

typ modelu:  
**RG2330WEU**

Kod handlowy:  
**13918**

## Informacje Główne

### Przewodnik Dokumentacji Technicznej

---

---

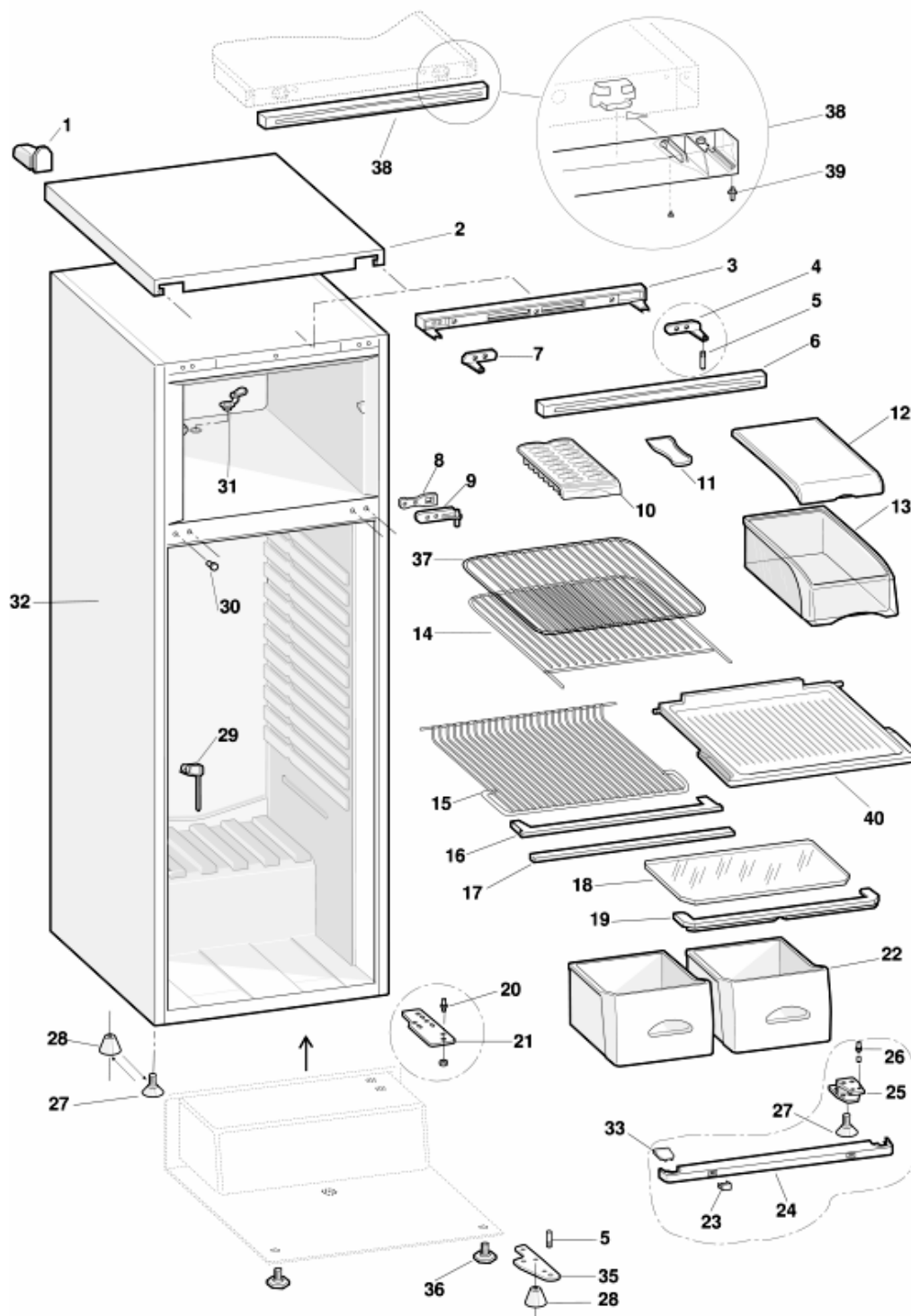
Możesz tutaj odnaleźć podstawowe informacje ułatwiające korzystanie z dokumentacji technicznej

1. Modele tej samej gamy posiadają wspólne rysunki, które przedstawiają najbogatszy zestaw części; generalnie wybrany model niekoniecznie posiadać będzie w spisie części wszystkie pozycje przedstawione na rysunku
  2. Niektóre części nie mogą być przedstawione bezpośrednio na rysunku (instrukcje użytkownika, zestawy montażowe itd.). Można je odnaleźć w liście części pod pozycją gdzie są zainstalowane lub pod pozycją 09
  3. W prawym górnym rogu każdego rysunku widnieje numer seryjny wskazujący początek produkcji danej gamy urządzeń. Niektóre modele mogą posiadać więcej niż jeden rysunek dla podanej kategorii, każdy inny dla różnych numerów seryjnych.
  4. Rysunki złożeniowe mogą wymagać dalszych uaktualnień po ich publikacji. Nowe części zostaną dodane do odpowiednich oznaczeń numerycznych rysunku. Oznaczenie kodowe modyfikacji rysunku zawarte jest w ostatnich 4 cyfrach numeru seryjnego przedstawionego w prawym górnym rogu rysunku.
  5. Lista części odnosząca się do danego rysunku zawiera spis części tylko dla wybranego modelu; dostępne są dodatkowe informacje dla każdej części.
- REF. Numer referencyjny do tabeli; SUBSTITUT: lista części które zastępują dany kod zachowując takie same charakterystyki funkcjonalne
- KOD HANDLOWY: lista wariantów modelu (pokazana w nazwie modelu) gdzie dana część jest zastosowana; UWAGA: kod informacji potrzebny do interwencji, prześledź zmiany aby poprawnie ustalić kod części
6. Niektóre notatki techniczne są ogólne dla danej sekcji, zatem nie mogą być związane tylko konkretną częścią. Aby poruszać się w dokumentacjach modelu sprawnie, pomocne jest czytanie notatek i monitorowanie uaktualnień dokumentacji.
  7. Okładka dokumentacji technicznej przedstawia model sprzętu oraz jego kod handlowy.

5142040

rysunki

Matr. 60108.0005



5142040

5142040

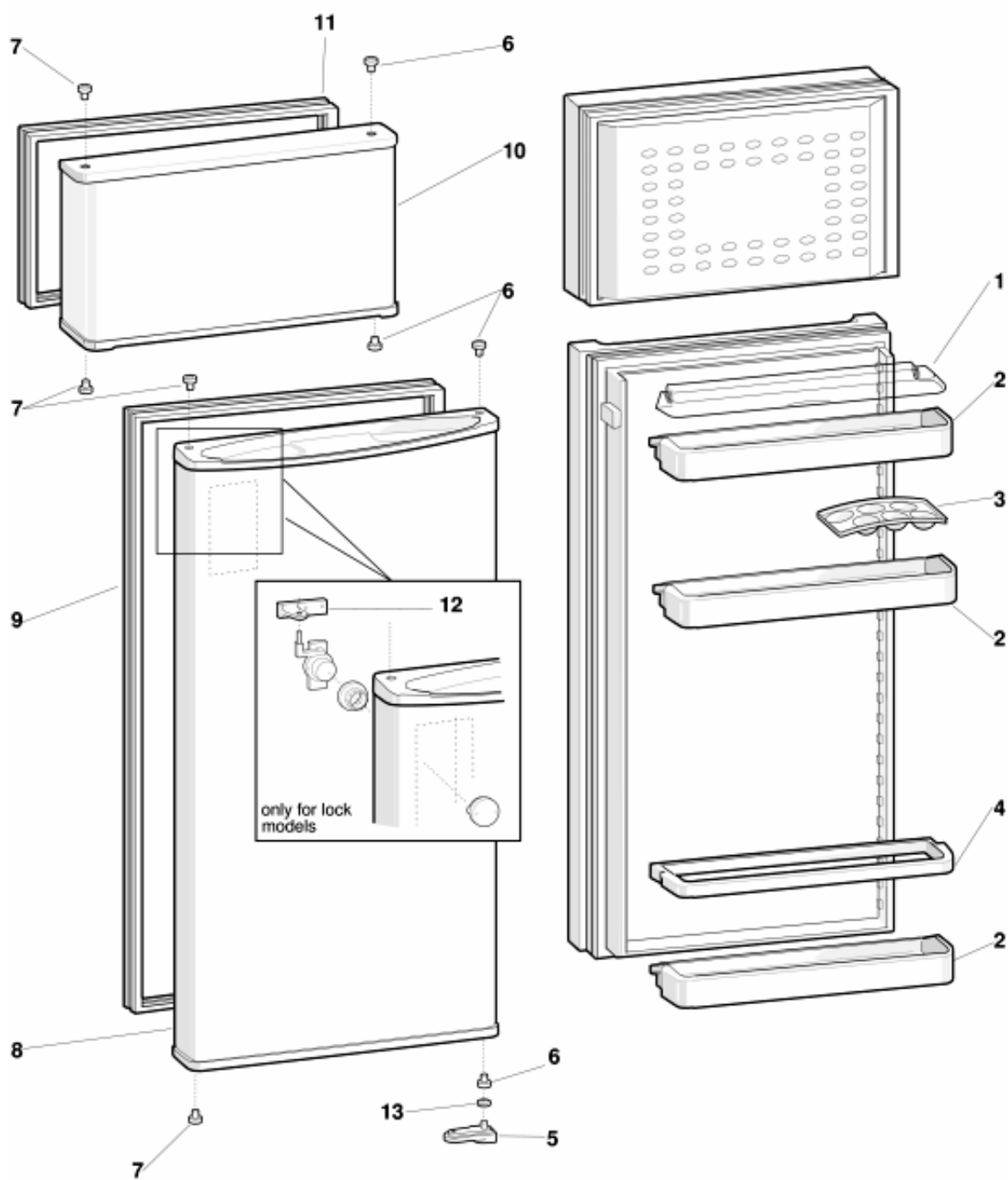
Lista części

Ref.	kod	Od S/N	Do S/N	Zamiennik	opis	Notatka	kod
000	C00048479				instruction booklet rg2330wi		
000	C00048797				instruction booklet rg2330wi		
001	C00017792				spacer - condenser		
002	C00046160				top cover 32x599x507 mm - white		
002	C00046503			1 x C00051956	cover white		
003	C00048494				dashboard giugiaro base white		
004	C00021991				zawias górny praw. m6		
005	C00015745				sworzeń zawiasu m6x (5+14)		
006	C00048491				dashboard giugiaro 598x32x32		
007	C00021990				hinge upper lh		
008	C00042673				non-slip packing (62x18x0,8)-		
009	C00042671				zawias środk. biały(otwory 6,5)		
009	C00603496			1 x C00053447	white central hinge		
010	C00048575				miseczka na lód biała giugiaro		
011	C00003261				skrobak do lodu (730412)		
012	C00048475			1 x C00114786	pokrywa pojemnik na mięso biała		
013	C00048474			1 x C00076121	meat holder grey-69 237x297x98		
014	C00046176				wire freezer shelf 478x392 - white		
015	C00045943				wire shelf (524x324x40) - white		
016	C00048476			1 x C00173190	trim 532x13x42 - wire shelf white		
018	C00046179				szkło pokrywy pojemn. na		
019	C00048477				profil pokrywy pojemn. na		
022	C00048478				crisper box (257x218x181) -		
023	C00046000				nakł. na otwór cokół biała		
024	C00048498				base - giugiaro white 594x29x48		
025	C00043862				hinge lower rh/lh - white		
026	C00023298				hinge pin - lower m6x(6+13)		
027	C00017771				foot 10x36- adjustable		
028	C00017766				docisk h=18 mm 'df230'		
029	C00022198				skrobak do chłodziarki		
030	C00031179				blanking plug 5mm - white		
031	C00017782				drain plug - freezer defrost water	0514044	
033	C00050307				blanking plug 39x46 - white		

51421b0

rysunki

Matr. 60108.0002



51421B0

51421b0

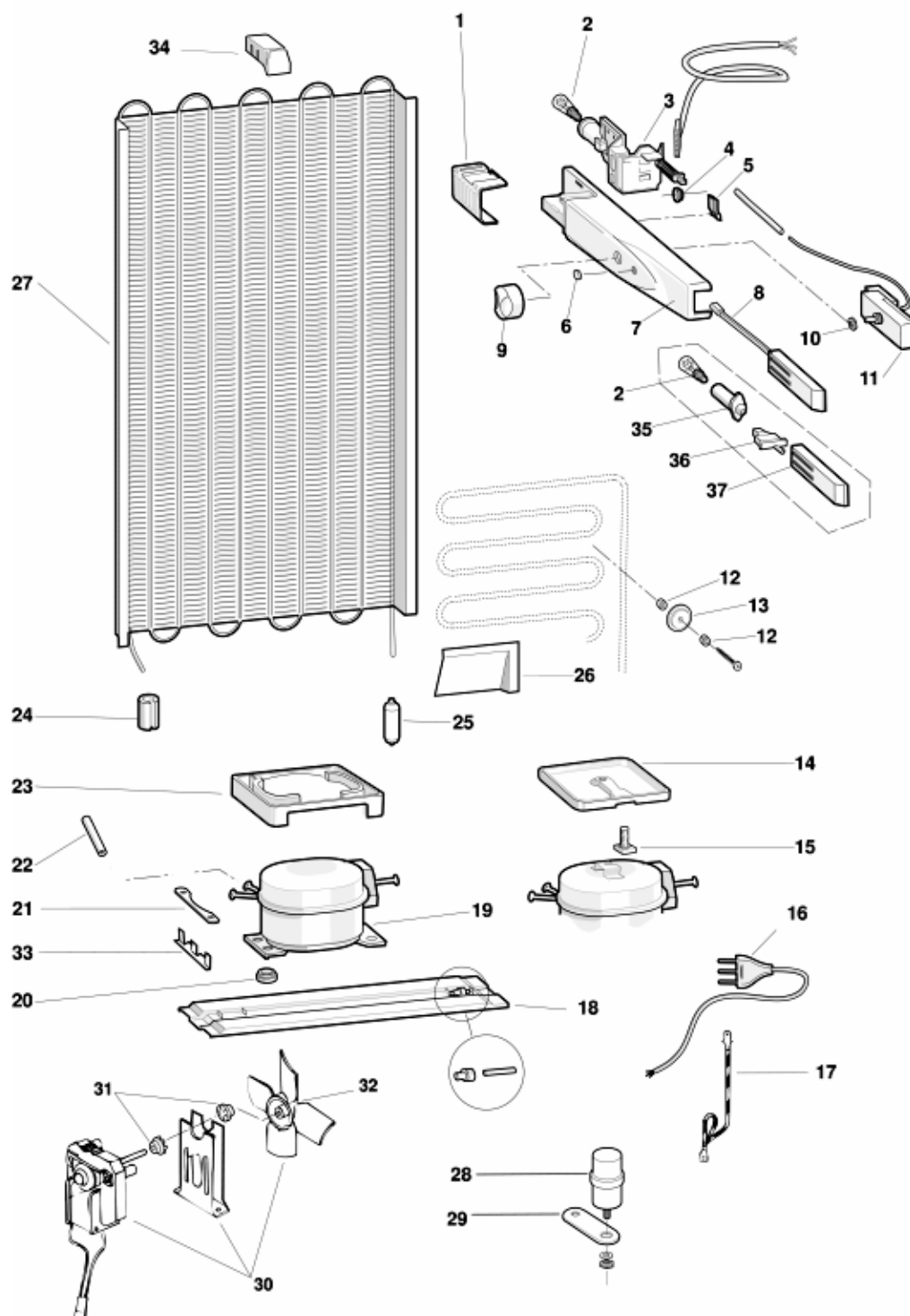
Lista części

Ref.	kod	Od S/N	Do S/N	Zamiennik	opis	Notatka	kod
001	C00048488				hinged box cover (502x36x99) -		
002	C00048490			1 x C00061746	shelf-giugiario white		
003	C00048489				eggs tray 6 - blue (giugiario)		
004	C00048484			1 x C00117254	ograniczn. butelek biał.		
006	C00021257				tulejka biała 3 mm		
006	C00022161				tulejka biała 4x15 mm		
006	C00024267				tulejka biała 7x21,5 mm		
006	C00040969				tulejka biała 2.5x16 mm		
007	C00045903			1 x C00114784	zatyeczka biał. do bus. h.14		
008	C00058459			1 x C00048480	refrigera. door giugiario		
				1 x C00048483			
009	C00048482			1 x C00055884	uszczelnienie drzwiczek biał.		
010	C00048480				freeze door-giugiario wxh		
011	C00048481			1 x C00030869	gasket door (576x389) p900		

5142220

rysunki

Matr .60108.0005



5142220

5142220

Lista części

Ref.	kod	Od S/N	Do S/N	Zamiennik	opis	Notatka	kod
001	C00048505				osłona żarówki (giugiario)		
002	C00006522				żarówka 220-240v/15w (e14)		
003	C00048508				oprawka żarówki fastex	0514056	
003	C00056734				oprawka żarówki fastex	0514056	
004	C00007225				ekspander		
005	C00009888				cable clamp		
006	C00022048				blanking plug (10,6mm) - white		
007	C00048503				obsada termostatu biał.	0514056 n1025065	
008	C00048501				push-button light w.110+103		
009	C00048507				pokrętko termostatu biał.-nieb.		
011	C00048510				termostat k59-l4091/077b-6811	0514048 0514056	
011	C00056790				termostat atea a03-0280 c.post	0514056	
012	C00041042				uszczel. ograniczn. czarn.oring		
013	C00043107				thermostat sensor disc fastex -		
014	C00009337				zbiorn.skropl. plastykowy		
016	C00008598				kabel zasil.3x0,75 eu mm 2500		
016	C00010097			1 x C00029307	supply cable 3x0,75		
017	C00601889				earthing cable		
018	C00013997				listwa poprz. sprężarki 586x110		
018	C00603487				compressor crosspiece 590x102		
019	C00042345				kompr.zem gl80aa 220-240/50	0514062	
019	C00047237			1 x C00034863 1 x C00042345	compressor esr 8,5 220-240/50		
020	C00032453				guma amortyzatora 'embraco em-		
021	C00008471				fixing plate - compressor (750908)		
022	C00042354				rura doprowadzająca d.e.6x90		
022	C00047351				suction compressor esr 8,5		
023	C00034863				zbiorn.skropl. kompresora zanussi		
023	C00048545				defrost water tray zanussi		
024	C00037341				anti vibration rubber bush		
025	C00042334				filtr tl.12 (d.1,95/d.4mm) gaz.		
026	C00034865				cover - pipe duct		
027	C00023282				condenser h=1000+200x591		



## Notatki

## 0514012: SEALS FOR DOORS FOAMED AS ONE PIECE

-----  
Various types of gaskets with different profile, as shown in figures (A) and (B), are used to fix the door (fig. A-5; B-5) and the inner door (fig. A-6; B-6) on the block foamed doors of combined freezers and refrigerators.

---Ilpea profile 245; 179; 412 (fig.A)

---Ilpea profile 287 (fig.B)

When replacing gaskets with profiles 245; 179; 412 these are fixed with screws (2 per corner) to the door.

Gaskets with profile 287 can not be used as spare parts but are designed to house the Ilpea type 900 gaskets (see figure C).

When replacing the gasket (287), once it is removed you will find a pocket (fig. B-1) between the door and inner door.

The rigid tooth (fig.C-1) of the gasket (900) is inserted inside between the pocket and the inner door, doing away with the need for screws.

Gasket with profile 287 is easy to identify since it has an exterior double edge (fig.B-2) which acts as a cushion when the door is closed.

To replace this gasket, follow these steps:

---Dismount the door and cut the four corners of the gasket along the joint (fig.D);

---lift the gasket and pull it carefully along its full length without tearing it (fig.E).

The purpose here is to detach the inner door slightly from the foam along the exterior edge for a depth equal to that of the gasket (fig.B-3);

---lift the corner of the inner door slightly, prising it up with your thumb (fig.F). Do not use a tool which might break the inner door;

---continue cutting the gasket inside the inner door for about 6 mm (fig.G);

---push in the tip of the pliers (type USAG N131) and pull outwards until you see the top edge of the pocket (fig. B-4) which is empty (fig.H-1);

---if you carry out this operation correctly (fig.L) you will be able to pull off the top edge of the pocket for the full length of the door.

If the gasket tears before the top edge (fig. L-2) you should repeat this operation from the other corner of the door.

---once the gasket (287), has been removed the space above the pocket (fig. L-1) can house the rigid tooth (fig. C-1) of the gasket 900.

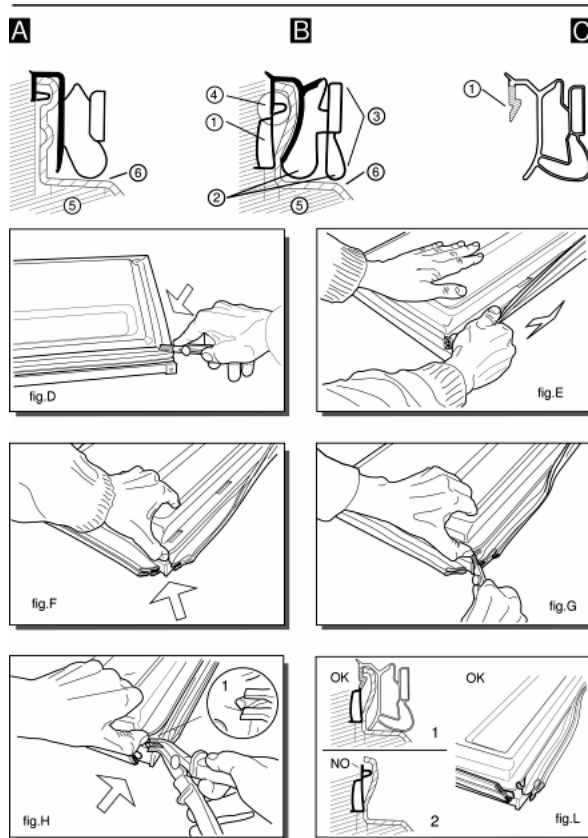
When you fit this gasket ensure that it lies flush against the edge for the full length of the door.

If the rigid tooth is difficult to fit, eliminate any residues of foam between the door and the inner door in the gasket area.

fig.5131549A

## 0514030: KIT FOR FAN MOTOR WITH PART NO. 042301 (SAT)

-----  
As from July-94, Kit 042301 for the 220-240 Volt 50-60 Hz electric fan unit, is supplied as a spare part. This should be used for recessed and free standing appliances with bad performance in the refrigerator compartment and thermostats whose cycles do not



run, even when set to minimum.

Naturally, the problem is not caused by the discharge circuit, but by unstable operating conditions with a high room temperatures. The electric fan should be mounted on the compressor cross-piece or on the plastic base (94-range), as shown in the drawing provided with the kit.

It is important to place the fan in an "open" position because air must be drawn from the interior and discharged to the exterior through the condenser flue.

#### Important

The fan should never be positioned facing the terminal board of the compressor, because it would cool the klixon and prevent this from operating correctly.

Before returning the appliance into its original position, check that the fan turns freely, removing obstacles such as cables, pipes or capillaries.

The electric connection of the electric fan should be made on the terminal board of the compressor, using the contact of the black wire (thermostat return) and the contact of the blue wire (neutral).

The following kit components are also available as individual spare parts:

- 032385 - fan motor support
- 025215 - fan motor rubber part
- 025218 - motor fan (MES)
- 032384 - fan motor DX (MES)

## 0514044: ELIMINATED FREEZER DRAIN HOLE

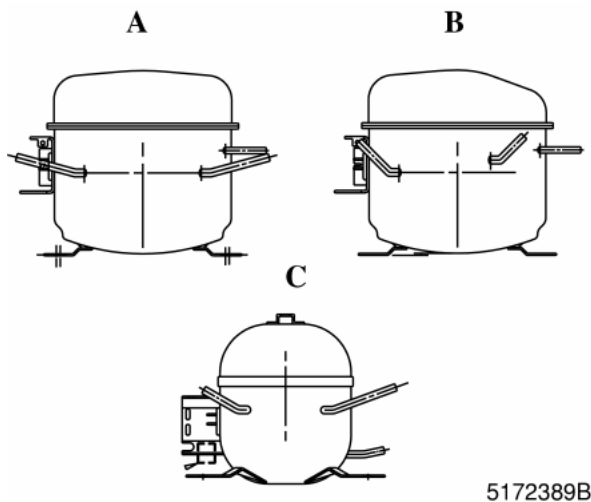
Beginning with production in March-April '98, the shell of the Zanussi compressors (R134A gas, 220-240V 50Hz) has been changed from type (A) to type (B) for the following models:

GL60AA, GL80AA, GL70AA, GL75AA, GL90AA, GL99AA. (See fig.5172389B).

On all the type (B) compressors (including the GL45AN,

GL60AN, GL80AN, HL80AH and HI90AH models), the waste water evaporator with part no. 009337 will be used. It will be fastened to the compressor shell using silicone.

On the type (A) compressors, the waste water evaporator with part no. 034863 will be pressure mounted onto the compressor. The type (C) Zanussi compressors (see fig.5172389B) include the U bolt welded to the compressor shell. For these models, the waste water evaporator with part no. 171558, designed to be fastened to the U bolt and the shell of the compressor, used to be fitted. Beginning in the month of June, the waste water evaporator with part no. 009337 will also be used for the models with the U bolt. .figins 5172389B



#### 0514048: SOST.TERMOST. 038652 CON 053428 RG2330W

Beginning with the production in June-97 (serial no.706300001) of the Indesit fridges (2-door; 335 litres; aesthetic rounded width of 600 mm), models RG2330WEU - RG2330TI - RG2310WDI a new Ranco K59-L4113 (053428) thermostat is installed, different than the (048510) Ranco K59-L4087; K59-L4091 used for colder settings.

The thermostat (K59-L4087/K59-L4091) calibrations are listed below:

MINIMUM Setting : start +4 °C ; stop -13,5 °C

MAXIMUM Setting : start +4 °C ; stop -28 °C

The thermostat (K59-L4113) calibrations are listed below:

MINIMUM Setting : start +4 °C ; stop -16 °C

MAXIMUM Setting : start +4 °C ; stop -30 °C

#### 0514056: LAMP HOLDER ITW FASTEX WITH ATEA THERMOSTAT

Beginning with production in April '98 (serial no.804270001), the refrigerators with the Giugiaro thermostat box (048503) or the Scholtes box (048679), can have as an alternative to the ITW fastex lamp holder, designed for the Ranco thermostats, the type designed for the Atea thermostats.

The ITW fastex lamp holders have the letter "R" for Ranco (048508) or the letter "A" for Atea (056734).

The Atea and Ranco thermostats, therefore, are not directly interchangeable. However, they can be interchanged when their respective lamp holders are replaced as well.

## 0514062: NEW DRIP WATER TRAY (009337) FOR ZANUSSI

---

Beginning with production in March-April '98, the shell of the Zanussi compressors (R134A gas, 220-240V 50Hz) has been changed from type (A) to type (B) for the following models:

GL60AA, GL80AA, GL70AA, GL75AA, GL90AA, GL99AA. (See fig.5172389B).

On all the type (B) compressors (including the GL45AN,

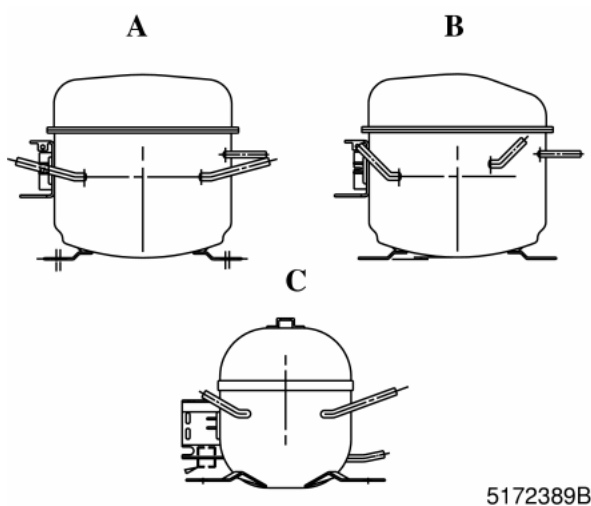
GL60AN, GL80AN, HL80AH and HI90AH models), the waste water evaporator with part no. 009337 will be used. It will be fastened to the compressor shell using silicone.

On the type (A) compressors, the waste water evaporator with part no. 034863 will be pressure mounted onto the compressor.

The type (C) Zanussi compressors (see fig.5172389B) include the U bolt welded to the compressor shell. For these models, the waste water evaporator with part no.

171558, designed to be fastened to the U bolt and the shell of the compressor, used to be fitted.

Beginning in the month of June, the waste water evaporator with part no. 009337 will also be used for the models with the U bolt.



## n1025065: Giugiaro-Vossloh thermostat box kit (low Ambient Temp. +16°C)

---

As of February-2001 (serial no. 10201.0001), the "thermostat box KIT for low ambient temperatures" is being handled with part number 076283 and is to be used on Indesit brand double-door refrigerators that have the Giugiaro thermostat box fitted on them (048503 - 066297).

The kit should be used exclusively to solve those problems obtained due to the poor performance of the freezer due to an ambient temperature below +16°C.

The kit is innovative, as it has a 6.6 Watt resistance fitted inside the thermostat box that should be activated by the toggle switch with a rubber protection situated underneath the thermostat knob. The switch is activated when the ambient temperature drops below +13°C (contacts closed. See the wiring diagram included in the kit).

This resistance heats up and enables the thermostat to be reactivated, thereby allowing the appliance to operate correctly.

On the thermostat box, the resistance is glued onto an aluminium plate (152x42) itself glued to the box.

When replacing the thermostat box, no components should be re-used, and this includes the wiring.

The wiring in the kit has terminals with fastons for connecting them to the compressor's terminal board; in the event of different solutions, then make the suitable adjustments as necessary.

Moreover, the thermostat box in the kit was obtained from the Giugiaro one (066229) with the Vossloh lamp holder and the Eltek switch. On this box, the position of the fixing hole was moved 15 mm up; therefore, on the models that are fitted with the Giugiaro thermostat box (048503), the hole on the cabinet should be remade before mounting the kit.

Moreover, on the models that use the hidden bulb thermostats, the position of the mark should be remade on the thermostat in the kit and, if necessary, the sheath protecting the bulb should be removed.

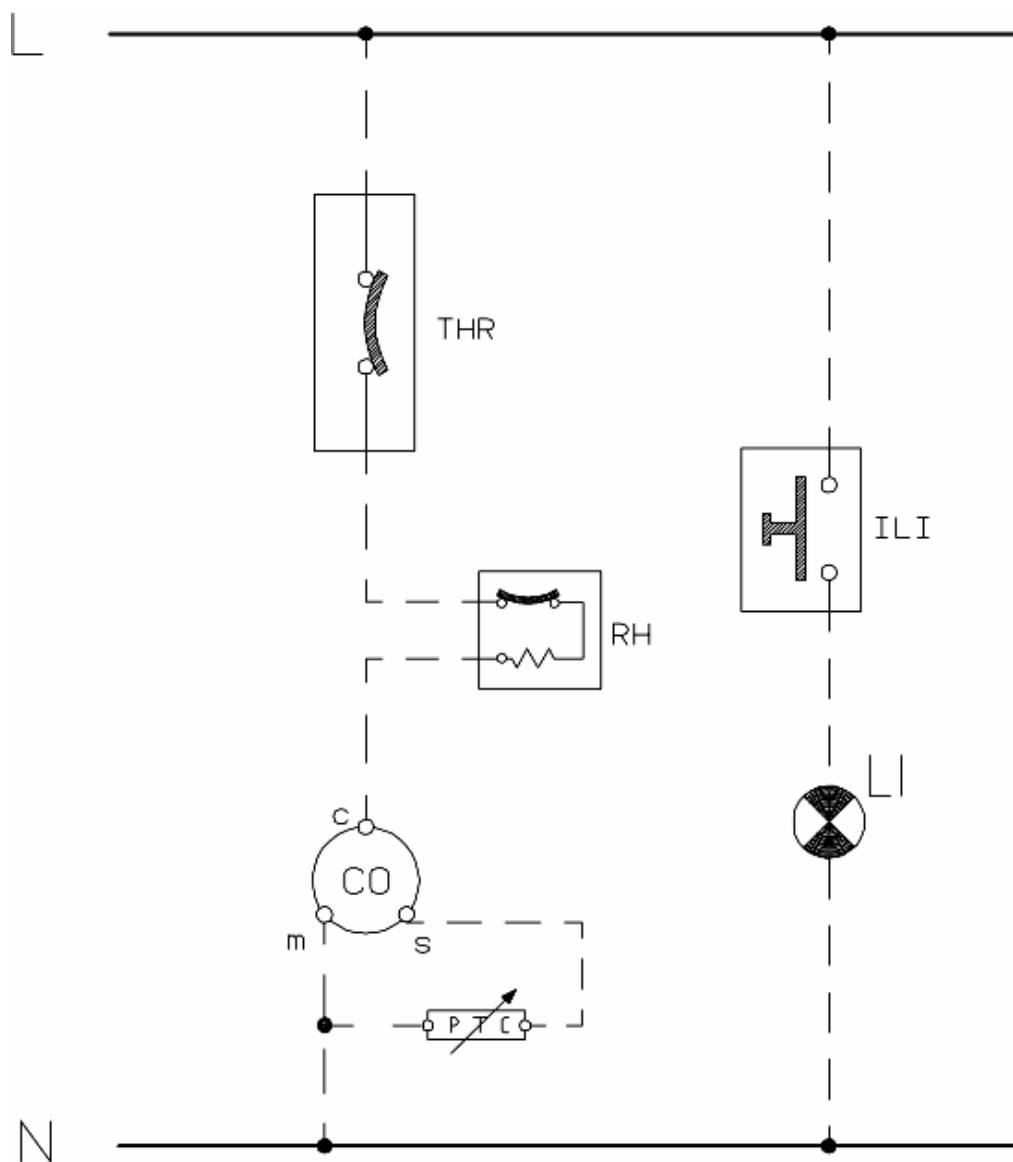
This is a list of the parts that make up the kit that are handled as spare parts:

New parts

066295 - LAMP HOLDER (VOSSLOH) 250V E14  
066296 - GIUGIARO-VOSSLOH WHITE SWITCH ROD (L.110)  
066294 - LIGHT SWITCH 250V NC (ELTEK)  
048507 - WHITE-BLUE GIUGIARO THERMOSTAT KNOB  
039131 - A13-0184/091X6483 CENTER POST THERMOSTAT  
009888 - CABLE CLAMP  
006522 - 220-240V/15W LAMP (E14)  
048505 - LAMP COVER (GIUGIARO)  
076442 - 6.5/7.7 W 220/240V RESISTANCE (FASTON)  
032399 - TOGGLE SWITCH PROTECTION (21X15)  
032395 - TOGGLE SWITCH 250V S.A1 (21X15)

Schematy elektryczne i linki

Cod. 514003b



## Legenda

Legenda: 514003b

CM	Running capacitor	N	Neutral
CO	Compressor	PTC	PTC relay
FA	Radio anti-trouble filter	R	Heating resistance
IDS	Schackler with warning	RA	Ammetrical relay
ILFR	Push-button for fridge lamp/fan	RAN	Heating element condensation
ILFZ	Push-button for freezer lamp/fan	RFZ	Heating element condensation freezer
ILI	Lamp switch	RH	Thermal relay
IP	Door switch	RS	Defrosting resistance
IR	Line switch	RS1	Defrosting resistance no-frost evaporator
ISC	Warning light-freezing switch	RS2	Defrosting resistance no-frost gutter
IV	Fan-motor switch	SDC	CONTROL CARD DIAGRAM
L	Line	SL	Line warning
LFR	Fridge lamp	SND1	PROBE REFRIGERATOR EVAP.
LFZ	Freezer lamp	SND2	AIR-PROBE FREEZER
LI	Lighting lamp	SND3	AIR-PROBE REFRIGERATOR
M	Mass/Eart symbol	T	Earth
MO	Terminal board	TC	Turbocooling
MT	Timer motor	TF	Fuse-thermic
MV	Fan motor	THI	Thermostat switch
MVCO	Compressor compartment fan	THR	Adjustable thermostat