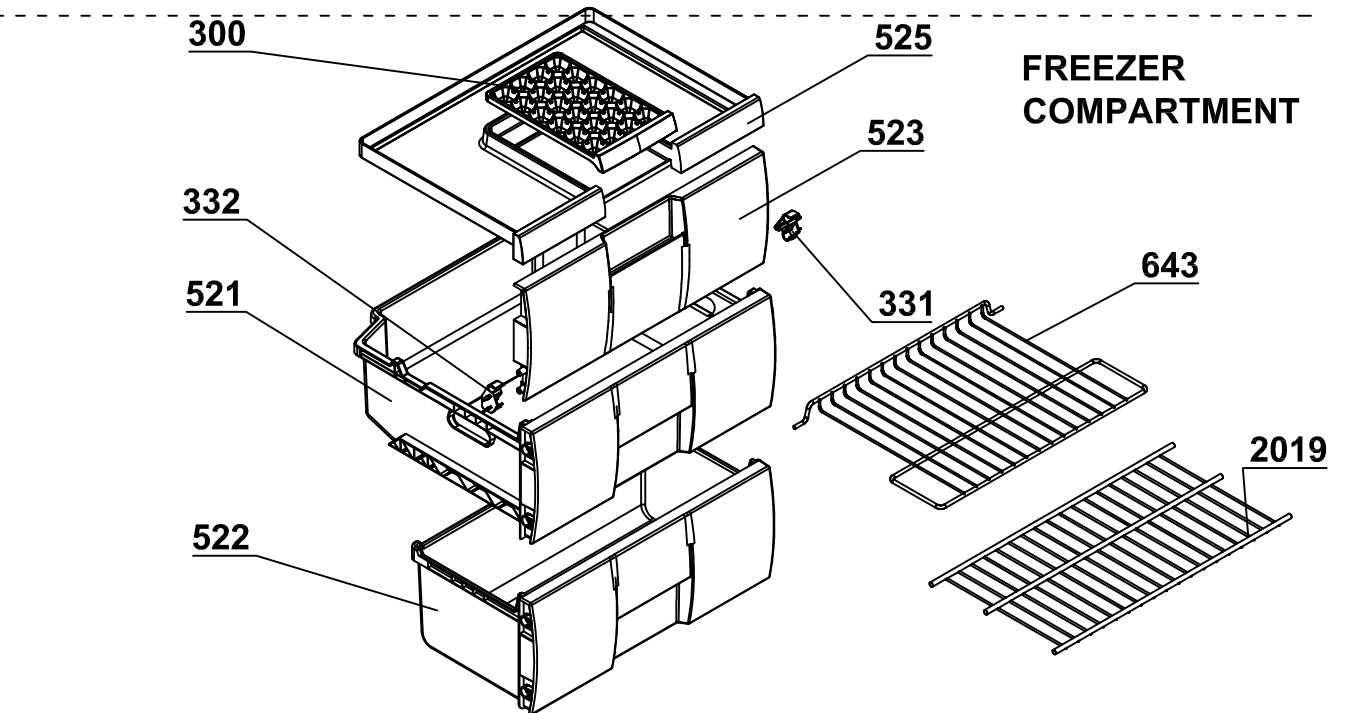


**REFRIGERATOR  
COMPARTMENT**



**FREEZER  
COMPARTMENT**

*Product code:*  
**7513820045**

*Model:*  
**COMBI K60320N**

*Appendix:*  
**3**

**ALC 321NF ALTUS**

*Tanase Bogdan - PDD*

*Revision: 01*

*06.06.2013*