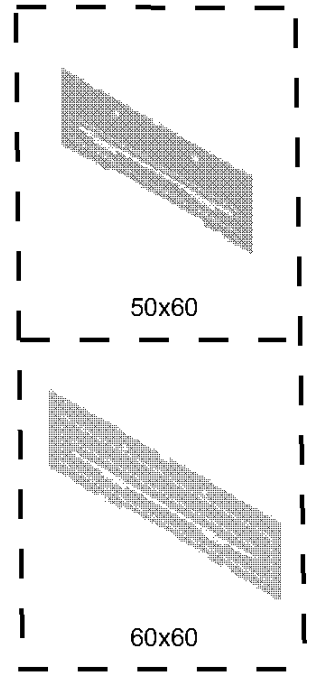
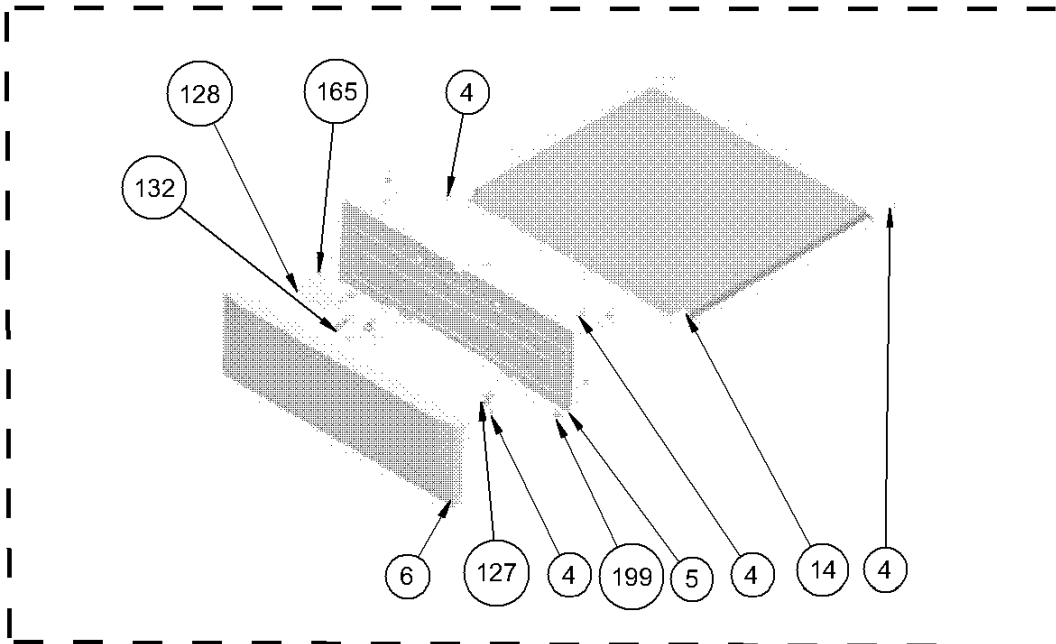


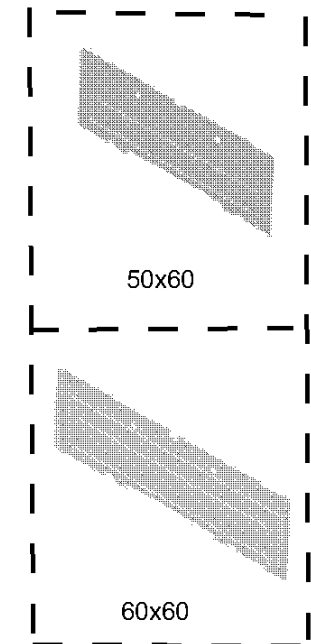
WARMER DRAWER ASSEMBLY



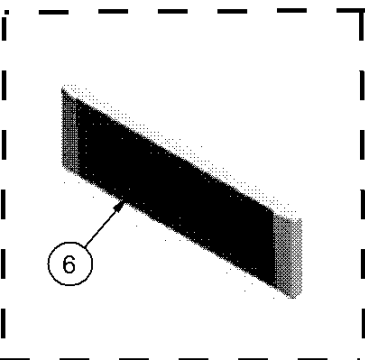
WARMER DRAWER  
INNER COVER



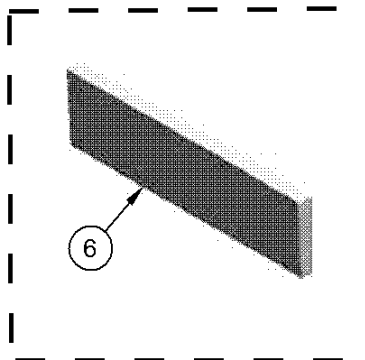
FLAP DRAWER ASSEMBLY  
(OPTIONAL)



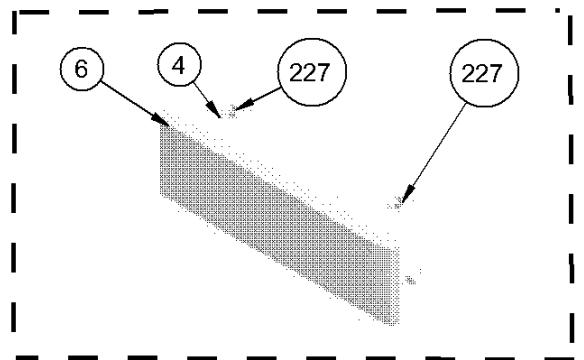
FLAP DRAWER  
INNER COVER



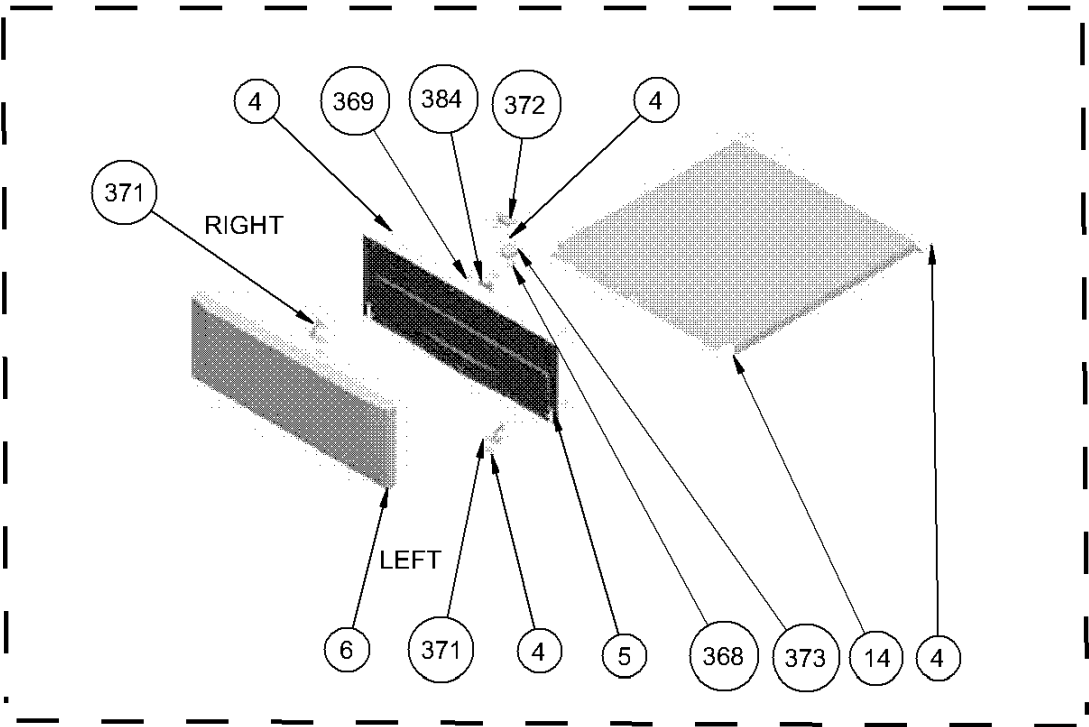
3D GLASS DRAWER PANEL  
(OPTIONAL)



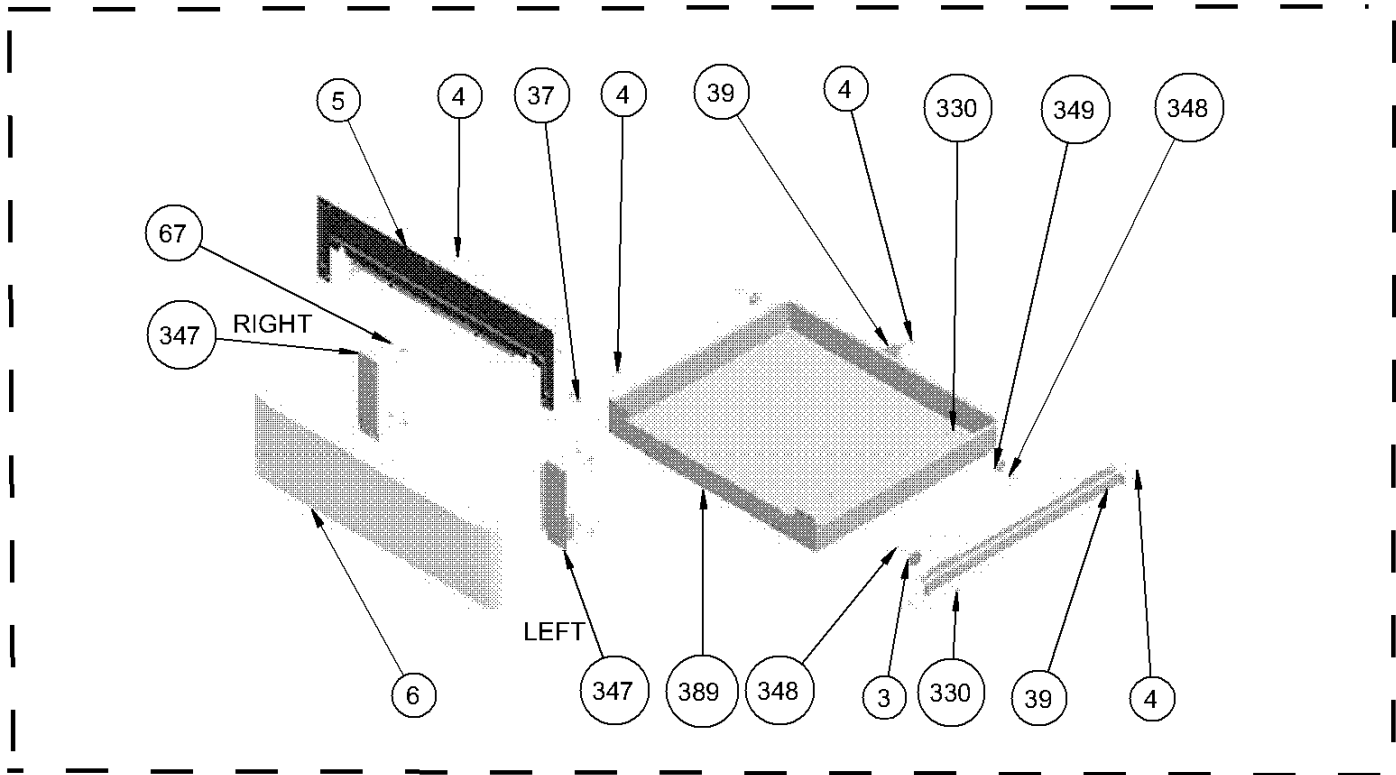
FLAT DRAWER PANEL  
(OPTIONAL)



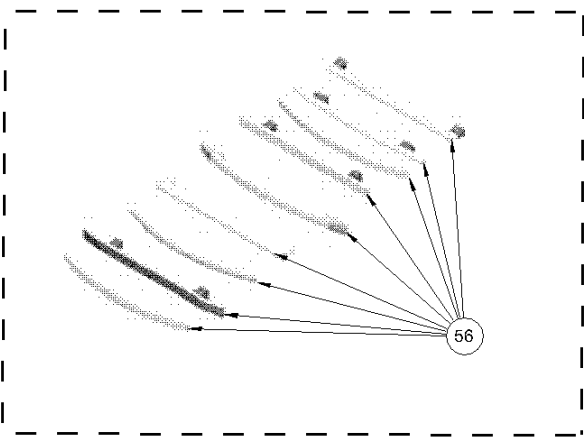
FIXED DRAWER ASSEMBLY  
(OPTIONAL)



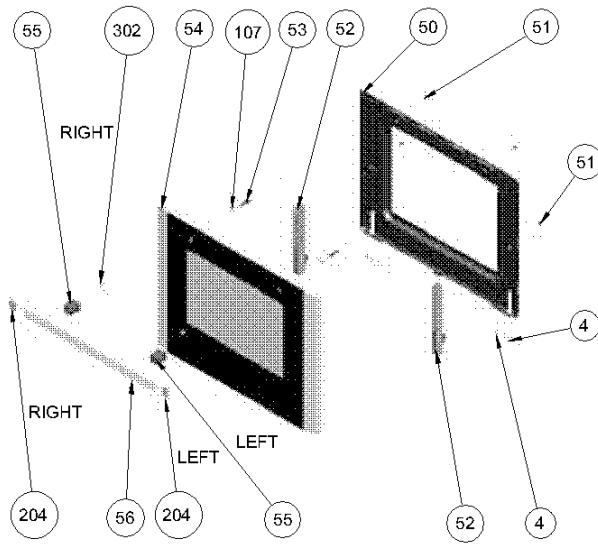
PUSH-PULL FLAP DRAWER ASSEMBLY  
(OPTIONAL)



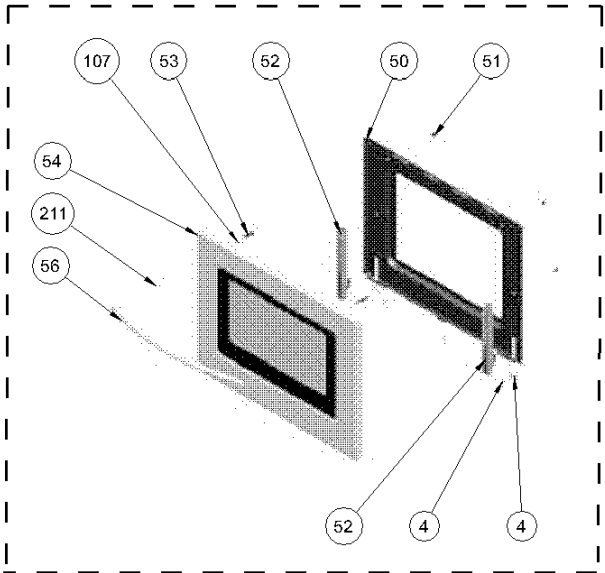
4WG DRAWER ASSEMBLY  
(OPTIONAL)



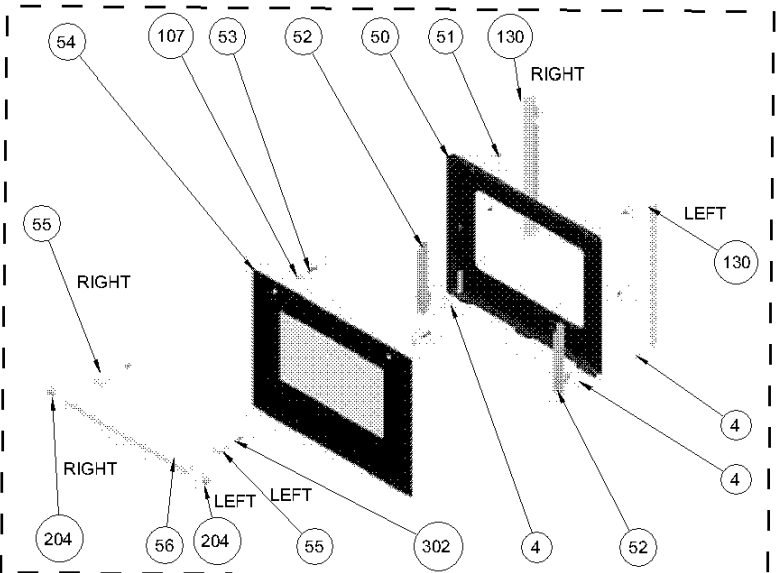
OVEN DOOR HANDLES  
(OPTIONAL)



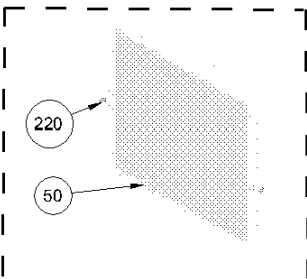
3D OVEN DOOR  
(POSITION NO 374)



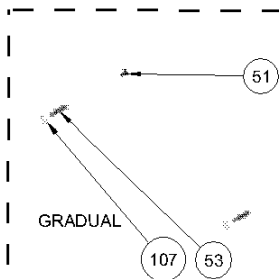
SOLID TYPE  
(OPTIONAL)  
(POSITION NO 375)



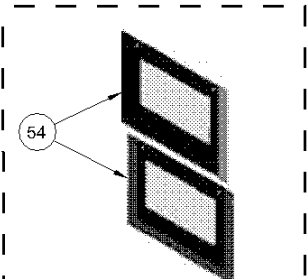
FLAT TYPE OVEN DOOR  
(OPTIONAL)  
(POSITION NO 376)



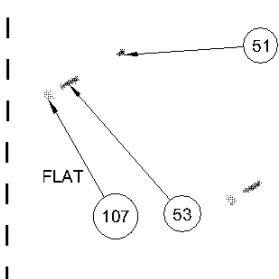
INTERVAL GLASS  
(OPTIONAL)



GRADUAL

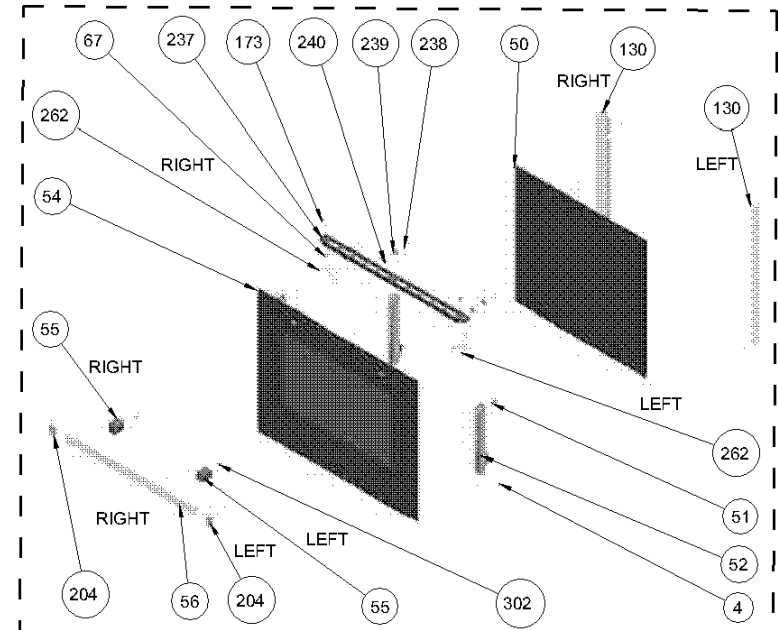


OVEN DOOR OUTER GLASS ASSEMBLY  
WITH INOX ADD-ON TYPES  
(OPTIONAL)



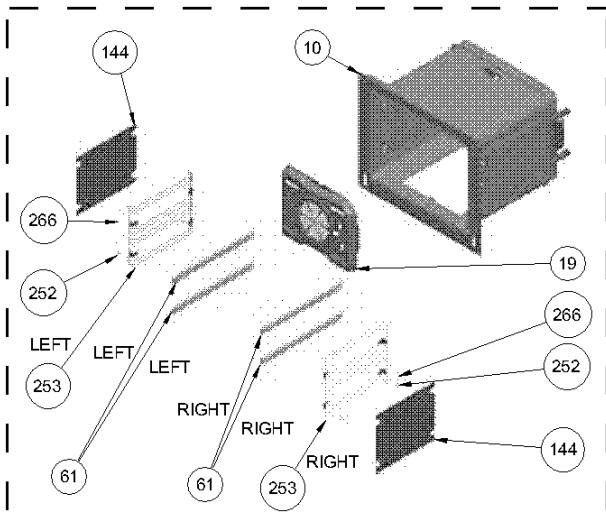
FLAT

HANDLE ASSEMBLY GROUP  
(OPTIONAL)  
(POSITION NO 49)

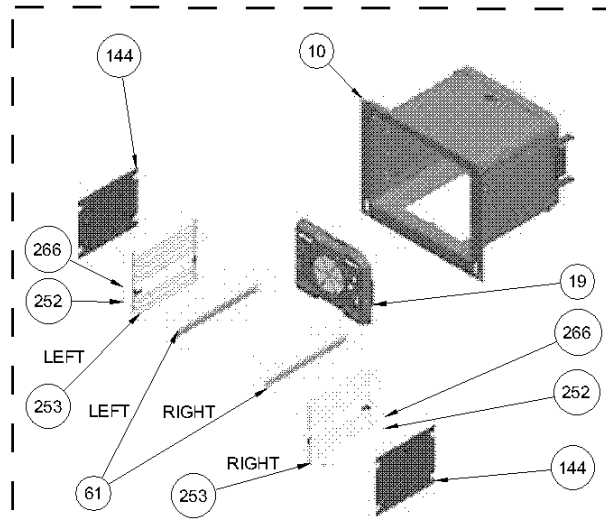
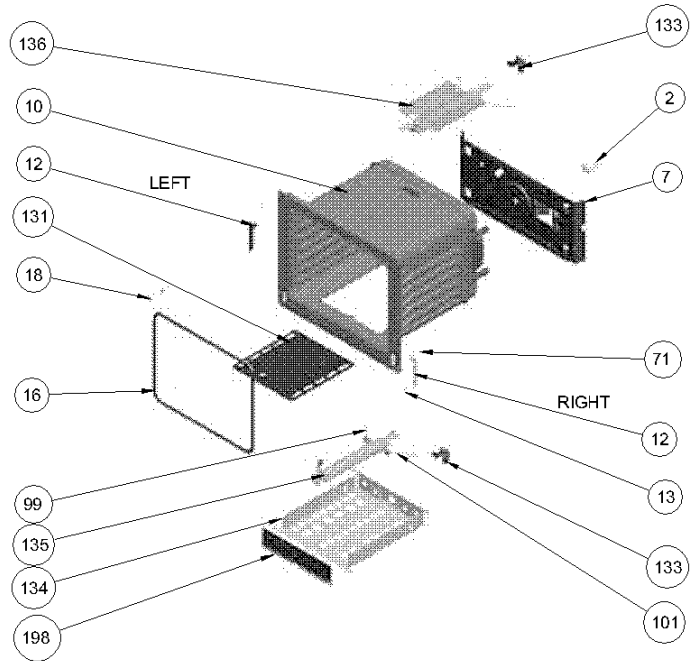


FLAT OVEN DOOR WITH FULL GLASS STRUCTURE  
(OPTIONAL)  
(POSITION NO 377)

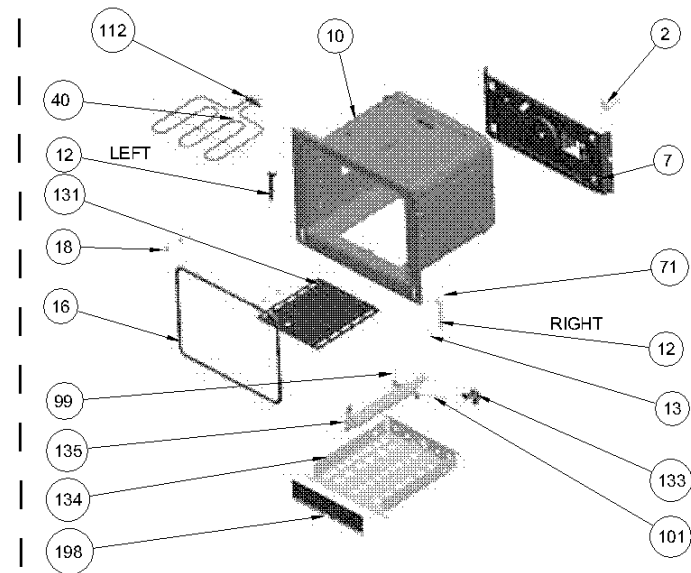
\*Metal frames on outer glass, handle types, handle taps and brackets are optional. Your cooker may be different cosmetically.



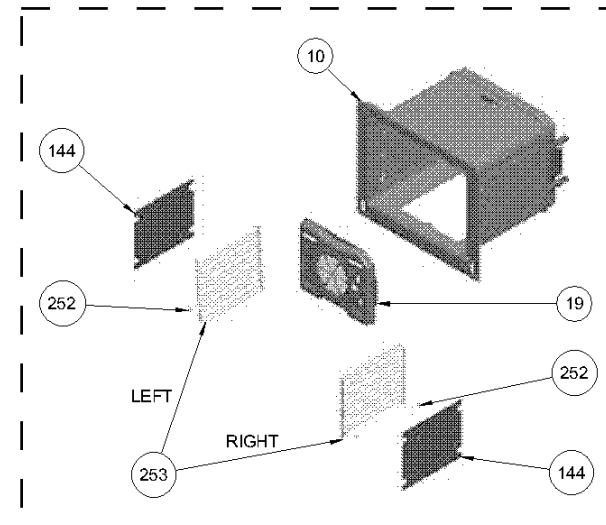
WIRE SHELF CAVITY ASSEMBLY WITH / WITHOUT CATALYTIC PANEL  
 OPTIONAL : DOUBLE TELESCOPIC RAILS (R / L)



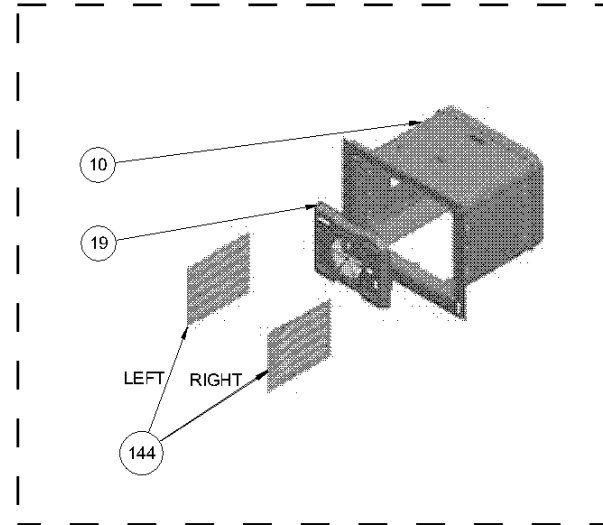
WIRE SHELF CAVITY ASSEMBLY WITH / WITHOUT CATALYTIC PANEL  
 OPTIONAL : TELESCOPIC RAIL (R / L)



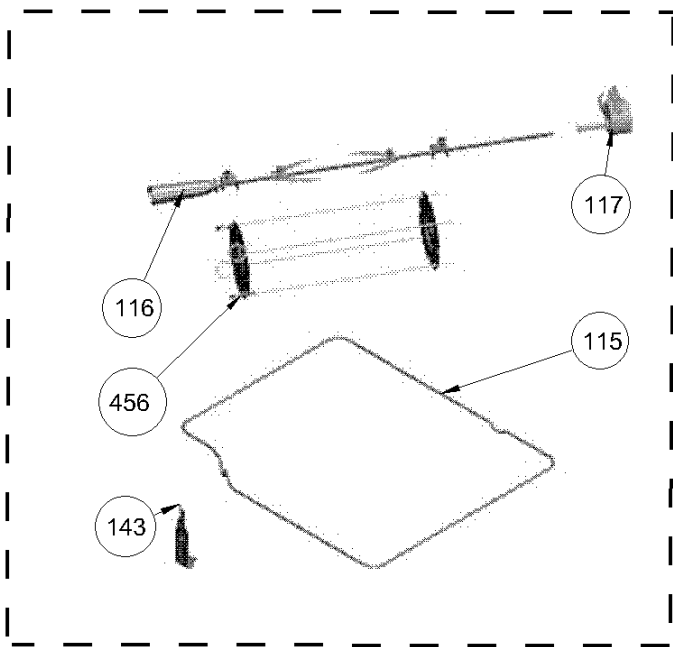
( OPTIONAL ONLY FOR ELECTRIC GRILL FS GAS )



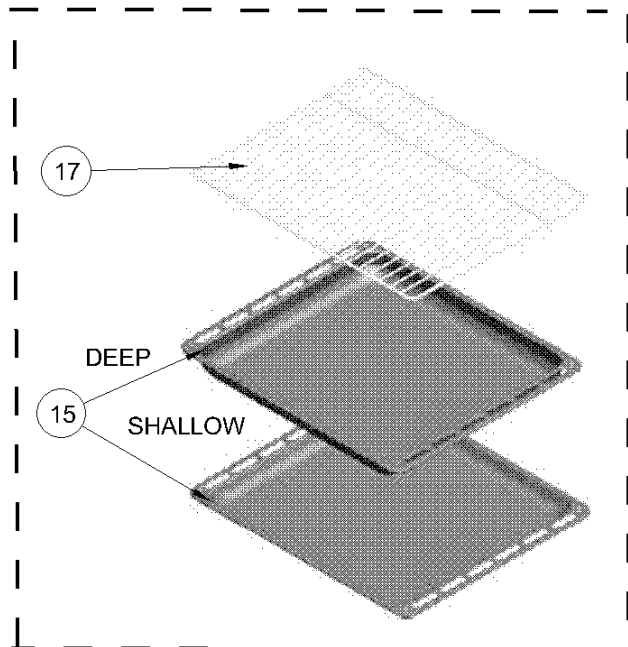
WIRE SHELF CAVITY ASSEMBLY WITH / WITHOUT CATALYTIC PANEL  
 (OPTIONAL)



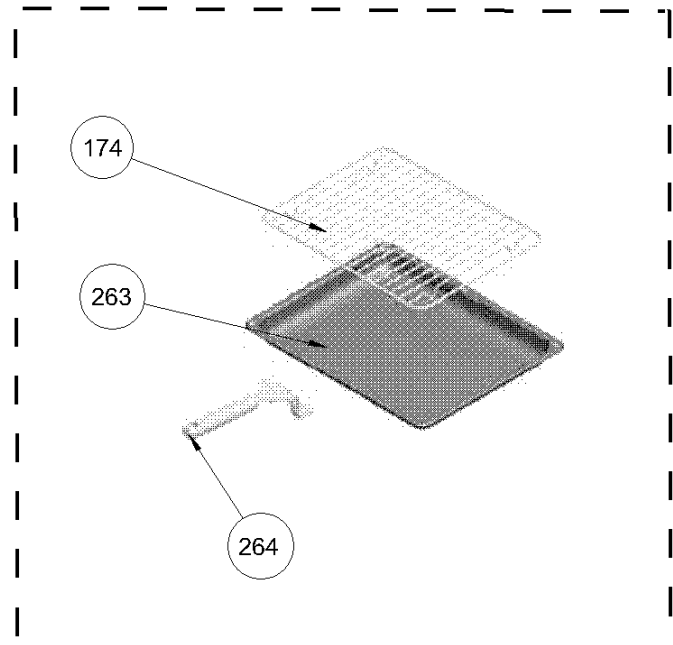
CAVITY ASSEMBLY WITH CATALYTIC PANEL  
 (OPTIONAL)



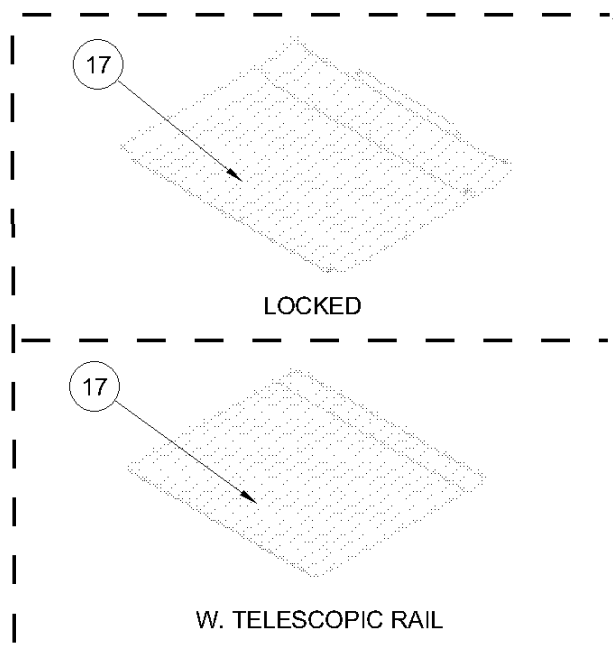
TURNSPIT (OPTIONAL)



TRAYS & GRID (OPTIONAL)

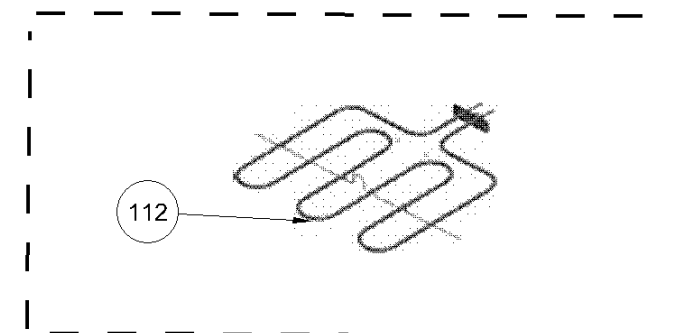


TRAY SET FOR GRID (POSITION NO : 265) (OPTIONAL)

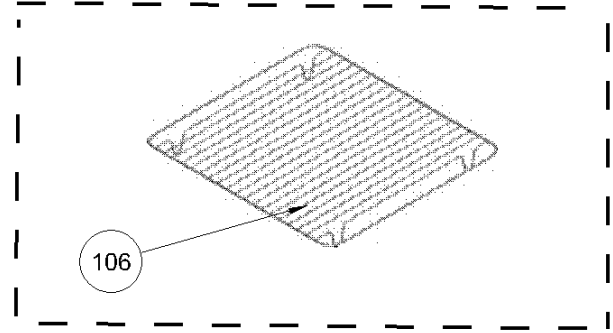


W. TELESCOPIC RAIL

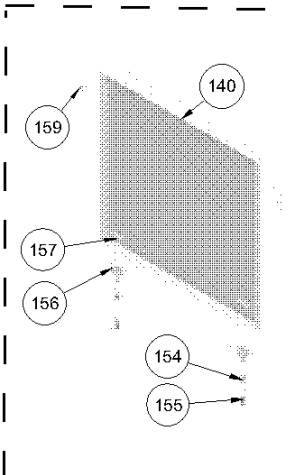
GRID (OPTIONAL)



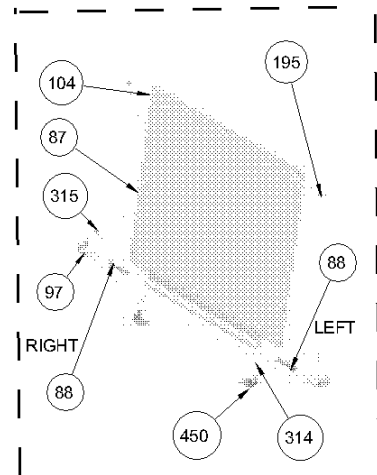
TOP AND GRILL HEATING ELEMENT (OPTIONAL ONLY FOR ELECTRIC GRILL FS GAS)



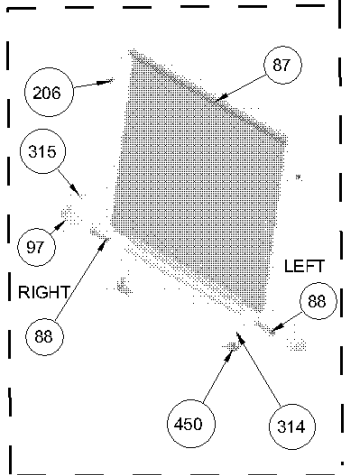
DEEP TRAY GRID (OPTIONAL)



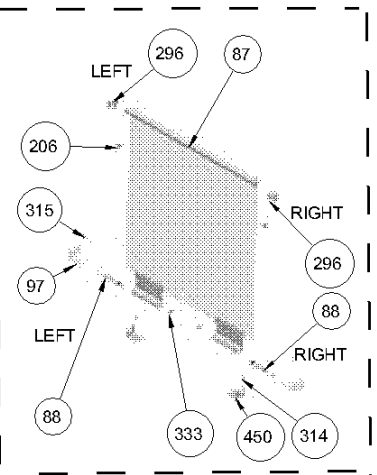
METAL LID OPTIONAL  
(POSITION NO 153)



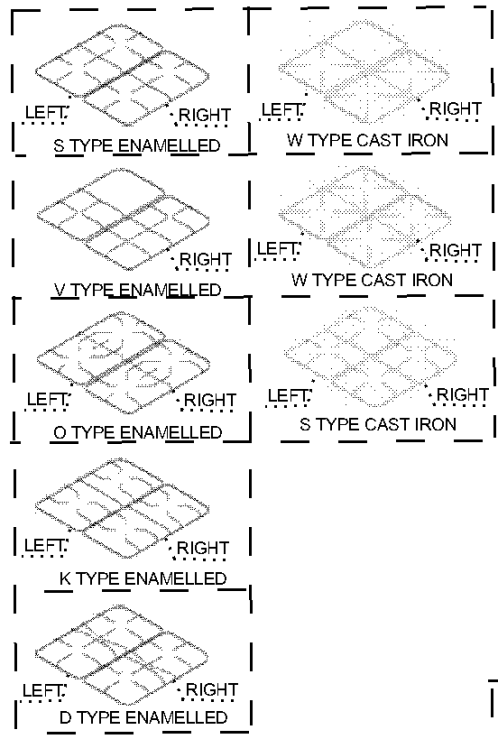
GLASS LID WITH BUMPER OPTIONAL



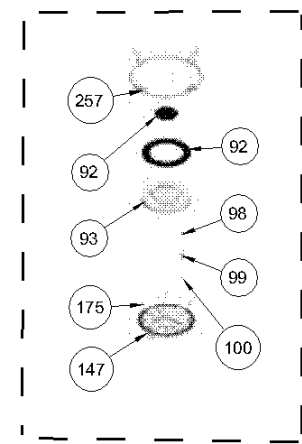
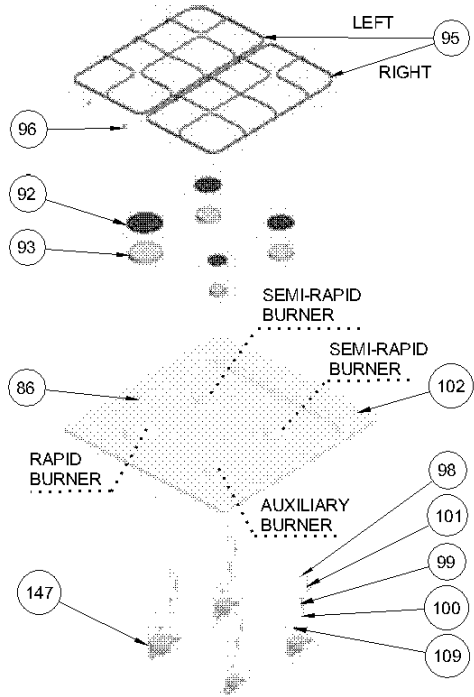
GLASS LID OPTIONAL



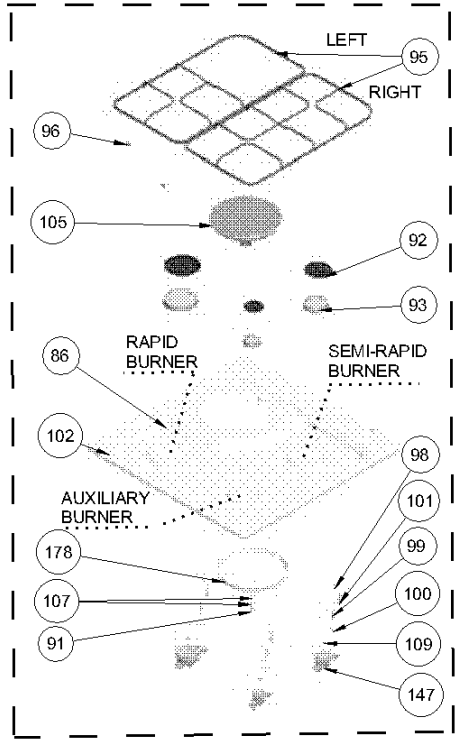
GLASS LID WITH SHORT PROFILE OPTIONAL



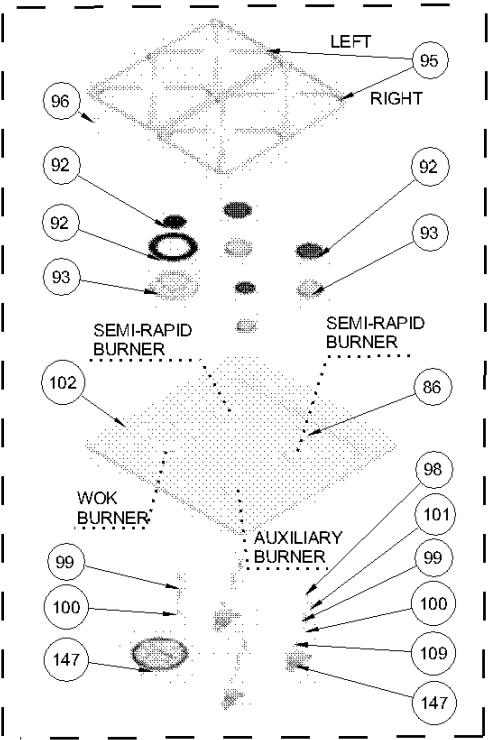
PAN SUPPORTS (OPTIONAL)



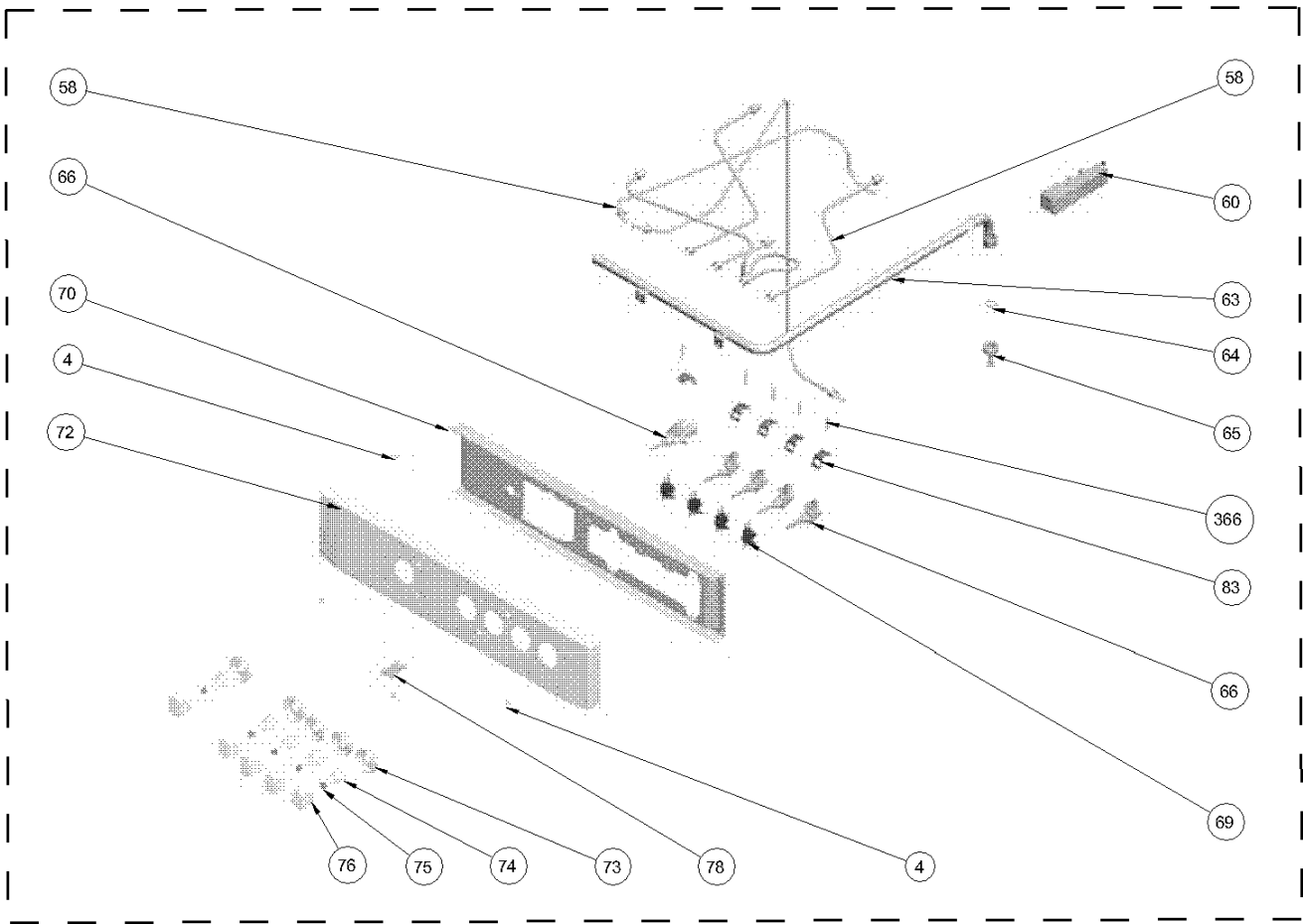
WOK BURNER (OPTIONAL)



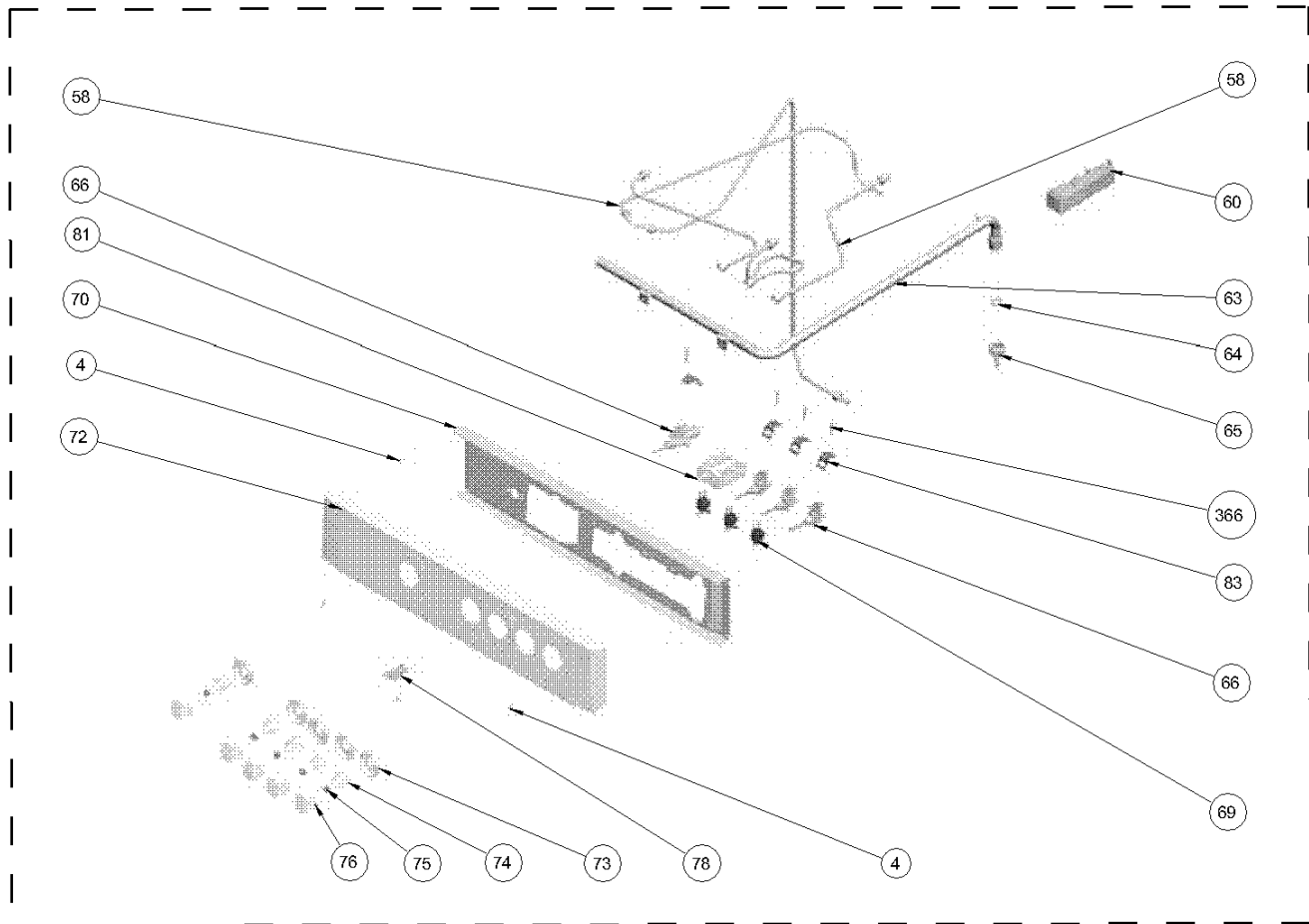
3 GAS 1 ELECTRIC



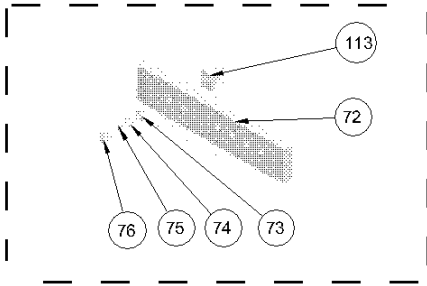
3 GAS + WOK BURNER



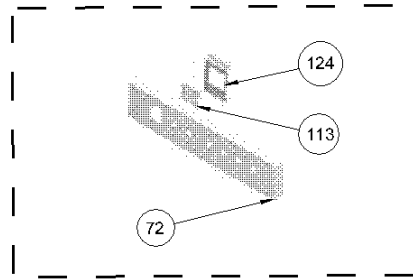
4G CONTROL PANEL ASSEMBLY



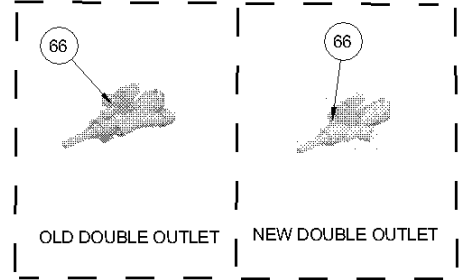
3G-1E CONTROL PANEL ASSEMBLY



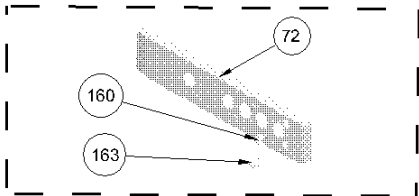
MECHANIC TIMER  
(OPTIONAL)



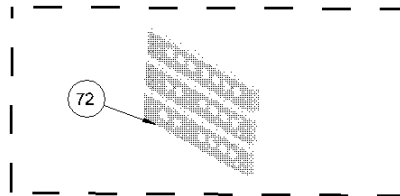
ANALOG TIMER  
(OPTIONAL)



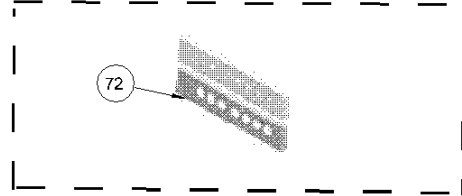
OVEN VALVES FOR  
FFD, WITHOUT THERMOSTAT



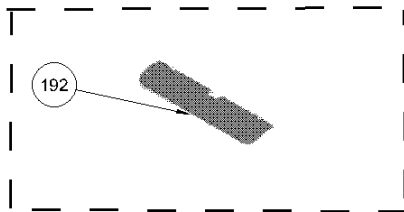
SPARK/LAMP BUTTON (OPTIONAL)



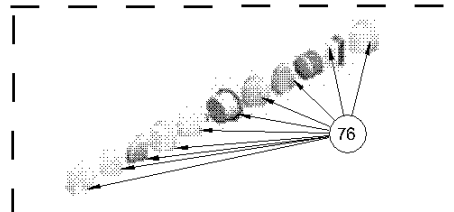
3D METAL CONTROL PANELS  
(OPTIONAL)



FLAT METAL CONTROL PANELS  
(OPTIONAL)

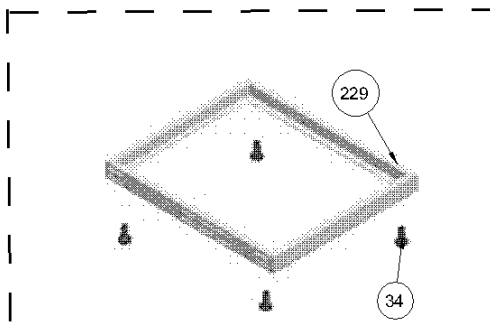


GRILL HEAT COVER (OPTIONAL)

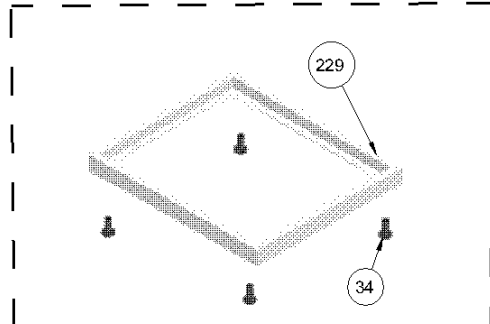


KNOBS (OPTIONAL)



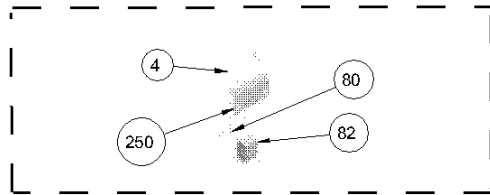


EXTRA BOTTOM SUPPORT (WITH LOUVRES)

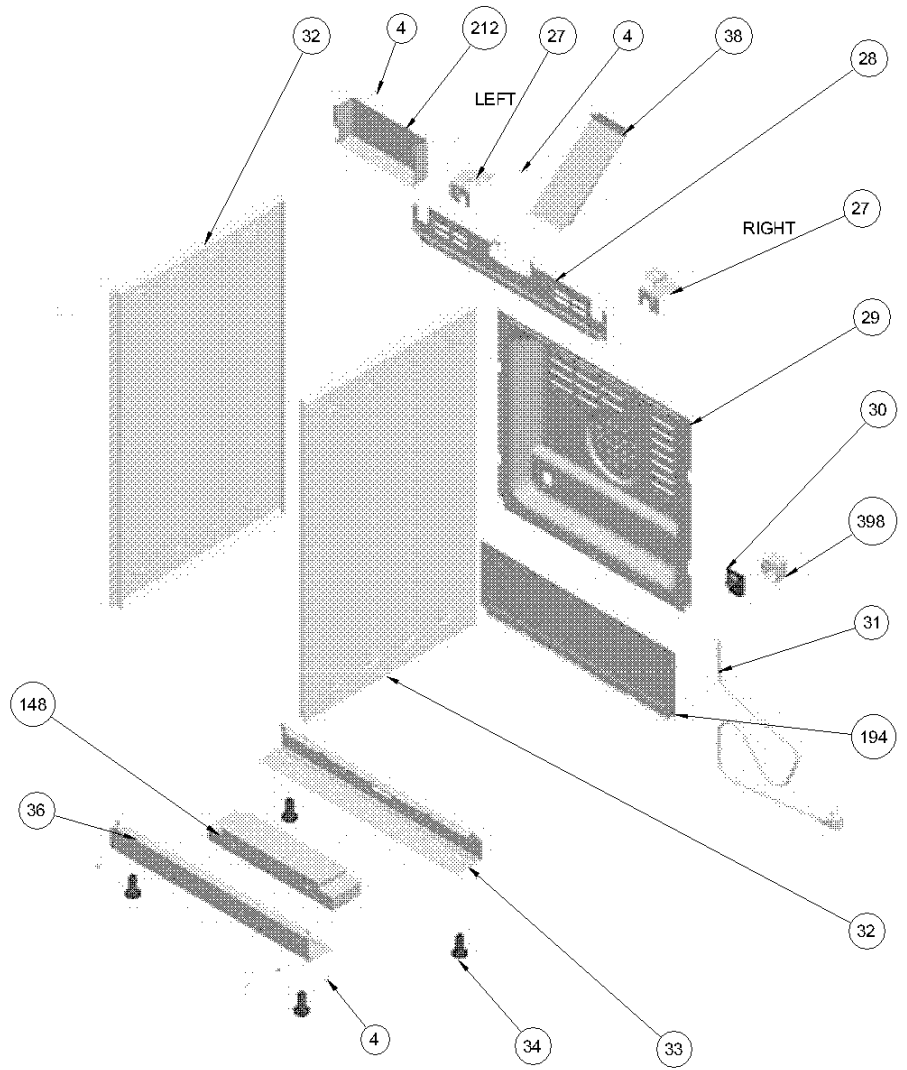


ADDITIONAL BOTTOM SUPPORT

OPTIONAL  
(ONLY FOR FS 90 CM.)

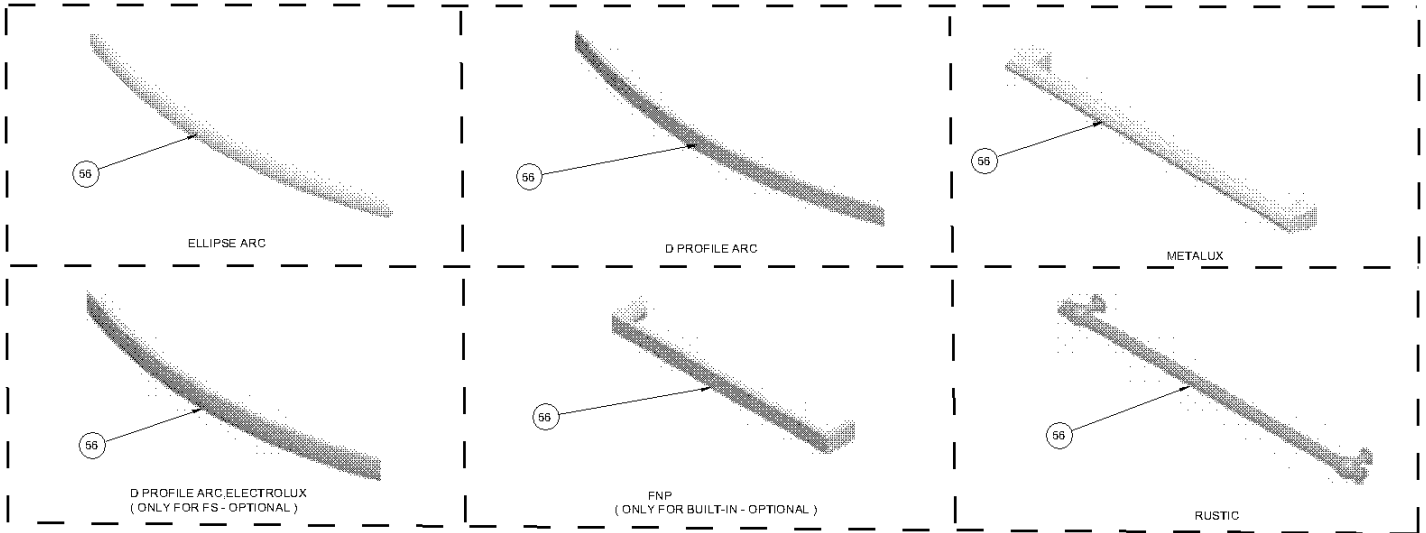


(OPTIONAL ONLY FOR ELECTRIC GRILL FS GAS)

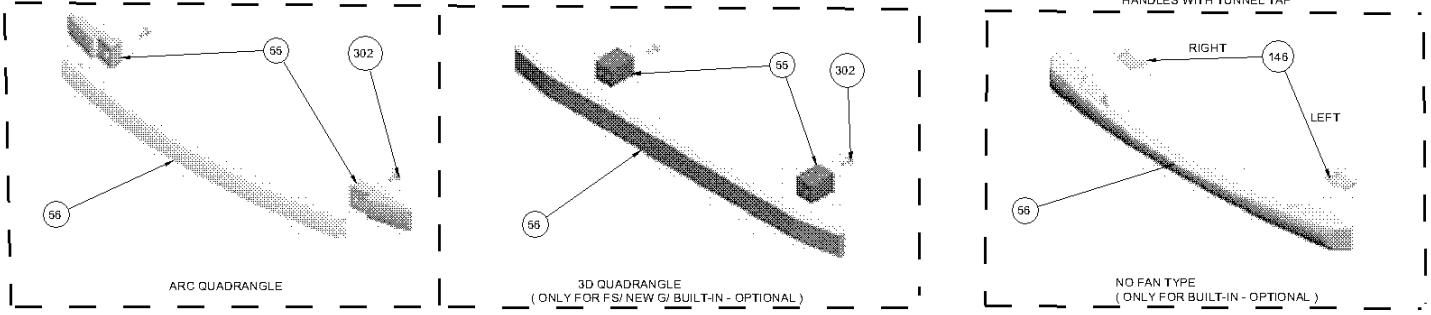


OVEN DOOR HANDLES (OPTIONAL)

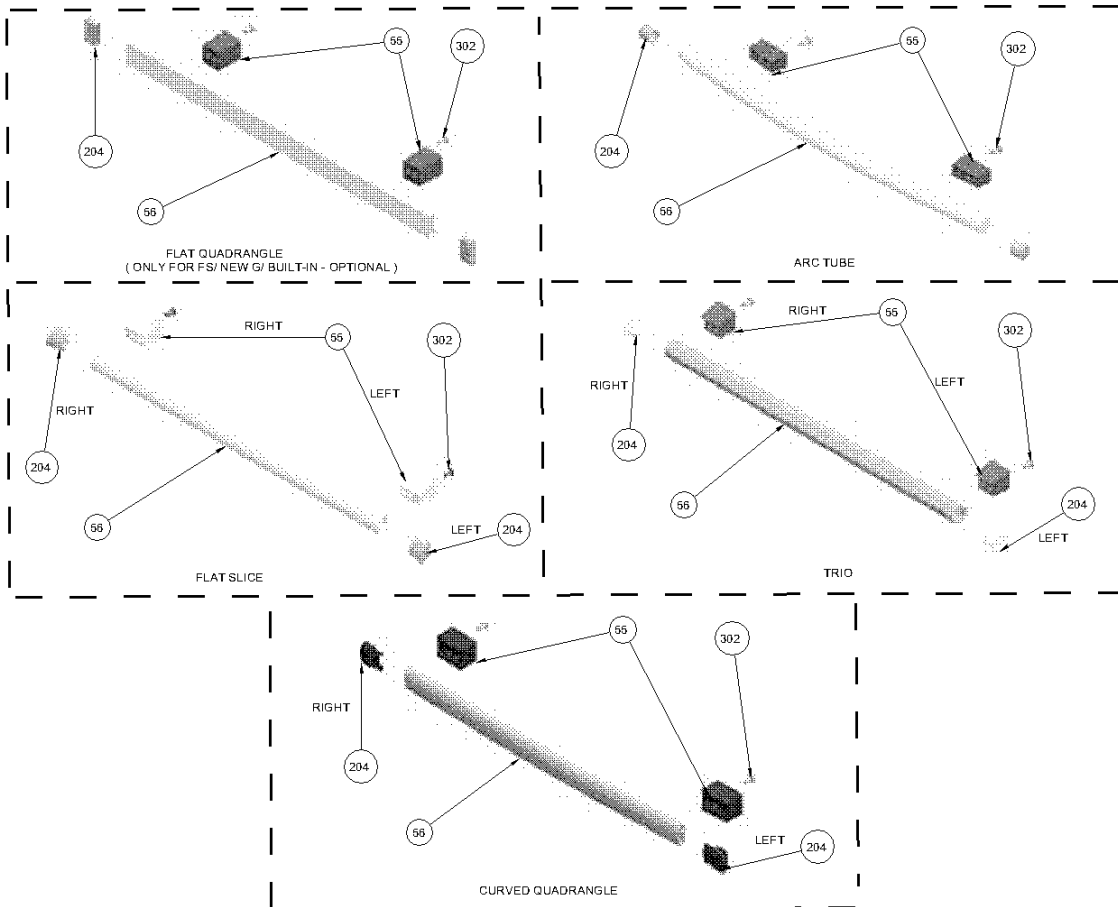
HANDLES WITHOUT TAP & BRACKET



HANDLES WITH BRACKET



HANDLES WITH TAP & BRACKET



KNOBS ( ONLY FOR FS - OPTIONAL )

