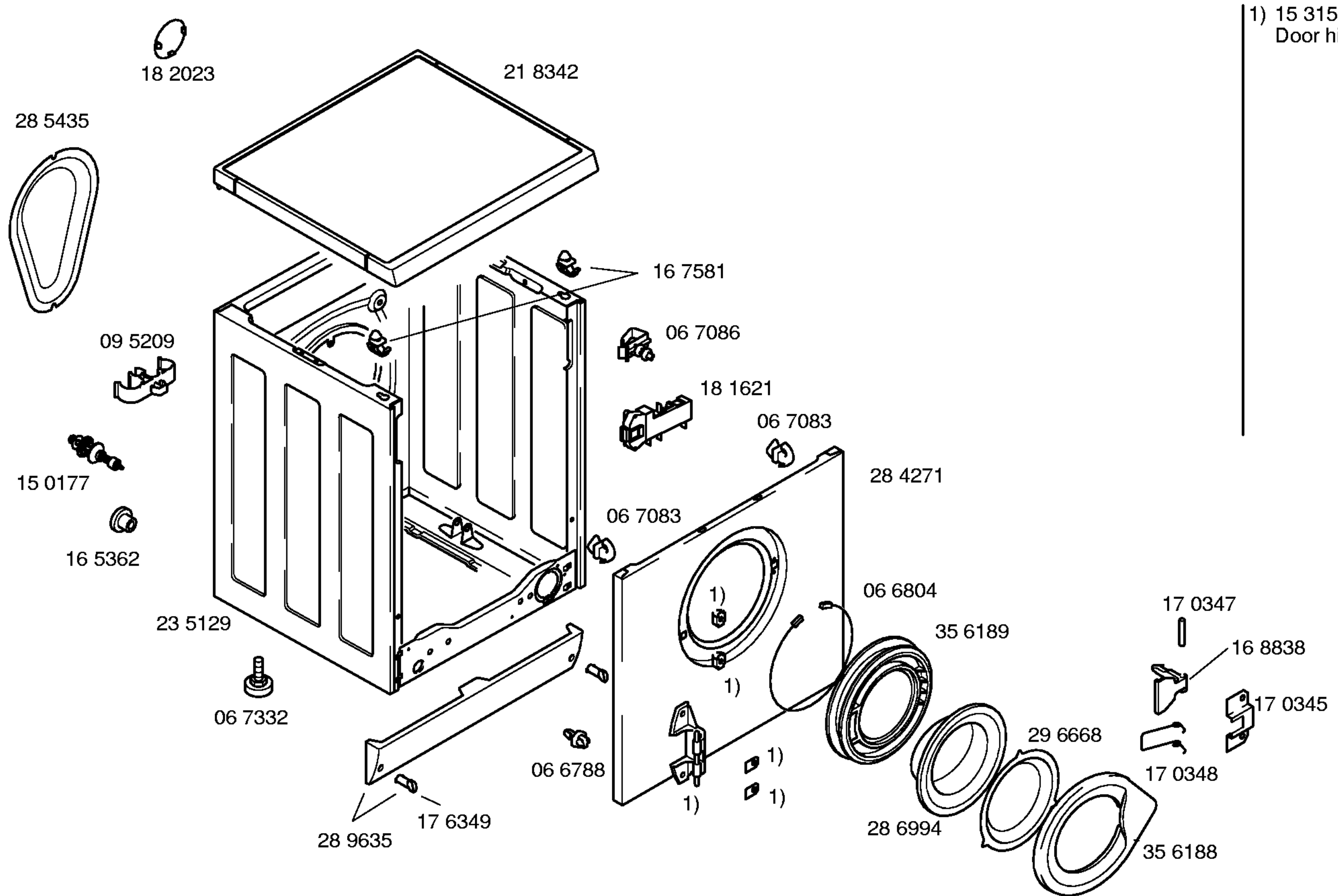
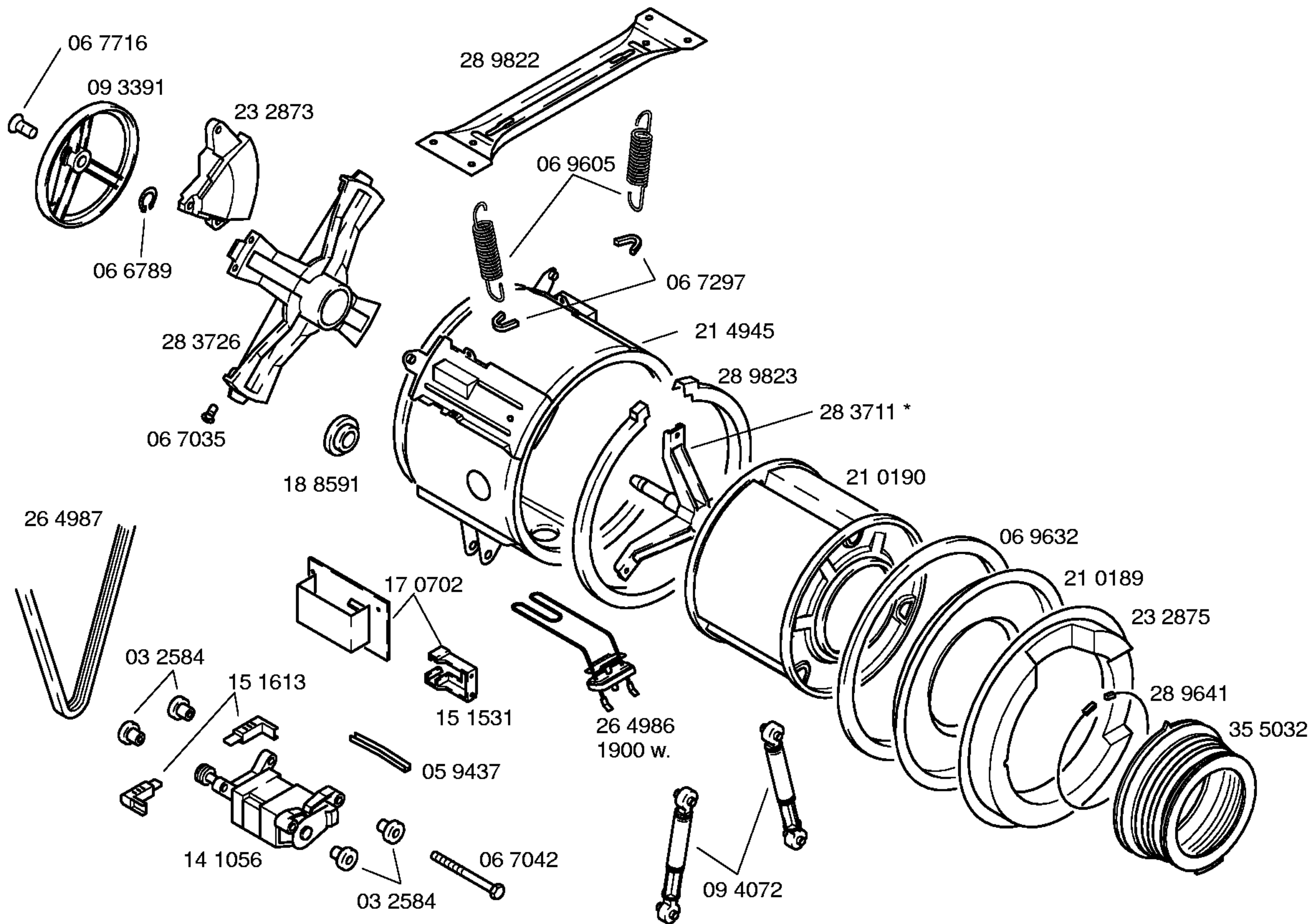


Instruction manual  
58 2858  
(es, pt)

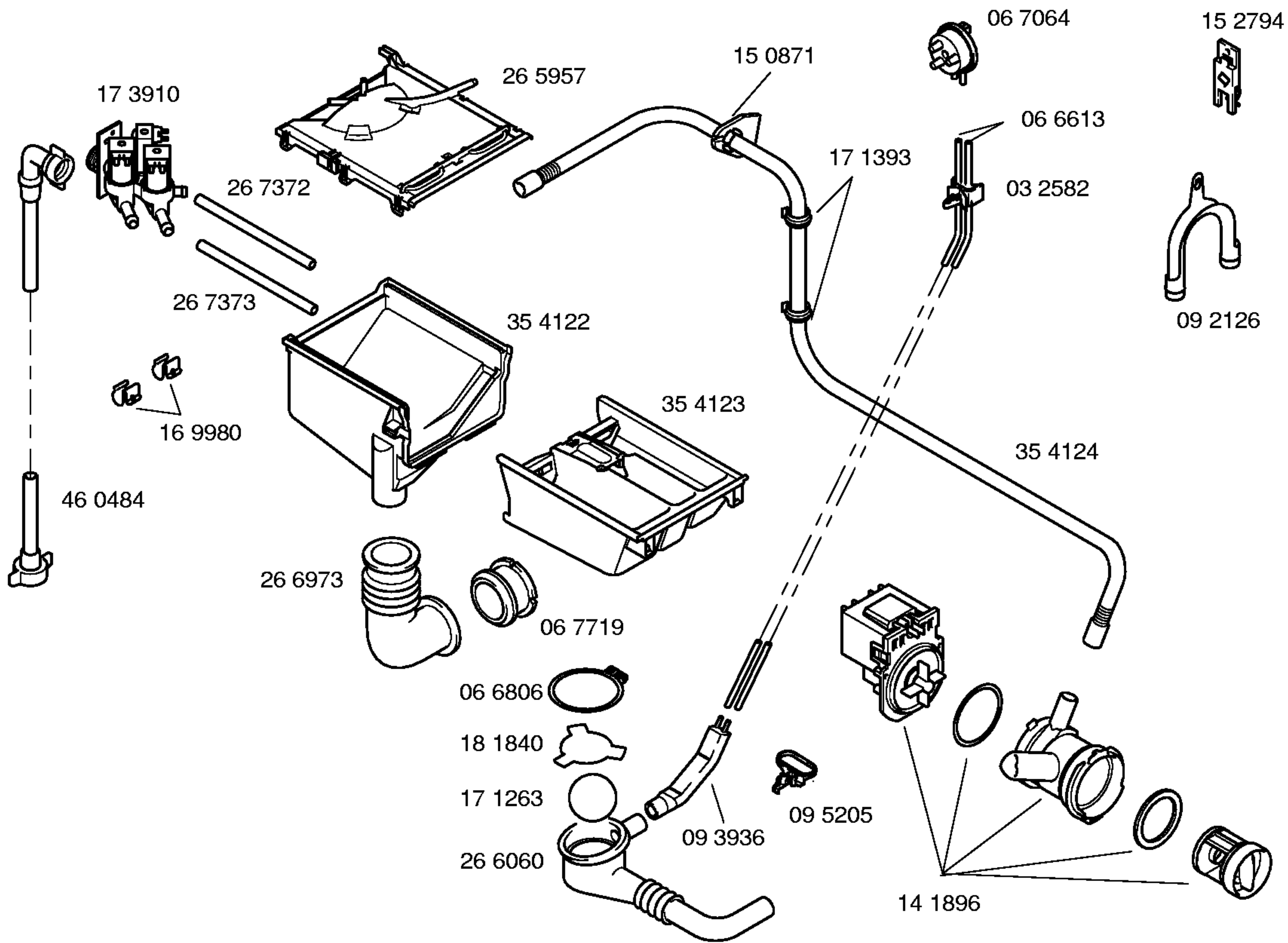
1) 36 5408  
(en)

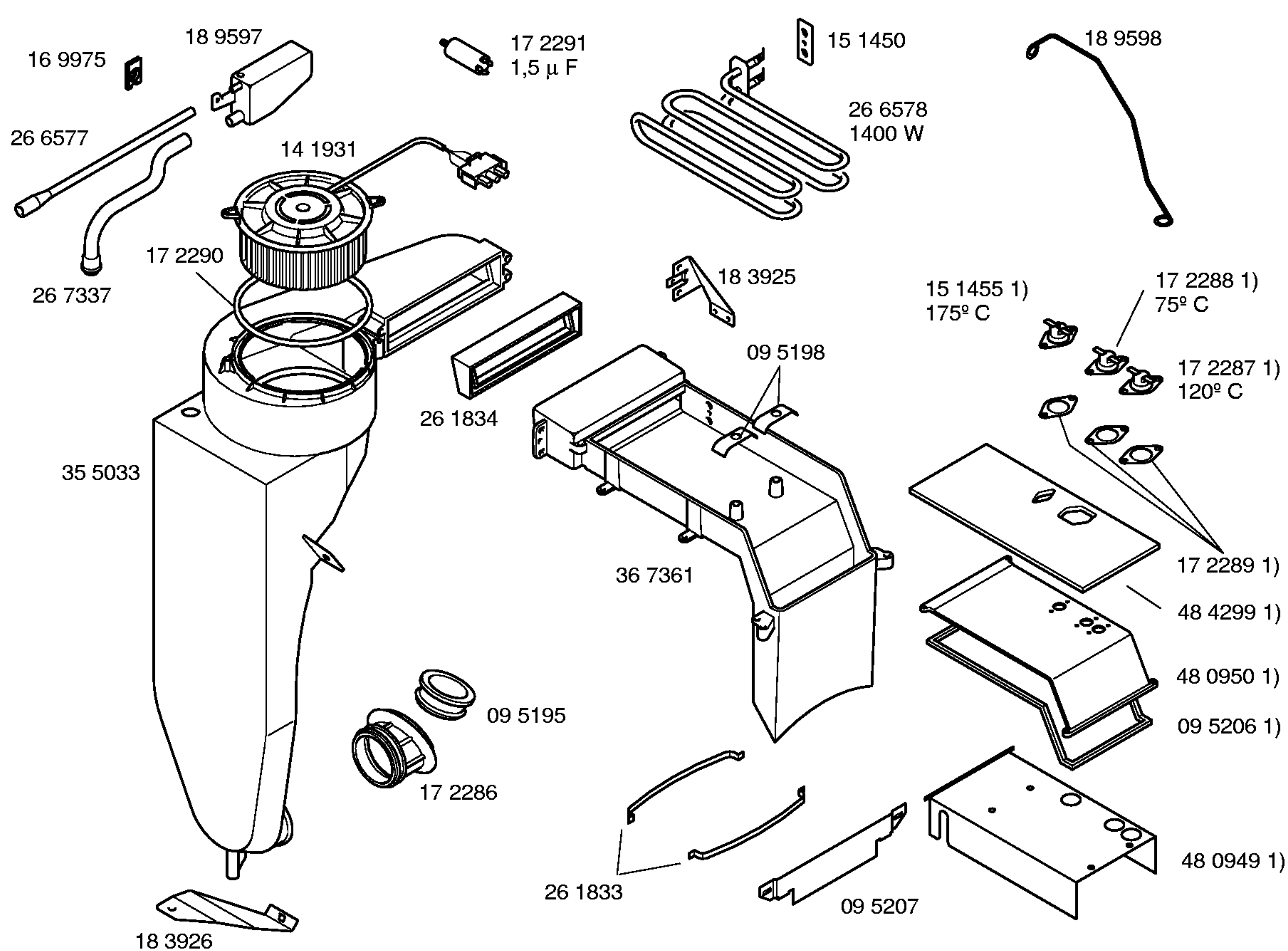
Metal top cover  
21 5174





\* Screw and nut kit  
05 9132





1) 48 0948  
Tunnel cover kit