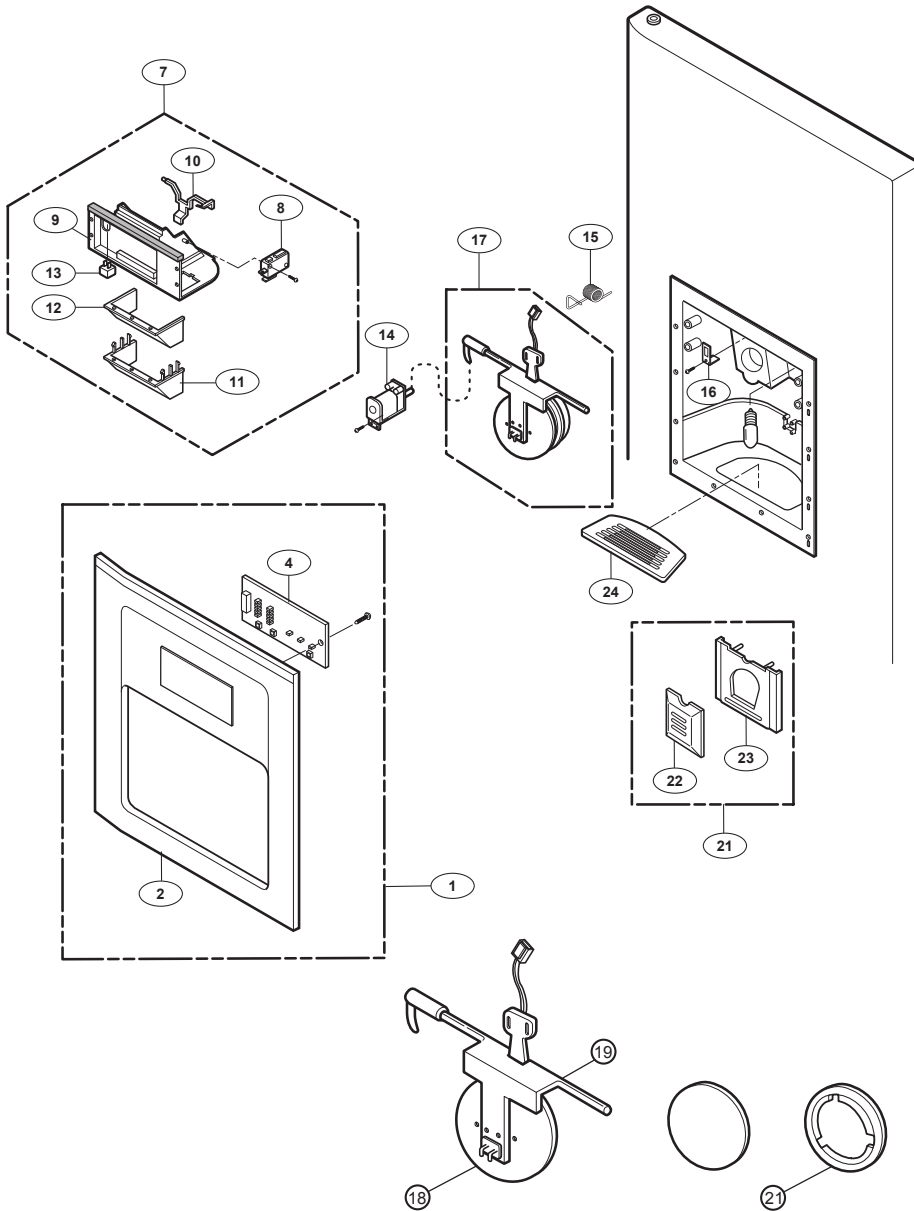


HOW TO DISASSEMBLE AND ASSEMBLE

7) Dispenser Related Parts

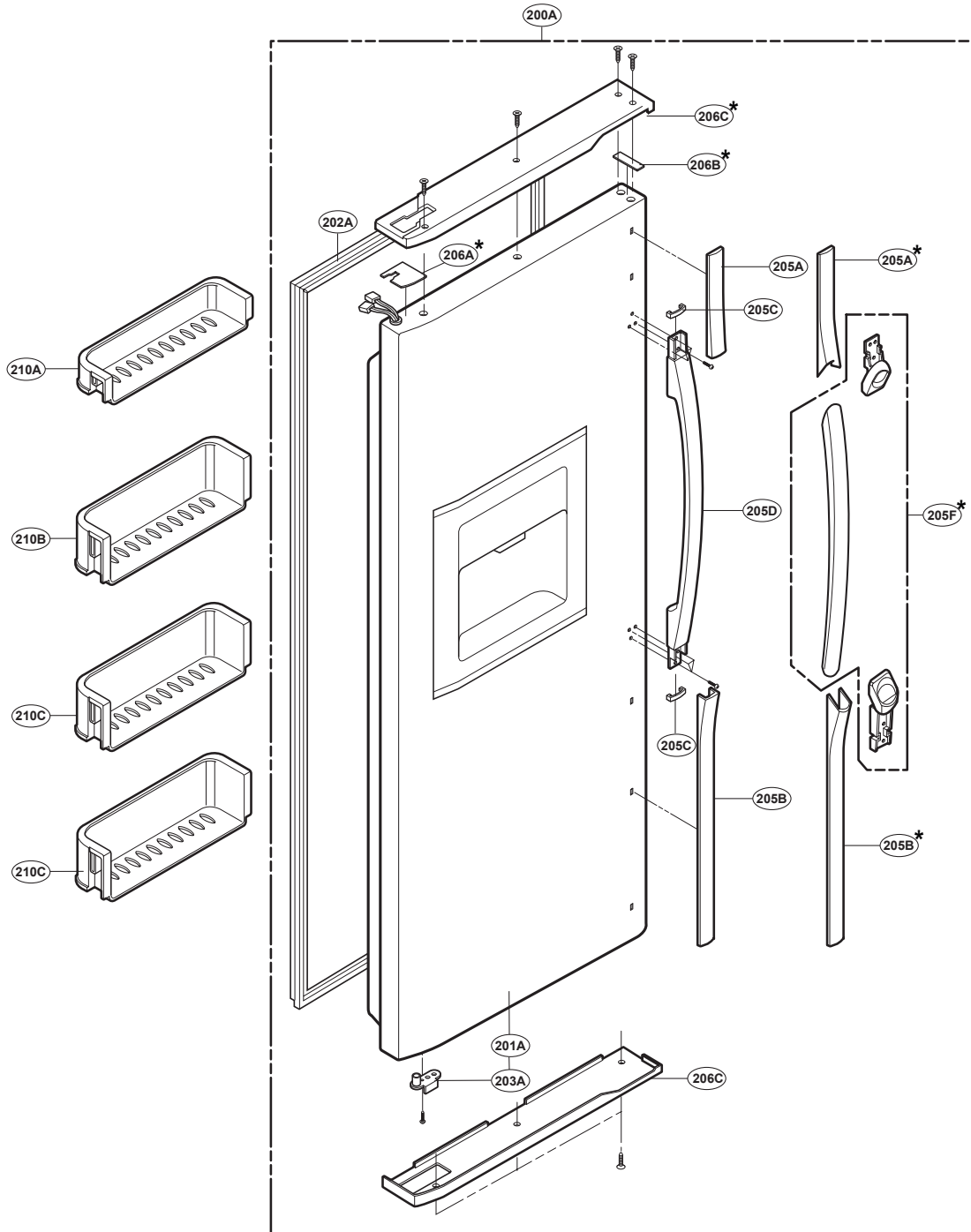


1	FRAME ASSY, DISPLAY
2	COVER, DISPENSER
4	PWB(PCB) ASSY, DISPLAY
7	FUNNEL ASSY
8	SWITCH, MICRO
9	FRAME, FUNNEL
10	LEVER(SWITCH)
11	FUNNEL
12	RUBBER, FUNNEL
13	SWITCH, ROCKER
14	SOLENOID ASSY
15	SPRING
16	HOLDER, LEVER
17	CAP, DUCT
19	LEVER, DISPENSER
20	RUBBER, CAP
21	BUTTON ASSY
22	BUTTON
23	HOLDER, BUTTON
24	DECO, DRAIN

< 17 Cap Assy, Duct Detailed Drawings >

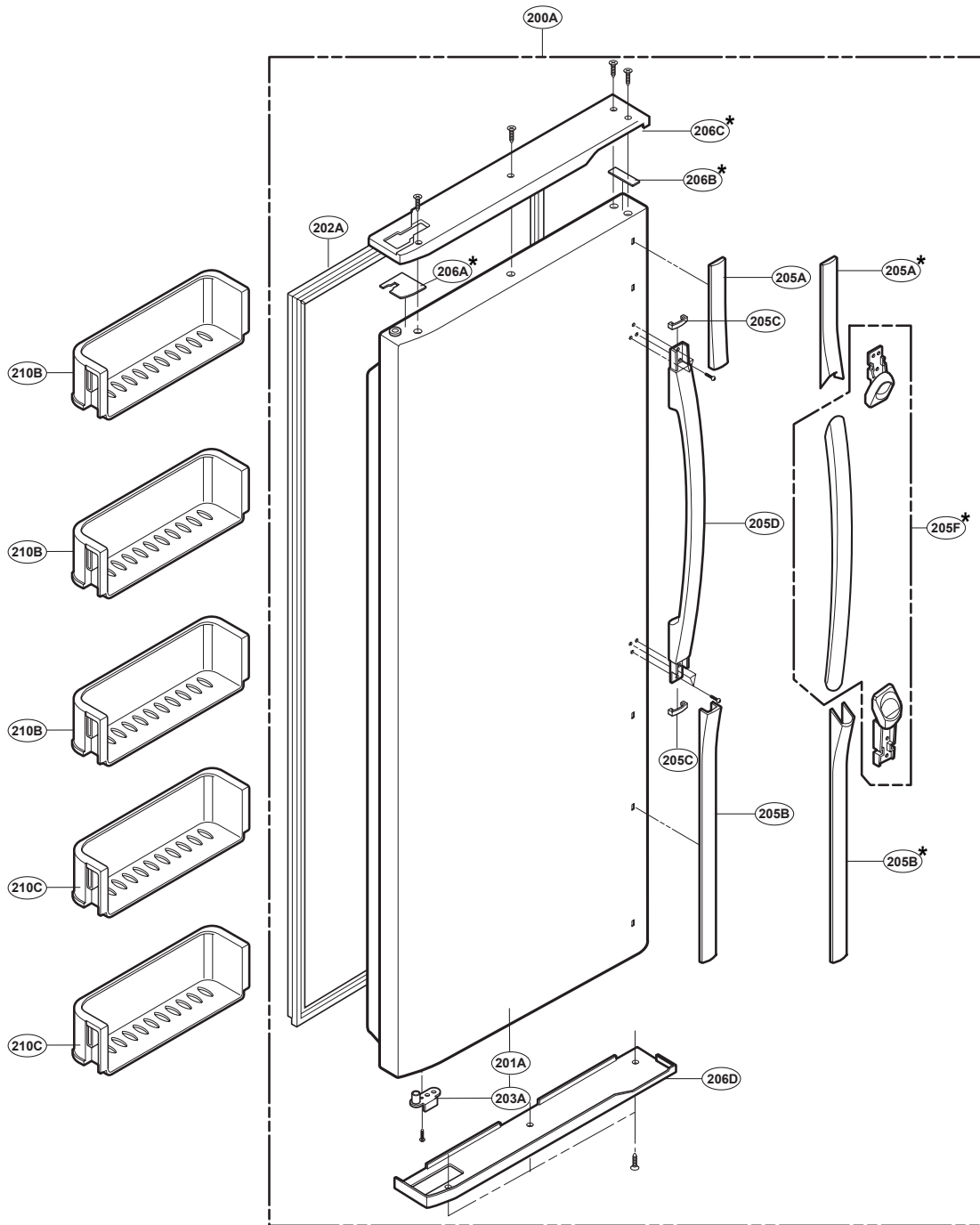
EXPLODED VIEW

FREEZER DOOR PART: GR-P247, GR-P207, GR-L247, GR-L207



EXPLODED VIEW

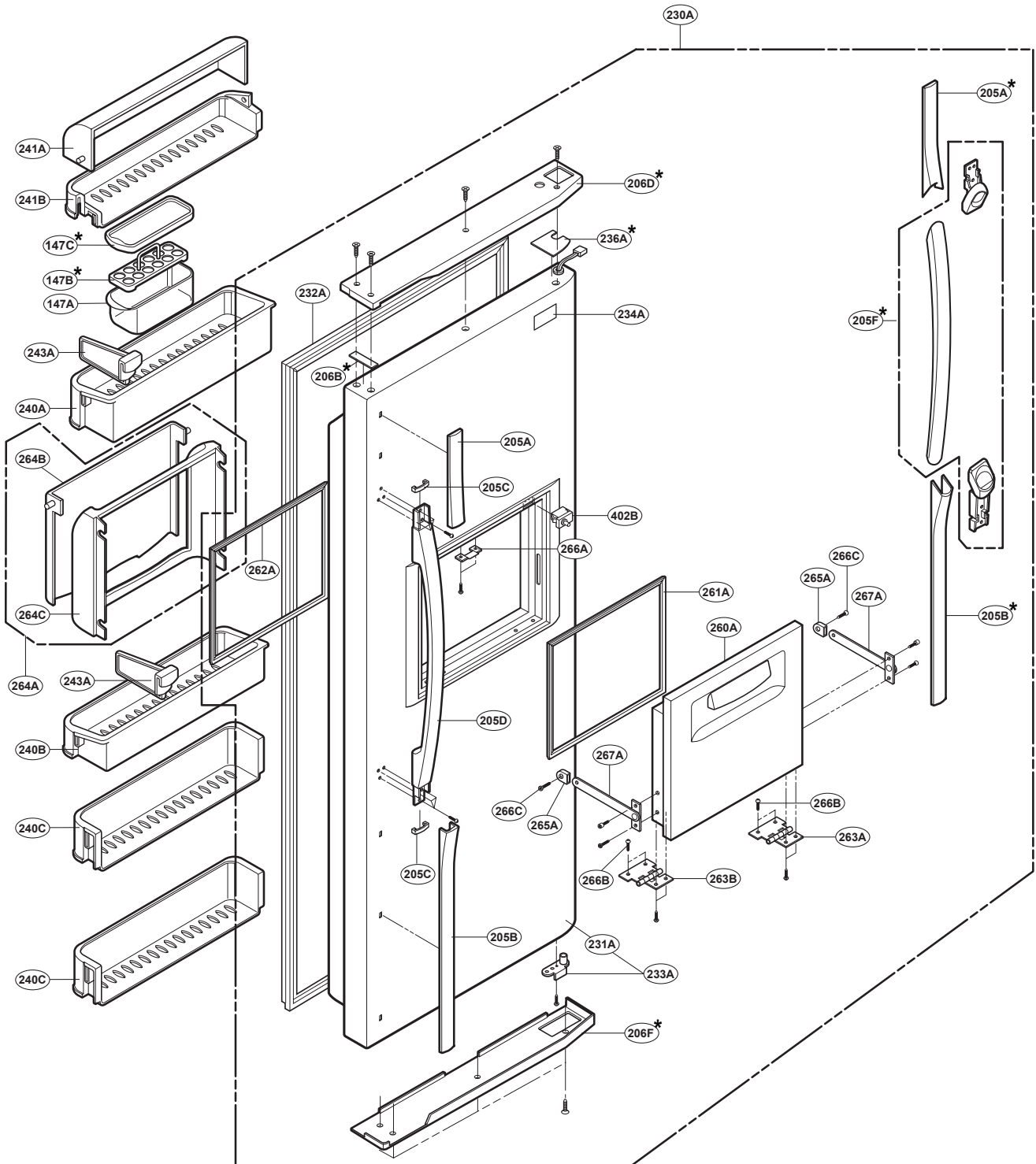
FREEZER DOOR PART: GR-C247, GR-C207, GR-B247, GR-B207, GR-B197



EXPLODED VIEW

Ref No. : GR-P247, GR-P207, GR-C247, GR-C207
REFRIGERATOR DOOR PART

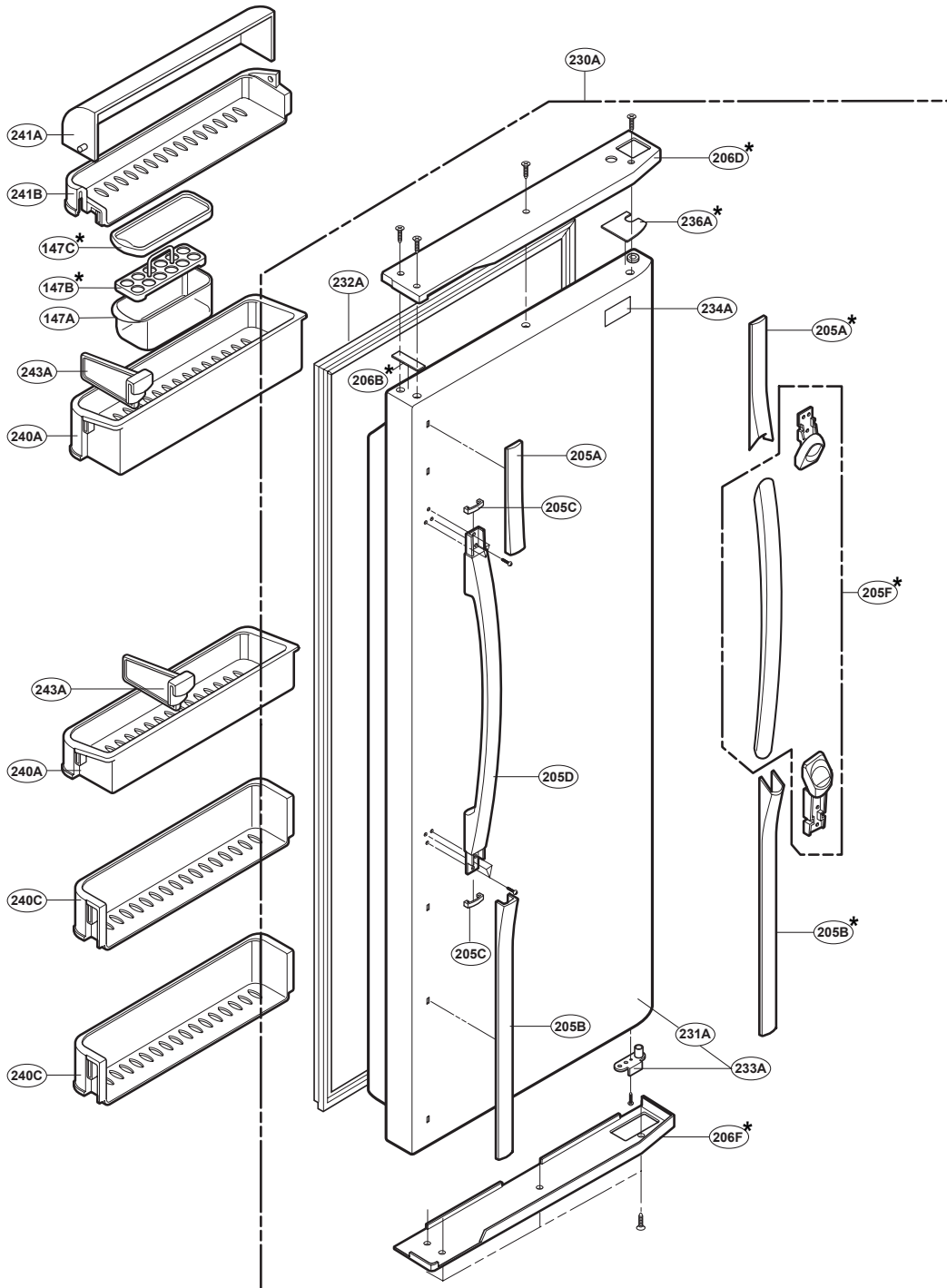
* : Optional part



EXPLODED VIEW

Ref No. : GR-L247, GR-L207, GR-B247, GR-B207, GR-B197
REFRIGERATOR DOOR PART

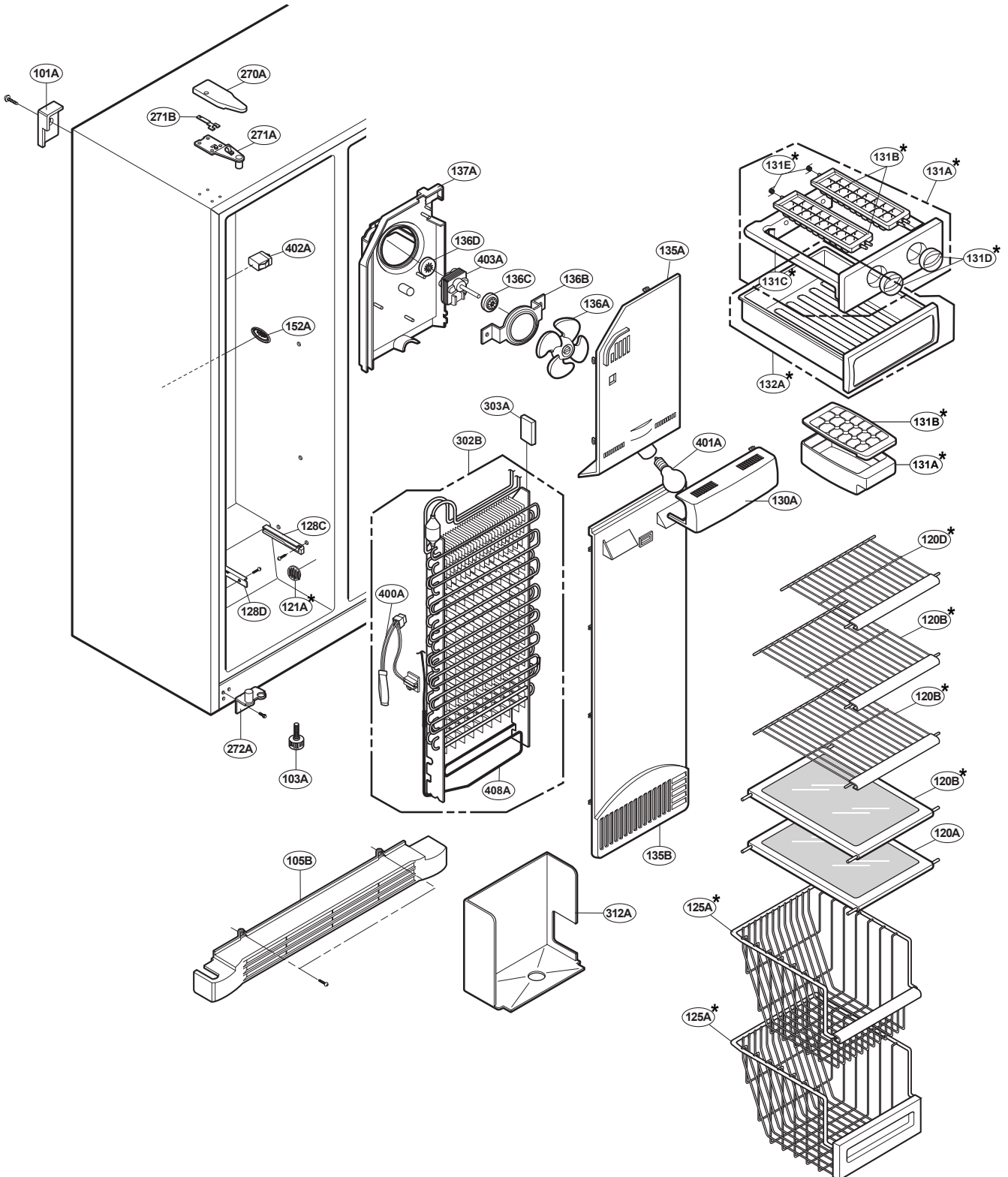
* : Optional part



EXPLODED VIEW

FREEZER COMPARTMENT

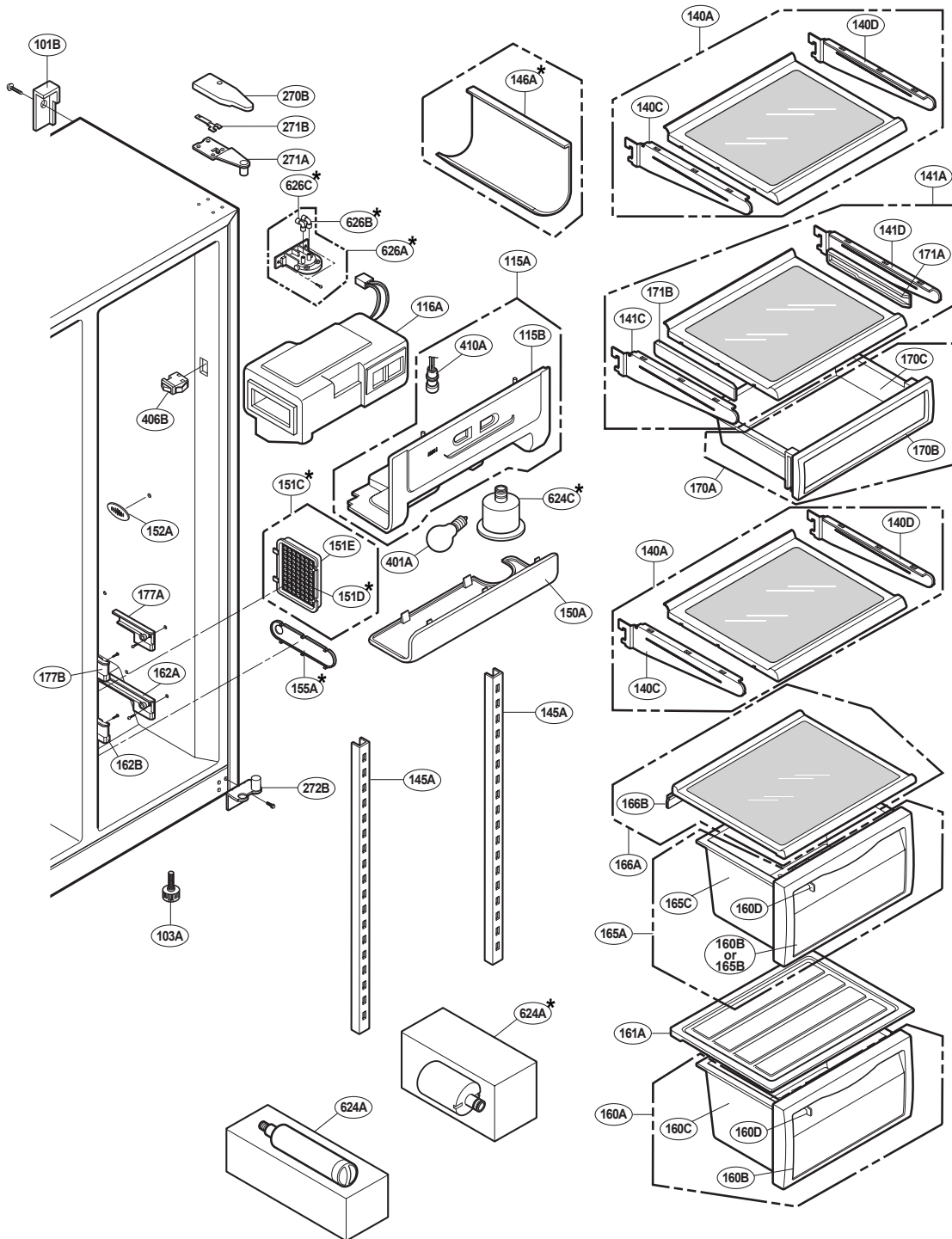
* : Optional part



EXPLODED VIEW

REFRIGERATOR COMPARTMENT

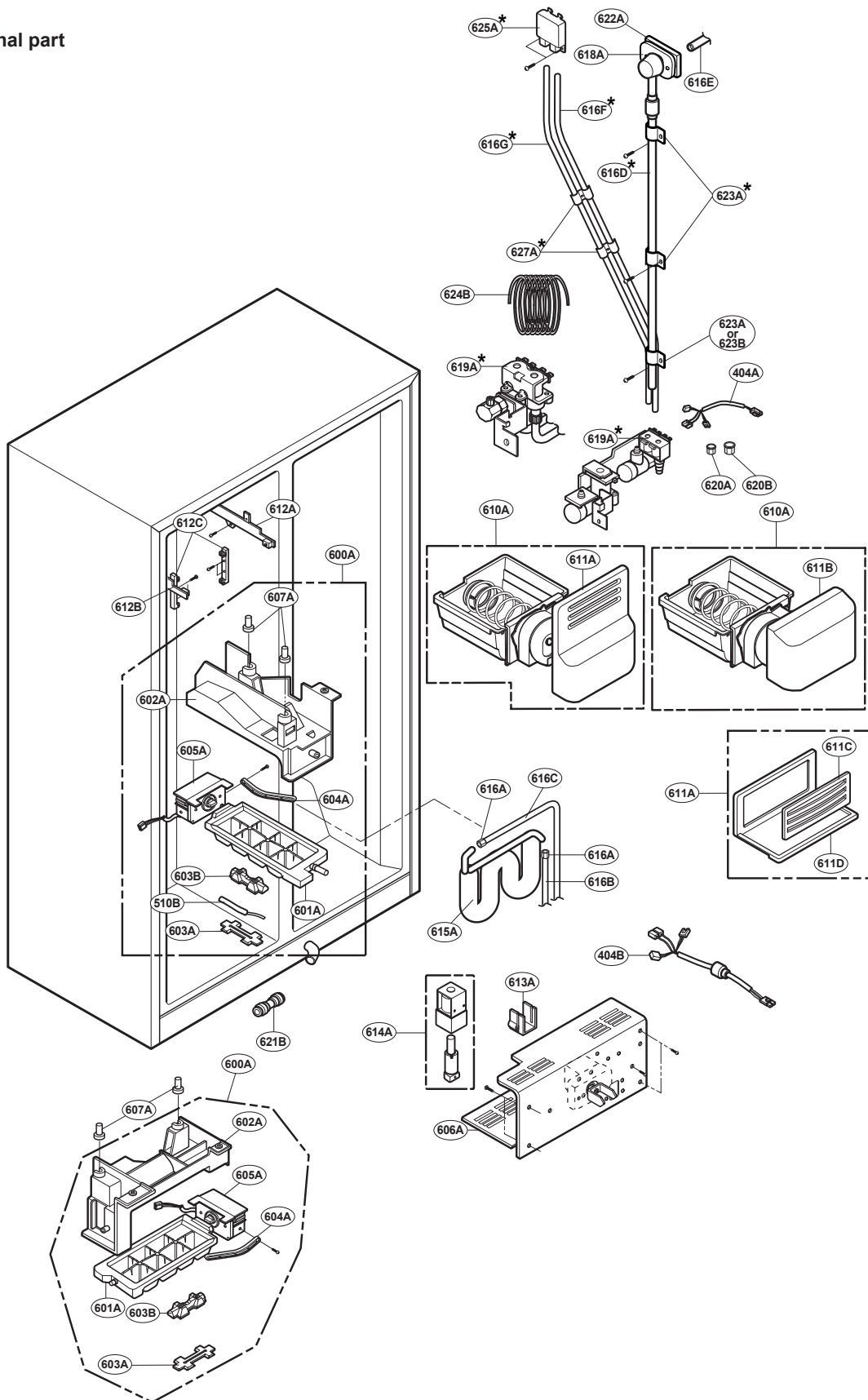
* : Optional part



EXPLODED VIEW

ICE & WATER PART

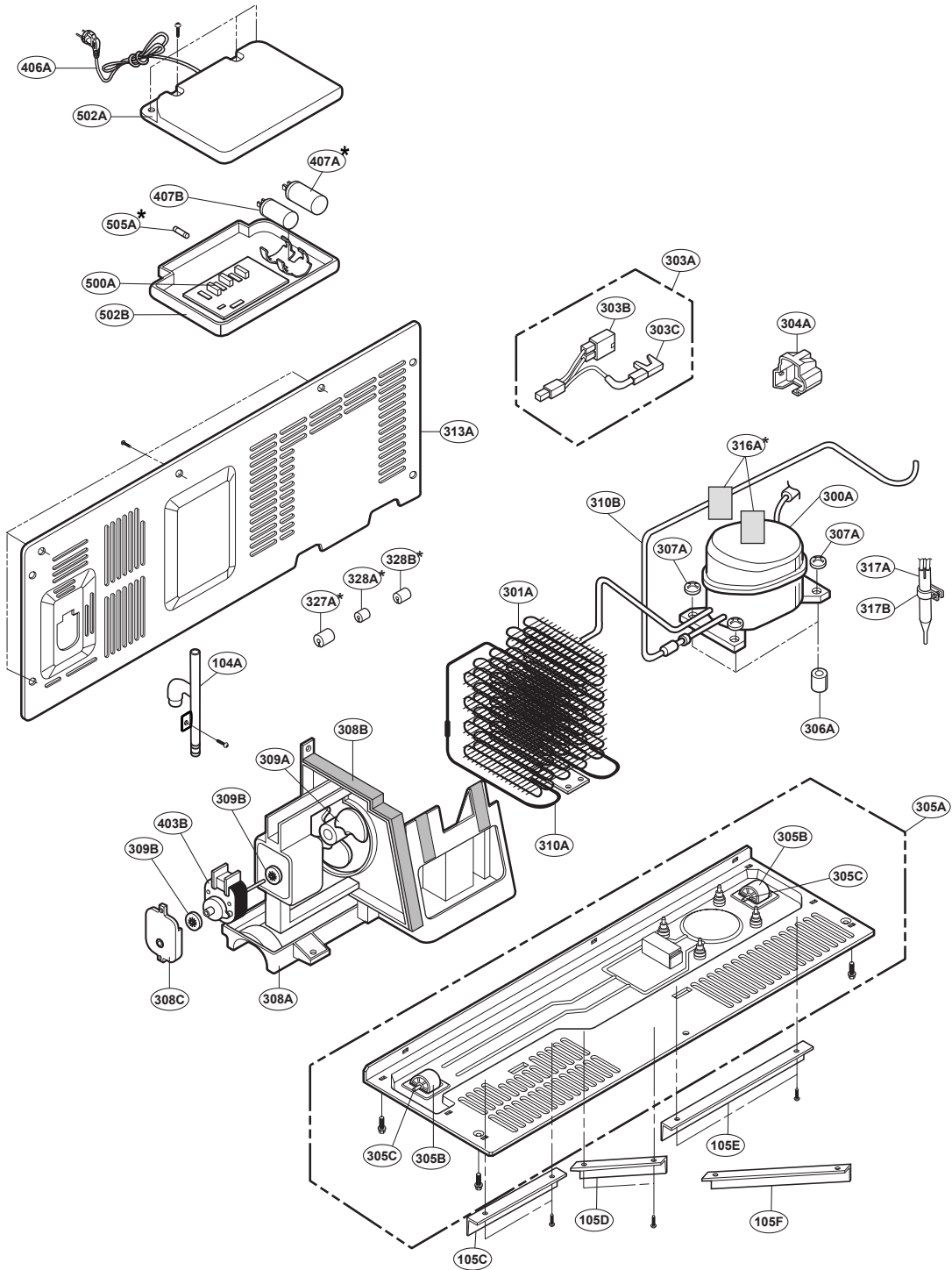
* : Optional part



EXPLODED VIEW

MACHINE COMPARTMENT

* : Optional part



EXPLODED VIEW

DISPENSER PART

