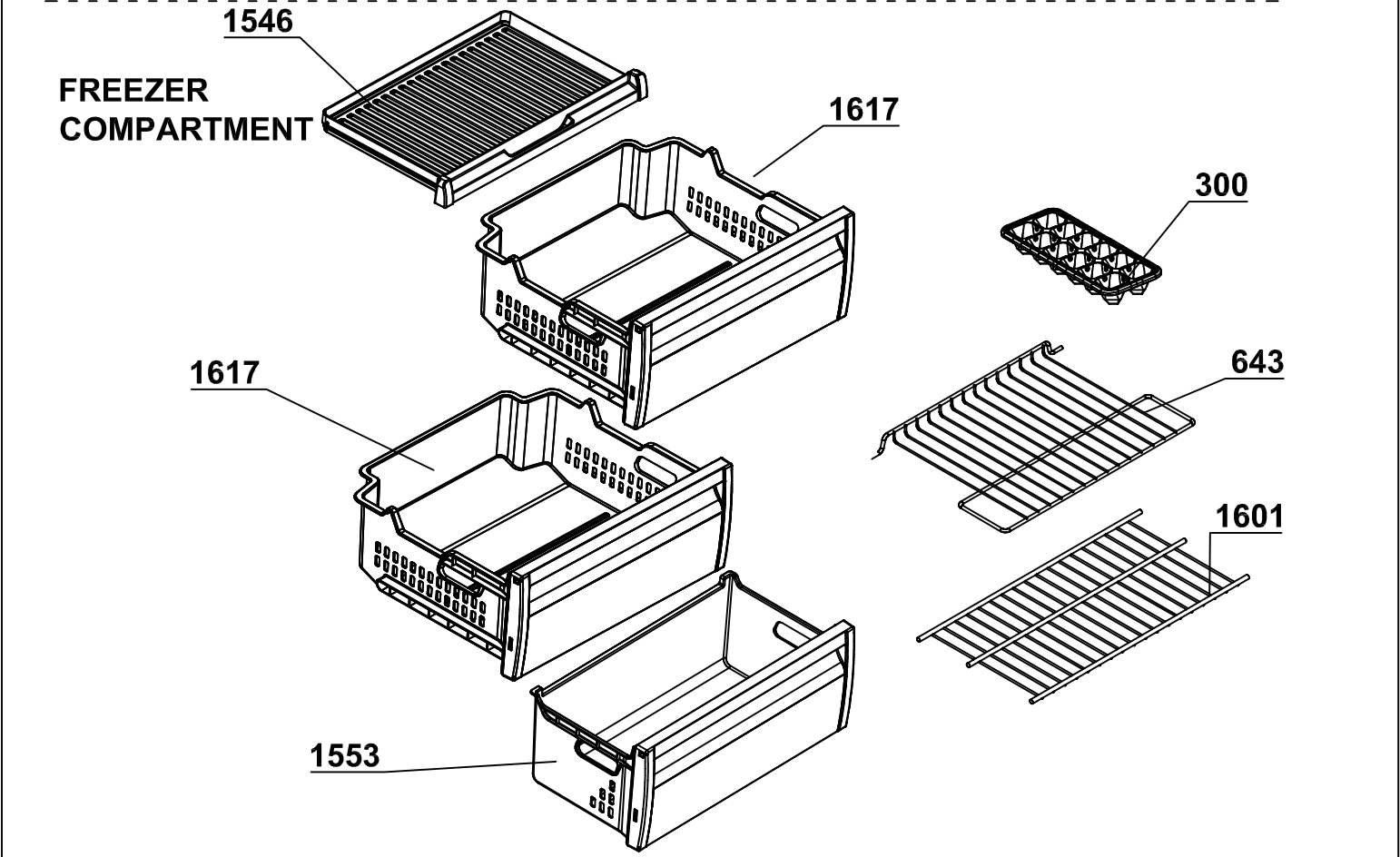


**REFRIGERATOR COMPARTMENT**



**FREEZER COMPARTMENT**

<p><i>Product code:</i> 7513520017</p>	<p><i>Model:</i> <b>FROST FREE COMBI K6340NF-HC</b></p>	<p><i>Appendix:</i> 4</p>
--	---	-------------------------------

**CH134020 BEKO**

*Revision: 00*

*Ionela Enculescu - PDD*

25.04.2012