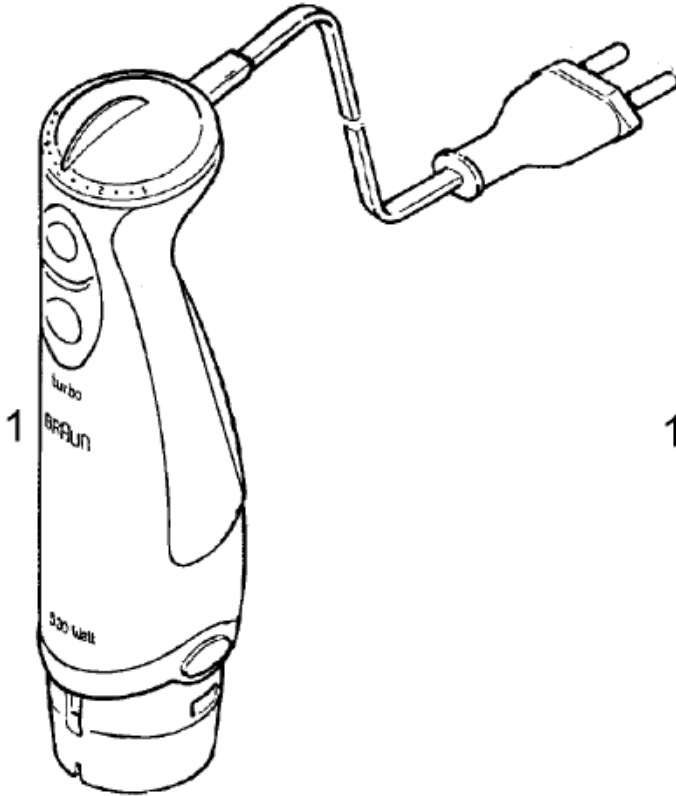
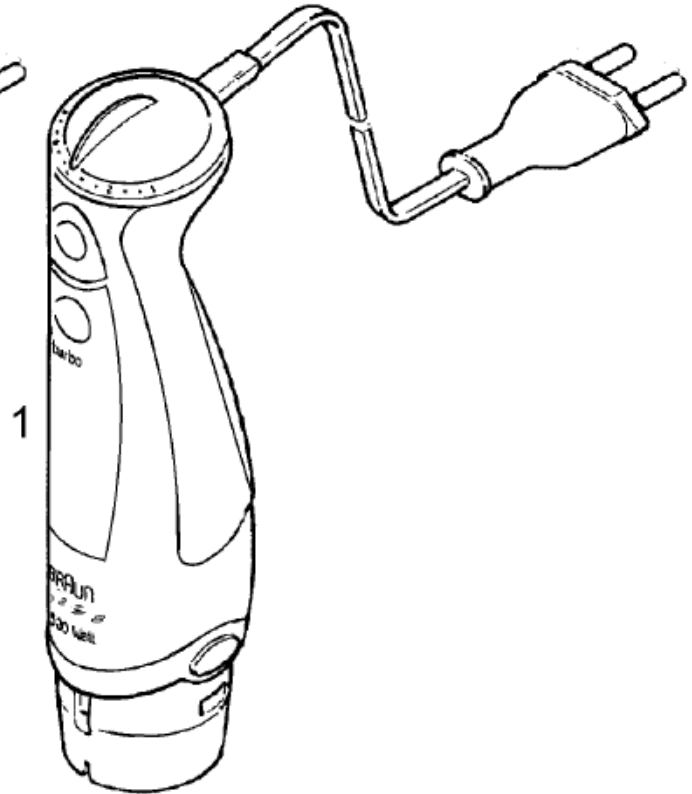


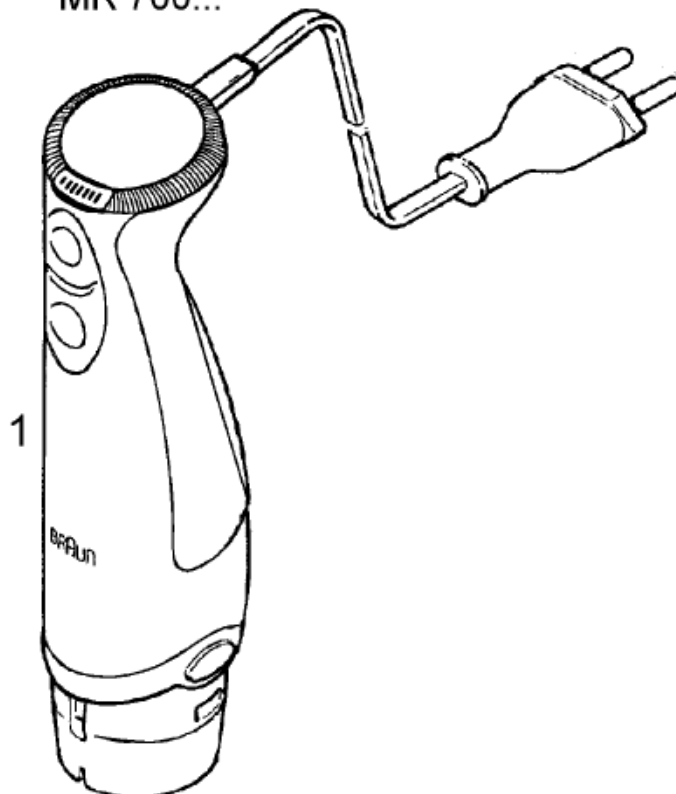
MR 5500...

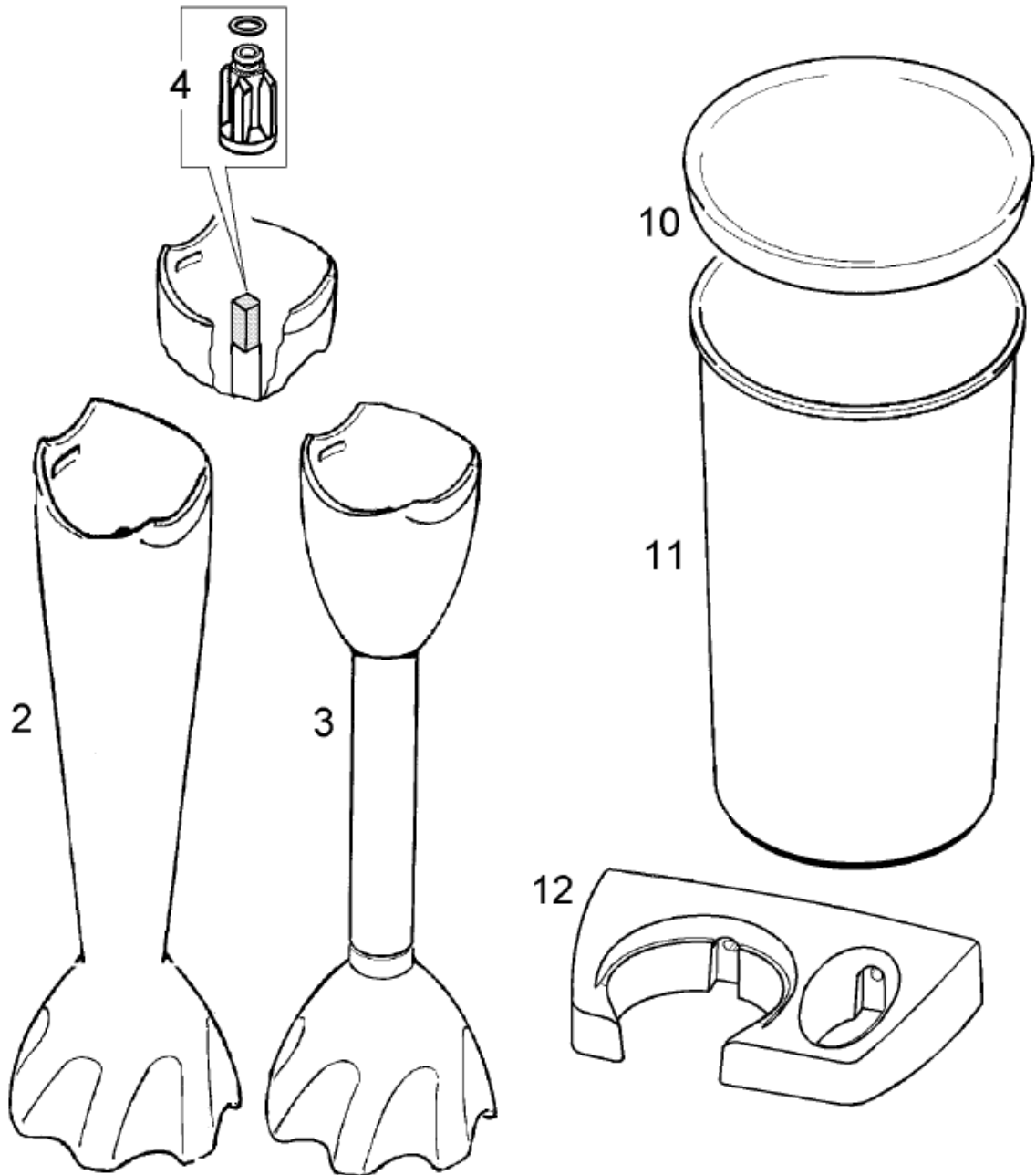
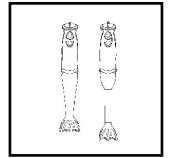


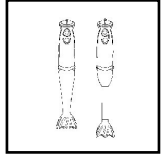
MR 6500.../500...



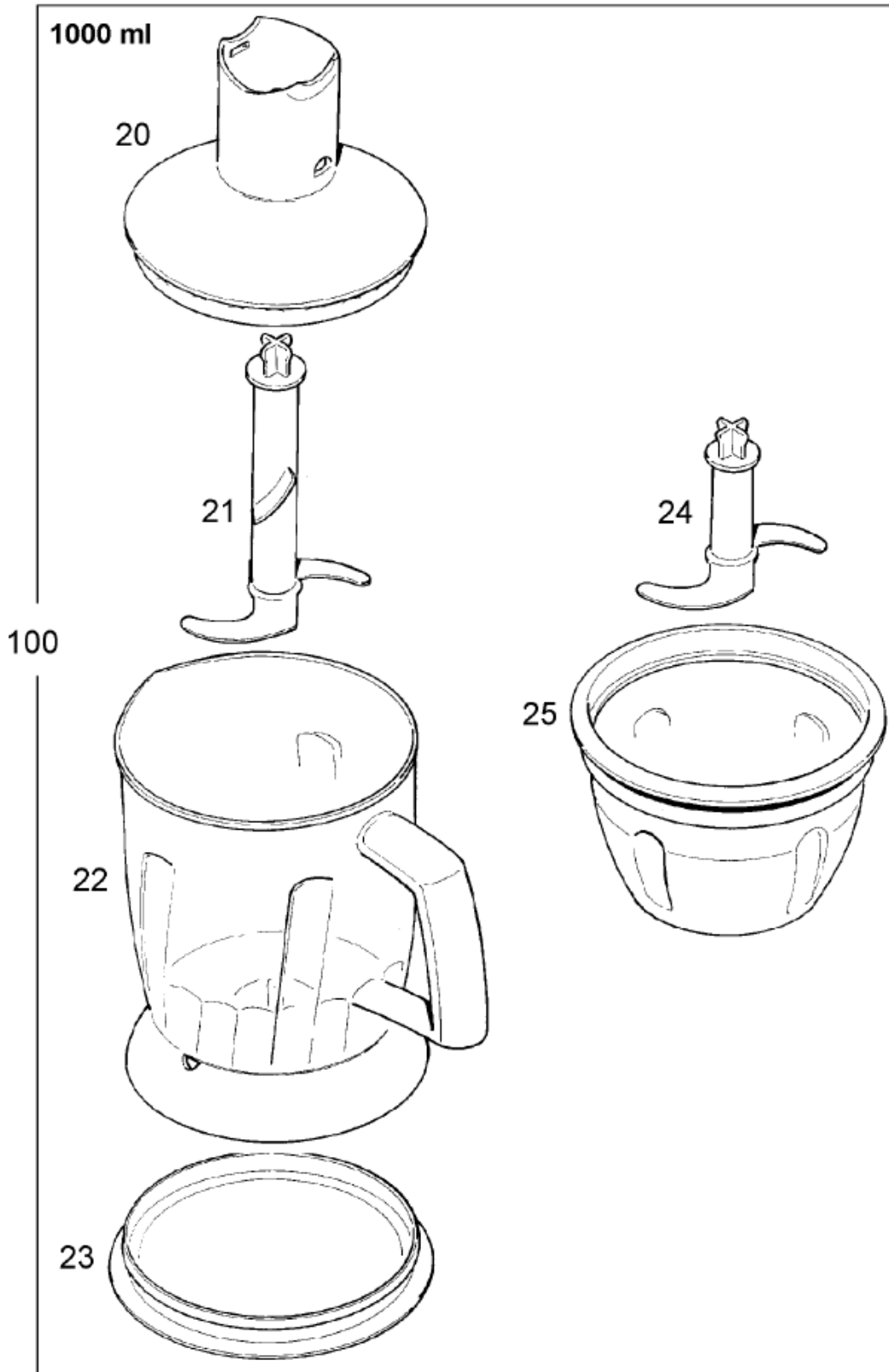
MR 700...

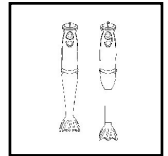




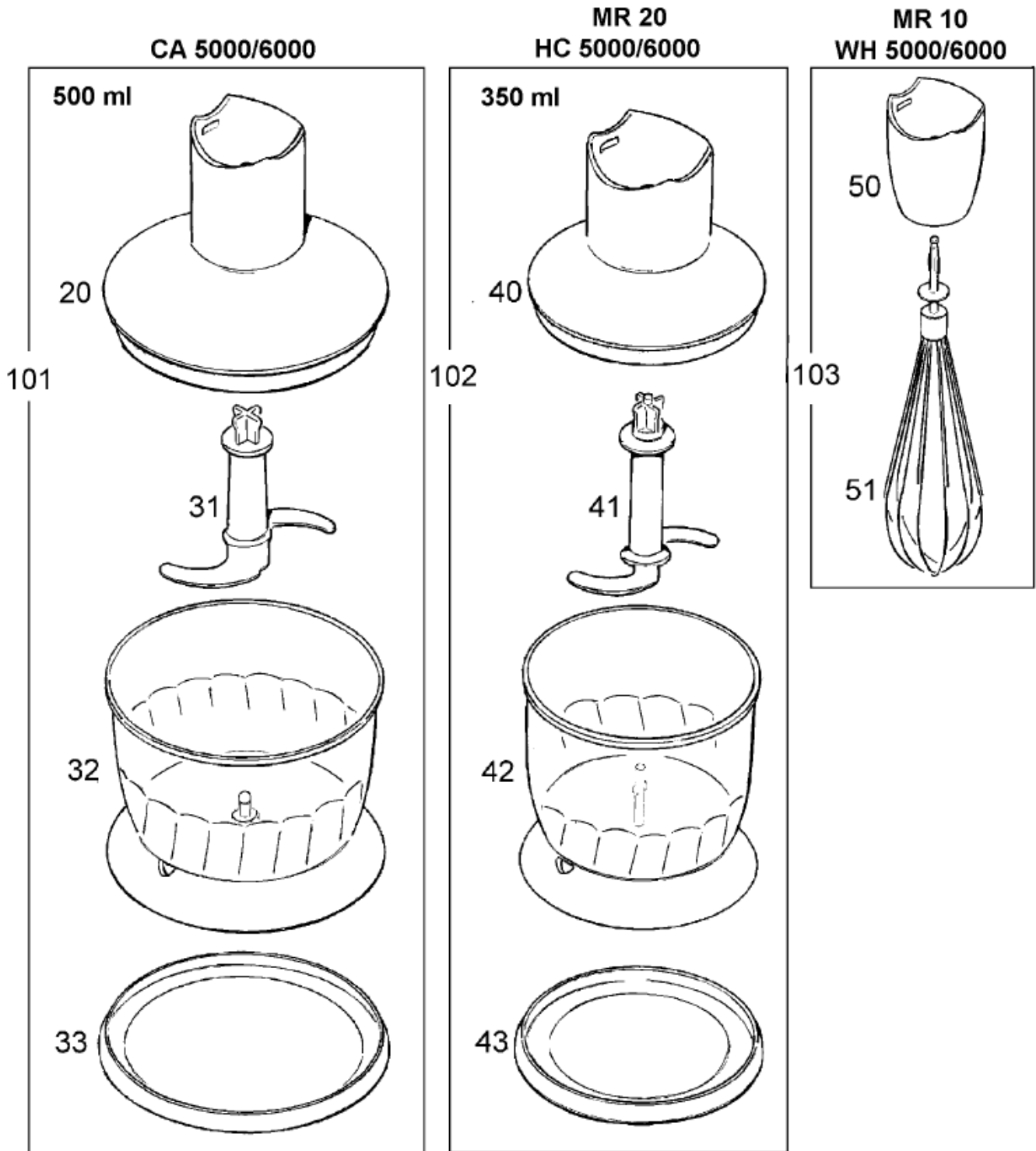


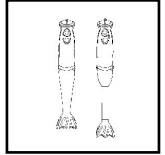
MR 500... / 700... / MR 5500... / 6500...  
(MR 40 / BC 5000/6000)





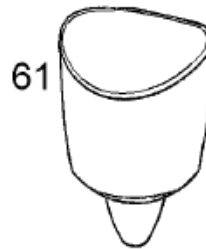
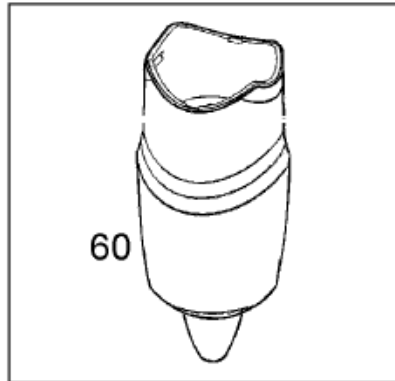
**MR 500... / 700... / MR 5500... / 6500...**





MR 500... / 700... / MR 5500... / 6500...

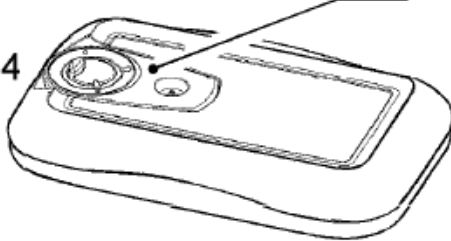
(VP 5000/6000)



(CT 900)

900 ml

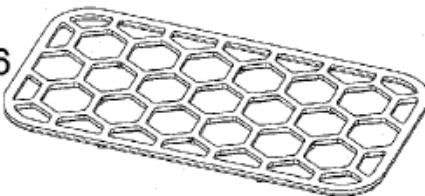
64



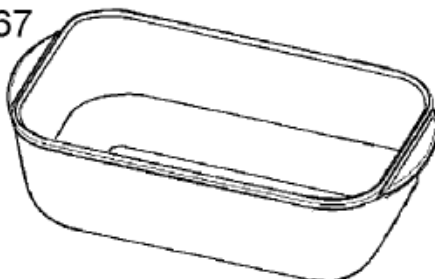
65



66



67



62



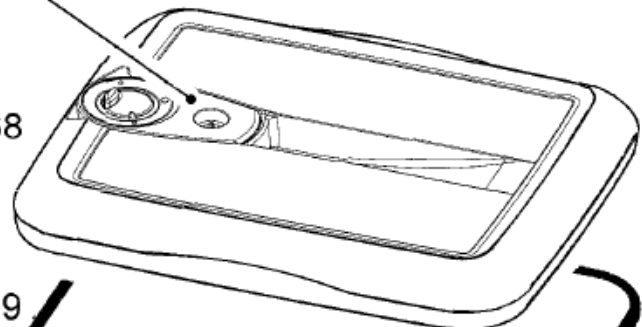
63



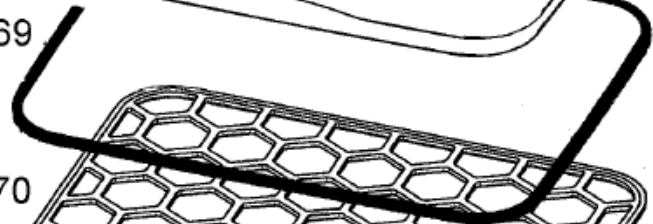
(CT 3100)

3100 ml

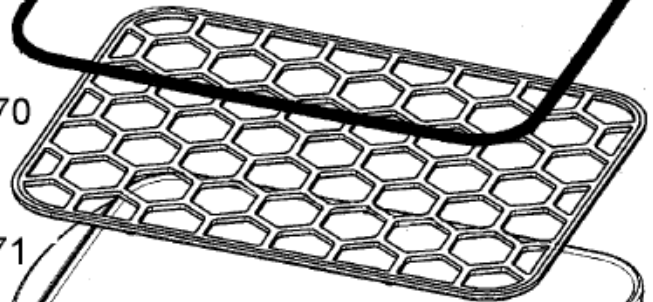
68



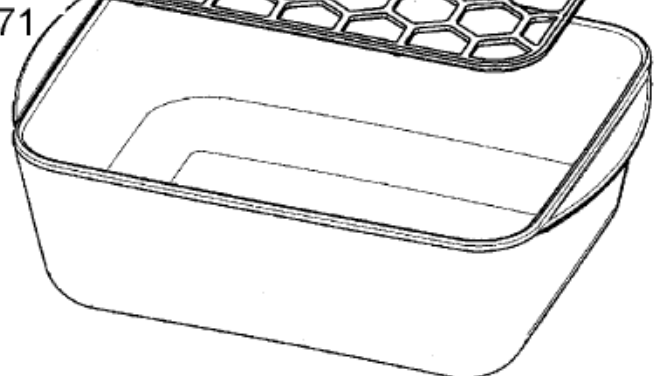
69

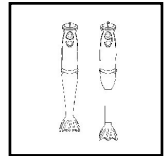


70



71





**MR 500... / 700... / MR 5500... / 6500...**

**(MR 70 / FP 6000)**

**(FP 6000)**

**(MR 70)**

