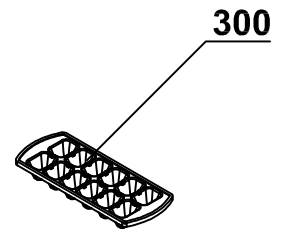
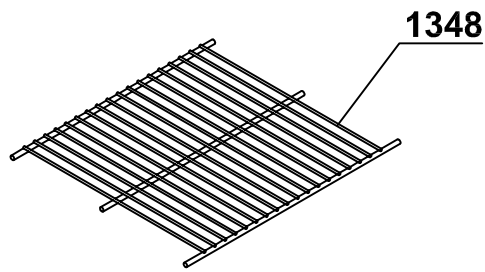
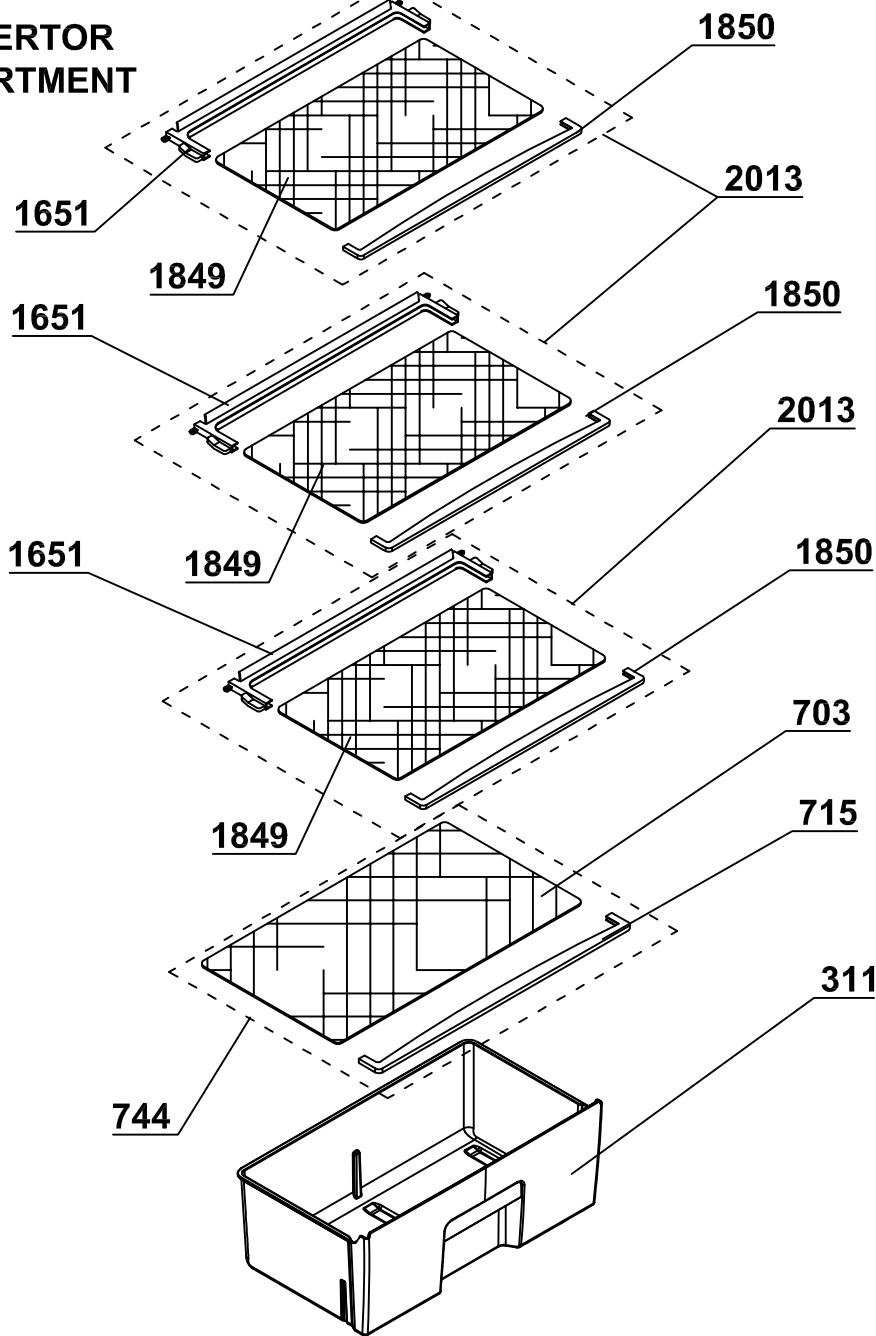


**FREEZER  
COMPARTMENT**



**REFRIGERTOR  
COMPARTMENT**



*Product code:*  
7503120105

*Model:*  
**DOUBLE DOOR REFRIGERATOR D5240**

*Appendix:*  
**3**

**EF 2245RA+ BRU**

*Revision: 00*

*Ionela Enculescu - PDD*

*28.07.2010*