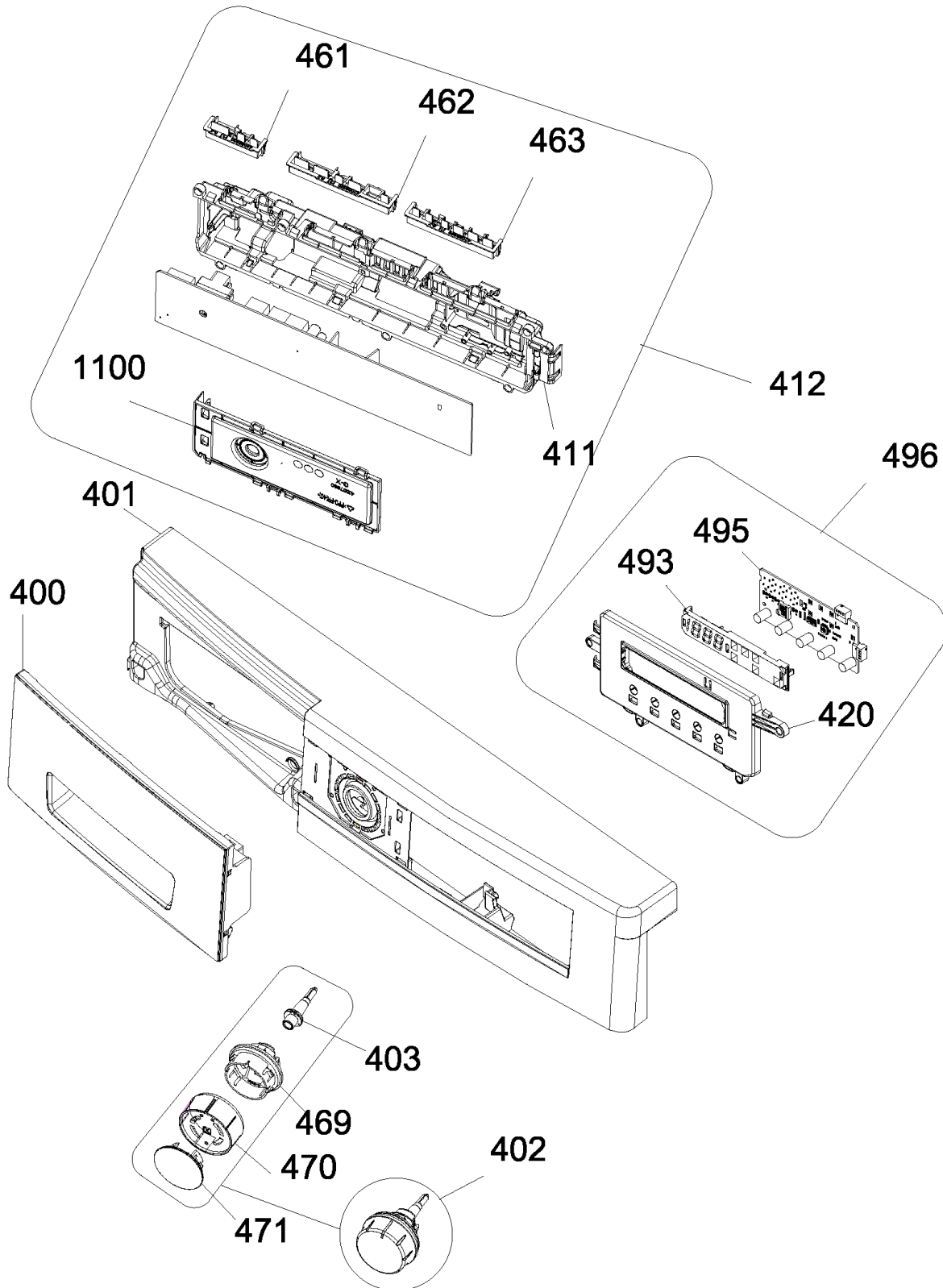


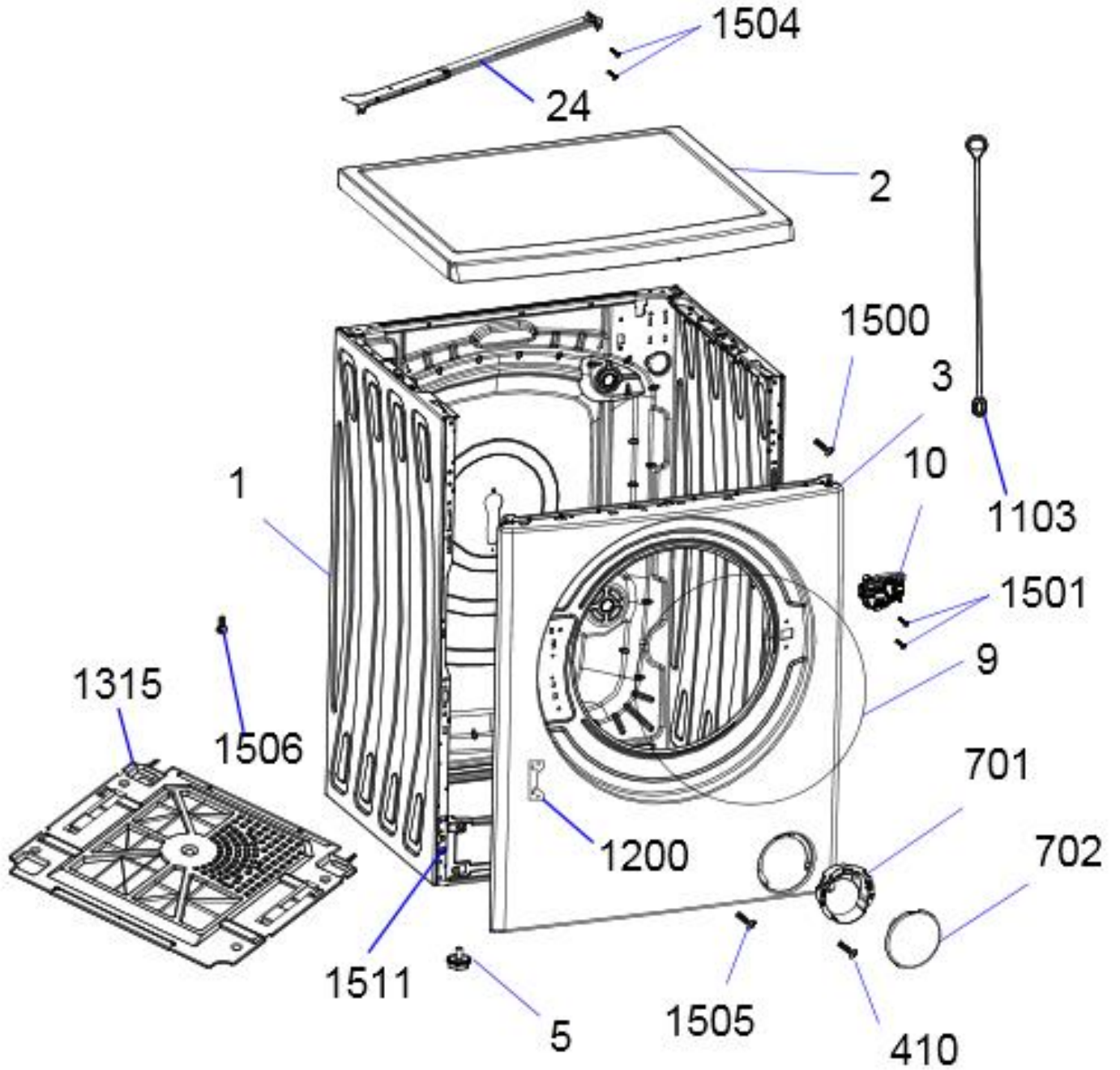
## CONTROL PANEL PARTS



NO	PART NAME	QUANTITY
400	DETERGENT DRAWER COVER	1
401	CONTROL PANEL	1
402	PR. ADJUSTMENT KNOB GR (470+471)	1
403	PROGRAMME ADJUSTMENT SHAFT	1
420	CARD BOX	1
411	PCB BOX	1
412	ELECTRONIC CARD	1
461	SOCKET HOLDER-F1	1
462	SOCKET HOLDER-F2	1
463	SOCKET HOLDER-F3	1
469	PROGRAM ADJ. INSERT	1
470	PROGRAM ADJ. KNOB	1
471	PROGRAM ADJ. KNOB COVER	1
493	DISPLAY 888 COVER/PARDUS	1
495	E.KART F4 UI 7S + Buzzer DISPLAY	1
496	F4.CARD GR.	1
500	CONTROL PANEL GROUP ( indicated for the website)	1
1100	PCB BOX REAR COVER	1

**\*416-469-470-471-1102 “This spare part is optional and depends on agreed specifications. Therefore you may not find this position number in product’s spare part list.”**

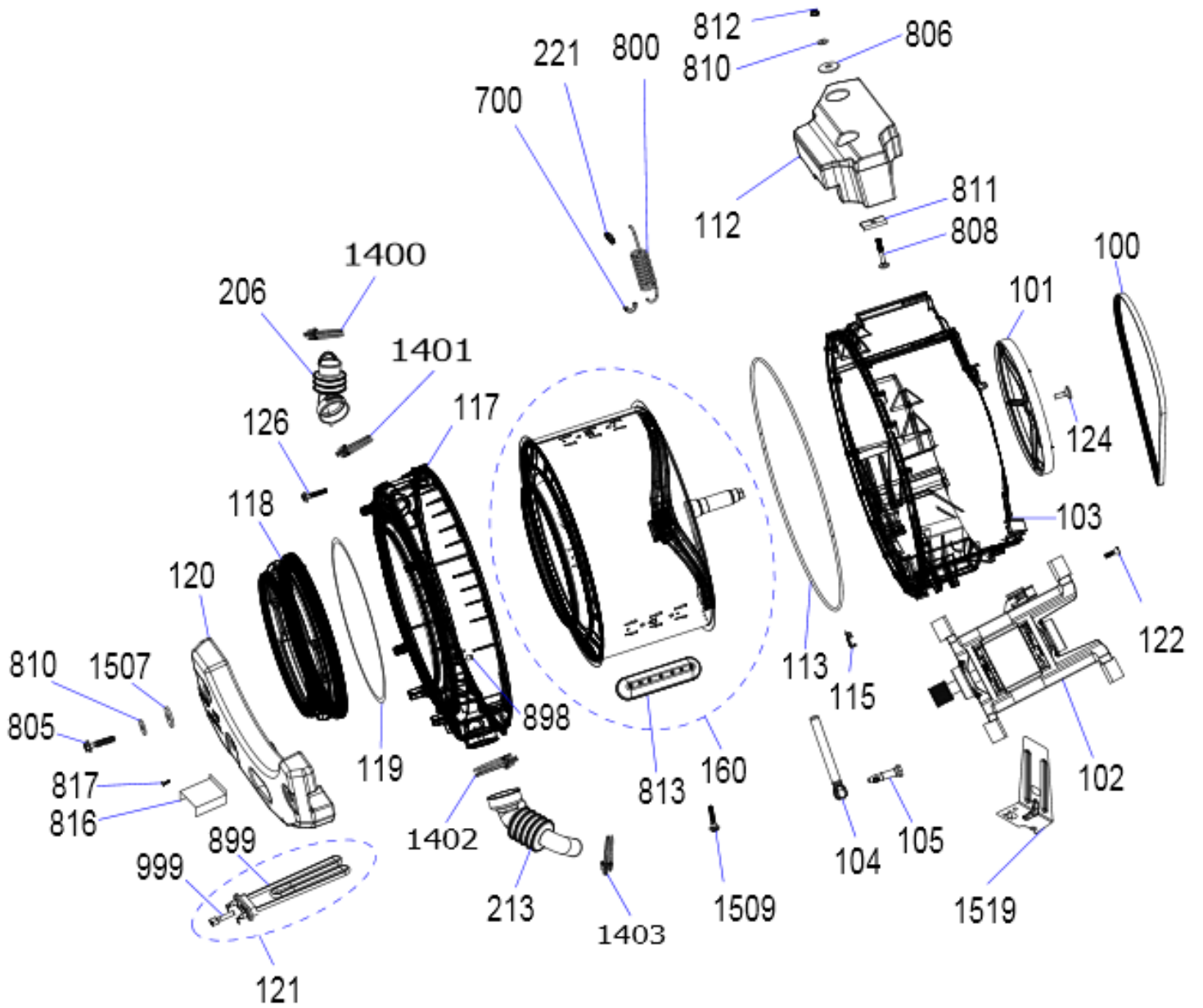
## FRONT PANEL PARTS



NO	PART NAME	QUANTITY
1	BODY GROUP PAINTED	1
2	UPPER TRAY GROUP	1
3	FRONT PANEL GROUP	1
5	ADJUSTABLE FEET	4
9	BODY-GASKET CLAMP	1
10	DOOR LOCK	1
24	UPPER SUPPORT BRAKET	1
410	SCREW 4X12 TORX PAN HE.W.COL.UND.HE.SER.	1
701	PUMP COVER HOUSING	1
702	PUMP COVER	1
1103	EMERGENCY LOCK RELEASE	1
1200	HINGE SUPPORT SHEET	1
1315	FLOOR PLASTIC GR	1
1500	ST 4,8X9,5 PAN HE.WITH COL.TORX UN.SER.E	4
1501	ISO 7049 ST 4,2X16 TORX	2
1504	ISO 7049 ST 4,2X13 TORX	4
1505	ST 4,2X9,5 TRTSB	4
1506	SCREW TT M4X8 TSB	1
1511	FRONT PANEL DROP FIXING PLASTIC-I-B	2

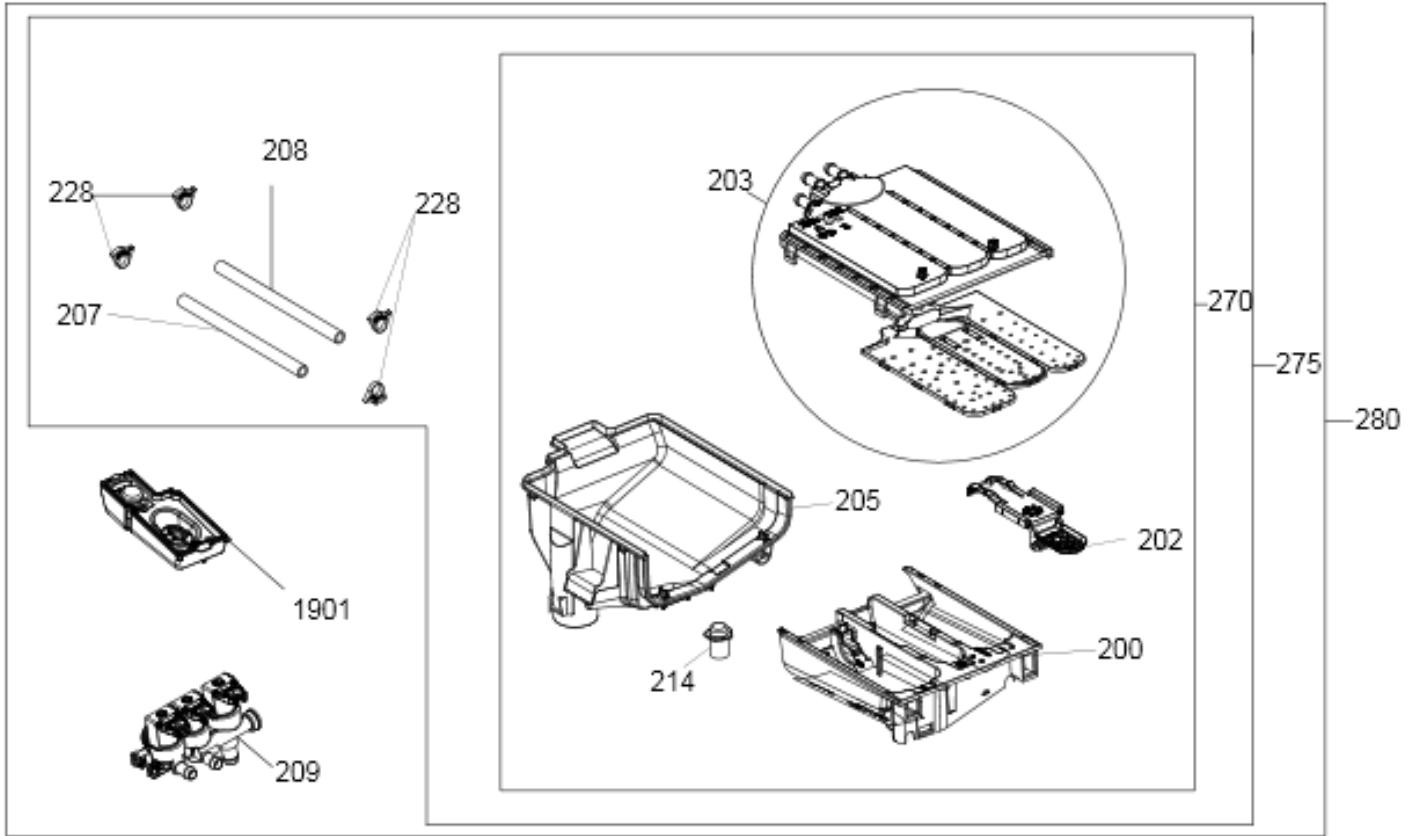
**\*1103 - 1315 – 1506 “This spare part is optional and depends on agreed specifications. Therefore you may not find this position number in product’s spare part list.”**

## WASHING GROUP PARTS



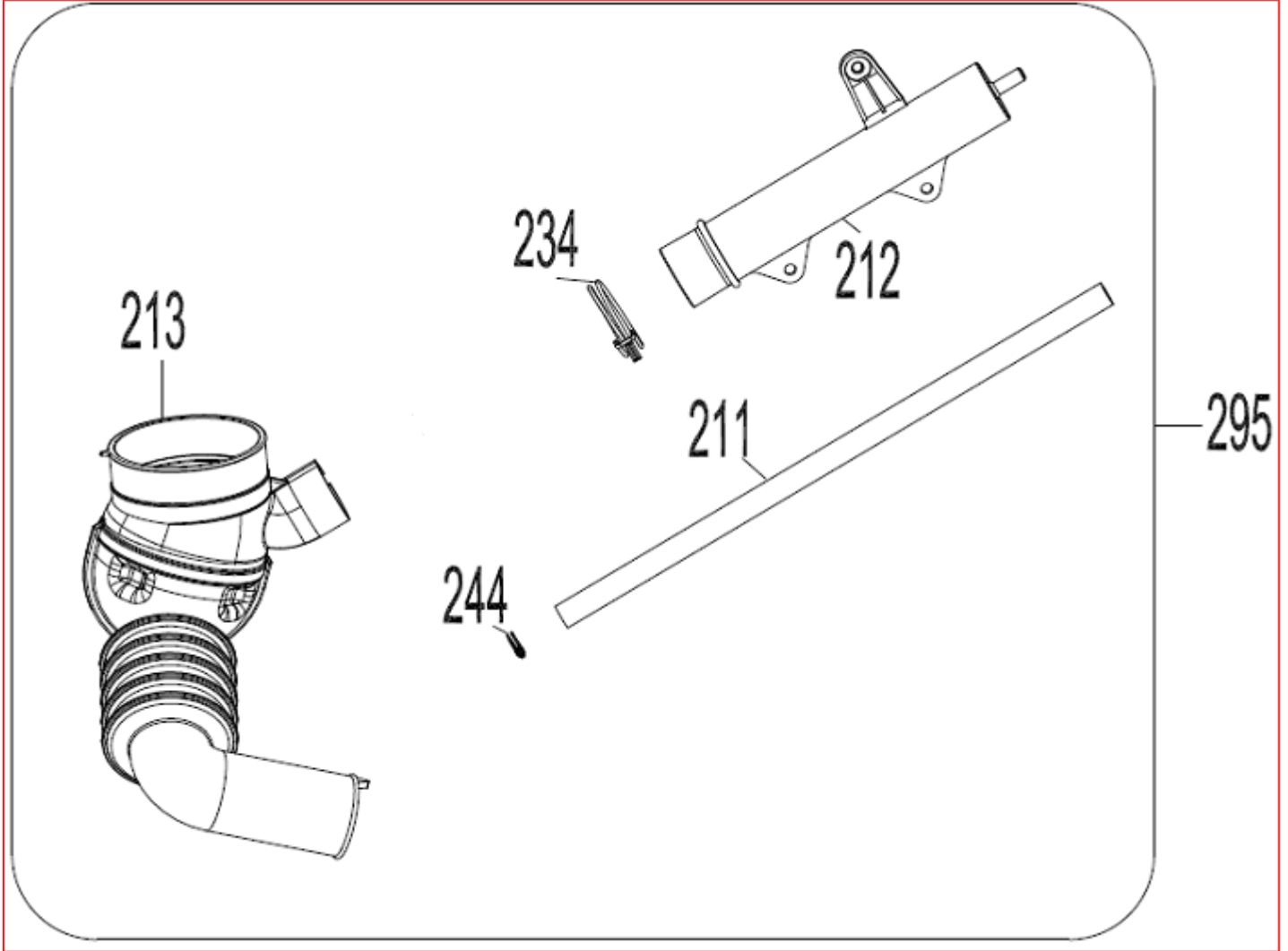
REF. NO	PART NAME	QTY
100	BELT	1
101	DRIVEN PULLEY	1
102	MOTOR	1
103	REAR TUB GROUP	1
104	SHOCK ABSORBER	2
105	SHOCK ABSORBER PIN	4
112	UPPER CONCRETE WEIGHT	1
113	TUB SEAL	1
115	RESISTANCE FIXING WIRE	1
117	FRONT TUB	1
118	TUB BELLOWS SEAL	1
119	TUB GASKET CLIP	1
120	FRONT CONCRETE WEIGHT	1
121	RESISTANCE GR	1
122	SCREW FIXING MOTOR-REAR TUB ASSY.(COUNTERSUNK HEAD BOLT 8X28 TORX)	4
124	BOLT FIXING DRIVEN PULLEY-DRUM SHAFT ASSY. (37020184 SCREW M8x29 THB)	1
126	BOLT FIXING FRONT TUB-REAR TUB ASSY.(HEXAGON HEAD BOLT 6X30 PT)	19
160	DRUM GROUP	1
206	TUB ENTERANCE WITH BELLOW HOSE	1
213	TUB EXIT BELLOW HOSE WITH BALL	1
221	HANGER SPRING SHEETIRON PLS	2
700	TUB HANGER SPRING PART	2
800	TUB SPRING-PYTHON	2
805	HEXAGON HEAD BOLT 10 X 52	4
806	PLAIN WASHER 8.4X28X3	2
808	MUSHROOM HEAD SQUARE NECK BOLT M 8X65	2
810	WASHER USED AT COUNTERWEIGHT-TUB ASSYS. (CONICAL SPRING WASHER 8.4X18X2 (DIN 6796) (SAFETY))	6
811	UPPER COUNTERWEIGHT BOLT SUPPORT SHEET	2
812	NUT FIXING UPPER COUNTERWITGHT-TUB ASSY. (HEX.NUT WITH FLANGE SERRATED M8 DIN6923)	2
813	PLASTIC LIFTER	3
*816	RESISTANCE PROTECTION FOIL-1-C	1
*817	SCREW FIXING RES. PROT. FOIL-TUB ASSY.(SCREW 3,5X7PAN HEAD WITH COLAR CROSS RE.)	2
898	PSW HOSE MOUNTING RUBBER-10MM	1
899	RESISTANCE WITHOUT NTC	1
999	NTC	1
1400	SCREWED HOSE CLAMP Ø65	1
1401	SPRING TYPE BANT CLAMP	1
1402	HOSE CLAMP SCREW TYPE Ø72	1
1403	HOSE CLAMP Ø38,8	1
1507	WASHER USED TO FIX FRONT COUNTERWEIGHT(PLAIN WASHER 10.5X40X2.5)	4
*1509	SCREW 4X14 PAN HEAD TORX INOX	3
1519	BRACKET_BLDC	1

**\*816 – 817-1509 “This spare part is optional and depends on agreed specifications. Therefore you may not find this position number in product’s spare part list.”**

**DETERGENT DRAWER GROUP**

NO	PART NAME	QUANTITY
200	DETERGENT DRAWER	1
202	SIPHON COVER	1
203	WATER DISTRIBUTION PLATE GROUP	1
205	DETERGENT DRAWER HOUSING	1
207	VALVE-DETERGENT BOX HOSE	1
208	VALVE-DETERGENT BOX HOSE	1
209	VALVE(TWO EXIT)	1
214	DETERGENT DRAWER LOCKING PART	1
228	PLASTIC HOSE CLAMP	6
270	DETERGENT BOX GROUP	1
275	DETERGENT BOX GROUP/HOSE	1
280	DETERGENT BOX GROUP/FULL	1
*1901	LIQUID DETERGENT RESERVOIR	1

\*1901 "This spare part is optional and depends on agreed specifications. Therefore you may not find this position number in product's spare part list."

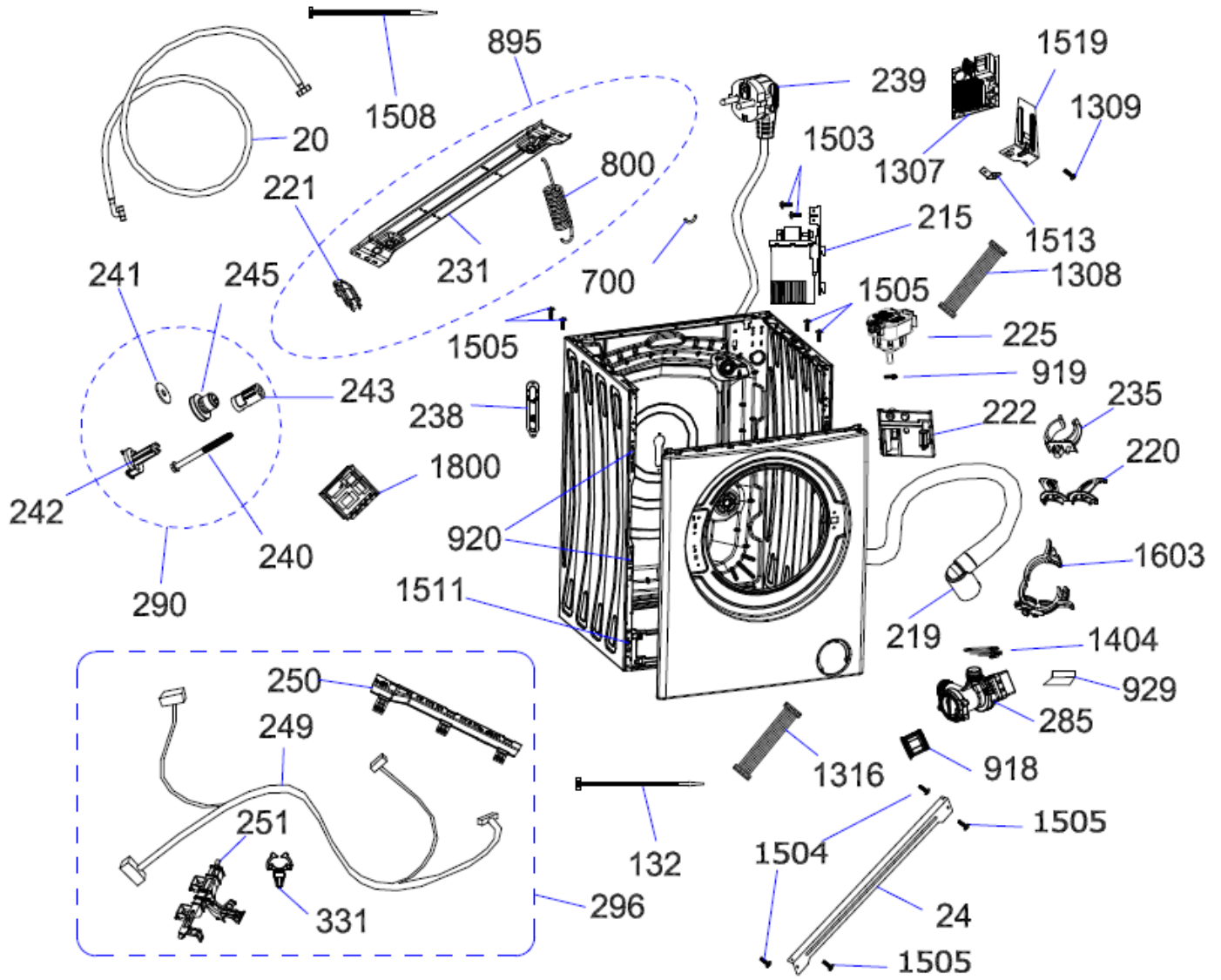
**PRESSURE SWITCH HOSE GROUP**

NO	PART NAME	QUANTITY
213	TUB EXIT WITH BELLOW HOSE	1
212	PRESSURE SWITCH WATER RESERVOIR	1
211	PRESSURE SWITCH HOSE	1
234	HOSE CLAMP Ø32,7	1
244	HOSE CLAMP Ø9,6	1
295	PRESSURE SWITCH HOSE GROUP	1

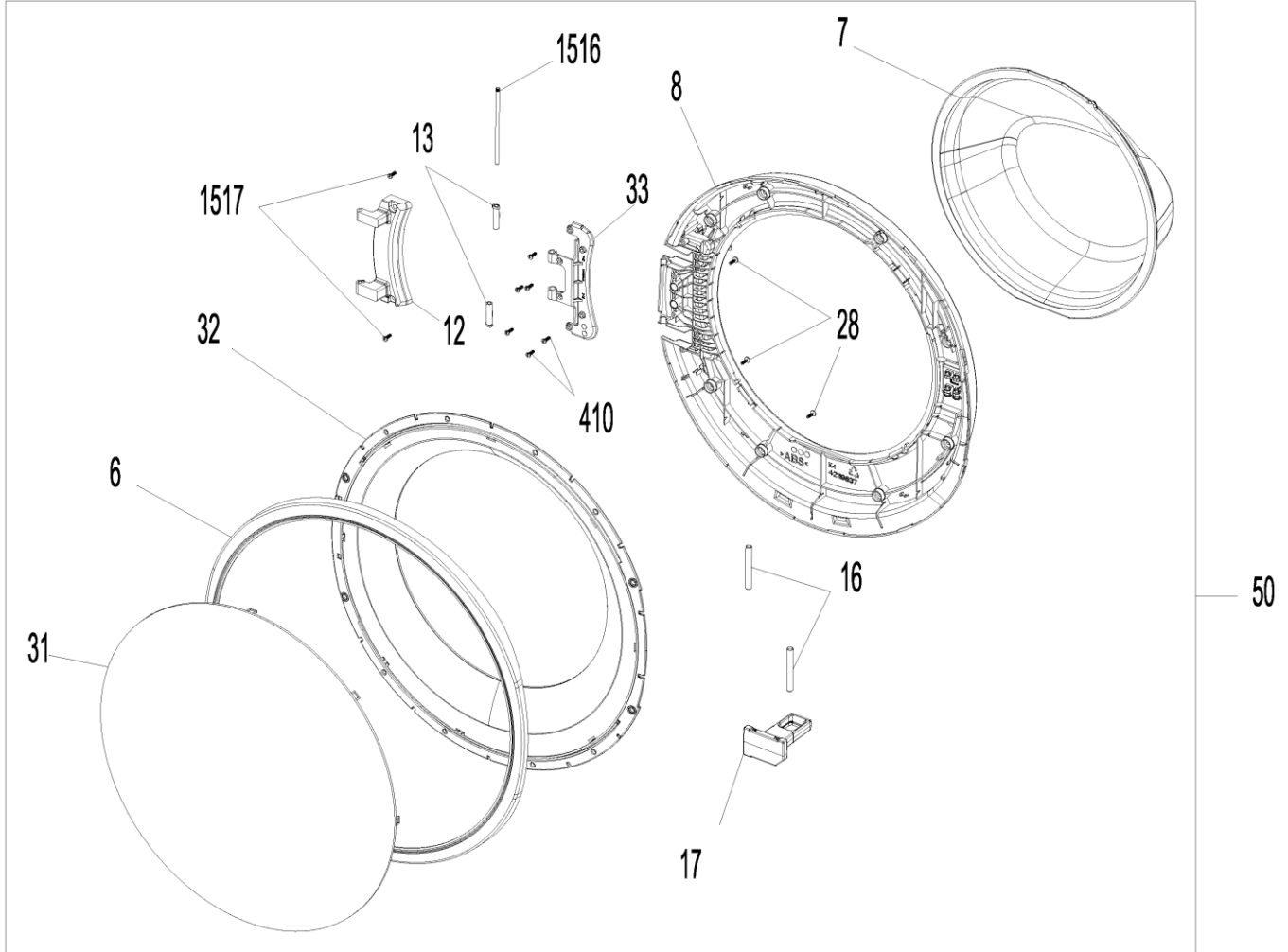
213-212-211-234-244----- PRESSURE SWITCH HOSE GROUP



### BODY GROUP PARTS



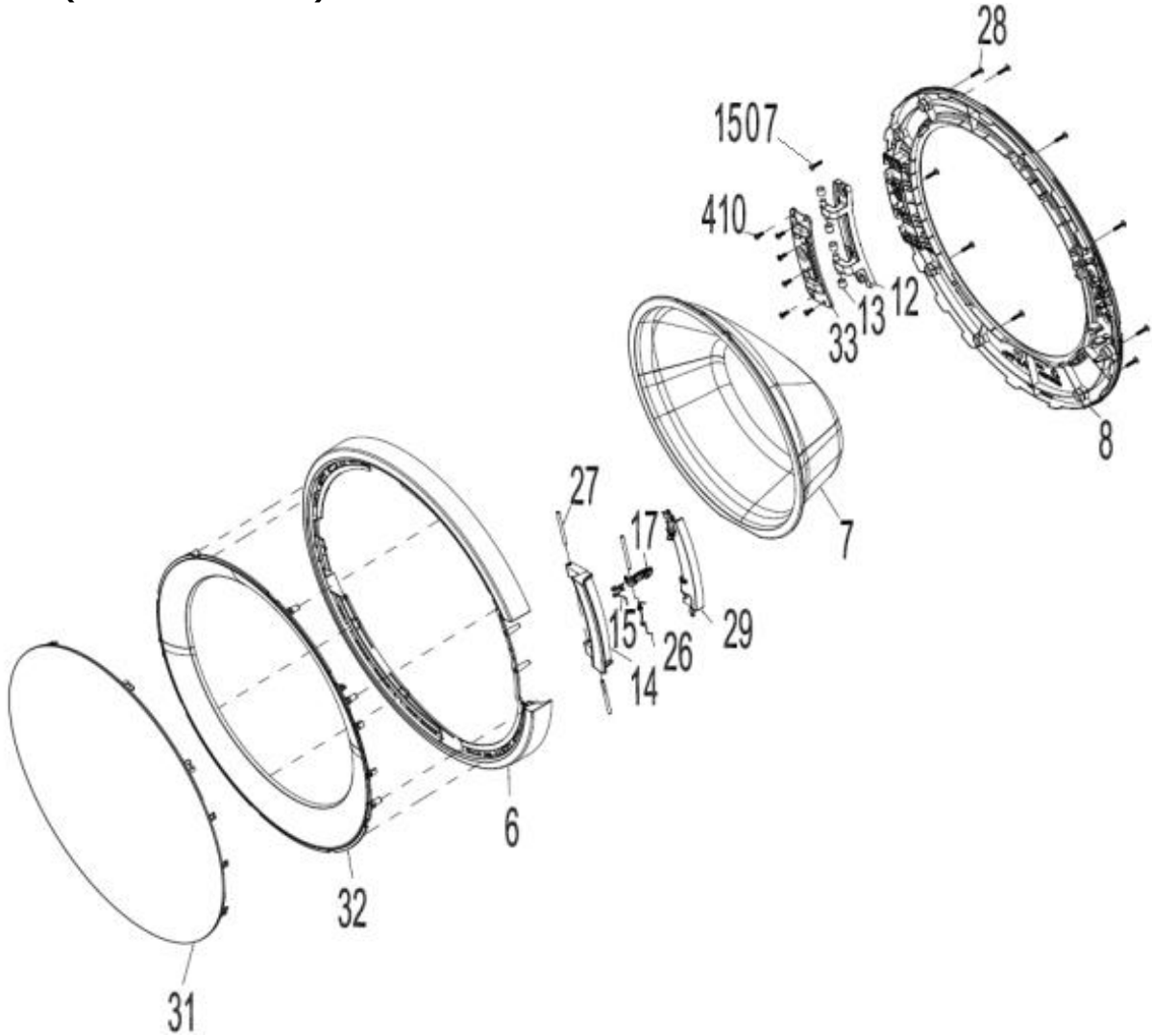
REF. NO	PART NAME	QTY
20	WATER ENTRY HOSE GROUP	1
24	UPPER SUPPORT BRACKET	1
132	CABLE TIE(YKB150)	7
215	EMI FILTER	1
219	DRAIN HOSE	1
220	DRAIN HOSE ROUTER PLASTIC	1
221	HANGER SPRING BRACKET PLS.	2
222	PRESSURE SWITCH MOUNTING CLIP	1
225	ELECTRONIC PRESSURE SENSOR	1
231	SPRING HANGER BRACKET	1
235	DRAIN HOSE HOLDING PLS	4
238	SPEED CONTROL HOLE STOPPER	1
239	POWER CORD GROUP	1
240	TRANSPORT SCREW	4
241	PLAIN WASHER 8,30X29X2	4
242	TRANSPORT SCREW PLASTIC-A-II	4
243	TRANSPORT SCREW PLASTIC-B-II	4
245	TRANSPORT SCREW EPDM	4
249	CABLE HARNESS	1
250	CABLE HARNESS HOLDER PLS	1
251	CABLE HOLDER AND ROUTER PLASTIC-L	1
285	PUMP GROUP	1
290	TRANSPORT SCREW GROUP-II	4
296	CABLE GR	1
331	LOCKING WIRE SADDLE (BLUE)	1
700	TUB HANGER SPRING PART (PLASTIC HOUSING PART BETWEEN TUB AND SPRING HOOK)	2
800	TUB SPRING	2
895	SPRONG HANGER BRACKET GROUP	1
918	PUMP FILTER	1
919	HOSE CLAMP Ø8,6	1
920	FRONT PANEL DROP FIXING PLASTIC-II	4
929	PUMP PROTECTION FOIL	1
1307	PCB BOX GR BLDC	1
1308	EGO BLDC EARTH CABLE	1
1309	THREAD ROL.SCREW M4X8 PAN H.TORX UN.H.S.	1
1316	EGO BLDC COMMUNICATION	1
1404	HOSE CLAMP	1
1503	ST 4,2X9,5 PAN HEAD W.COL.T.UNDER.SER.EA	2
1504	ISO 7049 ST 4,2X13 TORX	4
1505	ST 4,2X9,5 TRTSB	4
1508	CABLE TIE	1
1511	FRONT PANEL DROP FIXING PLASTIC	2
1513	MALE GROUND TERMINAL(STEEL)	1
1519	BRACKET_BLDC	1
1603	INTERNAL HOSE HOLDER PLASTIC	1
1800	PYROJET CARD GROUP	1

**DOOR GROUP (Spare parts are ordered by relevant product according to the below exploded view.)  
(Without Door Handle)**

NO	PART NAME	QUANTITY
6	OUTER DOOR PLASTIC	1
7	DOOR GLASS	1
8	INNER DOOR PLASTIC	1
12	HINGE	1
13	HINGE BUSH	2
17	DOOR HOOK	1
*28	SCREW 3,5X16 PAN HEAD WITH COLLAR UNDER HEAD SERRATED	*9/10
31	FRONT DOOR COVER	1
32	OUTER DOOR PLASTIC INNER FRAME	1
33	DOOR HINGE SUPPORT SHEET	1
410	SCREW 4X12 PAN HEAD WITH COLLAR UNDER HEAD SERRATED	6
1516	HINGE PIM	1
1517	SCREW M6X20 TSB SPIRAL FORM	2
50	PORTHOLE GROUP (all parts)	1

\*28 - " Mentioned material varies due to Door esthetic. Please control the amount of material over product then order."

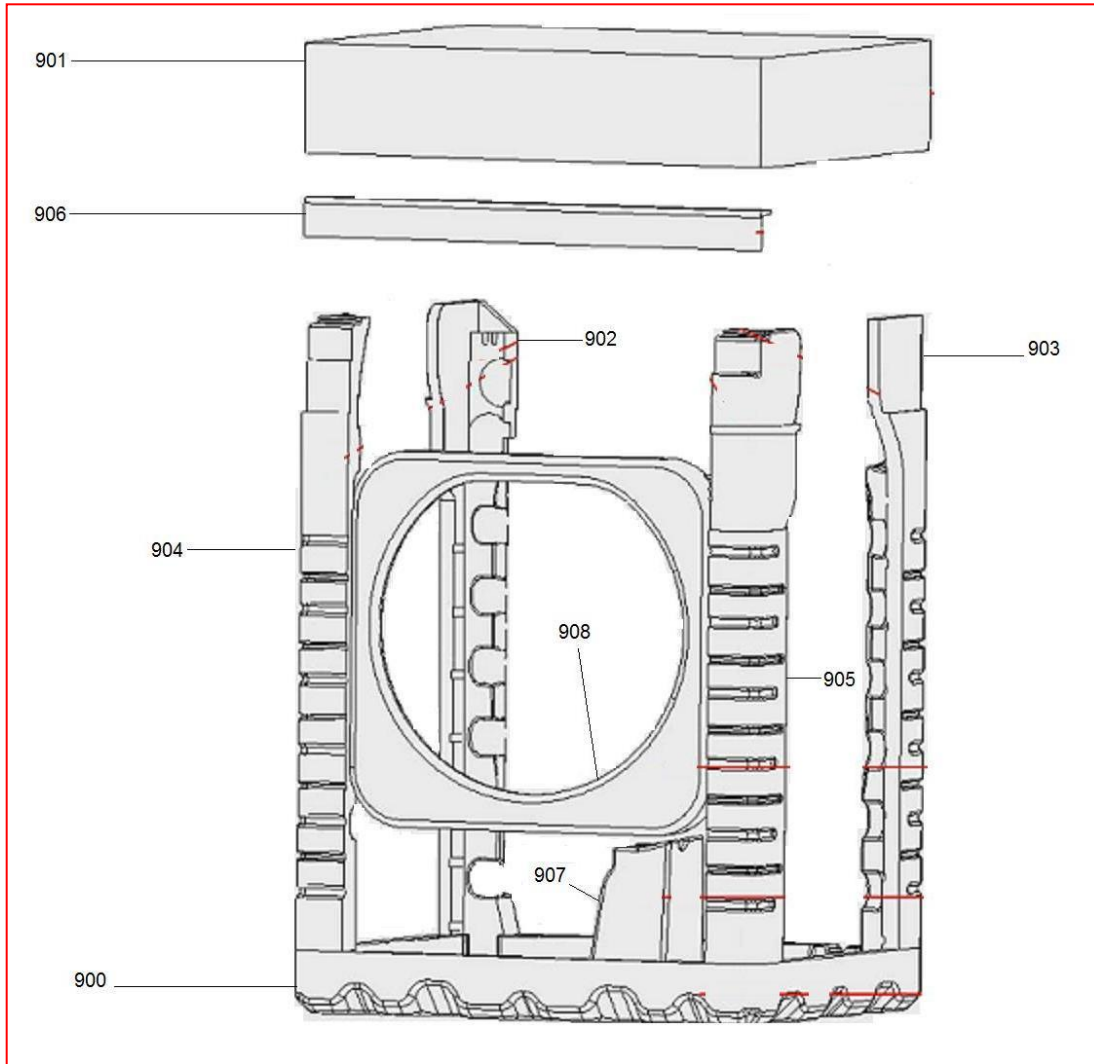
\*29-31-32" "This spare part is optional and depends on agreed specifications. Therefore you may not find this position number in product's spare part list."

**DOOR GROUP (With Door handles)**

NO	PART NAME	QUANTITY
31	FRONT DOOR COVER	1
7	DOOR GLASS	1
8	INNER DOOR PLASTIC	1
12	HINGE	1
13	HINGE BUSH	1
14	DOOR HANDLE	1
15	HOOK SPRING	1
26	HANDLE SPRING	1
27	HANDLE PIN	3
28	SCREW 3,5X16 PAN HEAD WITH COLLAR UNDER HEAD SERRATED	9
29	OUTER DOOR PLASTIC INSERT PART	1
32	OUTER DOOR PLASTIC INNER FRAME	1
6	OUTER DOOR PLASTIC	1
33	DOOR HINGE SUPPORT SHEET	1
410	SCREW 4X12 PAN HEAD WITH COLLAR UNDER HEAD SERRATED	6
50	PORTHOLE GROUP (all parts)	1
1507	SCREW	2

\*28” Mentioned material varies due to Door esthetic. Please control the amount of material over product then order.”

\*29-31-32”“This spare part is optional and depends on agreed specifications. Therefore you may not find this position number in product’s spare part list.”

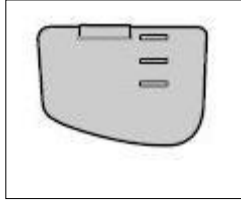
**PACKAGING GROUP**

NO	PART NAME	QUANTITY
900	BOTTOM STYROFOAM	2
901	TOP CARTON	1
902	REAR STYROFOAM(LEFT)	1
903	REAR STYROFOAM(RIGHT)	1
904	FRONT STYROFOAM LEFT	1
905	FRONT STYROFOAM RIGHT	1
906	CORNER CARDBOARD	1
907	TUB SUPPORT STYROFOAM	1
*908	PORTHOLE PRO. STYROFOAM	1
911	PACKAGE GROUP(900+901+902+903+904+905)	1

\*908 - "This spare part is optional and depends on agreed specifications. Therefore you may not find this position number in product's spare part list."

**ACCESSORIES**

995



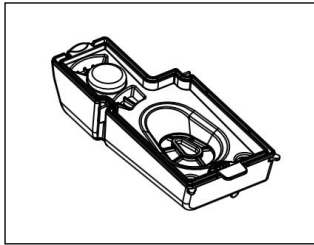
996



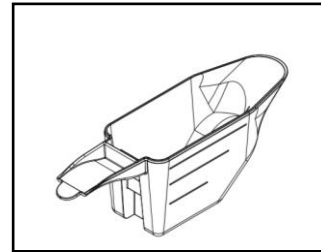
997



998



1900



1900

NO	PART NAME	QUANTITY
995	ENERGY LABEL	1
996	LIQUID DETERGENT LEVEL PLATE	1
*997	DRAIN HOSE COAT RACK	1
998	TRANSPORT SCREW STOPPER	4
*1900	DETERGENT POWDER SCALE	1
*1901	LIQUID DETERGENT RESERVOIR	1

\*997 - 1900 - 1901 "This spare part is optional and depends on agreed specifications. Therefore you may not find this position number in product's spare part list."