

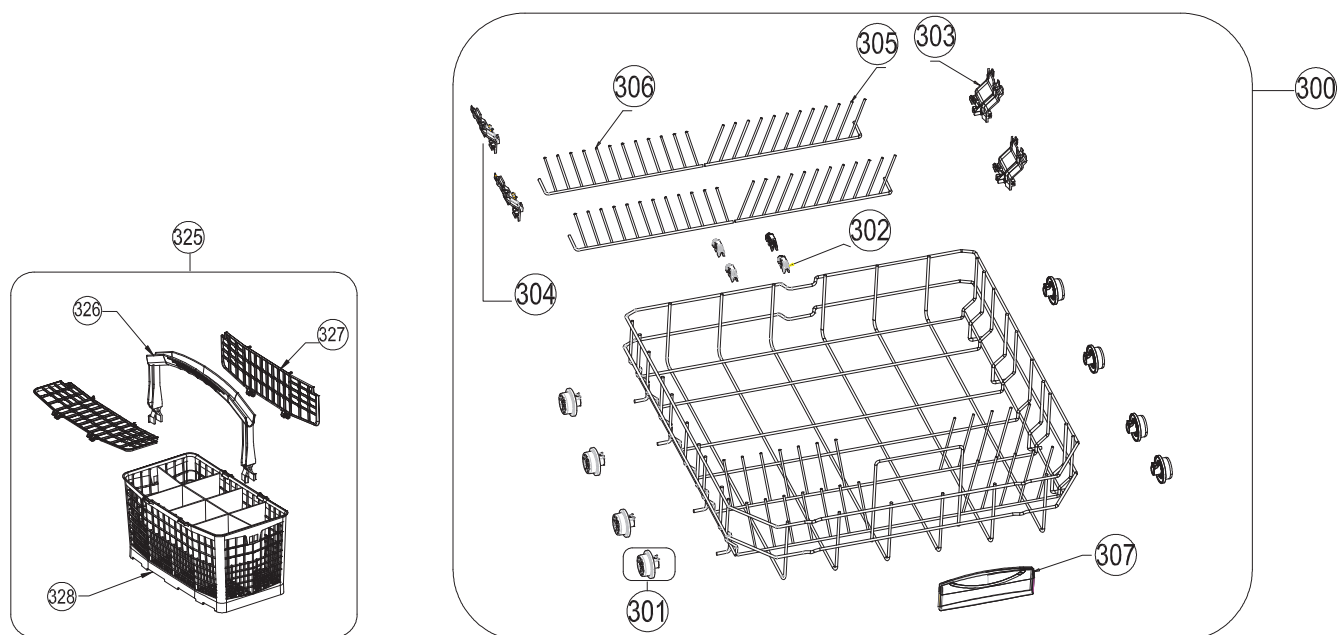
VESTEL

WHITE GOODS

VESTEL DISWASHER MACH .

LOWER BASKET GROUP

CUSTOMER
SUPPORT



NO	PART NAME
300	LOWER BASKET GR.FOLD.SPIKES (301-302-303-304-305-306-307)
301	LOWER BASKET WHEEL GROUP
302	FOLDABLE COMBS HOLDER PLASTIC
303	FOLDING SPIKES MECHANISM-RIGHT
304	FOLDING SPIKES MECHANISM-LEFT
305	FOLDDOWN COMB-RIGHT
306	FOLD DOWN COMB-LEFT
307	BOTTOM BASKET PLASTIC HANDLE
325	PLASTIC SET BASKET (326-327-328)
326	PLASTIC BASKET HANDLE
327	PLASTIC BASKET COVER
328	PLASTIC BASKET

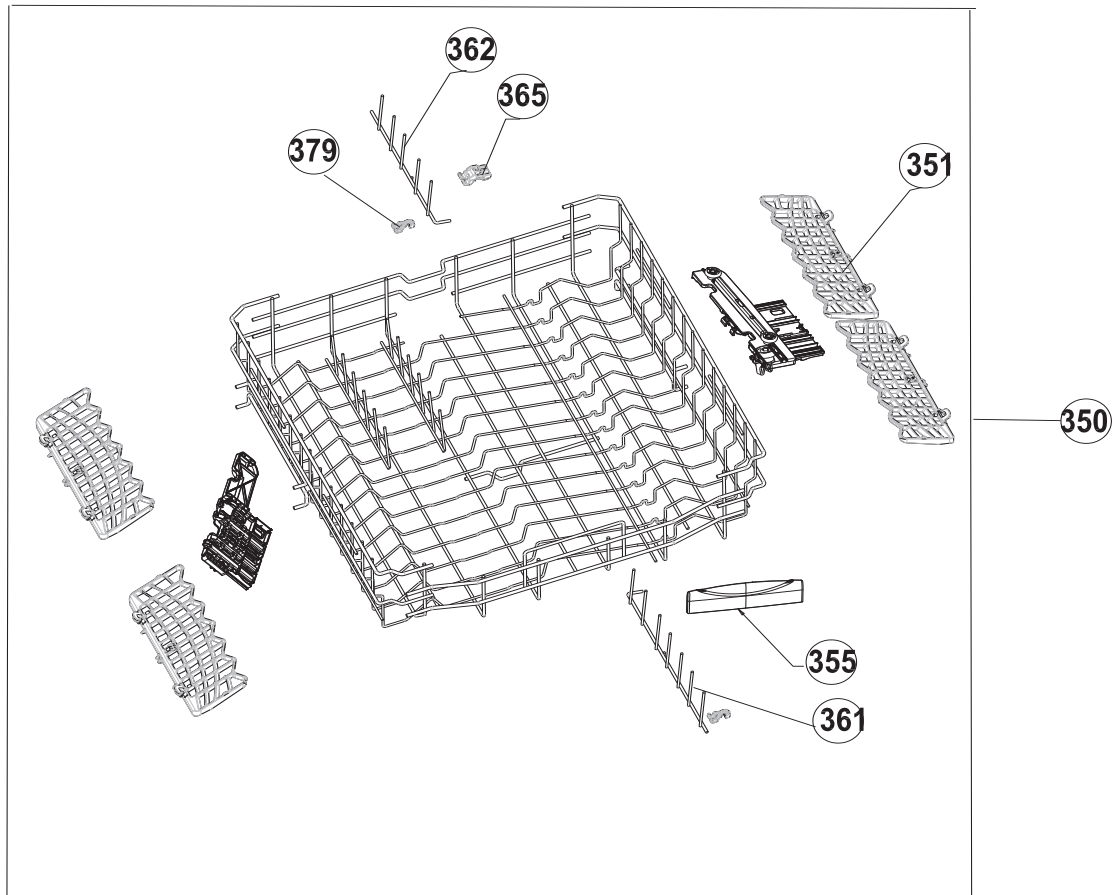
APRIL 2017

VESTEL

WHITE GOODS

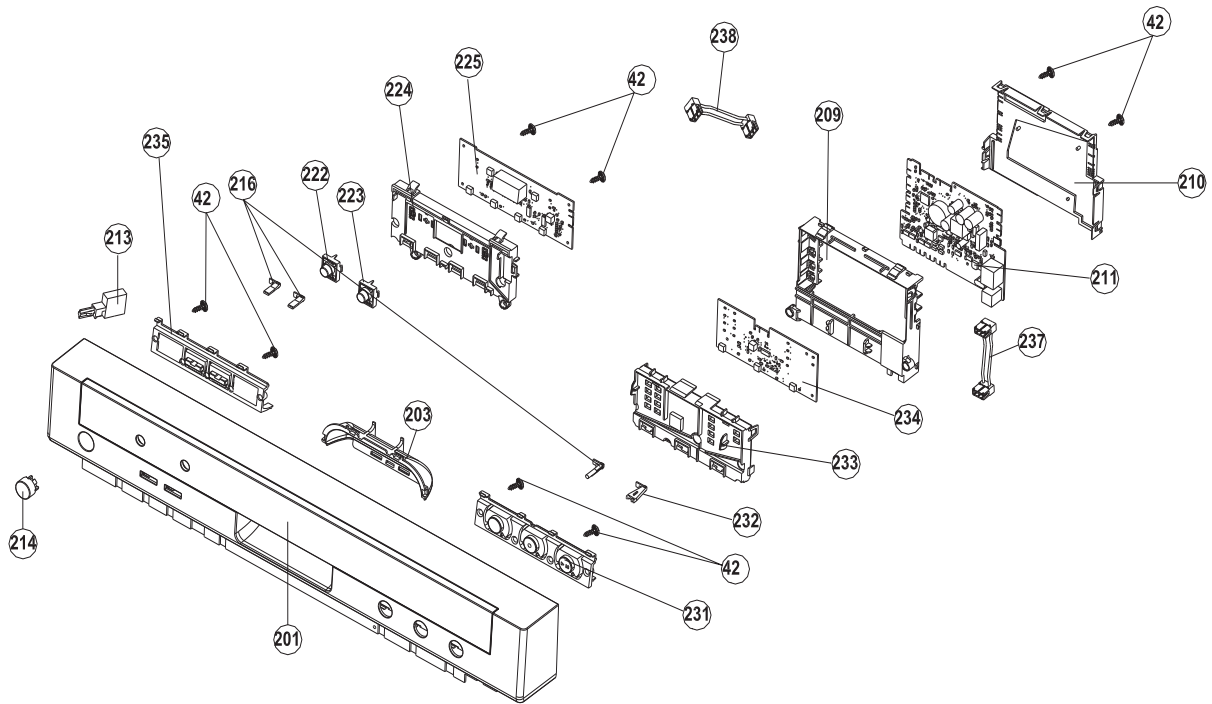
VESTEL DISWASHER MACH .

UPPER BASKET GROUP

CUSTOMER
SUPPORT

NO	PART NAME
350	UPPER BASKET GR
351	MUG SHELF/45 RAL 7046
352	UPPER BASKET WHEEL GR.
355	UPPER BASKET HANDLE
361	FOLDING SPIKES-1A
362	FOLDING SPIKES-1B
365	FOLDING SPIKES MECHANISM-1
379	FOLDING SPIKES HOLDER PLS

APRIL 2017



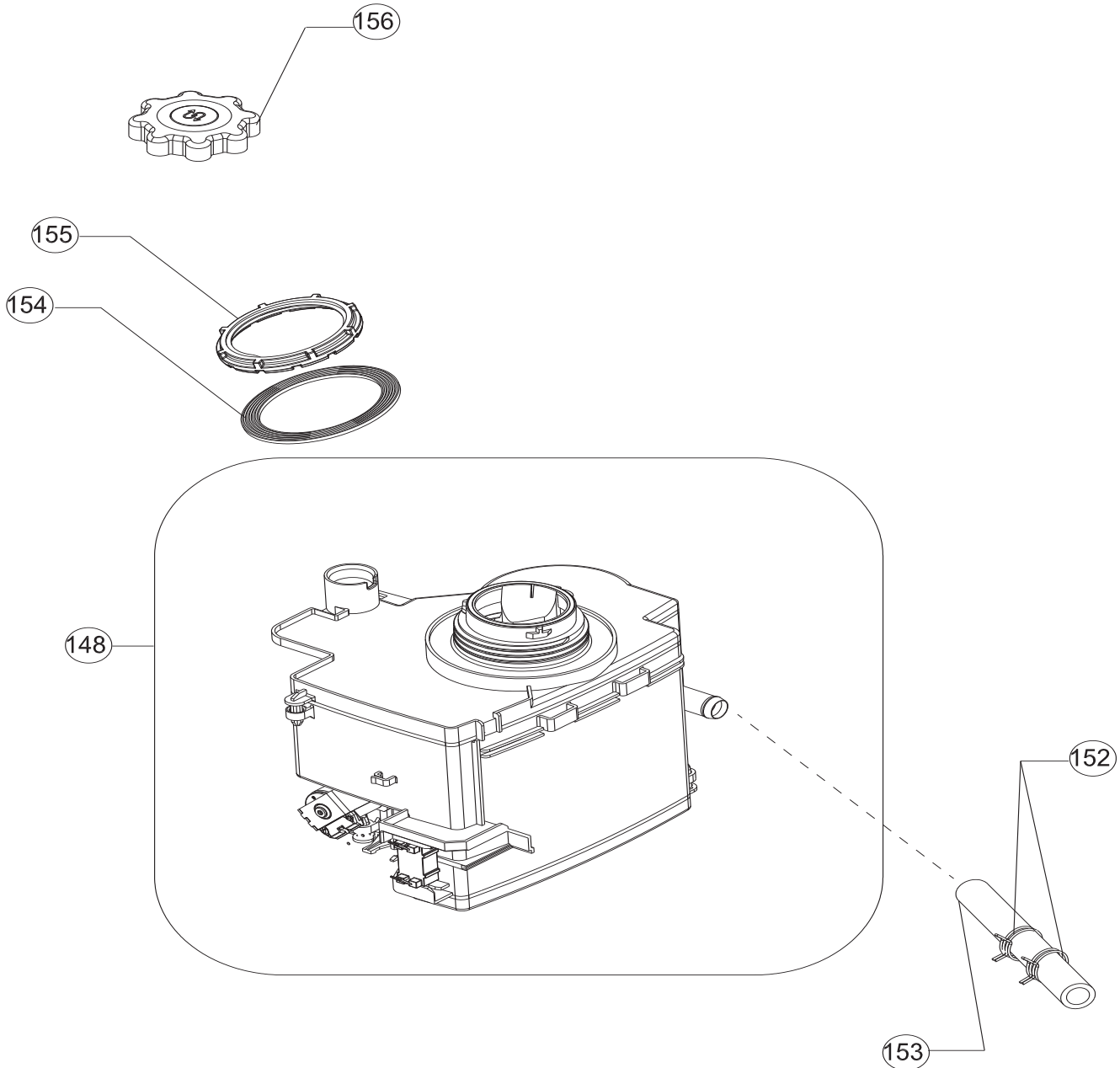
NO	PART NAME
200	CON.PAN.GR/ (201-203-231-235-223-222-216-232-209-210-42)
201	CON.PAN.SRGFT
203	HANDLE
231	PROGRAM BUTTON GR-1
235	OPTION BUTTON GR-1
223	DISPLAY BUTTON / DS/+
222	DISPLAY BUTTON / DS/-
216	BUTTON SHAFT
232	BUTTON SHAFT
233	PCB BOX-1
209	PCB BOX-2
210	PCB BOX-2 REAR COVER
224	DISPLAY CARD U14
42	SCREW PT3,5X9YSB(F.LI VE T.LI)
211	ELECTRONIK CARD T13
234	DISPLAY CARD U13
225	DISPLAY CARD U31
237	U1X DISPLAY CABLE
213	ON/OFF SWITCH
238	U2X U3X DISPLAY CABLE

VESTEL

WHITE GOODS

VESTEL DISWASHER MACH .

WATER SOFTENER GROUP

CUSTOMER
SUPPORT

NO	PART NAME
148	WATER SOFTENER GR.WITH REED RELAY
152	CLAMP Dmax19,6X8,8
153	HOSE D12*3*160
154	WATER SOFTENER NUT GASKET
155	WATER SOFTENER NUT
156	SALT CAP GROUP (MAGNETIC VERSION)

APRIL 2017

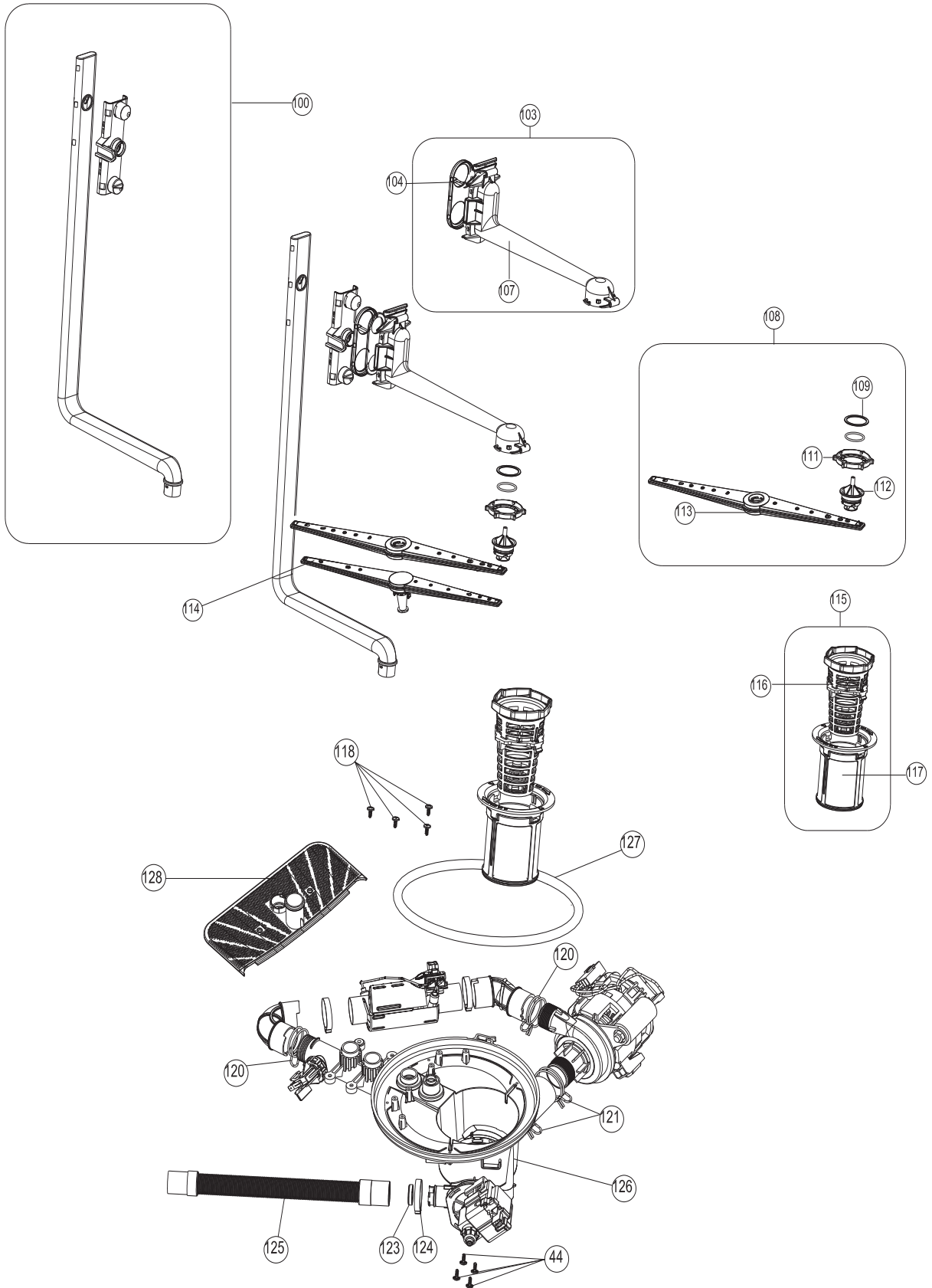
VESTEL

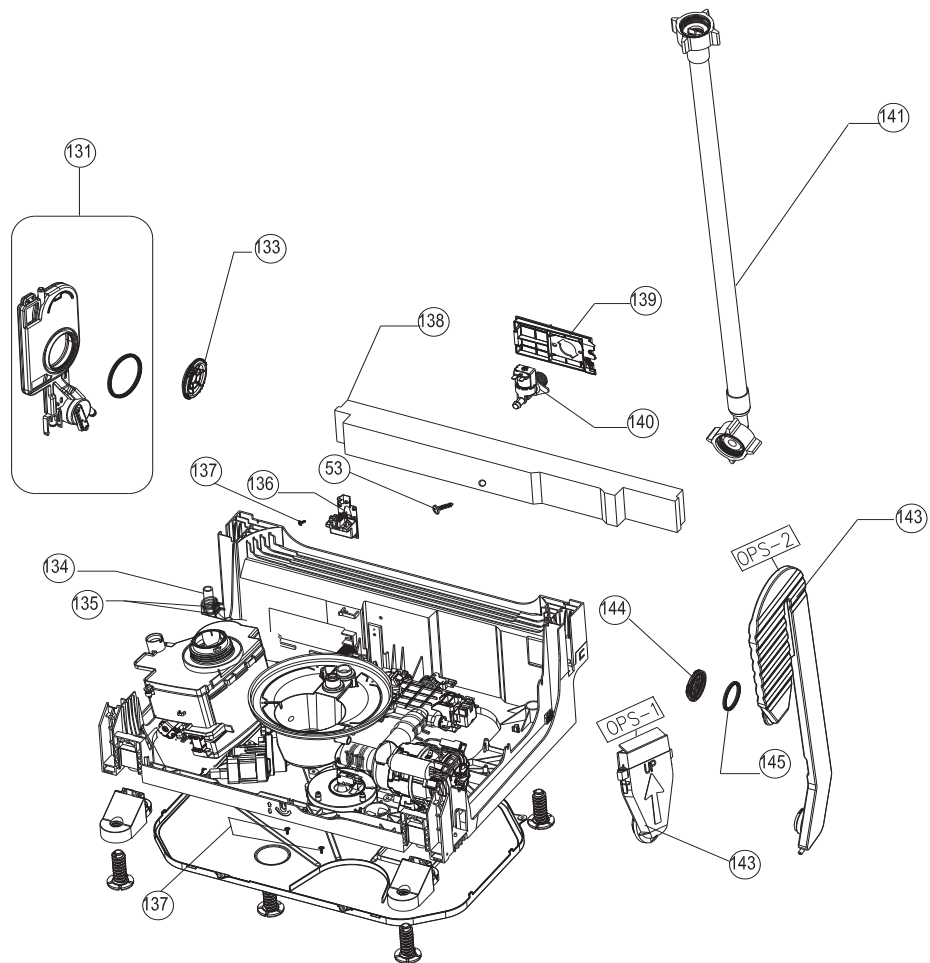
WHITE GOODS

VESTEL DISWASHER MACH .

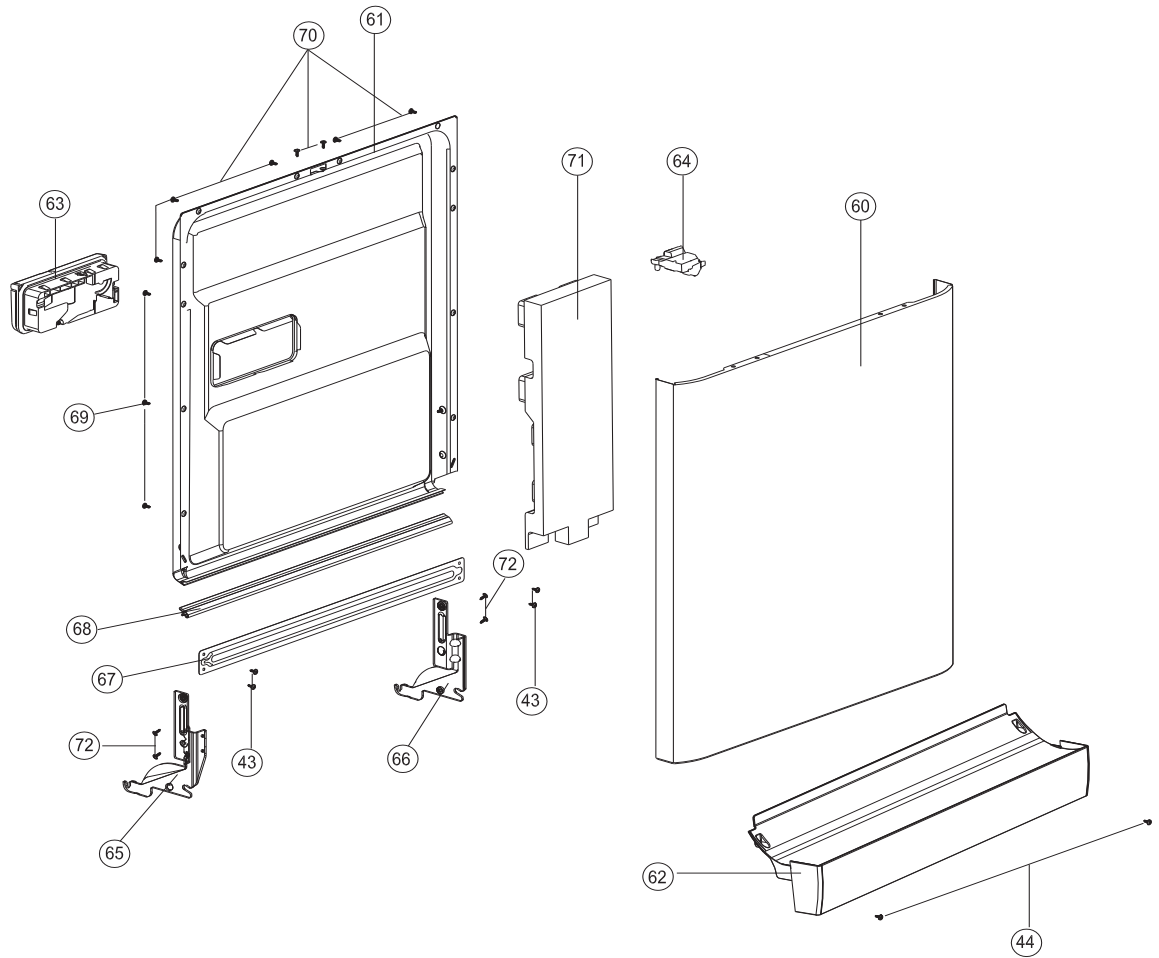
UPPER HYDROLIC GROUP

CUSTOMER
SUPPORT

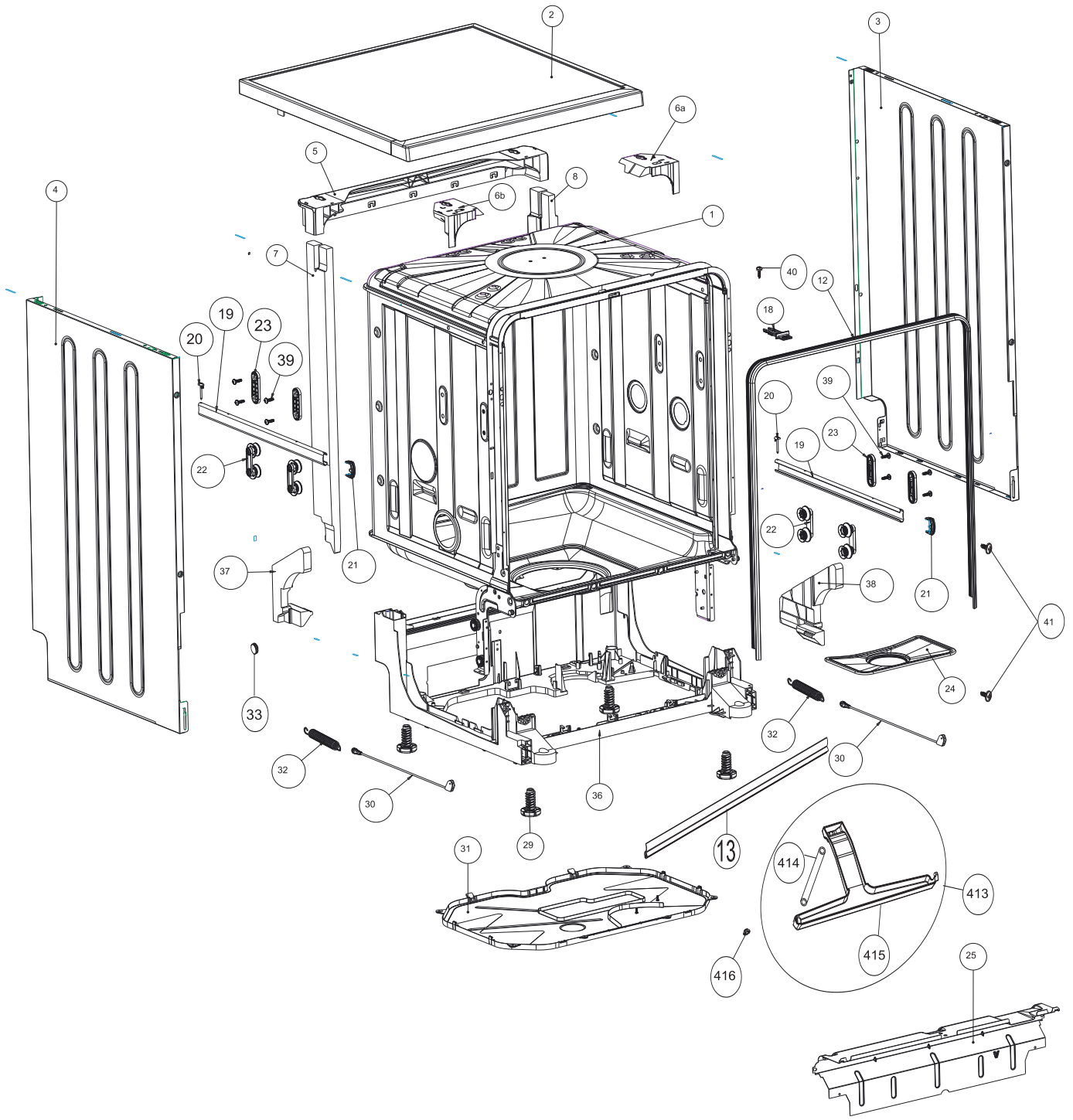




NO	PART NAME
131	AIR BREAK GROUP
133	AIR BREAK NUT
134	HOSE D10*3*230
135	CLAMP Dmax16,8x8,4
136	PARASITE FILTE
137	SCREW PT3X9 YSB
138	CONCRETE WEIGHT
139	BASEMENT HOSE.CON.PLS.
140	WATER INLET VALVE
141	WATER INLET VALVE HOSE
143	STEAM CONDERSER (PLEASE ORDER THE SPARE PART WHICH IS USED IN YOUR MACHINE)
144	STEAM CONDERSER NUT
145	STEAM CONDERSER SEALING NUT
53	SCREW 4X42,5 YHB



NO	PART NAME
60	DOOR OUTSIDE
61	DOOR INSIDE SHEETIRON GROUP
62	PLASTIC KICK PLATE
63	DISPANSER WITHOUT REED RELAY
64	DOOR LOCK
65	HINGE MOVEMENT SHEETIRON LEFT
66	HINGE MOVEMENT SHEETIRON RIGHT
67	TWISTED SHEETIRON
68	DOOR SEAL
69	SCREW ST 3,9X12 FLAT HEAD INOX
70	SCREW PT4X14 FLAT HEAD INOX
71	DOOR SUPPORT STYROFOAM
72	SCREW M5X10 TORK HEAD (S)
43	SCREW M4X9 PAN HEAD (S)
44	SCREW PT 4X12 PAN HEAD COLLAR CROSS

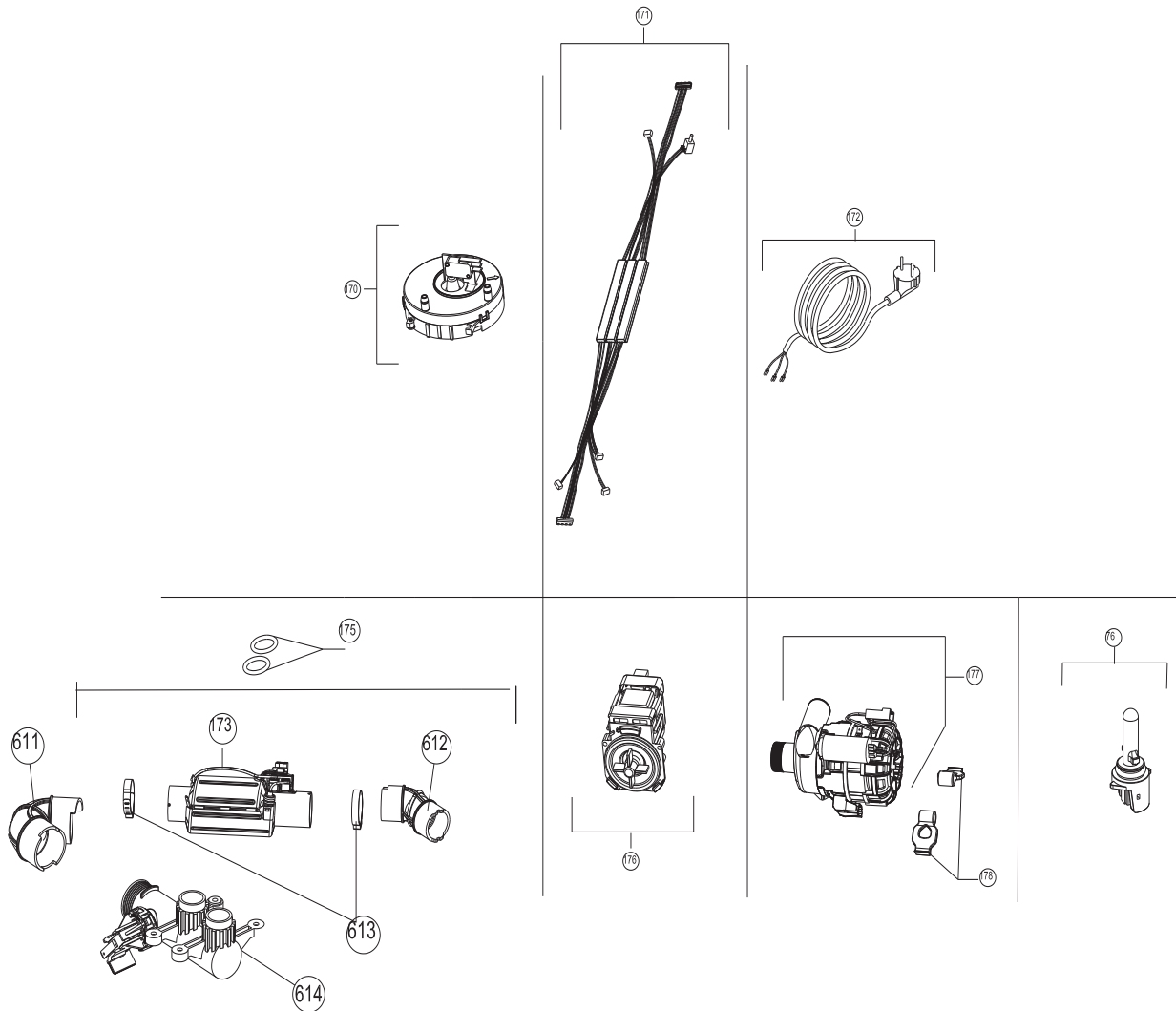


VESTEL

WHITE GOODS

VESTEL DISWASHER MACH .

COMPONENTS

CUSTOMER
SUPPORT

NO	PART NAME
170	FLOATER
171	CABLE HARNESS
172	POWER CABLE 180cm/WHITE
173	HEATER FLOW THROUGH
175	HEATER CASING O-RING
176	DRAIN PUMP
177	WASHING PUMP
178	WASHING PUMP VINE SUPPORT
76	NTC/SLIM
611	HOSE HEATER-ECO
612	HOSE PUMP-HEATER
613	HOSE HANDCUFFS/FLOW THROUGH
614	ECO GR/FT

APRIL 2017