

S/M No. : FR43000010

Service Manual

Refrigerator

Model: FR-430

DAEWOO



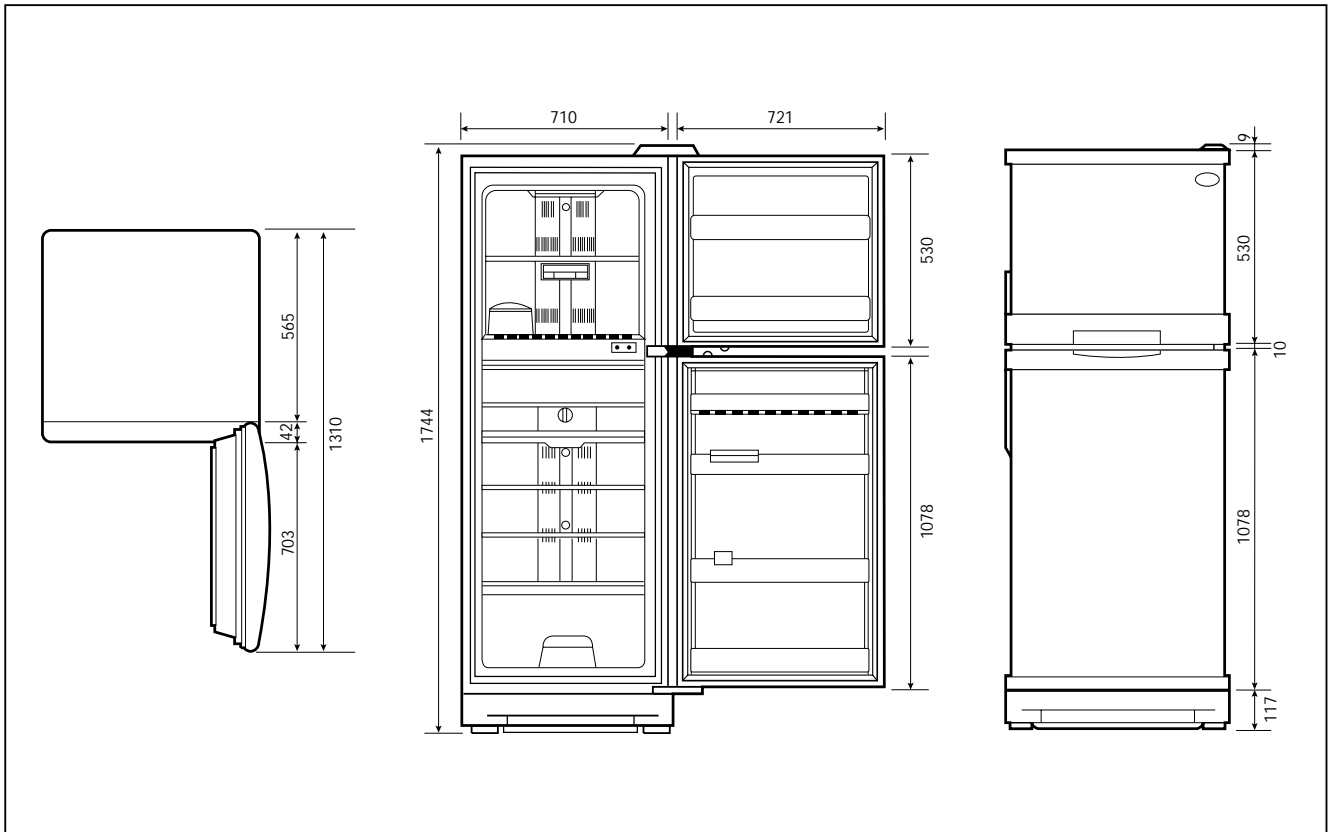
DAEWOO ELECTRONICS CO., LTD.

1. Specification	1
2. External view.....	2
3. Wire diagram	3
4. Name of parts.....	4
5. Air flow diagram.....	5
6. Refrigerant cycle diagram	6
7. Machine room view and part list.....	7
8. Main components.....	8
9. Door color specification.....	11
10. Exploded view and parts list	14

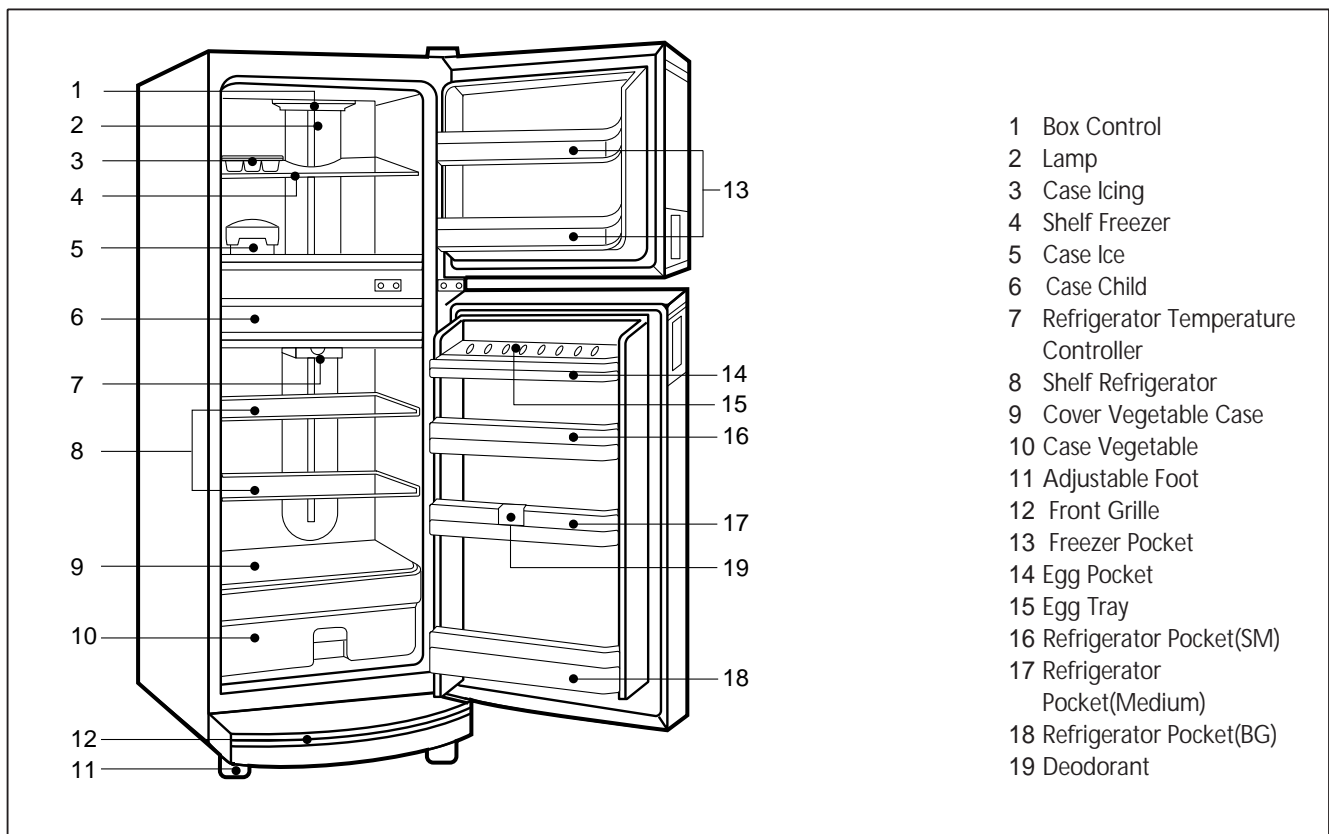
1. SPECIFICATION

MODEL NAME		FR-430
Refrigerant	R12	170g
	R134a	145g
Cooling System		Fan Cooling Convection
Refrigeration System		Air Forced Convection
Defrost System		Fin Evaporator Forced
Defrost Operation		Automatic Start & Stop
Cold Control		Adjustable Dial
Capacity	Freezer	86 ℓ
	Refrigerator	273 ℓ
	Total	359 ℓ
External Dimension	Height	1744mm
	Width	721mm
	Depth	655mm
Net Weight		77Kg

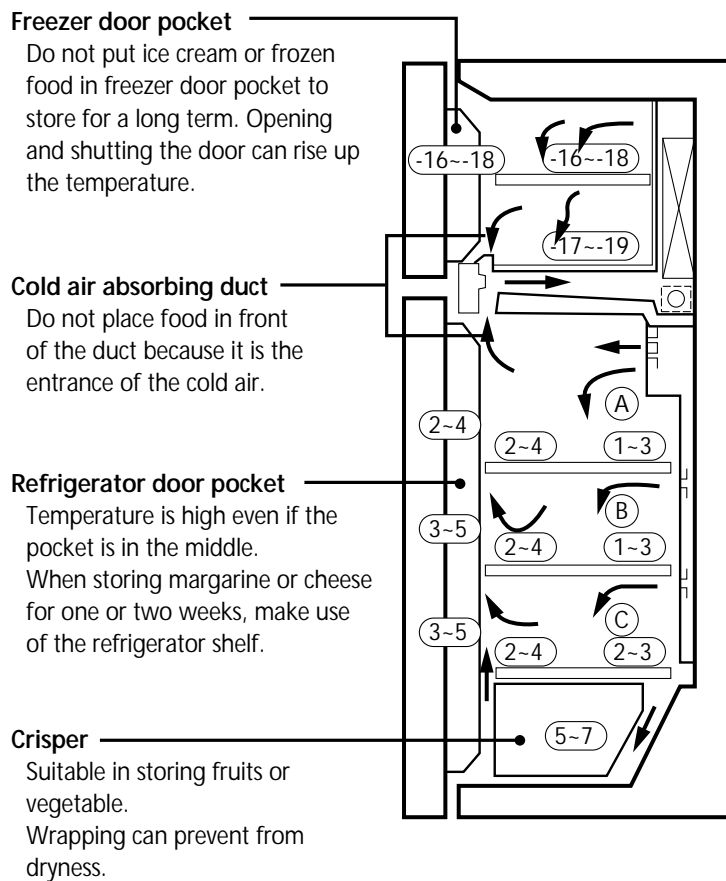
2. EXTERNAL VIEWS



4. NAME OF PARTS



5. AIR FLOW DIAGRAM



Freezer room

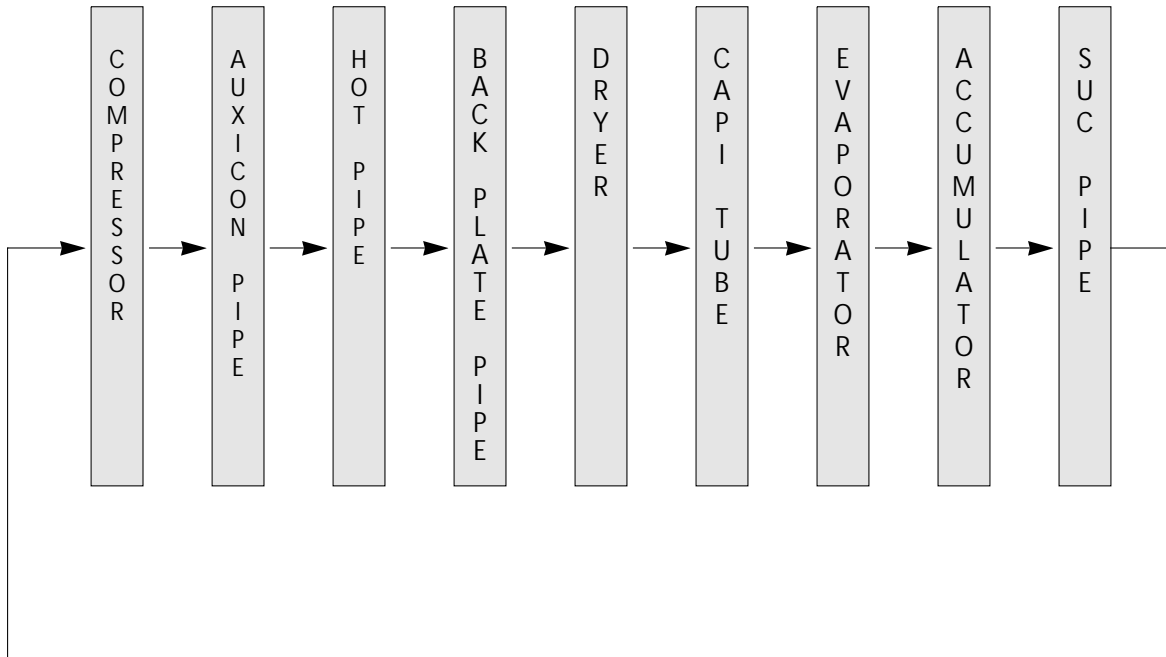
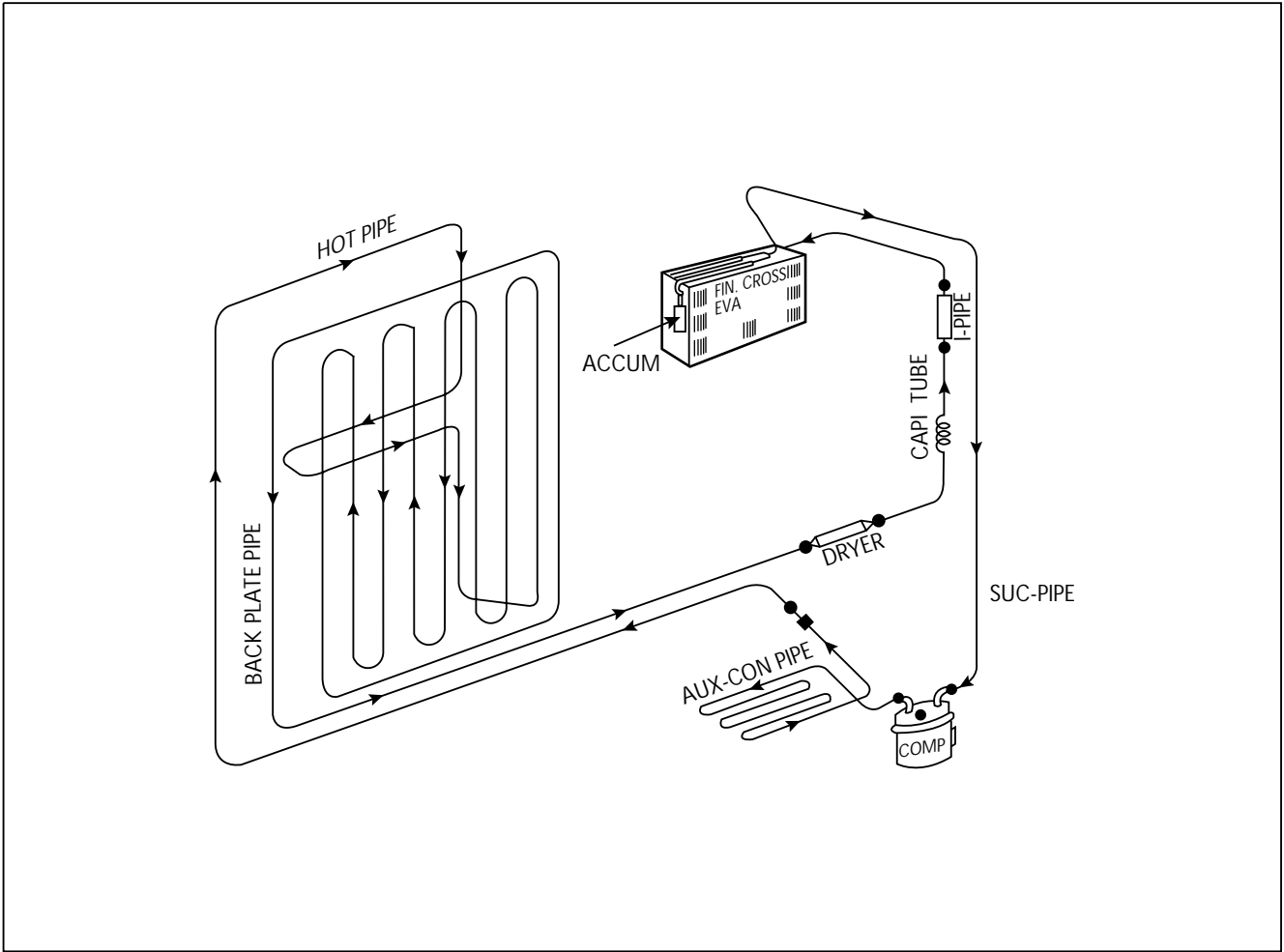
Do not put any bottle such as beer or beverage because it can be frozen and broken.

Refrigerating room

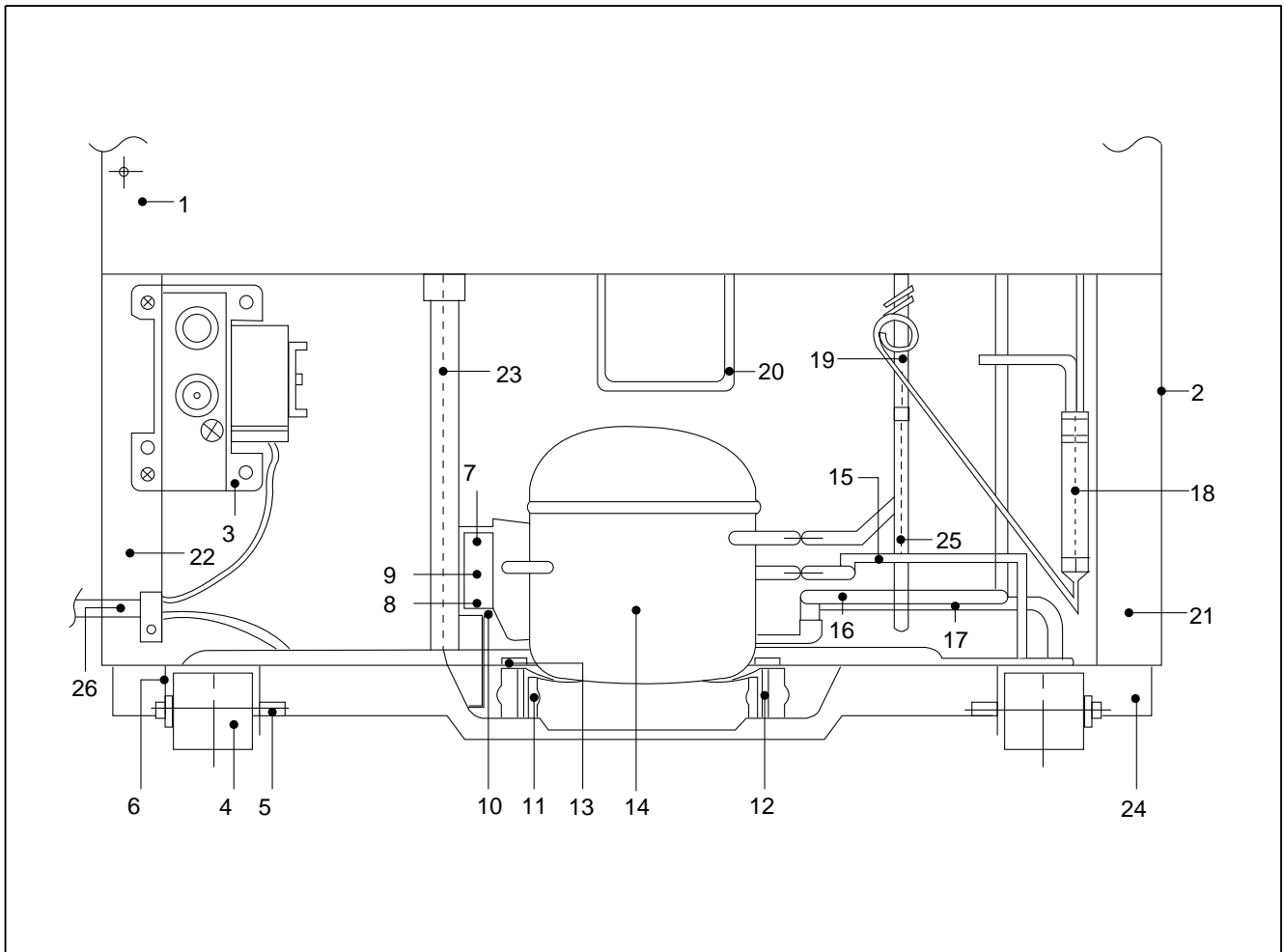
This model is multi-flow type which flows out cold air from each shelf space. The hot air after making the refrigerator cold, flows into cooling system through the front upper part.

Do not put food having much moisture at the middle part of each shelf space ("A", "B" and "C" part). It can be frozen owing to the low temperature.

6. REFRIGERANT CYCLE DIAGRAM



7. MACHINE ROOM VIEW AND PART LIST



NO	PART NAME	NO	PART NAME	NO	PART NAME
1	CABINET COVER	10	RELAY BAND	19	SUCTION PIPE
2	CABINET	11	ABSORBER	20	BACK PLATE PIPE
3	POWER BOX	12	BOLT	21	REINFORCE *L
4	CASTER	13	WASHER	22	REINFORCE *R
5	CASTER PIN	14	COMPRESSOR	23	DRAIN HOSE (B)
6	CASTER FIXTURE	15	PIPE (PA)	24	COMPRESSOR BASE
7	PTC-RELAY	16	PIPE (CH)	25	PIPE (AE)
8	OVERLOAD	17	PIPE (AC)	26	POWER CORD
9	RELAY COVER	18	DRYER		

8. MAIN COMPONENTS

1. COMPRESSOR

Refrigerant	R12							
Voltage	100V/50,60Hz	110V/60Hz	115, 120V/60Hz	220V/50Hz	220V/50Hz	220V/60Hz	230V/50Hz	240V/50Hz
Comp. model	X	CL23YE-3-C	X	KL25YE-5-C	SL25YE-5-C	PL23YE-4	SL25YE-5-C	←
Part code	X	3957123C30	X	3958123C60	3954125C50	3956123840	3954125C50	←
Strating type	X	CSIR	X	CSIR	RSIR	RSCR	RSIR	←

Refrigerant	R134a							
Voltage	100V/50,60Hz	110V/60Hz	115, 120V/60Hz	127V/60Hz	220V/50Hz	220V/60Hz	230V/50Hz	240V/50Hz
Comp. model	X	HBL23YE-3-C	X	X	HSL25YE-5-C	X	HSL25YE-5-C	←
Part code	X	3952123L30	X	X	3954125L50	X	3954125L50	←
Strating type	X	CSR	X	X	RSIR	X	RSIR	←

2. RELAY ASSEMBLY

Refrigerant	R12							
Voltage	100V/50,60Hz	110V/60Hz	115, 120V/60Hz	220V/50Hz	220V/50Hz	220V/60Hz	230V/50Hz	240V/50Hz
Relay model	X	427THBY-52	X	724RFBY-52	232THBY-52	197SHBY-52	232THBY-52	←
Part code	X	3018103020	X	3018103051	3018103040	3018103010	3018103040	←

Refrigerant	R134a							
Voltage	100V/50,60Hz	110V/60Hz	115, 120V/60Hz	127V/60Hz	220V/50Hz	230V/50Hz	230V/50Hz	240V/50Hz
Relay model	X	427THBY-52	X	X	276THBY-52	276THBY-52	276THBY-52	←
Part code	X	3018108090	X	X	3018105680	3018109800	3018105680	←

3. RUNNING CAPACITOR

Refrigerant	R12							
Voltage	100V/50,60Hz	110V/60Hz	115, 120V/60Hz	127V/60Hz	220V/50Hz	220V/60Hz	230V/50Hz	240V/50Hz
Spec.	X	X	X	X	X	350V/5 μ F	X	X
Part code	X	X	X	X	X	400EL15110	X	X

Refrigerant	R134a							
Voltage	100V/50,60Hz	110V/60Hz	115, 120V/60Hz	127V/60Hz	220V/50Hz	220V/60Hz	230V/50Hz	240V/50Hz
Spec.	X	300V/7 μ F	X	X	X	X	X	X
Part code	X	386100400	X	X	X	X	X	X

4. STARTING CAPACITOR

Refrigerant	R12							
Voltage	100V/50,60Hz	110V/60Hz	115, 120V/60Hz	220V/50Hz	220V/50Hz	220V/60Hz	230V/50Hz	240V/50Hz
Spec.	X	140V/100µF	X	350V/25µF	X	350V/50µF	X	X
Part code	X		X	400EL16110	X		X	X

Refrigerant	R134a							
Voltage	100V/50,60Hz	110V/60Hz	115, 120V/60Hz	127V/60Hz	220V/50Hz	230V/60Hz	230V/50Hz	240V/50Hz
Spec.	X	200V/100µF	X	X	X	290V/50µF	X	X
Part code	X	3016400100	X	X	X	4124G62020	X	X

5. F-FAN MOTOR

Refrigerant	R12, R134a							
Voltage	100V/50,60Hz	110V/60Hz	115, 120V/60Hz	127V/60Hz	220V/50Hz	220V/60Hz	230V/50Hz	240V/50Hz
Spec.	X	3210DWNFH-2	X	X	3210DWNFF-2	3210DWNFD-1	3210DWNFI-2	←
Part code	X	401VB42021	X	X	401VA42021	4017G24502	401UB42021	←

6. DEFROST HEATER

Refrigerant	R12, R134a							
Voltage	100V/50,60Hz	110V/60Hz	115, 120V/60Hz	127V/60Hz	220V/50Hz	220V/60Hz	230V/50Hz	240V/50Hz
Spec.	X	148W	X	X	148W	←	←	←
Part code	X	400EL22311	X	X	400EL22211	←	←	←

7. LAMP ASSEMBLY

Refrigerant	R12, R134a							
Voltage	100V/50,60Hz	110V/60Hz	115, 120V/60Hz	127V/60Hz	220V/50Hz	220V/60Hz	230V/50Hz	240V/50Hz
Spec.	X	120V/10W	X	X	13W	←	←	←
Part code	X	4019S15200	X	X	400EL20111	←	←	←

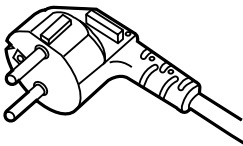
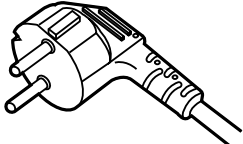
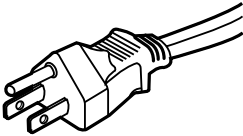
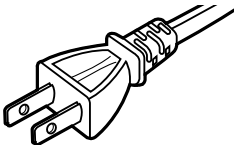
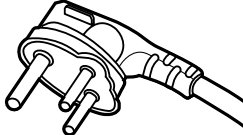
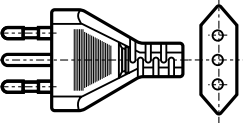
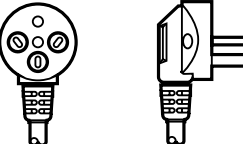
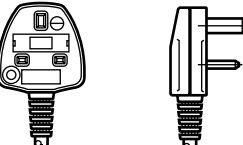
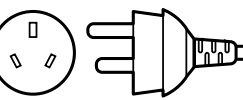
8. DEFROST TIMER

Refrigerant	R12, R134a							
Voltage	100V/50,60Hz	110V/60Hz	115, 120V/60Hz	127V/60Hz	220V/50Hz	220V/60Hz	230V/50Hz	240V/50Hz
Spec.	X	TMDEX09UA1	X	X	TMDEX09UM1 (TMDEX09UC1)	←	←	←
Part code	X	3018101200	X	X	3018100310	←	←	←

9. DRYER

Refrigerant	R12	R134a
Spec.	10 g	15 g
Part code	3016800103	3016801100

POWER CORD SPECIFICATION

NO	SHAPE OF POWER CODE	PART CODE	DESCRIPTION	REMARK
1		3011315000	CP-2PIN	FOR EUROPEAN COUNTRY
2		401RA17200	CP-2PIN	FOR OTHER COUNTRY
3		4006D17101	KP-30	FOR AMERICA
4		401PD17101	KP-211	FOR JAPAN & TAIWAN
5		3011300801	BP-3PIN	
6		3011303010	#267	FOR CHILE
7		3011315310		FOR ISRAEL
8		3011303050	BS-1363A	FOR U.K, MIDDLE ASIA SINGAPORE & MALAYSIA
9		3011301200	KP-551/550	FOR CHINA & AUSTRALIA

* Upper power cord's part code is only for lead wire, without any kinds of terminal or housing.

9. DOOR COLOR SPECIFICATION

1. ASSEMBLY URETHAN FREEZER DOOR

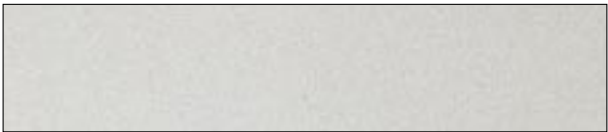

Refrigerant	R12				R134a			
Color type	Dull lamina sheet	High glossy lamina sheet	Normal PCM	High glossy bright PCM	Dull lamina sheet	High glossy lamina sheet	Normal PCM	High glossy bright PCM
Part code	X	PFDT1U130	X	X	X	PFDF1UH135	X	X

2. ASSEMBLY URETHAN REFRIGERATOR DOOR

Refrigerant	R12				R134a			
Color type	Dull lamina sheet	High glossy lamina sheet	Normal PCM	High glossy bright PCM	Dull lamina sheet	High glossy lamina sheet	Normal PCM	High glossy bright PCM
Part code	X	PFDT2UH130	X	X	X	PFDT2UH135	X	X

COLOR TABLE

1. PCM type

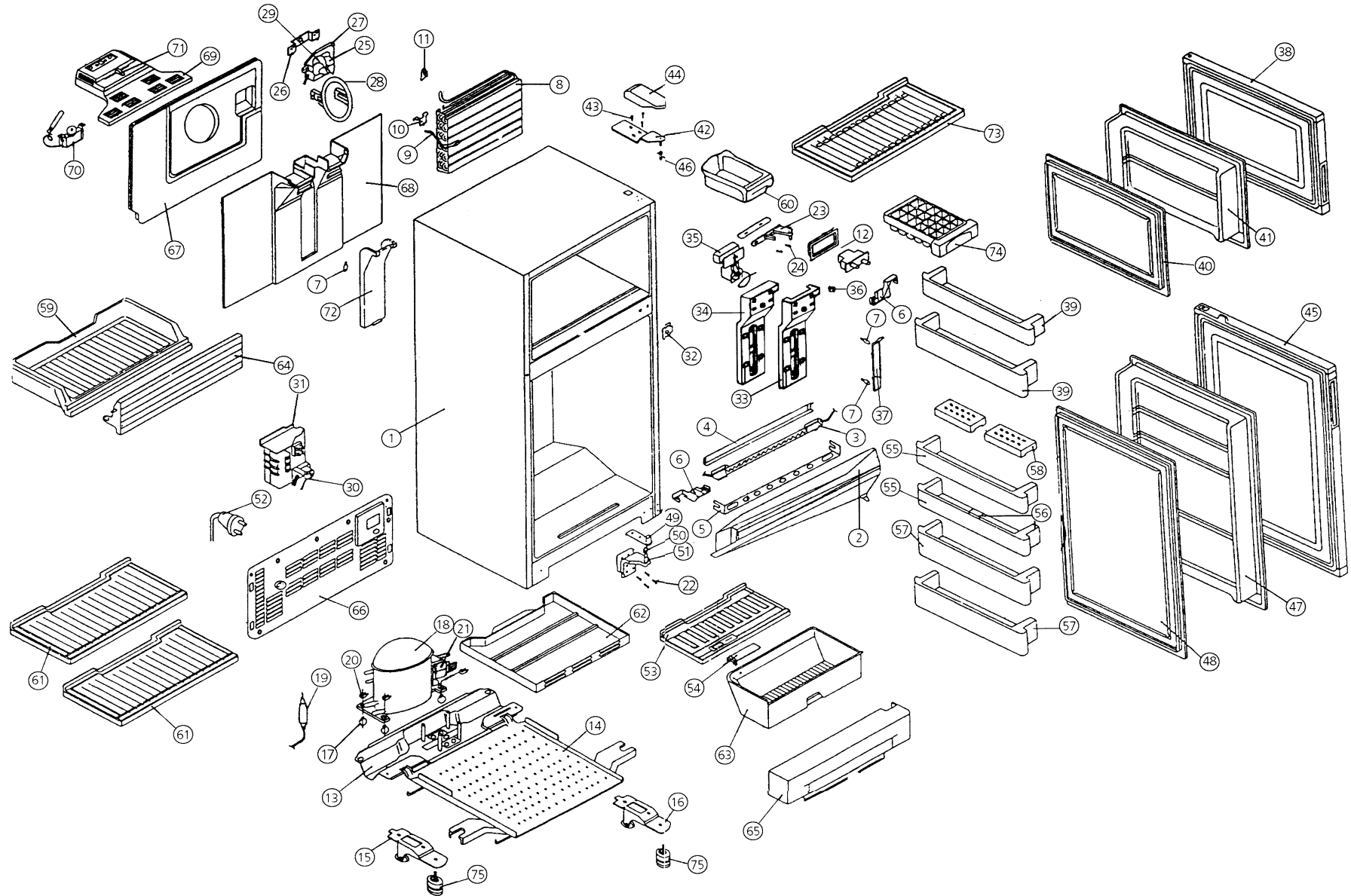
NO	COLOR CHIP	COLOR NAME
1		P/WITH (WH069)
2		'94 L/GRAY (GY158)
3		'95 L/GRAY (GY259)
4		'94 M/GRAY (GY331)
5		'95 M/GRAY (GY335)
6		'97 M/GRAY (GY267)
7		M. D/GRAY (GY750)
8		N/BLUE (BL718)
9		MINT GREEN (GN206)
10		'97 BEIGE (BE215)

2. Lamina sheet type

NO	COLOR CHIP	COLOR NAME
1		P/WITH (WH069)
2		'94 L/GRAY (GY158)
3		'95 L/GRAY (GY259)
4		'94 M/GRAY (GY331)
5		'95 M/GRAY (GY335)
6		'97 M/GRAY (GY267)
7		M. D/GRAY (GY750)
8		N/BLUE (BL718)
9		MINT GREEN (GN206)
10		S/GOLD
11		G/GREEN

10. EXPLODED VIEW AND PARTS LIST

1. Exploded views



2. Parts list

NO	PART CODE	PART NAME	DESCRIPTION	QUANTITY	REMARK
1		ASSY URT CAB		1	
2	3012500100	GUIDE DRN	AL200P T0.3	1	
3		HIR GLASS TUBE AS		1	REFER TO # 9
4	4017Z73570	COVER DEFR HTR*T	AL	1	
5	4017Z73580	COVER DEFR HTR*U	AL	1	
6	4010G19010	FIXTURE DEFR HTR		2	
7		LAMP AS		3	REFER TO # 9
8	PFFRFRH130	ASSY COOLER	COOLER LINE	1	
9	400EL21213	FUSE TEMP AS	77iC off	1	
10	4017Z90590	FIXTURE FUSE TEMP	PP	1	
11	3018111100	SWITCH BIMTL AS	9iC off	1	
12	3018100010	SWITCH DR	DSD-5	1	
13	3010300800	BASE COMP	SBHG1 T1.4	1	
14	3014500105	PLATE AXCON AS	PIPE CON L5876	1	
15	3010602104	BRACKET ADJ-FT *L AS		1	
16	3010602604	BRACKET ADJ-FT *R AS		1	
17	3010100201	ABSORBER COMP	NR H=40	4	
18		COMPRESSOR		1	REFER TO # 8
19		DRYER AS		1	REFER TO # 9
20	4019H09030	SPECIAL WASHER	SWRH	4	
21		SWITCH P RELAY AS		1	REFER TO # 8
22	3016100100	SPECIAL SCREW	M6X20	4	
23	3012900630	HINGE *M AS	ZN DC-2	1	
24	3016000220	SPECIAL SCREW	M6X16 SWCH22A	2	
25		MOTOR SHADED AS		1	REFER TO # 9
26	4017Z86412	FAN MOTOR COVR (A)	HIPS	1	
27	4017Z32244	COVER MOTR B	HIPS	1	
28	4017Z32233	COVER MOTR C	HIPS	1	
29	4017Z42312	FAN	ABS	1	
30		TIMER		1	REFER TO # 9
31	401NA29101	HOLDER DEFR TIMER	PP	1	
32	3012000303	FIXTURE SHELF	HIPS	2	
33	3011416000	COVER M/F DUCT AS		1	
34	3013300500	INSULATOR DAMP B	F-PS	1	
35	4010G26401	R DAMPER AS	HF 380	1	
36	4017G31152	KNOB DAMP	ABS	1	
37	3015500703	WINDOW R	GPPS	1	
38		ASSY URT *T DOOR		1	REFER TO # 11
39	3019005900	POCKET F *T	GP	2	
40	3012300002	GASKET F DR	PVC-S	1	

NO	PART CODE	PART NAME	DESCRIPTION	QUANTITY	REMARK
41	3017400102	LINER F DR	ABS 1.4 x 750 x 1100	1	
42	3012900201	HINGE *T AS		1	
43	3016001301	SPECIAL BOLT	M5XL14	3	
44	3010900602	CAP *T HI	PP	1	
45		ASSY URT *U DOR		1	REFER TO # 11
46	4010Y36211	BUSHING R HNDL	PP	2	
47	3017400203	LINER R DR	ABS 1.4 x 750 x 1120	1	
48	3012300103	GASKET R DR	PVC-S	1	
49	4010G38022	DR R BRUSH		1	
50	7400108511	WASHER PLAIN	PW-1.5T 8.5/20 MFZN	1	
51	3012900401	HINGE *U AS	MF-ZN5-C	1	
52		CORD POWER AS		1	REFER TO #10
53	3011421100	COVER V/CASE AS		1	
54	3013700003	LEVER HUMID CONTL	ABS	1	
55	3019005700	POCKET MULT		2	
56	4010E59900	DEODORANT		1	
57	3019005800	POCKET BOTL		2	
58	3011100202	CASE EGG	GP	2	
59	3011100010	CASE CHILD	GP	1	
60	4017Z99112	CASE ICE	HC-2	1	
61	3017807600	SHELF R	GP	2	
62	4017Z91110	CASE VAPORI	PP	1	
63	3010100230	CASE VEGETB	GP	1	
64	3011703101	DOOR CHILD AS		1	
65	3011400402	COVER CAB BRKT A	HIPS	1	
66	3012400004	GRILLE	PP(B-391G)	1	
67	3013301701	INSULATOR LUVR AS		1	
68	3018900001	LOUVER	HIPS	1	
69	3010500003	BOX CONTL	ABS (HI-173)	1	
70	3018100500	SWITCH CONTL	B-359	1	
71	3013400001	KNOB C/S	ABS	1	
72	3015500103	WINDOW F	GP	1	
73	3017800104	SHELF F	GP	1	
74	3011100301	CASE ICING	PE-HB	1	
75	4017Z40192	FOOT ADJ AS		2	