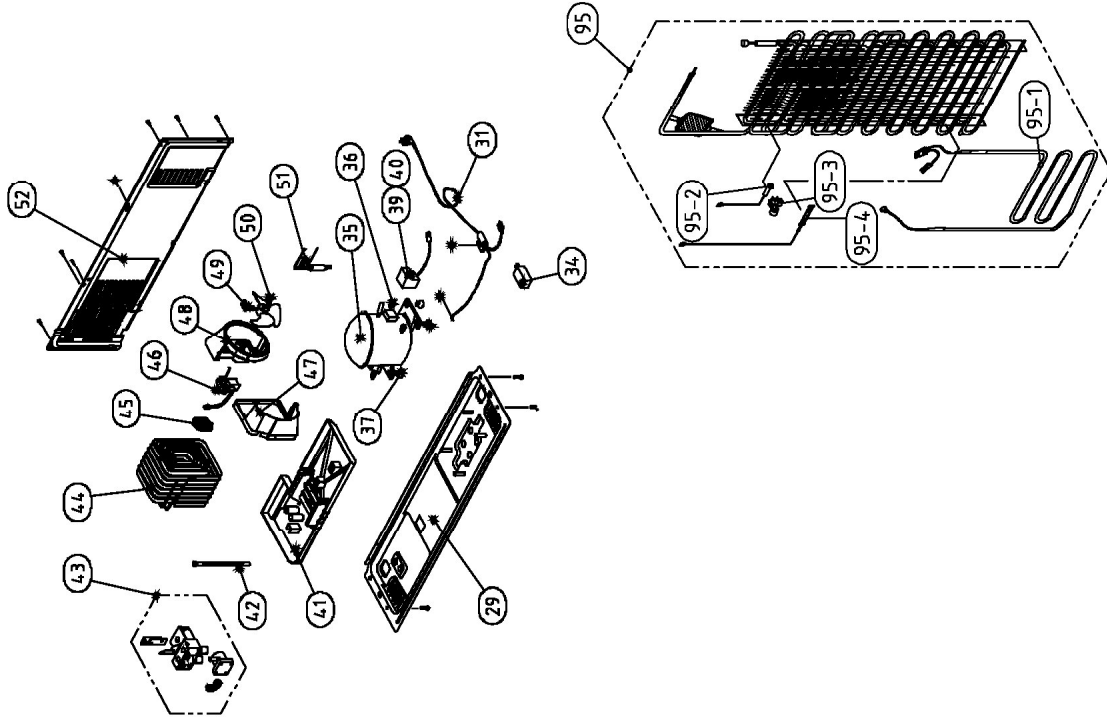


NO	PART-CODE	PART NAME	SPEC.	Q'ty				
				201A	20DA	20EA	20FA	20GA
29	3010340400	BASE COMP AS	FRU-5711	1	1	1	1	1
31		CORD POWER AS		1	1	1	1	1
34		CAPACITOR RUN	Model dependent	1	1	1	1	1
35		COMP	Model dependent	1	1	1	1	1
36	3016002500	SPECIAL WASHER	SK-5, T0.8	4	4	4	4	4
37	3010101600	RUBBER ABSORBER COMP	NBR (R-134a)	4	4	4	4	4
	3010101480	ABSORBER COMP AS	FRU-541D (R-600a)	1	1	1	1	1
39		SWITCH P RELAY AS	Model dependent	1	1	1	1	1
40		COVER RELAY	Model dependent	1	1	1	1	1
41	301181300	CASE VAPORIAS	PP	1	1	1	1	1
42	3013201710	HOSE DRN B	PE FRB-5350NT	1	1	1	1	1
43	3015402800	VALVE WATER AS	110~127V 60Hz	X	1	1	1	1
	3015402300		220~240V 50,60Hz		1	1	1	1
44	3014461510	PIPE WICON AS	TSW OD4.76X70.7	1	1	1	1	1
45	3012021700	FIXTURE MOTR	PP	1	1	1	1	1
46	3015916100	MOTOR C FAN AS	DC-2213DWCA-3	1	1	1	1	1
47	3018500300	M/BELL B	PP	1	1	1	1	1
48	3018500200	M/BELL A	PP	1	1	1	1	1
49	3011834700	FAN	ABS OD3.17XD150	1	1	1	1	1
50	3011200500	CLAMP FAN	SUS 304	1	1	1	1	1
51	3016808100	DRYER AS	C1220T	1	1	1	1	1
52	3011497000	COVER MACH ROOM AS	SBHG T0.35	1	1	1	1	1
95	3017053500	EVA AS	FRU-5711	1	1	1	1	1
95-1	3012818300	HEATER SHEATH AS	AC220V/ 192W	1	1	1	1	1
	3012818400		AC115V/ 192W					
95-2	3014806900	SENSOR D AS	PBN-43	1	1	1	1	1
95-3	3012023600	FIXTURE D SENS	PP	1	1	1	1	1
95-4	30172020 10	FUSE TEMP AS	AC250V 10A 77C	1	1	1	1	1

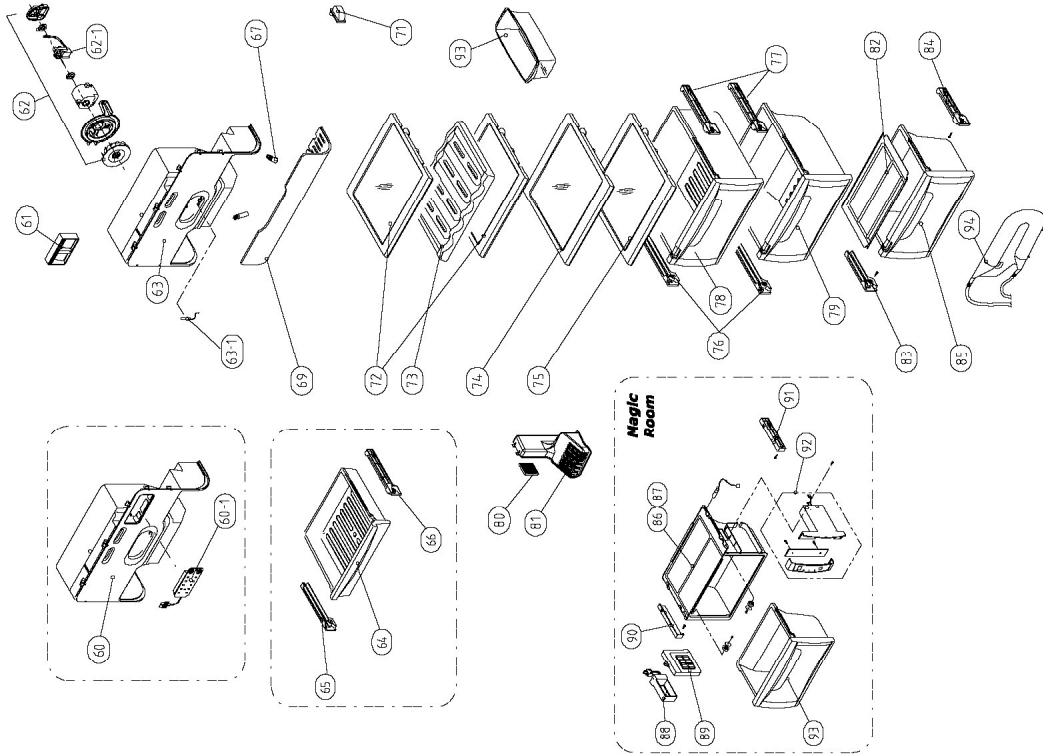
- Some parts can be changed for improving their performance without notice.
 - Above parts number doesn't describe your own colour & printing. Please remind!



Date		A	amendment Note
07. 4. 5			No. 37 Q'ty change, 95-4 code change.
			Screw code delete, No. 95-5 'Fixture fuse temp' code delete.

Refrigerator Room

NO	PART-CODE	PART NAME	SPEC.	Q'ty				
				201A	20DA	20EA	20FA	20GA
60	3011492810	COVER DAMP AS	FRU-5711	1				
60-1	3014235200	PANEL CONTL *I AS		1		X		
61	3012214100	FRAME CHECK VALVE AS	FRU-5711	1	1	1	1	1
62	3012024200	FXTURE MOTR AS		1	1	1	1	1
62-1	3015916000	MOTOR R FAN	D4612AAA20	1	1	1	1	1
63	3011495100	COVER DAMP AS	FRU-541D	-	1	1	1	1
63-1	3014807100	SENSOR R AS	PBN-43B	1	1	1	1	1
64	3011185710	CASE CHILD	GPPS	1	1	1	1	1
	3011185740	GUIDE CASE A *L AS	FRU-5711(MANO)			X		
65	3012514511	GUIDE CASE A *R AS	HIPS	1				
66	3012514611	GUIDE CASE A *R AS	HIPS	1				
67	3013602500	LAMP F/R	AC 240V 25W(S) AC 125V 25W	2	2	2	2	2
69	3015510800	WINDOW R LAMP	MIPS	1	1	1	1	1
71	3018124000	SWITCH DR	SP201R-7DR (R-134a)	1	1	1	1	1
72	3017842820	SHELF INMOLDING R A AS	SPF101B-2D(R-600a)	2	2	2	2	2
73	3017842500	SHELF WINE	FRAME+PRINTED GLASS	X				
74	3017843320	SHELF INMOLDING R C AS	GPPS	1				
75	3017842920	SHELF INMOLDING R B AS	FRAME+PRINTED GLASS	1	1	1	1	1
76	3012514511	GUIDE CASE A *L AS	FRAME+PRINTED GLASS	1	2	2	2	2
77	3012514611	GUIDE CASE A *R AS	HIPS	1	2	2	2	2
78	3011109200	CASE VEGETB A AS	HIPS	X	1	1	1	1
	3011109230	CASE VEGETB B AS	CASE+FRAME					
79	3011114600	DEO ANTI AS	CASE(MANO)+FRAME	1	1	1	1	1
80	3018701800	COVER RETURN DUCT	CASE(MANO)+FRAME	1	1	1	1	1
81	3011445900	COVER VEGETB CASE B	W40X75XL40	1	1	1	1	1
82	3012529711	GUIDE CASE C *L AS	PP	1	1	1	1	1
84	3012529811	GUIDE CASE C *R AS	GPPS	1	1	1	1	1
85	3011114700	CASE VEGETB C AS	HIPS	1	1	X	1	X
	3011114730	COVER CHANGE RM	CASE+FRAME	1	1		1	
86	3010548200	BOX CHANGE RM	CASE(MANO)+FRAME					
88	3016767100	DAMPER AS	GPPS					
89	3011450901	COVER DUCT CH RM AS	HIPS					
90	3012529500	GUIDE CHANGE RM *L	DU24-012					
91	3012529600	GUIDE CHANGE RM *R	PP+SEAL					
92	3010551000	BOX CONTL CH RM AS	ABS					
	3011115000	CASE CHANGE RM AS	ABS					
93	3011115020	CASE CHANGE RM AS	CASE+FRAME+GASKET					
93	3011171310	CASE EGG AS	CASE(MANO)+FRAME+GASKET	1	1	1	1	1
94	3018201000	TANK WATER AS	CASE+VINYL	X	1	1	1	1
			FRU-541D					

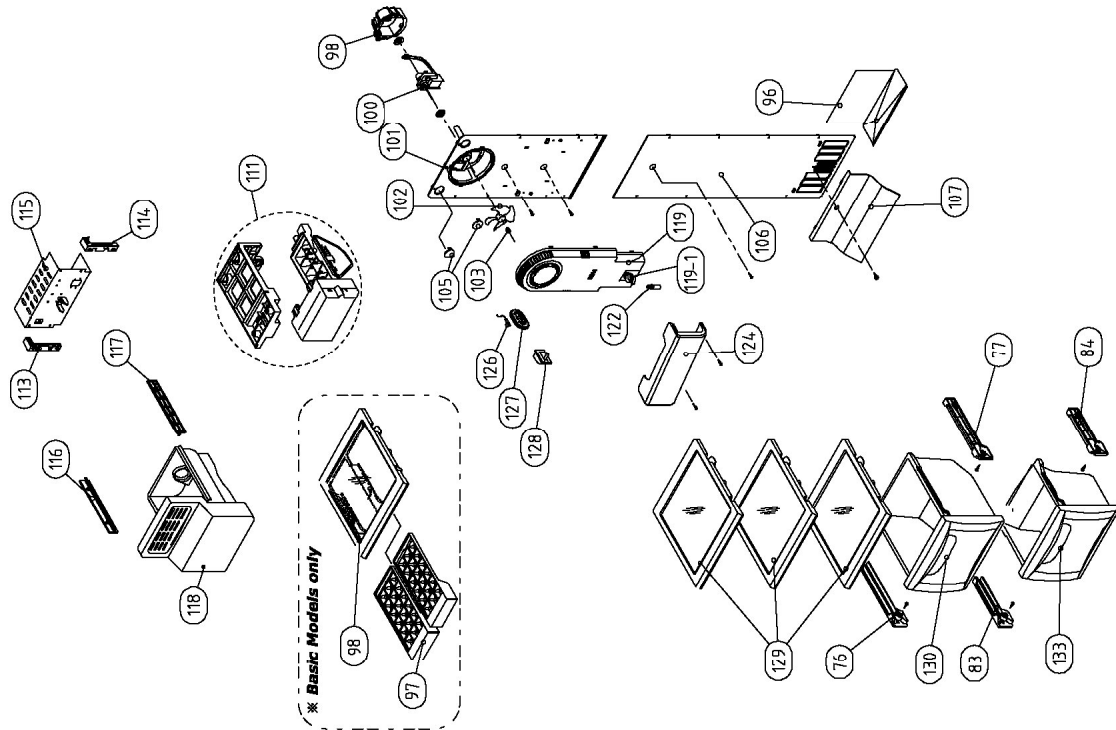


- Some parts can be chaged for improving their performance without notice.
 - Above parts number doesn't describe your own colour & printing. Please remind!

Freezer Room

NO	PART-CODE	PART NAME	SPEC.	Q'ty				
				20JA	20DA	20EA	20FA	20GA
76	30125145 11	GUIDE CASE A *L AS	HIPS	1	1	1	1	1
77	30125146 11	GUIDIE CASE A *R AS	HIPS	1	1	1	1	1
83	30125297 11	GUIDE CASE C *L AS	HIPS	1	1	1	1	1
84	30125298 11	GUIDE CASE C *R AS	HIPS	1	1	1	1	1
96	3012529000	GUIDE DRN	GA	1	1	1	1	1
97	3011186300	CASE ICE	PP	2				
98	3017842710	SHELF F ICE AS	FRAME+PRINTED GLASS+FIXTURE	1				X
100	3015915900	MOTOR F FAN	D4612AAA21	1	1	1	1	1
101	3018921300	LOUVER F A	ABS	1	1	1	1	1
102	3011834500	FAN	ABS DD3.17XD130	1	1	1	1	1
103	3011200510	CLAMP FAN	SUS 304	1	1	1	1	1
105	3010968600	CAP F LOUVER B	HIPS	2	2	2	2	2
106	3018921501	LOUVER F B AS	HIPS	1	1	1	1	1
107	3011443200	COVER F RETURN	HIPS	1	1	1	1	1
111	3012205810	FRAME ICE MAKER AS	FRU-541D(R-134a)	1	1	1	1	1
113	3012205820	GUIDE G/MOTR BRKT *L	FRU-541D(R-600a)	1	1	1	1	1
114	3012517900	GUIDE G/MOTR BRKT *R	ABS	1	1	1	1	1
115	3010658220	BRACKET GEARED MOTR AS	ABS	1	1	1	1	1
116	3010658150	GUIDE ICE CRUSHER *L	(MOLD/DY) 110~127V/60Hz	X				
117	3012517710	GUIDE ICE CRUSHER *R	(MOLD/DY) 220V/60Hz					
118	3011115202	CASE I/CRUSHER AS	(MOLD/DY) 220~240V/50Hz					
119	3001401750	COVER F FAN AS	FRU-571I	1				X
119-1	3017906610	SOCKET F LAMP AS	FRU-541/547/549/548	X	1	1	1	1
122	3013602500	LAMP F	FR-S570FRB	1	1	1	1	1
124	3015510700	WINDOW F LAMP	AC 240V 25W(S)	1	1	1	1	1
126	3014807000	SENSOR F AS	AC 125V 25W	1	1	1	1	1
127	3014426000	COVER F SENS	MIPS	1	1	1	1	1
128	3018124010	SWITCH DR	PT-38	1	1	1	1	1
129	3017842600	SHELF F AS	ABS	1	1	1	1	1
130	3011114800	CASE F A AS	SP201R-7DR (R-134a)	1	1	1	1	1
133	3011114900	CASE F B AS	SPF101B-ID (R-600a)	3	3	3	3	3
			PRINTED GLASS	1	1	1	1	1
			CASE+FRAME	1	1	1	1	1
			CASE(MANO)+FRAME	1	1	1	1	1
			CASE(MANO)+FRAME	1	1	1	1	1

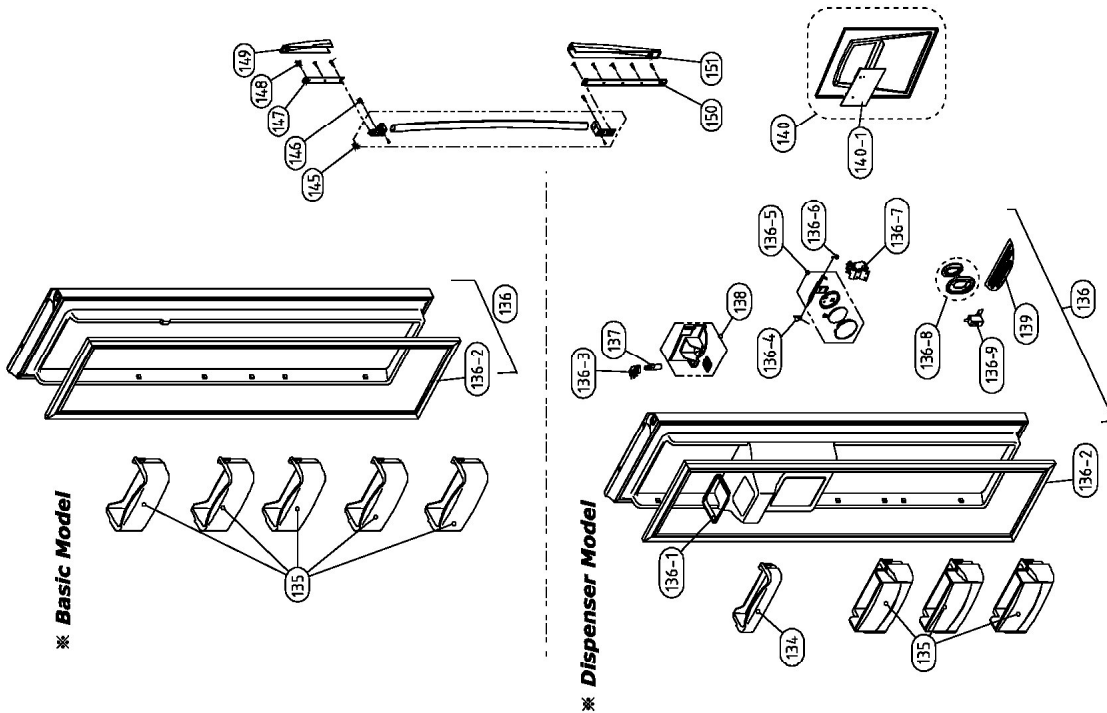
Date	Amendment Note
07. 4. 5.	No.76,77,83,84,119(ECM) code change.



NO	PART-CODE	PART NAME	SPEC.	Q'ty				
				201A	20DA	20EA	20FA	20GA
134	3019026700	POCKET F *T	HIPS	X	1	1	1	1
135	3019026600	POCKET F	HIPS	5	3	3	3	3
136	3000060410	ASSY F DR	FRU-541D	1	X	X	X	X
	3000060400		FRU-571H	X	1	1	1	1
136-1	3010964601	CAP ICE PATH FRAME	PP(FRS-551F)	X	1	1	1	1
136-2	3012318810	GASKET F DR AS	PVC+MAGNET	1	1	1	1	1
136-3	3017903702	SOCKET LAMP AS	220V 15W	X	1	1	1	1
136-4	3015102200	SPRING ICE D LEVR	SUS	X	1	1	1	1
136-5	3011495300	COVER I/FLAP AS	FRU-541D	X	1	1	1	1
136-6	3012019700	FIXTURE I/SHUT LUVR	FR-S650CD	X	1	1	1	1
	3015402100		220V 60HZ					
136-7	3015403120	VALVE SOL DISP	110~127V/60Z	X	1	1	1	1
	3015403000		220~240V/50HZ					
136-8	3016304900	BUTTON DISPNS AS	FRU-541D	X	1	1	1	1
136-9	3018125800	SWITCH MICRO	VP333A-2D	X	1	1	1	1
137	3013600020	LAMP AS	240V/15W	X	1	1	1	1
	3013600050		110V/15W					
138	3010544000	BOX DISPNS I/SHUT AS	FRU-541D	X	1	1	1	1
139	3012406900	GRILLE DISPNS	ABS	X	1	1	1	1
140	3011494700	COVER DISPNS BOX AS	FRU-541D	X	1	1	1	1
140-1	30143D5160	PCB FRONT AS	FRU-541F	X	1	1	1	1
145	3012641500	HANDLE AS	FRU-571H	1	1	1	1	1
146	3016002700	SPECIAL SCREW	WASR+TRSSX16MFZN	2	2	2	2	2
147	3010339500	BASE HANDLE *T	HIPS	1	1	1	1	1
148	7112401211	SCREW TAPPING	T1 TRS 4*12 MFZN	8	8	8	8	8
149	3011446400	COVER HNDLDECO *T	ABS+SPRAY	1	1	1	1	1
150	3010339600	BASE HANDLE *U	HIPS	1	1	1	1	1
151	3011446500	COVER HNDLDECO *U	ABS+SPRAY	1	1	1	1	1

- Some parts can be charged for improving their performance without notice.
 - Above parts number doesn't describe your own colour & printing. Please remind!

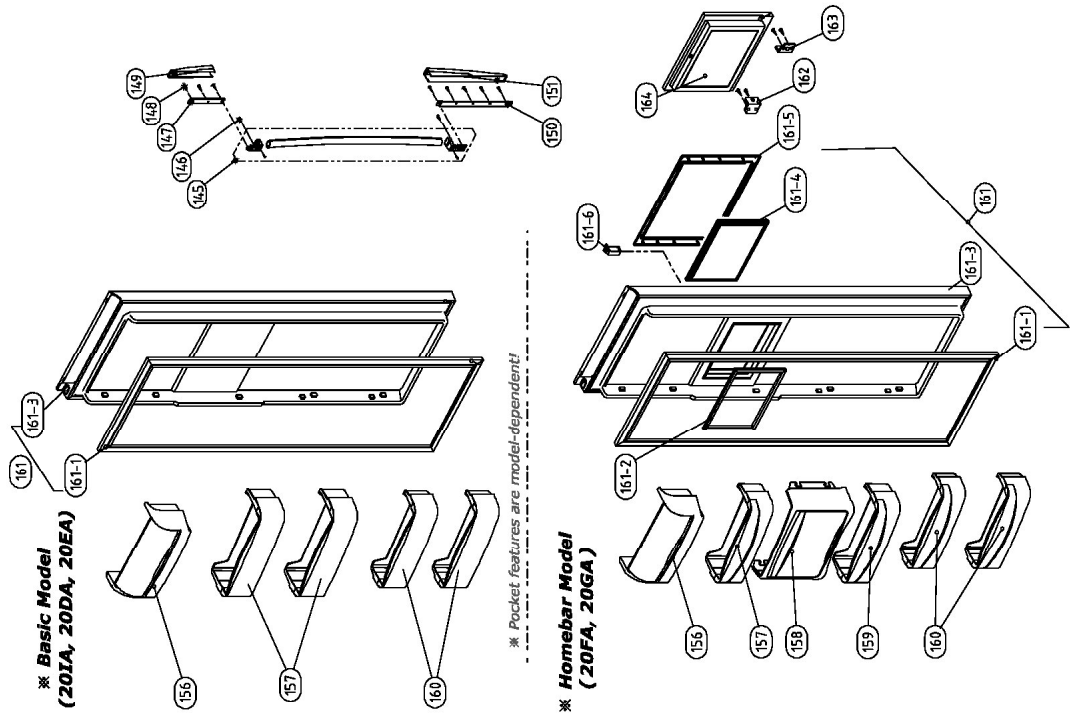
Date	A	Amendment Note
07. 4. 6.		No.136-7 code change, No. 136 Renumbering.



Refrigerator Door

NO	PART-CODE	PART NAME	SPEC.	Q'ty					
				201A	20DA	20EA	20FA	20GA	
145	3012641500	HANDLE AS	FRU-571I	1	1	1	1	1	
146	3016002700	SPECIAL SCREW	WASR+TRSSX16WFZN	2	2	2	2	2	
147	3010339500	BASE HANDLE *T	HIPS	1	1	1	1	1	
148	7112401211	SCREW TAPPING	T1 TRS 4*12 MFZN	8	8	8	8	8	
149	3011446400	COVER HNDLDECO *T	ABS+SPRAY	1	1	1	1	1	
150	3010339600	BASE HANDLE *U	HIPS	1	1	1	1	1	
151	3011446500	COVER HNDLDECO *U	ABS+SPRAY	1	1	1	1	1	
156	3019027500	POCKET DAIRY AS	FRU-571I	1	1	1	1	1	
157	3019027200	POCKET R *M AS	FRU-541F	X	2	2	1	1	
	3019026800	POCKET R	FRU-571I	2		X			
158	3011187000	CASE H/BAR AS	FRU-541F		X		1	1	
159	3019027700	POCKET R H/BAR AS	FRU-541F				1	1	
160	3019027300	POCKET R *S AS	FRU-541D	X	2	2	2	2	
	3019026900	POCKET R *S	FRU-571I	2		X			
161	3000060510	ASSY R DR	FRU-541F		X		1	1	
	3000060500	ASSY R DR	FRU-571I	1	1	1			
161-1	3012318900	GASKET R DR AS	PVC	1	1	1	1	1	
161-2	3012319300	GASKET H/BAR B AS	PVC	1	1	1	1	1	
161-3	3000058010	ASSY R DR URT	FRU-541F		X		1	1	
	3000058010	ASSY R DR URT	FRU-571I	1	1	1		X	
161-4	3012319400	GASKET H/BAR A AS	PVC				1	1	
161-5	3011497200	COVER FRAME H/BAR	ABS				1	1	
161-6	3018125600	SWITCH H/BAR DR AS	SPI01B-2DI(T)				1	1	
162	3015204500	STOPPER H/BAR DR *R	PO T4.0		X		1	1	
163	3015204400	STOPPER H/BAR DR *L	PO T4.0				1	1	
164	3011765000	DOOR H/BAR URT AS	FRU-541F				1	1	

- Some parts can be charged for improving their performance without notice.
 - Above parts number doesn't describe your own colour & printing. Please remind!



Date	Amendment Note
07. 4. 6.	No. 161 Renumbering.