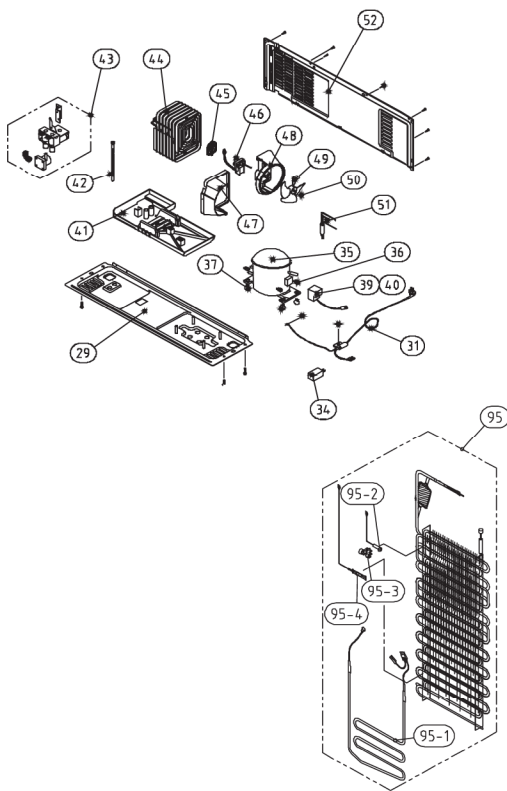


NO	PART NAME	SPEC.	Q'ty					
			20IA	20DA	20EA	20FA	20GA	
1	ASSY CAB URT		1	1	1	1	1	
2	HINGE *T *R AS	PO T3.0+PAINT	1	1	1	1	1	
3	HINGE *T *L AS	PO T3.0+PAINT	1	1	1	1	1	
6	COVER *T HI *R	PP	1	1	1	1	1	
7	COVER *T HI *L	PP	1	1	1	1	1	
9	CAP CAB COVER	PP	2	2	2	2	2	
11	PCB MAIN AS	FRU-571I (R-134a)	1	x				
		FRU-571I (R-600a)						
		FRU-541F (R-134a)	x	1	1	1	1	
		FRU-541F (R-600a)						
12	COVER MAIN PCB BOX	PP(V-235)	1	1	1	1	1	
14	HOSE ICE MAKER TUBE AS	FRU-541D		1	1	1	1	
15	GUIDE CAB W/TUBE A AS	FRU-541D		1	1	1	1	
16	COVER GUIDE CAB W/T A	HIPS	x	1	1	1	1	
17	CLAMP WATER TUBE A	PA-66, 5N		2	2	2	2	
18	S/PAER FILTER WATER AS	FR-S660CW		1	1	1	1	
19	HINGE *U *R AS	P/O T5.0 + PAINT	1	1	1	1	1	
20	HINGE *U *L AS	P/O T5.0 + PAINT	1	1	1	1	1	
22	BRACKET ADJ FOOT	SPCC T3.0	2	2	2	2	2	
23	FOOT ADJ AS	PP	2	2	2	2	2	
25	HOLDER TUBE A	ACETAL	1	1	1	1	1	
27	COVER CAB BRKT	PP	1	1	1	1	1	

- Some parts can be changed for improving their performance without notice.
- Above parts number doesn't describe your own colour & printing. Please remind!

Date	A mendment Note
07. 4. 5	Screw part code delete.
	No.11 PCB Main As (R-600a) code add.
	No.12, 15, 19, 20, 22 code change.

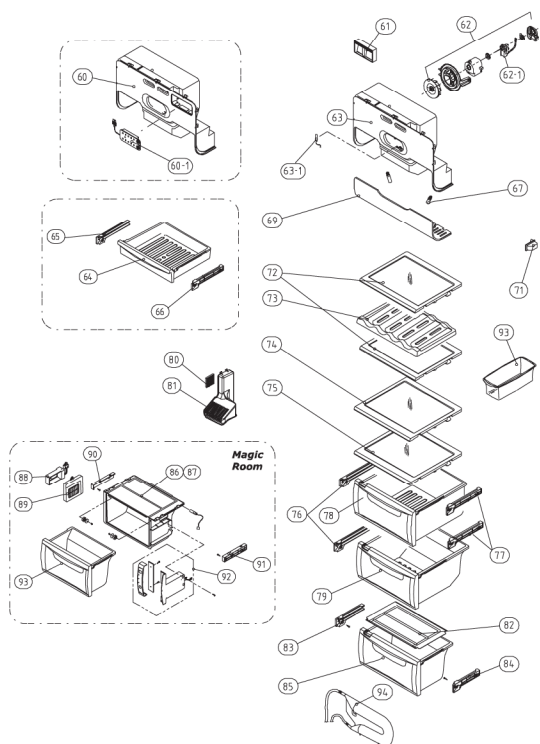


NO	PART NAME	SPEC.	Q'ty				
			20IA	20DA	20EA	20FA	20GA
29	BASE COMP AS	FRU-5711	1	1	1	1	1
31	CORD POWER AS		1	1	1	1	1
34	CAPACITOR RUN	Model dependent	1	1	1	1	1
35	COMP	Model dependent	1	1	1	1	1
36	SPECIAL WASHER	SK-5, T0.8	4	4	4	4	4
37	RUBBER ABSORBER COMP	NBR (R-134a)	4	4	4	4	4
	ABSORBER COMP AS	FRU-541D (R-600a)					
39	SWITCH P RELAY AS	Model dependent	1	1	1	1	1
40	COVER RELAY	Model dependent	1	1	1	1	1
41	CASE VAPORI AS	PP	1	1	1	1	1
42	HOSE DRN B	PE FRB-5350NT	1	1	1	1	1
43	VALVE WATER AS	110~127V 60Hz 220~240V 50,60Hz	x	1	1	1	1
44	PIPE WICON AS	TSW OD4.76XT0.7	1	1	1	1	1
45	FIXTURE MOTR	PP	1	1	1	1	1
46	MOTOR C FAN AS	DC-2213DWCA-3	1	1	1	1	1
47	M/BELL B	PP	1	1	1	1	1
48	M/BELL A	PP	1	1	1	1	1
49	FAN	ABS OD3.17XD150	1	1	1	1	1
50	CLAMP FAN	SUS 304	1	1	1	1	1
51	DRYER AS	C1220T	1	1	1	1	1
52	COVER MACH ROOM AS	SBHG T0.35	1	1	1	1	1
95	EVA AS	FRU-5711	1	1	1	1	1
95-1	HEATER SHEATH AS	AC220V/ 192W AC115V/ 192W	1	1	1	1	1
95-2	SENSOR D AS	PBN-43	1	1	1	1	1
95-3	FIXTURE D SENS	PP	1	1	1	1	1
95-4	FUSE TEMP AS	AC250V 10A 77C	1	1	1	1	1

- Some parts can be changed for improving their performance without notice.
- Above parts number doesn't describe your own colour & printing. Please remind!

Date	A mendment Note
07. 4. 5	No. 37 Q'ty change, 95-4 code change. Screw code delete, No. 95-5 'Fixture fuse temp' code delete.

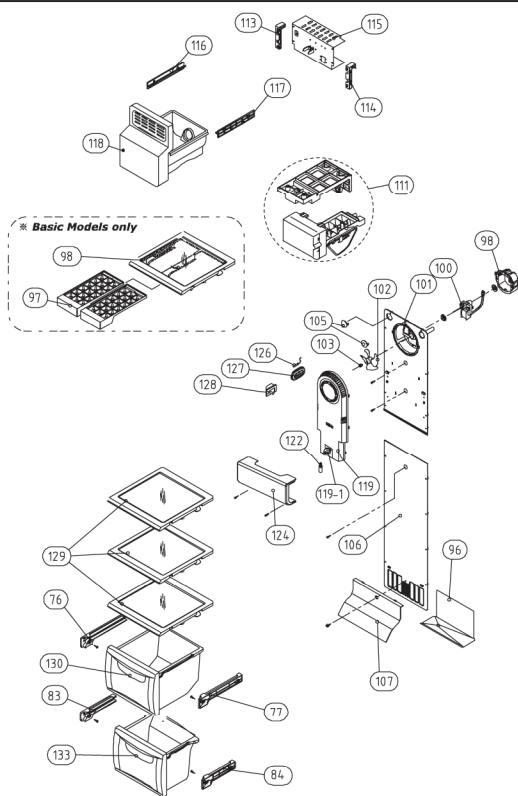
Refrigerator Room



NO	PART NAME	SPEC.	Q'ty					
			20IA	20DA	20EA	20FA	20GA	
60	COVER DAMP AS	FRU-571I	1					
60-1	PANEL CONTL *I AS		1			X		
61	FRAME CHECK VALVE AS	FRU-571I	1	1	1	1	1	1
62	FIXTURE MOTR AS		1	1	1	1	1	1
62-1	MOTOR R FAN	D4612AAA20	1	1	1	1	1	1
63	COVER DAMP AS	FRU-541D	-	1	1	1	1	1
63-1	SENSOR R AS	PBN-43B	1	1	1	1	1	1
64	CASE CHILD	GPPS	1					
		FRU-571I(NANO)				X		
65	GUIDE CASE A *L AS	HIPS	1					
66	GUIDIE CASE A *R AS	HIPS	1					
67	LAMP F/R	AC 240V 25W(S)	2	2	2	2	2	2
69	WINDOW R LAMP	MIPS	1	1	1	1	1	1
71	SWITCH DR	SP201R-7DR (R-134a)	1	1	1	1	1	1
		SPF101B-2D(R-600a)						
72	SHELF INMOLDING R A AS	FRAME+PRINTED GLASS	2	2	2	2	2	2
73	SHELF WINE	GPPS	x					
								Option
74	SHELF INMOLDING R C AS	FRAME+PRINTED GLASS	1					X
75	SHELF INMOLDING R B AS	FRAME+PRINTED GLASS	1	1	1	1	1	1
76	GUIDE CASE A *L AS	HIPS	1	2	2	2	2	2
77	GUIDIE CASE A *R AS	HIPS	1	2	2	2	2	2
78	CASE VEGETB A AS	CASE+FRAME	x	1	1	1	1	1
		CASE(NANO)+FRAME						
79	CASE VEGETB B AS	CASE+FRAME	1	1	1	1	1	1
		CASE(NANO)+FRAME						
80	DEO ANTI AS	W40XT5XL40	1	1	1	1	1	1
81	COVER RETURN DUCT	PP	1	1	1	1	1	1
82	COVER VEGETB CASE B	GPPS	1	1				
83	GUIDE CASE C *L AS	HIPS	1	1				
84	GUIDE CASE C *R AS	HIPS	1	1	x			x
85	CASE VEGETB C AS	CASE+FRAME	1	1				
		CASE(NANO)+FRAME						
86	COVER CHANGE RM	GPPS						1
87	BOX CHANGE RM	HIPS						1
88	DAMPER AS	DU24-012						1
89	COVER DUCT CH RM AS	PP+SEAL						1
90	GUIDIE CHANGE RM *L	ABS	x	x			x	1
91	GUIDIE CHANGE RM *R	ABS						1
92	BOX CONTL CH RM AS							1
93	CASE CHANGE RM AS	CASE+FRAME+GASKET						1
		CASE(NANO)+FRAME+GASKET						
93	CASE EGG AS	CASE+VINYL	1	1	1	1	1	1
94	TANK WATER AS	FRU-541D	x	1	1	1	1	1

- Some parts can be changed for improving their performance without notice.
 - Above parts number doesn't describe your own colour & printing. Please remind!

Freezer Room

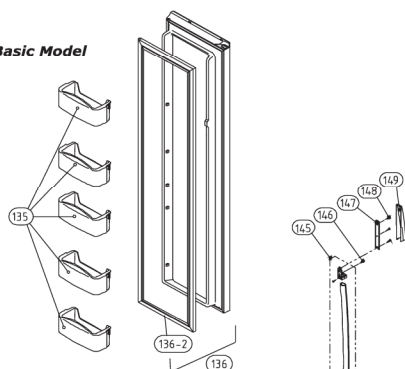


NO	PART NAME	SPEC.	Q'ty				
			201A	20DA	20EA	20FA	20GA
76	GUIDE CASE A *L AS	HIPS	1	1	1	1	1
77	GUIDE CASE A *R AS	HIPS	1	1	1	1	1
83	GUIDE CASE C *L AS	HIPS	1	1	1	1	1
84	GUIDE CASE C *R AS	HIPS	1	1	1	1	1
96	GUIDE DRN	GA	1	1	1	1	1
97	CASE ICE	PP	2				
98	SHELF F ICE AS	FRAME+PRINTED GLASS+FIXTURE	1				
100	MOTOR F FAN	D4612AAA21	1	1	1	1	1
101	LOUVER F A	ABS	1	1	1	1	1
102	FAN	ABS OD3.17XD130	1	1	1	1	1
103	CLAMP FAN	SUS 304	1	1	1	1	1
105	CAP F LOUVER B	HIPS	2	2	2	2	2
106	LOUVER F B AS	HIPS	1	1	1	1	1
107	COVER F RETURN	HIPS	1	1	1	1	1
111	FRAME ICE MAKER AS	FRU-541D(R-134a) FRU-541D(R-600a)		1	1	1	1
113	GUIDE G/MOTR BRKT *L	ABS		1	1	1	1
114	GUIDE G/MOTR BRKT *R	ABS		1	1	1	1
115	BRACKET GEARED MOTR AS	(MOLD/DY) 110~127V/60Hz (MOLD/DY) 220V/60Hz (MOLD/DY) 220~240V/50Hz	x	1	1	1	1
116	GUIDE ICE CRUSHER *L	ABS		1	1	1	1
117	GUIDE ICE CRUSHER *R	ABS		1	1	1	1
118	CASE I/CRUSHER AS	FRU-541D		1	1	1	1
119	COVER F FAN AS	FRU-5711 FRU-541/547/549/54B			x		
119-1	SOCKET F LAMP AS	FR-S570FRB		1	1	1	1
122	LAMP F	AC 240V 25W(S) AC 125V 25W	1	1	1	1	1
124	WINDOW F LAMP	MIPS	1	1	1	1	1
126	SENSOR F AS	PT-38	1	1	1	1	1
127	COVER F SENS	ABS	1	1	1	1	1
128	SWITCH DR	SP201R-7DR (R-134a) SPF101B-1D (R-600a)	1	1	1	1	1
129	SHELF F AS	PRINTED GLASS	3	3	3	3	3
130	CASE F A AS	CASE+FRAME CASE(NANO)+FRAME	1	1	1	1	1
133	CASE F B AS	CASE+FRAME CASE(NANO)+FRAME	1	1	1	1	1

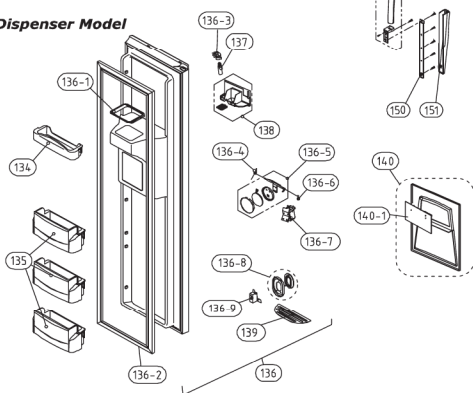
Date	A mendment Note
07. 4. 5.	No.76,77,83,84,119(ECM) code change.

Freezer Door

※ Basic Model



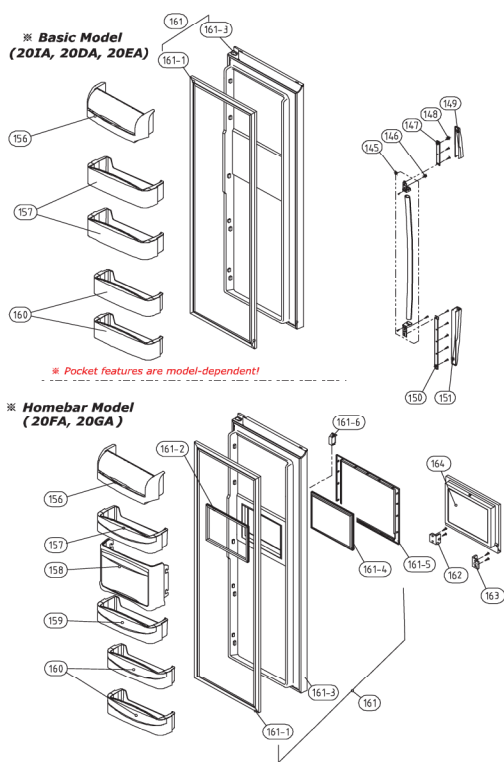
※ Dispenser Model



NO	PART NAME	SPEC.	Q'ty				
			201A	20DA	20EA	20FA	20GA
134	POCKET F *T	HIPS	x	1	1	1	1
135	POCKET F	HIPS	5	3	3	3	3
136	ASSY F DR	FRU-541D	1	x	x	x	x
		FRU-571I	x	1	1	1	1
136-1	CAP ICE PATH FRAME	PP(FRS-551F)	x	1	1	1	1
136-2	GASKET F DR AS	PVC+MAGNET	1	1	1	1	1
136-3	SOCKET LAMP AS	220V 15W	x	1	1	1	1
136-4	SPRING ICE D LEVR	SUS	x	1	1	1	1
136-5	COVER I/FLAP AS	FRU-541D	x	1	1	1	1
136-6	FIXTURE I/SHUT LUVR	FR-S650CD	x	1	1	1	1
136-7	VALVE SOL DISP	220V 60HZ					
		110~127V/60z	x	1	1	1	1
		220~240V/50Hz					
136-8	BUTTON DISPNS AS	FRU-541D	x	1	1	1	1
136-9	SWITCH MICRO	VP333A-2D	x	1	1	1	1
137	LAMP AS	240V/15W 110V/15W	x	1	1	1	1
138	BOX DISPNS I/SHUT AS	FRU-541D	x	1	1	1	1
139	GRILLE DISPNS	ABS	x	1	1	1	1
140	COVER DISPNS BOX AS	FRU-541D	x	1	1	1	1
140-1	PCB FRONT AS	FRU-541F	x	1	1	1	1
145	HANDLE AS	FRU-571I	1	1	1	1	1
146	SPECIAL SCREW	WASR+TRSSX16MFZN	2	2	2	2	2
147	BASE HANDLE *T	HIPS	1	1	1	1	1
148	SCREW TAPPING	T1 TRS 4*12 MFZN	8	8	8	8	8
149	COVER HNDLDECO *T	ABS+SPRAY	1	1	1	1	1
150	BASE HANDLE *U	HIPS	1	1	1	1	1
151	COVER HNDLDECO *U	ABS+SPRAY	1	1	1	1	1

- Some parts can be changed for improving their performance without notice.
 - Above parts number doesn't describe your own colour & printing. Please remind!

Date	Amendment Note
07. 4. 6.	No.136-7 code change, No. 136 Renumbering.



NO	PART NAME	SPEC.	Q'ty				
			201A	20DA	20EA	20FA	20GA
145	HANDLE AS	FRU-571I	1	1	1	1	1
146	SPECIAL SCREW	WASR+TRSSX16MFZN	2	2	2	2	2
147	BASE HANDLE *T	HIPS	1	1	1	1	1
148	SCREW TAPPING	T1 TRS 4*12 MFZN	8	8	8	8	8
149	COVER HNDLDECO *T	ABS+SPRAY	1	1	1	1	1
150	BASE HANDLE *U	HIPS	1	1	1	1	1
151	COVER HNDLDECO *U	ABS+SPRAY	1	1	1	1	1
156	POCKET DAIRY AS	FRU-571I	1	1	1	1	1
157	POCKET R *M AS	FRU-541D	x	2	2	1	1
	POCKET R	FRU-571I	2		x		
158	CASE H/BAR AS	FRU-541F				1	1
159	POCKET R H/BAR AS	FRU-541F		x		1	1
160	POCKET R *S AS	FRU-541D	x	2	2	2	2
	POCKET R *S	FRU-571I	2		x		
161	ASSY R DR	FRU-541F		x		1	1
	ASSY R DR	FRU-571I	1	1	1	-	-
161-1	GASKET R DR AS	PVC	1	1	1	1	1
161-2	GASKET H/BAR B AS	PVC				1	1
161-3	ASSY R DR URT	FRU-541F		x		1	1
	ASSY R DR URT	FRU-571I	1	1	1		x
161-4	GASKET H/BAR A AS	PVC				1	1
161-5	COVER FRAME H/BAR	ABS				1	1
161-6	SWITCH H/BAR DR AS	SP101B-2D1(T)				1	1
162	STOPPER H/BAR DR *R	PO T4.0		x		1	1
163	STOPPER H/BAR DR *L	PO T4.0				1	1
164	DOOR H/BAR URT AS	FRU-541F				1	1

- Some parts can be chaged for improving their performance without notice.
- Above parts number doesn't describe your own colour & printing. Please remind!

Date	A mendment Note
07. 4. 6.	No. 161 Renumbering.