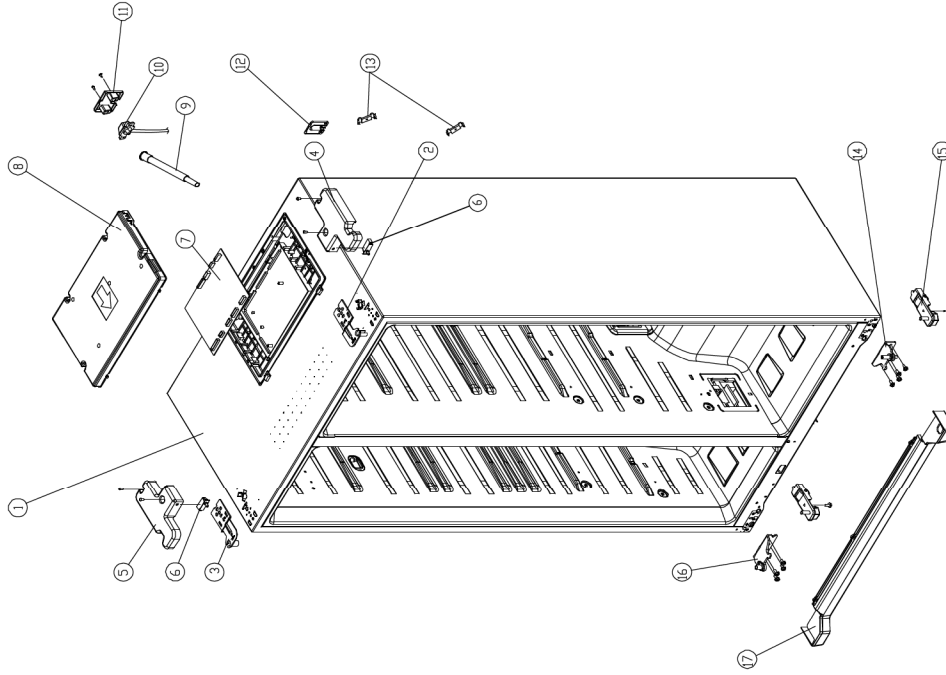


**Cabinet Parts**

NO	PART-CODE	PART NAME	SPEC.	Q'ty	
				Basic Model	Dispenser Model
1	-	ASSY CAB URT	-	1	1
2		HINGE *T *R	PO T3.0+PAINT	1	1
3		HINGE *T *L	PO T3.0+PAINT	1	1
4		COVER HI *T *R	PP	1	1
5		COVER HI *T *L	PP	1	1
6		SWITCH HI/BAR DR AS	SP101B-2DI	2	2
			X22B	1	x
7		PCB MAIN AS	22D3..(Non Inverter Comp.)		1
			22D3..(Inverter Comp.)	x	
			22F3..(Non Inverter Comp.)		1
			22F3..(Inverter Comp.)		
8		COVER M/PCB BOX	PP(FB-72)	1	1
9		HOSE ICE MAKER TUBE AS	220~240V/5W		1
			110~127V/5W	x	
10		GUIDE CAB W/TUBE A AS	X22.. MODEL	x	1
			Y22.. MODEL	x	1
11		COVER GUIDE CAB W/T A	PP	x	1
12		COVER GUIDE CAB W/FILT	PP	x	1
13		CLAMP W/TUBE C	HIPS	x	2
14		HINGE *U *R AS		1	1
15		BRACKET ADJ FOOT AS		1	1
16		HINGE *U *L AS		1	1
17		COVER CAB BRKT AS	PP	1	1

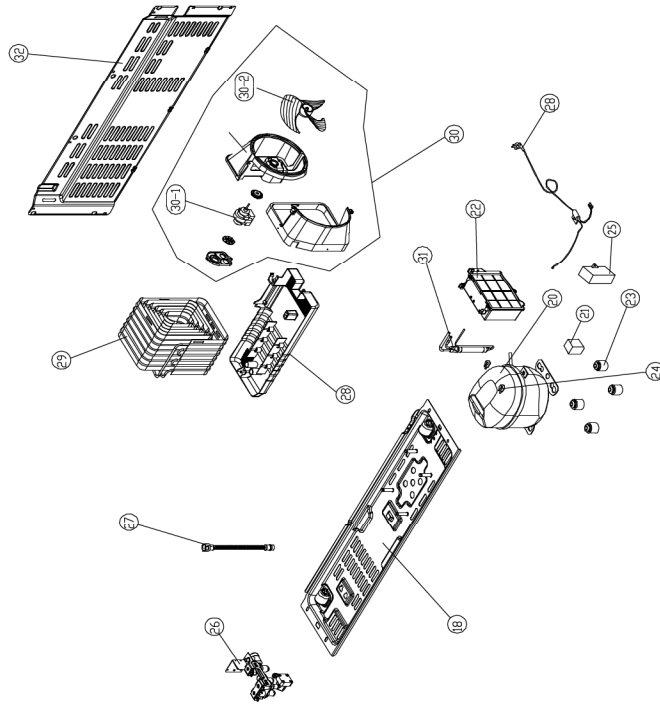
- Some parts can be changed for improving their performance without notice.



No	Date	Note	Remark

**MACHINE ROOM PARTS**

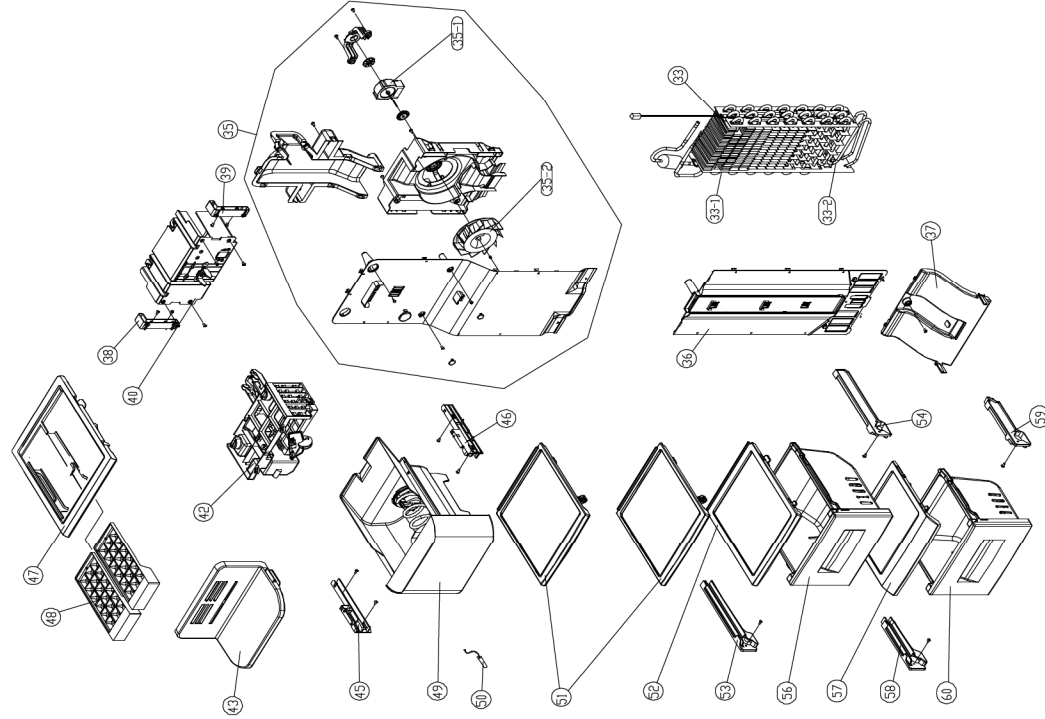
NO	PART-CODE	PART NAME	SPEC.	Q'ty		
				Basic Model	Dispenser Model	
18		BASE COMP AS	-	1	1	
19		CORD POWER AS	COUNTRY Dependent	1	1	
20		COMPRESSOR	MK183H-L2UB(220V/60HZ)	1	1	
			MK183D-L2UB(110-127V)			
			MK183Q-L2UB(220-240V/50Hz)			
			DG125E11RAW5(220-240V/50Hz)			
			LQ140NAEM(220-240V/50Hz)			
21		SWITCH P RELAY AS	<b>EU445Q-L2X, Inverter Comp.</b>	x		
			265RFB, J531Q34E220M(MK183H-L2UB)			
			445PHB, J531Q32E6F8M(MK183D-L2UB)			
			265RFB, J531Q35E330M(MK183Q-L2UB)	1	1	
			232NFB, PTH7M330MD2(DG12E11RAW)			
			4TM205RFB, 330M(LQ140NAEM)			
			<b>4TM319SFB(EU445Q), Inverter Comp.</b>	x		
			<b>PP(EU445Q Only), Inverter Comp.</b>	x	1	
	22		BOX INVERTER AS	NBR	4	4
	23		ABSORBER COMP	NBR+SPRING	4	4
24	COMP WASHER	SK-5 T0.8	4	4		
25		CAPACITOR RUN	400VAC/5 μF (WIRE, P2)	1	1	
			350VAC/5 μF (WIRE, P2)			
			250VAC/12 μF (WIRE, P2)			
			220-240V(Y22..MODEL)			
26		VALVE WATER AS	<b>110-127V(Y22..MODEL)</b>	x	1	
			220-240V(X22..MODEL)			
			<b>110-127V(X22..MODEL)</b>			
27	HOSE DRN B	PE FRB-5970NB	x	1		
28	CASE VAPORI AS	FRX-621B	1	1		
29	PIPE WICON AS	TWS OD4.76*10.7	1	1		
30	MOUTH BELL AS	FRX-621B	1	1		
30-1	MOTER C FAN	D4612AAA31	1	1		
30-2	FAN	PP OD3.17*D150	1	1		
31	DRYER AS	C1220T-M OD19.05*L135	1	1		
32	COVER MACH RM AS		1	1		



- Some parts can be chaged for improving their performance without notice.

**F-ROOM PARTS**

NO	PART-CODE	PART NAME	SPEC.	Q'ty	
				Basic Model	Dispenser Model
33		EVA AS	220-240V, 280W 110-127V, 250W	1	1
33-1		SENSOR D AS	PBN-43	1	1
33-2		HEATER SHEATH AS	220-240V, 280W 110-127V, 250W	1	1
35		LOUVER F A AS	FRY-621B	1	1
35-1		MOTOR F FAN AS		1	1
35-2		FAN F		1	1
36		LOUVER F B AS	FRY-621B	1	1
37		COVER F RETURN	HIPS	1	1
38		GUIDE G MOTR BRKT*L	ABS	1	1
39		GUIDE G MOTR BRKT*R	ABS	1	1
40		BRACKET GEARED MOTR AS	FRX-601D, 220-240V FRX-601D, 110-127V	x	1
42		FRAME I/MAKER AS	FRX-601D		1
43		COVER I/CRUSHER*T	HIPS		1
45		GUIDE I/CRUSHER *L	ABS		1
46		GUIDE I/CRUSHER *R	ABS		1
47		SHELF F ICE AS	FRX-621B	1	x
48		CASE ICING	PP	2	x
49		CASE I/CRUSHER AS	FRX-601D	x	1
50		SENSOR F AS	PT-38	1	1
51		SHELF F AS		2	2
52		COVER F CASE*T AS		1	1
53		GUIDE CASE A *L AS	FR-S580EG(PP)	1	1
54		GUIDE CASE A *R AS	FR-S580EG(PP)	1	1
56		CASE F*T AS		1	1
57		COVER F CASE *U	HIPS	1	1
58		GUIDE CASE C *L AS	FRU-571I(PP)	1	1
59		GUIDE CASE C *R AS	FRU-571I(PP)	1	1
60		CASE F*U AS	FRX-621B	1	1

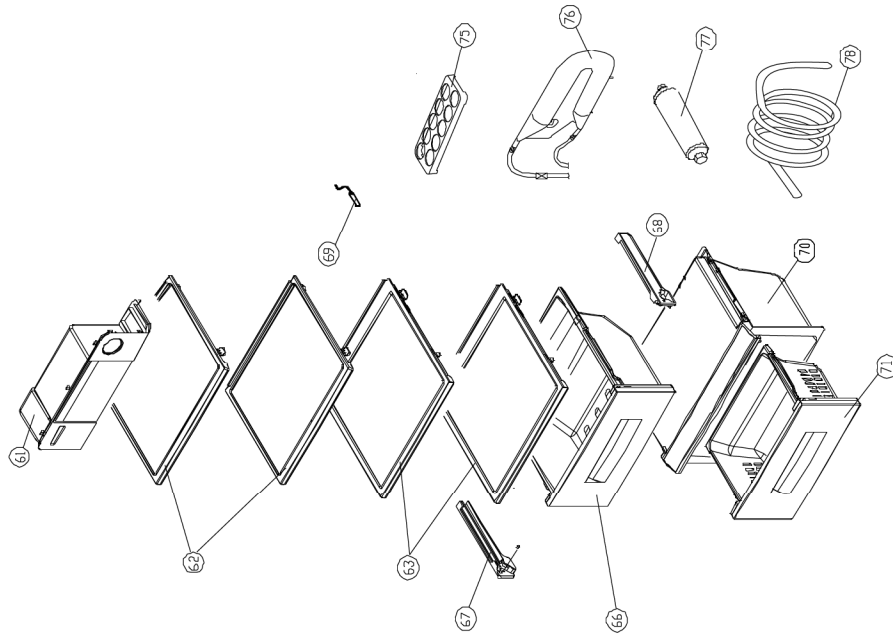


- Some parts can be chaged for improving their performance without notice.

**R-ROOM PARTS**

NO	PART-CODE	PART NAME	SPEC.	Qty	
				Basic Model	Dispenser Model
61		COVER DAMPER AS	FRS-X22B, FRS-X22D. FRS-Y22D..	1 x	1
62		SHEPLF R AS	FRX-621B	2	2
63		COVER VEGETB CASE AS	FRX-621B	2	2
66		CASE VEGETB* M AS	FRX-621B	1	1
67		GUIDE CASE A *L AS	FR-S580EG(PP)	1	1
68		GUIDE CASE A *R AS	FR-S580EG(PP)	1	1
69		SENSOR R AS	PBN-43B	1	1
70		COVER CHANGE RM AS	FRX-601G	1	1
71		CASE VEGETB *U AS	FRX-621B	x	x
75		CASE EGG TRAY	GPPS(CRYSTAL)	1	1
76		TANK WATER AS	FRU-541D	x	1
77		S/PART FILT WATER AS	X22... MODEL Y22... MODEL	x x	1
78		S/PART W/TUBE AS	X22... MODEL Y22... MODEL	x x	1

- Some parts can be chaged for improving their performance without notice.



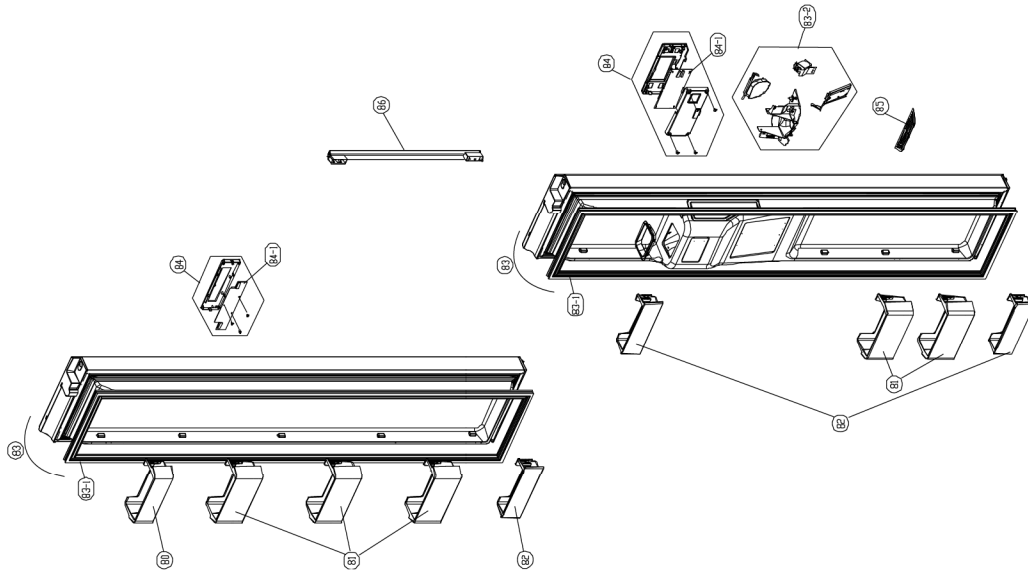
No	Date	Note	Remark

**F-DOOR**

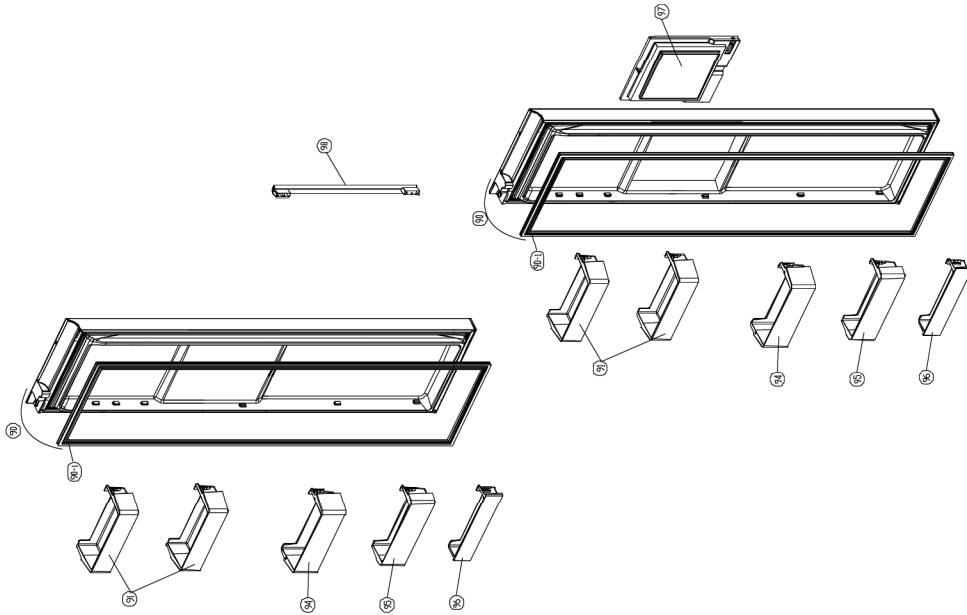
NO	PART-CODE	PART NAME	SPEC.	Qty	
				Basic Model	Dispenser Model
80		POCKET F*T	GPPS	x	2
81		POCKET F*M	GPPS	1	x
82		POCKET F*U	GPPS	3	2
83		ASSY F DR	FRX-623, DWH1C	1	X
			FRX-623, TSH5E		
			FRX-603, DWH1C		
			FRX-603, TSH5E	x	1
83-1		GASKET F DR AS	FRX-621B	1	1
83-2		BOX DISPNS I/SHUT AS	220-240V/50Hz		
			110-127V/60Hz	x	1
84		COVER F PCB AS	FRX-623	1	x
84-1		PCB FRONT AS	PANEL *F CONTLAS	x	1
			FRX-603	1	x
			FRX-603	x	1
85		GRILLE DISPS	ABS	x	1
			FRX-603F, SPRAY	1	1
86		HANDLE F DR AS		1	1

- Some parts can be chaged for improving their performance without notice.

No	Date	Note	Remark



**R-DOOR**



NO	PART-CODE	PART NAME	SPEC.	Qty	
				Non H/Bar Door	H/Bar Door
90		ASSY R DR	FRX-603D, DWH1C	1	x
			FRX-603D, TSH5E		
			FRX-603F, DWH1C	x	1
			FRX-603F, TSH5E		
90-1		GASKET R DR AS	PVC+MAGNET	1	1
91		POCKET R*T	GPPS	2	2
94		POCKET R H/BAR	GPPS	1	1
95		POCKET R*M	GPPS	1	1
96		POCKET R*U	GPPS	1	1
97		DOOR H/BAR AS	TITANIUM	1	1
			WHITE		
98		HANDLE F DR AS	FRX-603F, SPRAY	1	1

**- Some parts can be chaged for improving their performance without notice.**

No	Date	Note	Remark