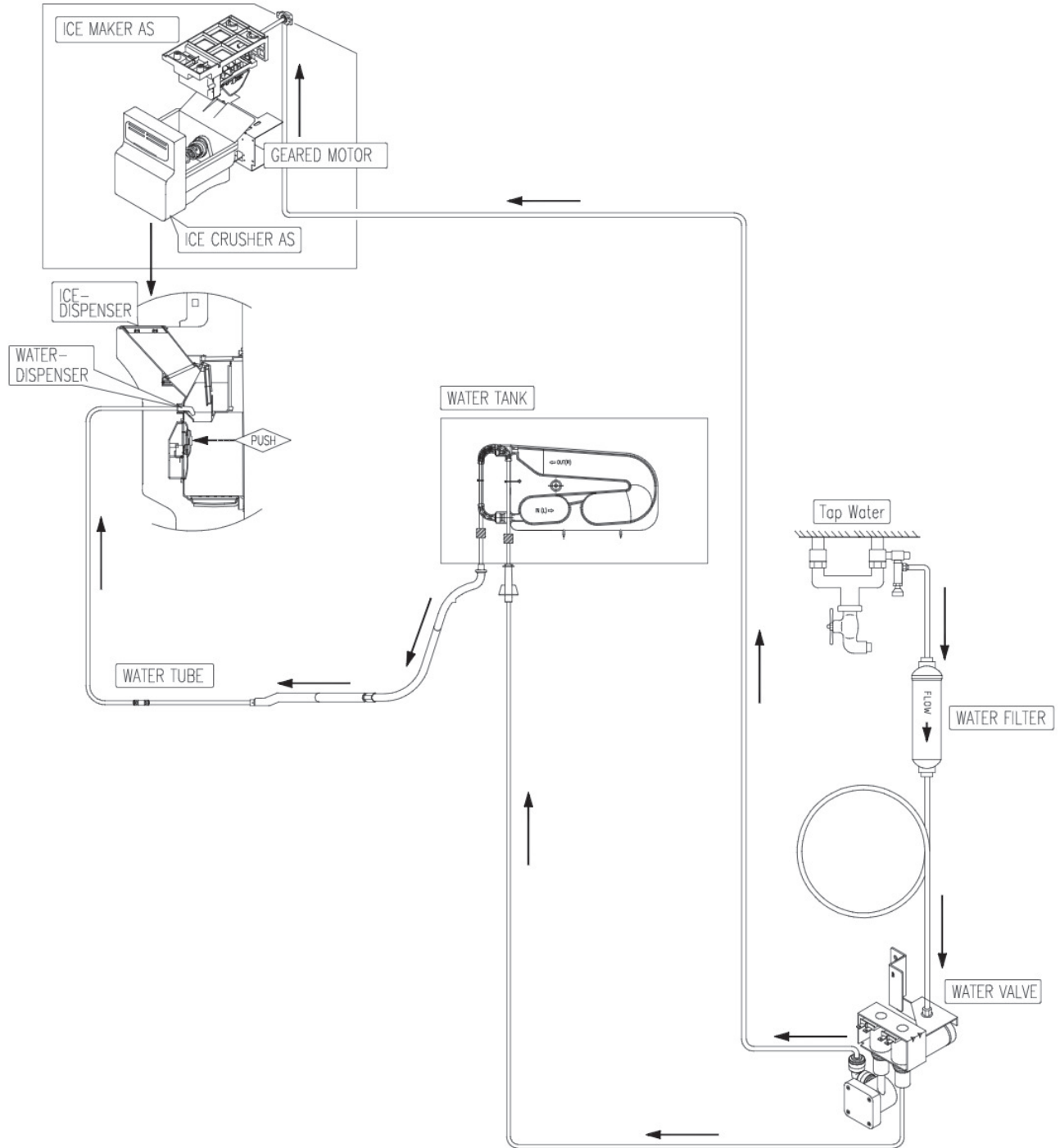


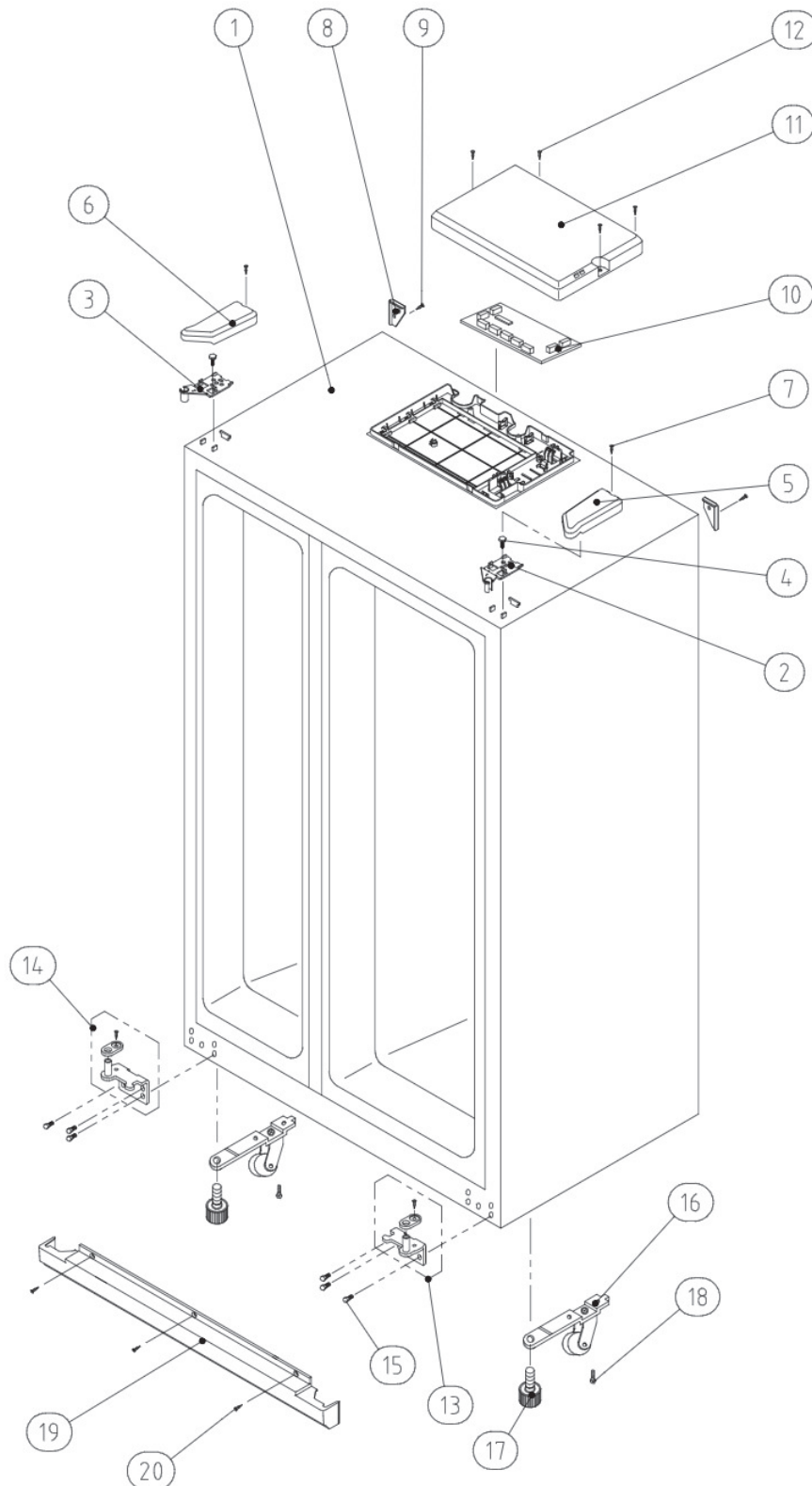
11-5. Dispenser Water Flow



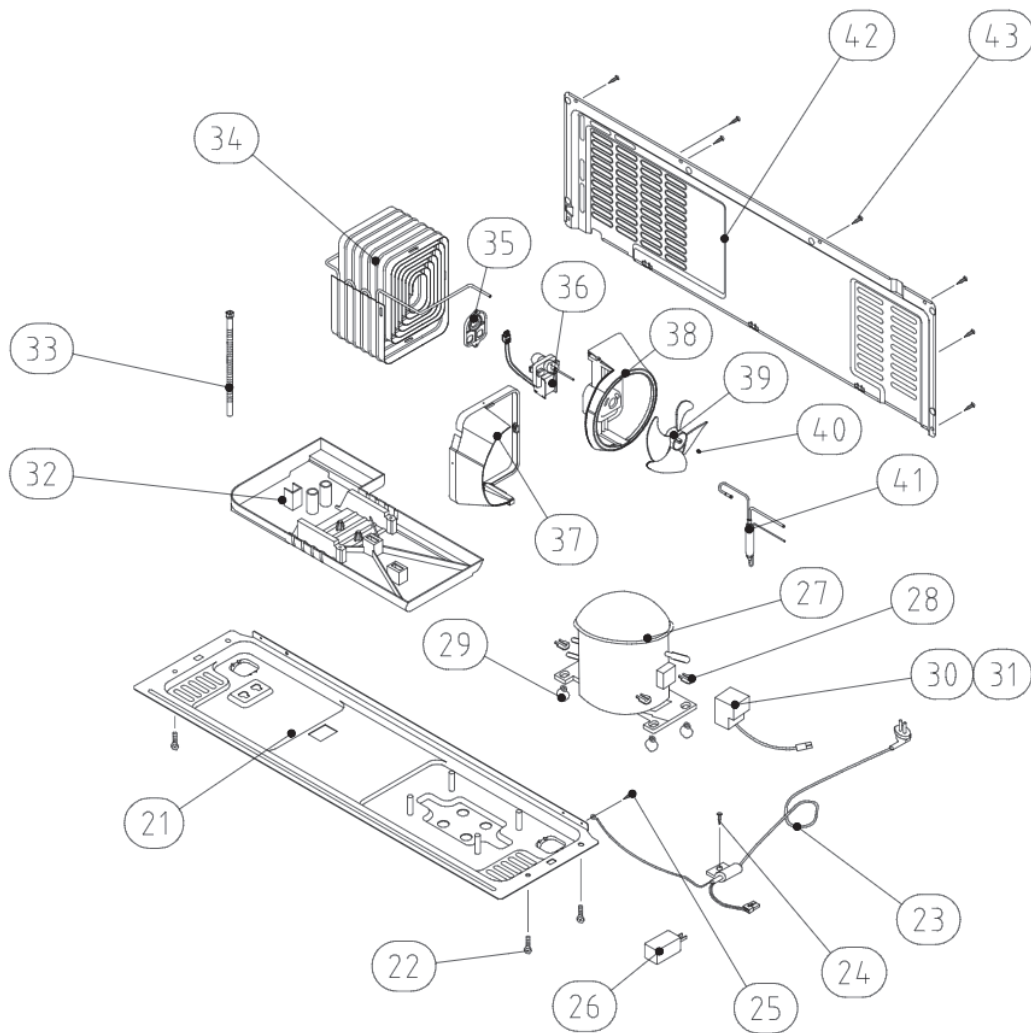
12. EXPLODED VIEW & PARTS LIST

12-1. FRS(N)-U20IA

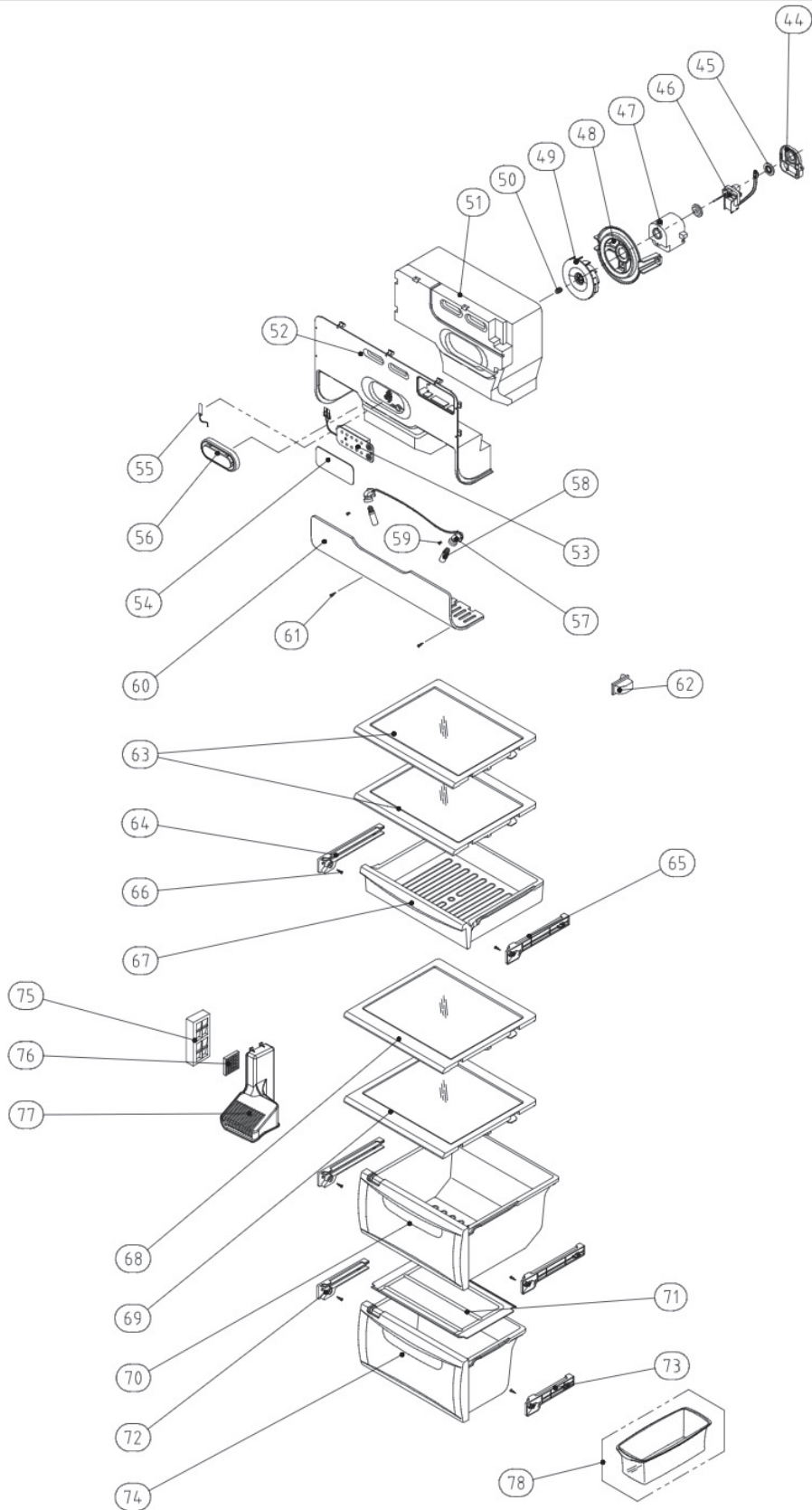
CABINET



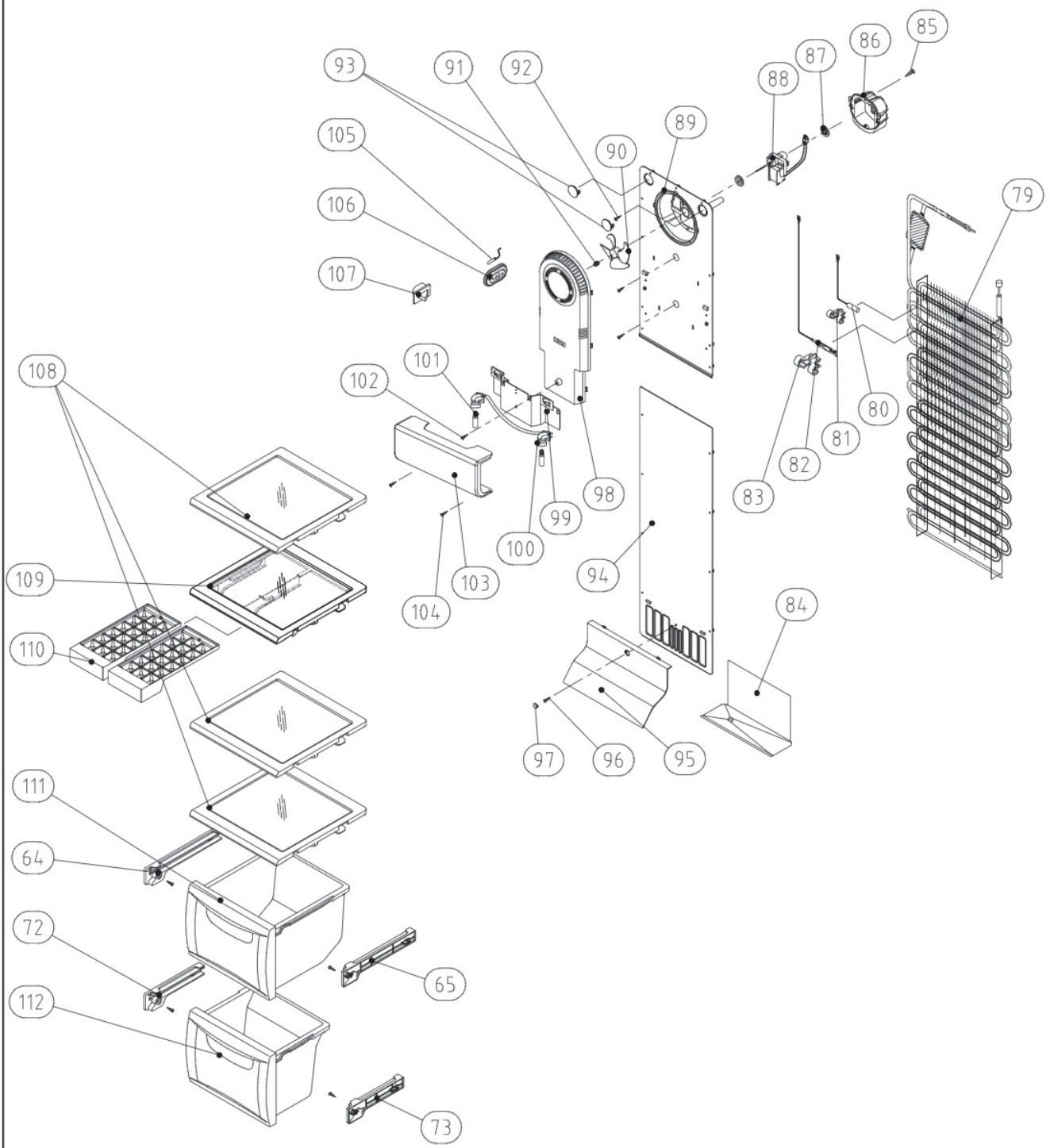
MECH ROOM



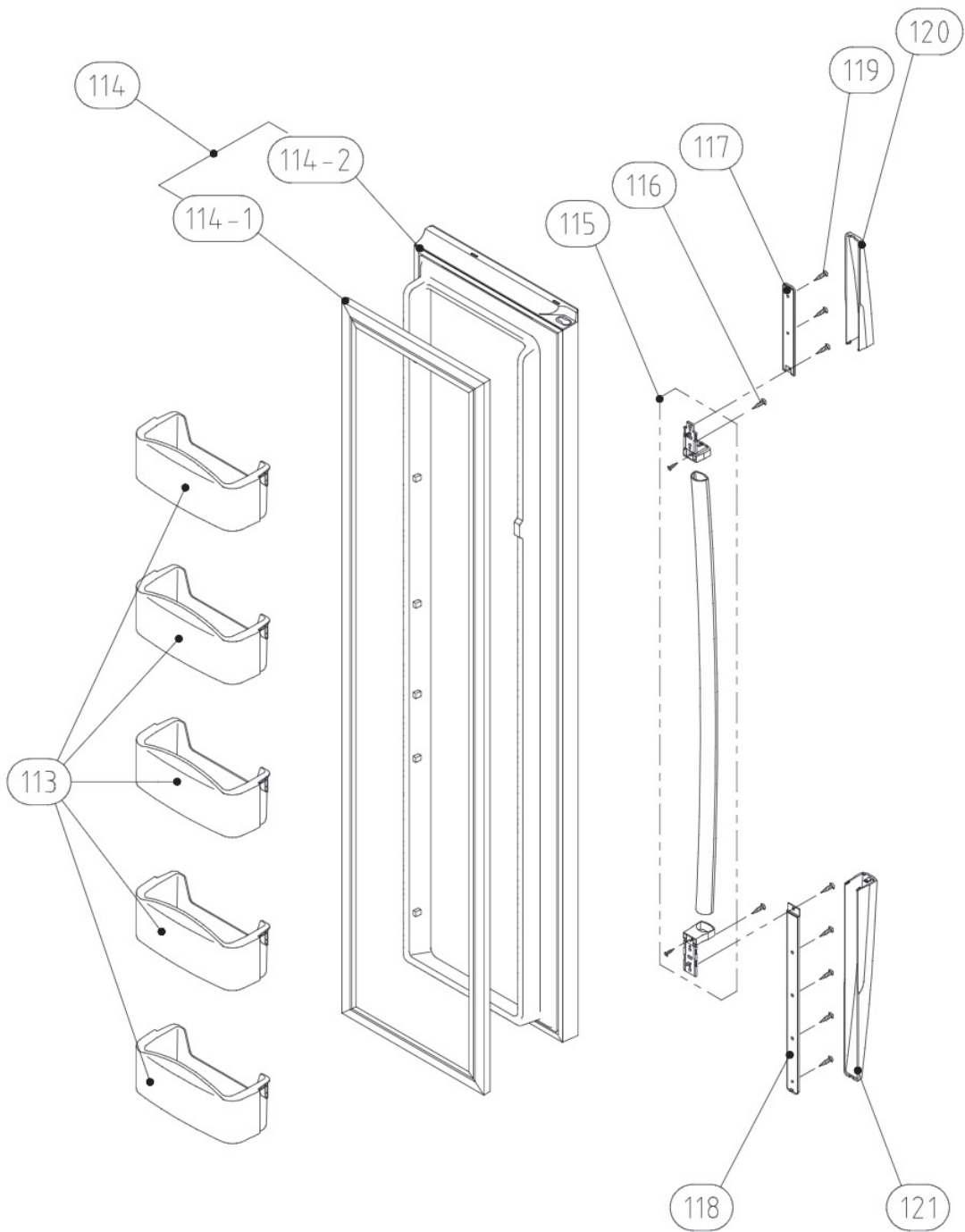
R ROOM



F ROOM



F DOOR



R DOOR

