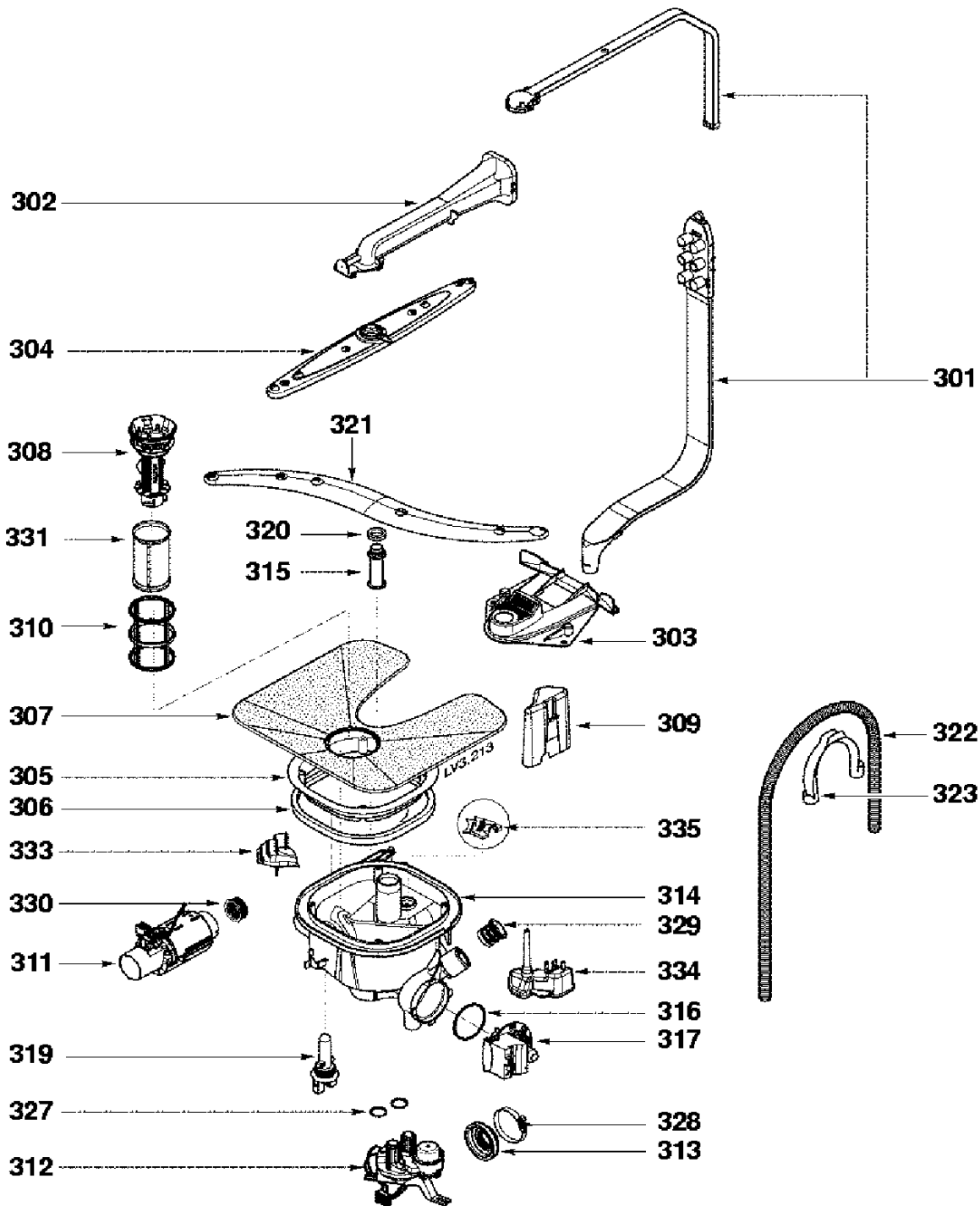
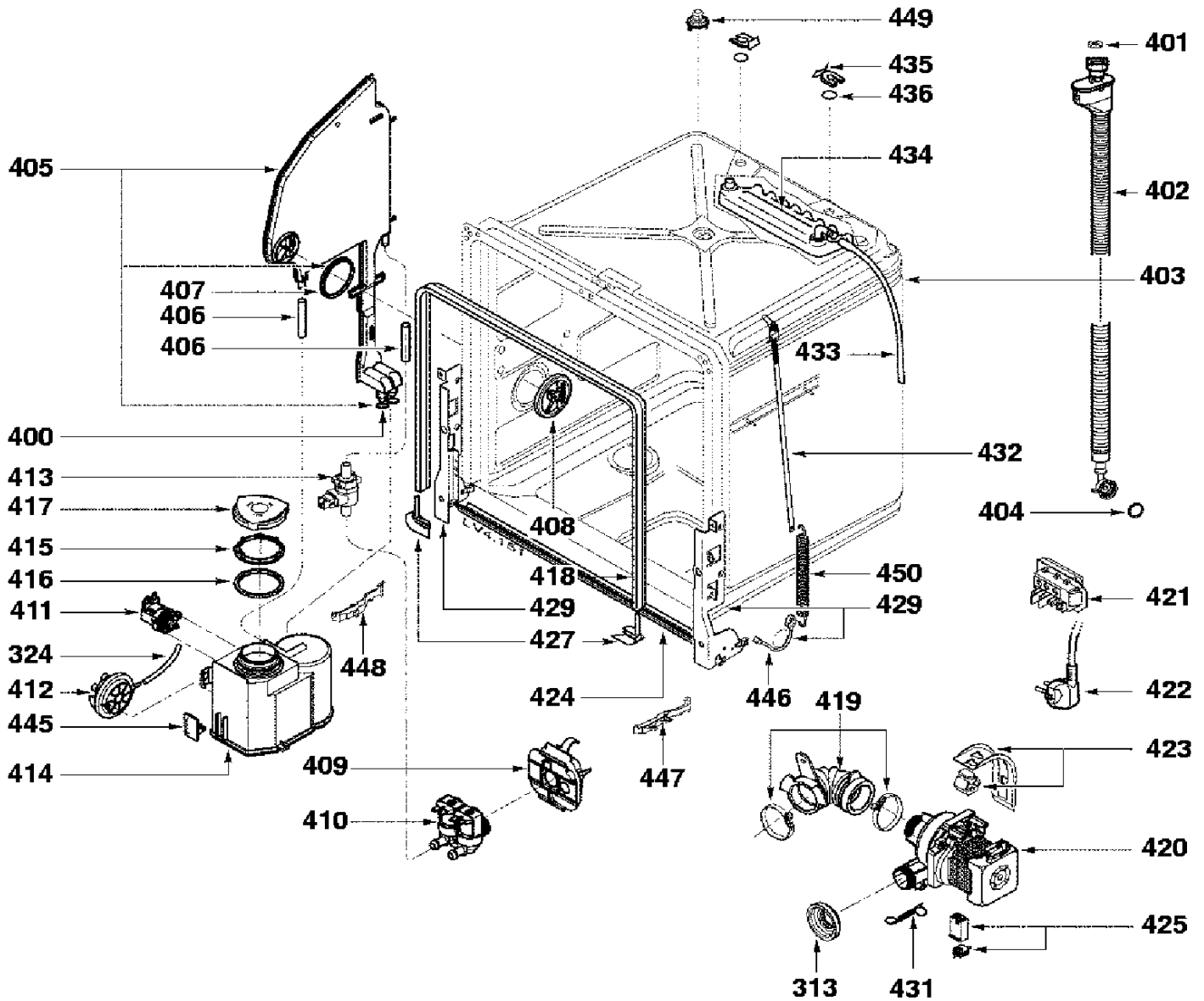


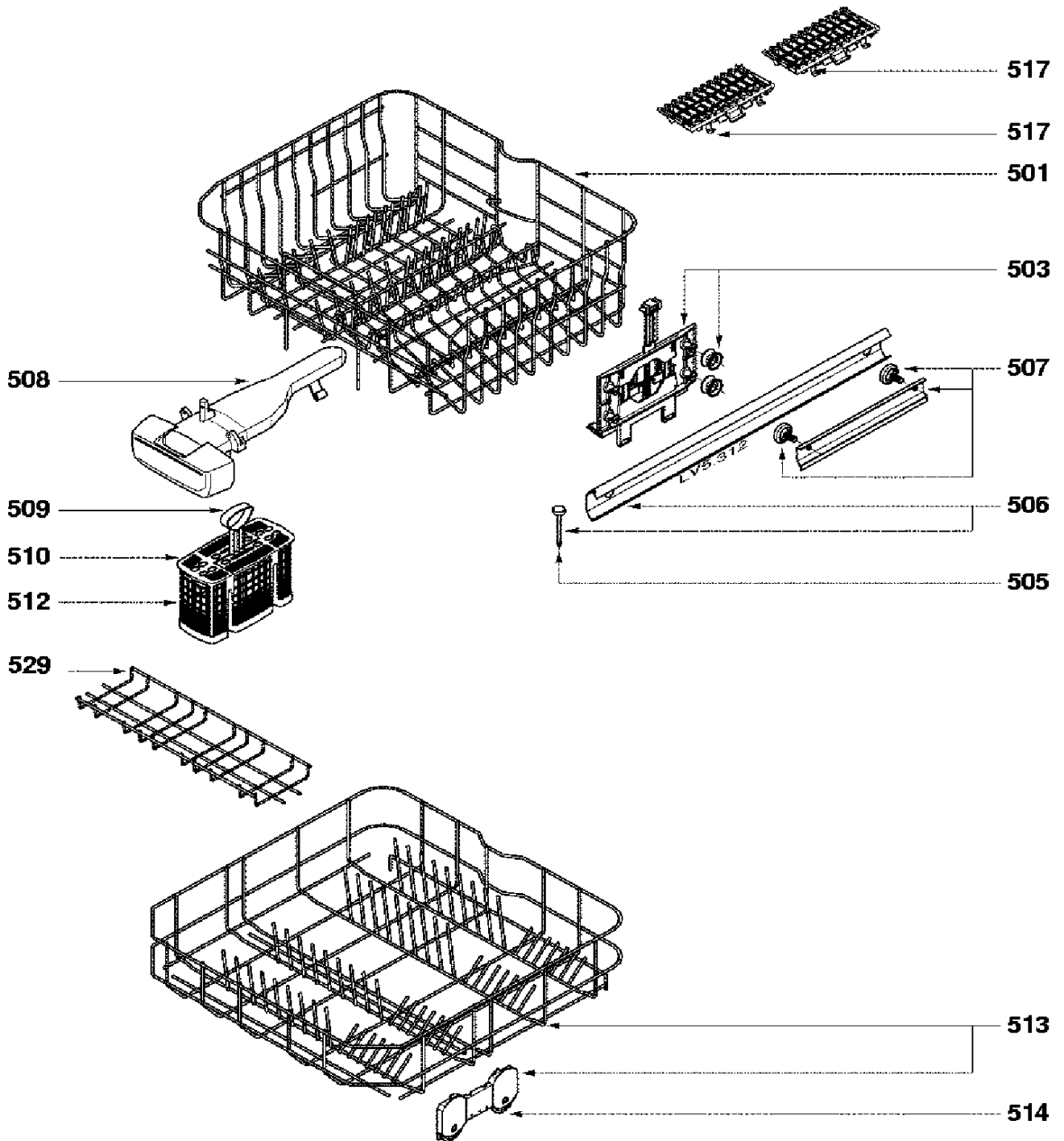
LV2.373



LV3.213



LV4.151



LV5.312

Pos.	Reference	Description
	31X6491	FILM
	32X0050	WALLET
	32X0474	FELT
	32X0838	DRILLING JIG
	83X0275	INSTRUCTIONS FOR USE
	83X0278	INSTRUCTIONS FOR USE
	32X0559	WALLET
	32X0774	PIPE SPT
	32X0339	GRID
100	32X0604	LEFT-HAND PANEL
101	32X0605	RIGHT-HAND PANEL
102	32X0324	FRONT ANGLE BRACKET
103	32X0681	CIRCUITRY
104	32X0507	MOUNTING KIT
105	32X0453	BUILT-IN DOOR
107	31X9427	PLINTH
108	31X9254	BASE PLATE
109	31X9258	ADJUSTABLE LEG
110	31X8450	CAPACITOR
111	32X0253	FRAME
112	32X0254	FILTER NOISE
113	32X0255	C'WT., CONCRETE
114	31X8342	ATTACHMENT
115	32X0473	PROFILE, SEAL
117	32X0508	FELT
122	31X9274	REAR FOOT
123	31X8452	ANTI-F MINI-SWITCH
124	31X8451	FLOAT
125	32X0722	POWER CARD
131	31X9291	ADJUSTING KNOB
132	32X0606	PLUG
201	31X8389	BOLT
202	32X1034	PUSH SWITCH HOLDER
203	32X1035	COVER
204	32X1033	LEVER
205	32X1497	STRIP ASSEMBLY
206	31X9372	BUTTON
208	31X9178	SWITCH
210	31X9512	LOCK
211	51X5928	MICROSWITCH
215	31X0218	SCREW
216	32X0259	DETERGENT BOX
217	31X8511	SEAL, TUB
218	32X0260	NUT
220	57X0856	RED INDICATOR
222	31X8455	INDICATOR LAMP SPT
223	31X8456	DOOR BACK
234	32X0586	CONTROL CARD
235	32X1498	KEYBOARD, DISPLAY
236	31X8458	KEYPAD, KEY TYPE
237	31X8553	PLUG SEAL
238	31X8554	PLUG
239	31X8552	JACK
301	32X0262	ARM INLET
302	32X0263	SPRAY ARM
303	32X0264	CLAMP
304	32X0265	UPPER ARM
305	31X5063	ATTACHMENT
306	31X5032	SEAL, CYCLING UNIT
307	32X0266	FILTER, MAIN
308	32X0595	FILTER, DRAIN
309	32X0268	COMPRESSION CHAMBER
310	32X0741	FILTER
311	32X0270	HEATING ELEMENT
312	32X0295	VALVE
313	32X0272	SEAL, TURBINE
313	32X0272	SEAL, TURBINE
314	32X0273	HYDRAULIC UNIT
315	32X0274	HUB
316	31X8254	GASKET

Pos.	Reference	Description
317	32X0275	PUMP, DRAIN
319	32X0276	THERMISTOR
320	31X8357	MILLED BUSH
321	32X0277	LOWER SPRAY ARM
322	32X0278	DRAIN PIPE
323	32X0279	BEND, DRAIN
324	32X0282	PRESSURE SWITCH PIP
327	31X8408	SEAL
328	31X8636	SKIRT, ATTACHING
329	32X0280	VALVE, NON-RETURN
330	32X0281	IMMERSION HEATER SEA
331	32X0597	METAL FILTER
333	32X0490	DEFLECTOR
334	32X0491	DRIP CATCHER
335	32X0492	DRAIN COVER
400	31X8515	POT SEAL
401	51X3238	SEAL, WATER INLET
402	31X8771	SUPPLY PIPE
403	32X0316	TUB ASSEMBLY
404	51S8540	SEAL, UNION
405	31X9538	DISTRIBUTOR
406	31X1267	PIPE
407	31X5043	SEAL, WATER INLET
408	32X0284	TRIM
409	32X1025	SOLENOID SUPPORT
410	31X8522	ELECTRIC VALVE,2-WAY
411	31X8551	VALVE
412	32X0285	PRESSURE SWITCH
413	32X0302	FLOW METER
414	31X9459	SOFTENER
415	31X8369	NUT, SALT CONTAINER
416	31X8370	SEAL, SOFTENER
416	31X8370	SEAL, SOFTENER
417	31X8371	SALT CONTAINER PLUG
418	31X9540	DOOR SEAL
419	32X0287	BEND
420	32X0458	PUMP, CYCLING
421	31X9235	MAINS UNIT
422	31X9243	CORD, MAINS
423	31X8375	MOTOR HOLDER
424	31X8631	PLASTIC DRIP FLAP
425	32X0459	MOTOR WIRING
427	31X8635	GASKET SUPPORT
429	32X0611	HINGE
431	32X0317	SPRING
432	32X0612	SKIRT, ATTACHING
433	31X5914	SOLENOID 2 PIPE
434	31X5148	DRYING RAMP
435	31X5149	CLIP
436	31X5146	SEAL, DRYING RAMP
445	31X8550	DETECTOR, DETERGENT
445	31X8550	DETECTOR, DETERGENT
446	31X8637	DOOR CABLE
447	31X9034	GUTTER
448	31X9035	GUTTER
449	32X0303	PLUG
450	32X0799	SPRING
501	32X0342	BASKET, UPPER
503	32X1026	WHEEL SUPPORT
505	31X8381	END
506	31X8382	SLIDE
507	31X8383	SLIDE SUPPORT
508	31X9987	DETERGENT DISPENSER
509	32X0493	HANDLE, BASKET
510	32X1027	GRID
512	32X0494	SILVERWARE BASKET
513	31X8388	LOWER BASKET
514	31X2539	WHEEL, LOWER RACK
517	32X0405	HALF-RACK
529	32X0319	BASKET