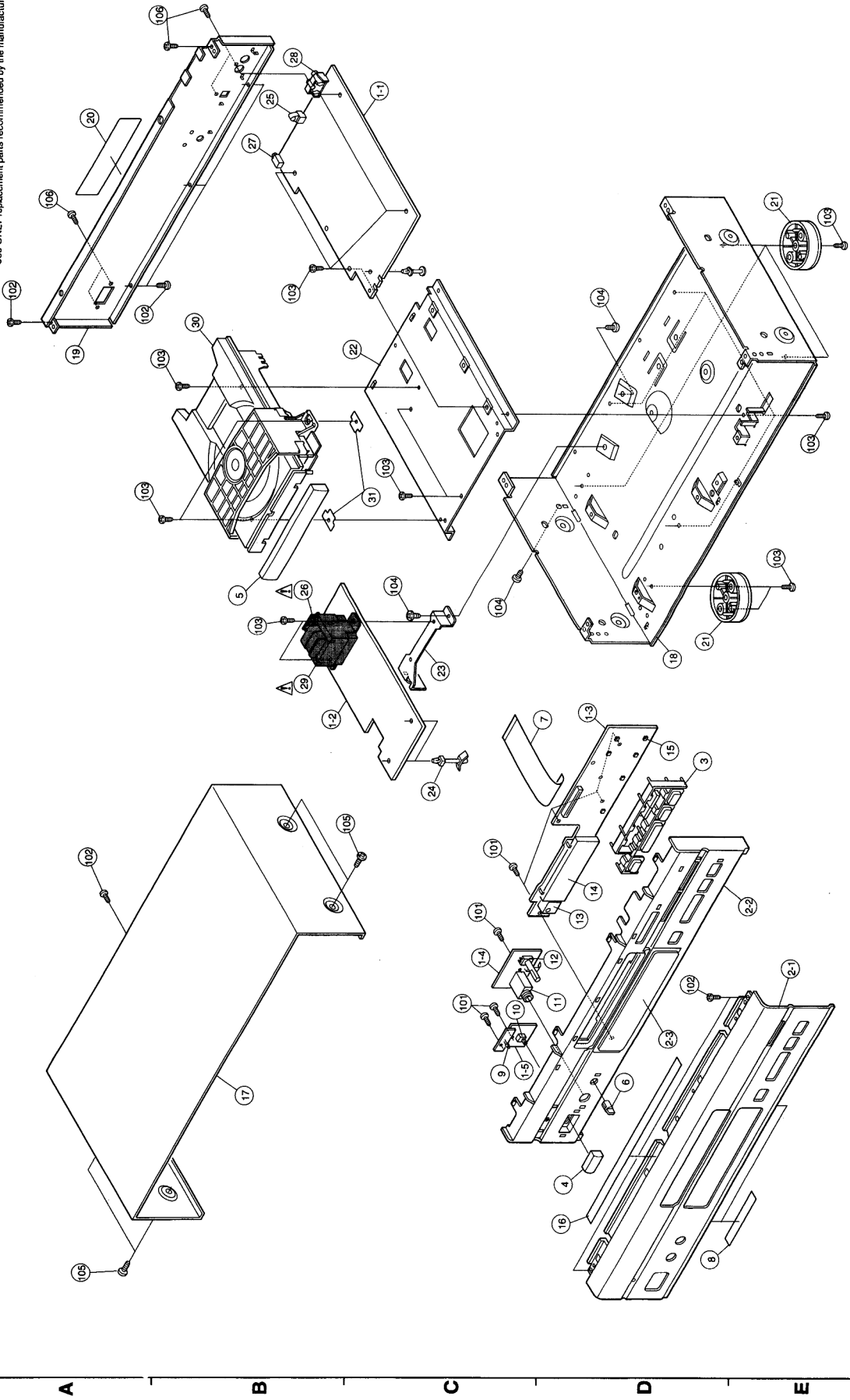


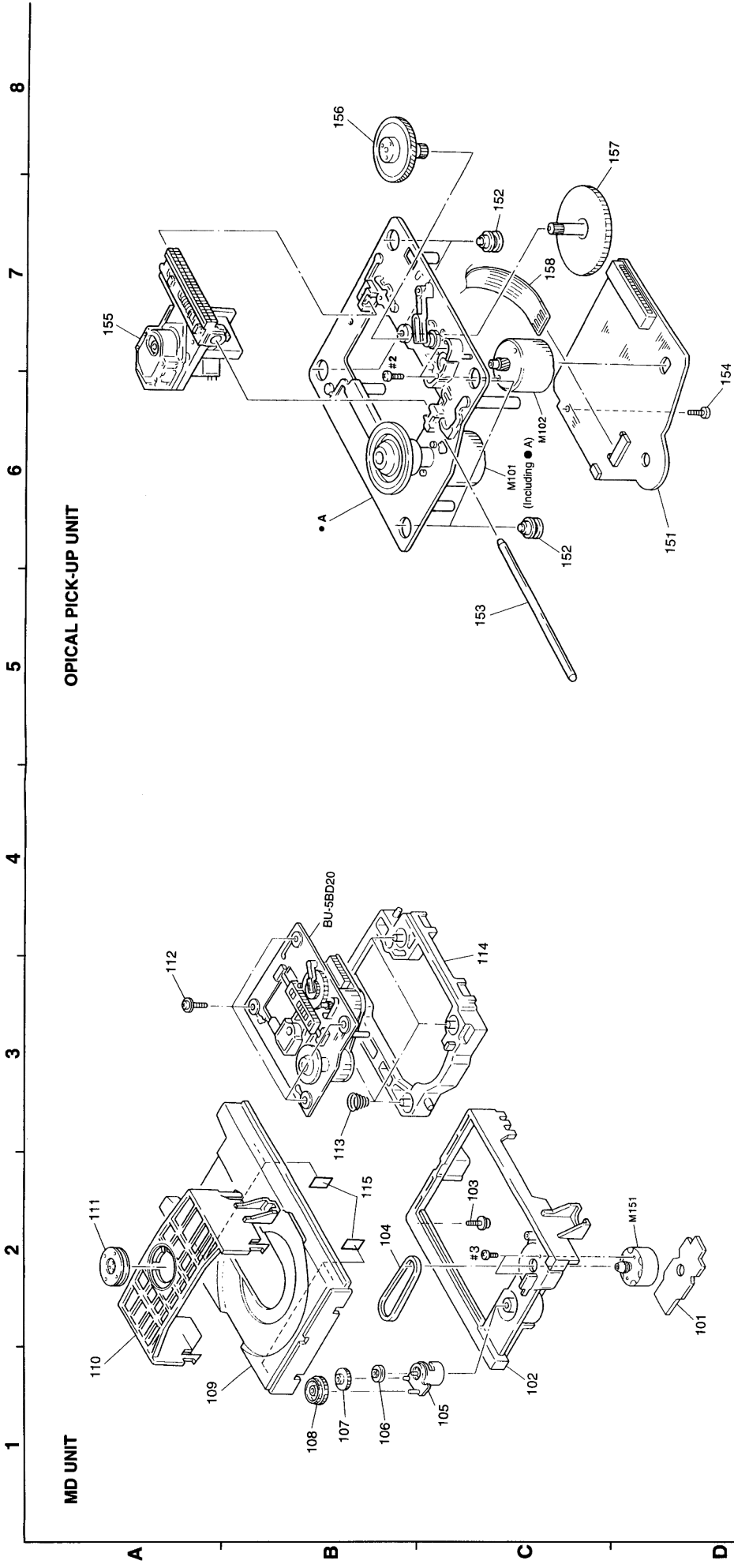
EXPLODED VIEW OF CHASSIS AND CABINET

1 2 3 4 5 6 7 8

WARNING:
Parts marked with this symbol  have critical characteristics.
Use ONLY replacement parts recommended by the manufacturer.



EXPLODED VIEW OF CD MECHANISM UNIT



PARTS LIST OF CD MECHANISM UNIT

Ref. No.	Part No.	Part Name	Remarks
51	S16 4572 111	Loading P.W.B. Assy	See Page 26
52	S49 3311 101	Chassis (MD)	
53	S49 1758 321	Yoke Bracket	
54	S49 2764 901	Belt	
55	S49 3310 901	Cam	
56	S49 2765 101	Pulley (S)	
57	S49 6726 801	Gear (C)	
58	S49 3310 701	Gear (PL)	
59	S49 3311 201	Disc Table	
60	S49 3311 001	Holder (MG)	
61	S44 6606 52A	Magnet	
62	S49 3313 401	Screw	
63	S49 5989 601	Spring (932)	
64	S49 3312 932	Holder (BU)	
65	S49 2531 531	Damper	
M151	S44 6606 92A	Motor (L) Assy	
#1	471 3201 024	Screw 2.6x4	

PARTS LIST OF OPTICAL PICK-UP UNIT

Ref. No.	Part No.	Part Name	Remarks
101	S44 6735 094	P.W.B. Assy	See Page 26
102	S49 5194 001	Insulator Rubber	
103	S49 1756 501	Sled shaft	
105	S88 4837 831	Optical PU KSS213BA/F-NP	
106	S49 1756 721	Gear (M)	
107	S49 1756 401	Gear (P)	
108	S17 6906 911	Flat Cable	
M101	SX4 9175 233	Motor (Spindle) Assy	
M102	SX4 9175 041	Motor (Sled) Assy	
109	S49 5162 001	Screw	
#2	471 1810 019	Screw 2x3	