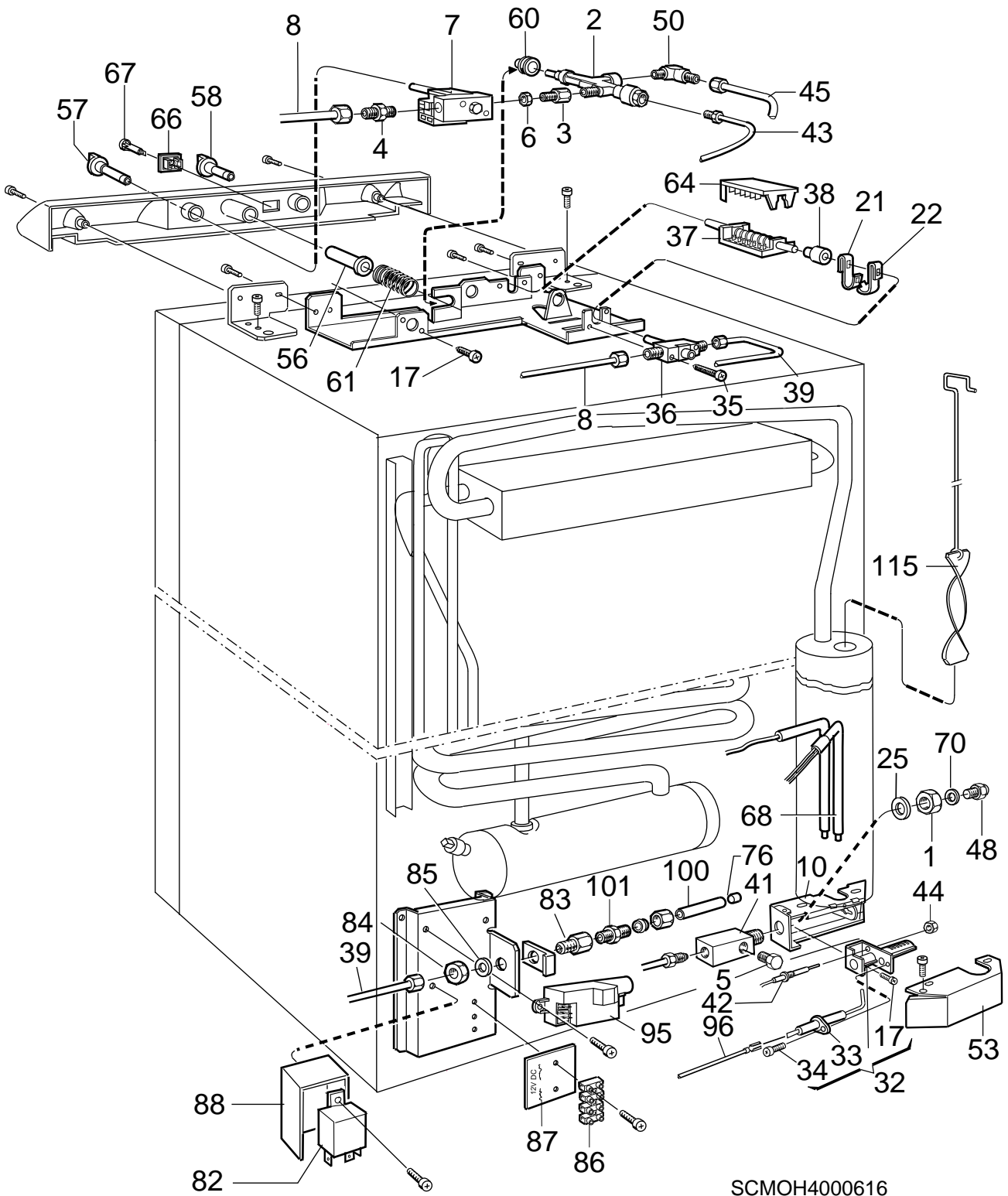
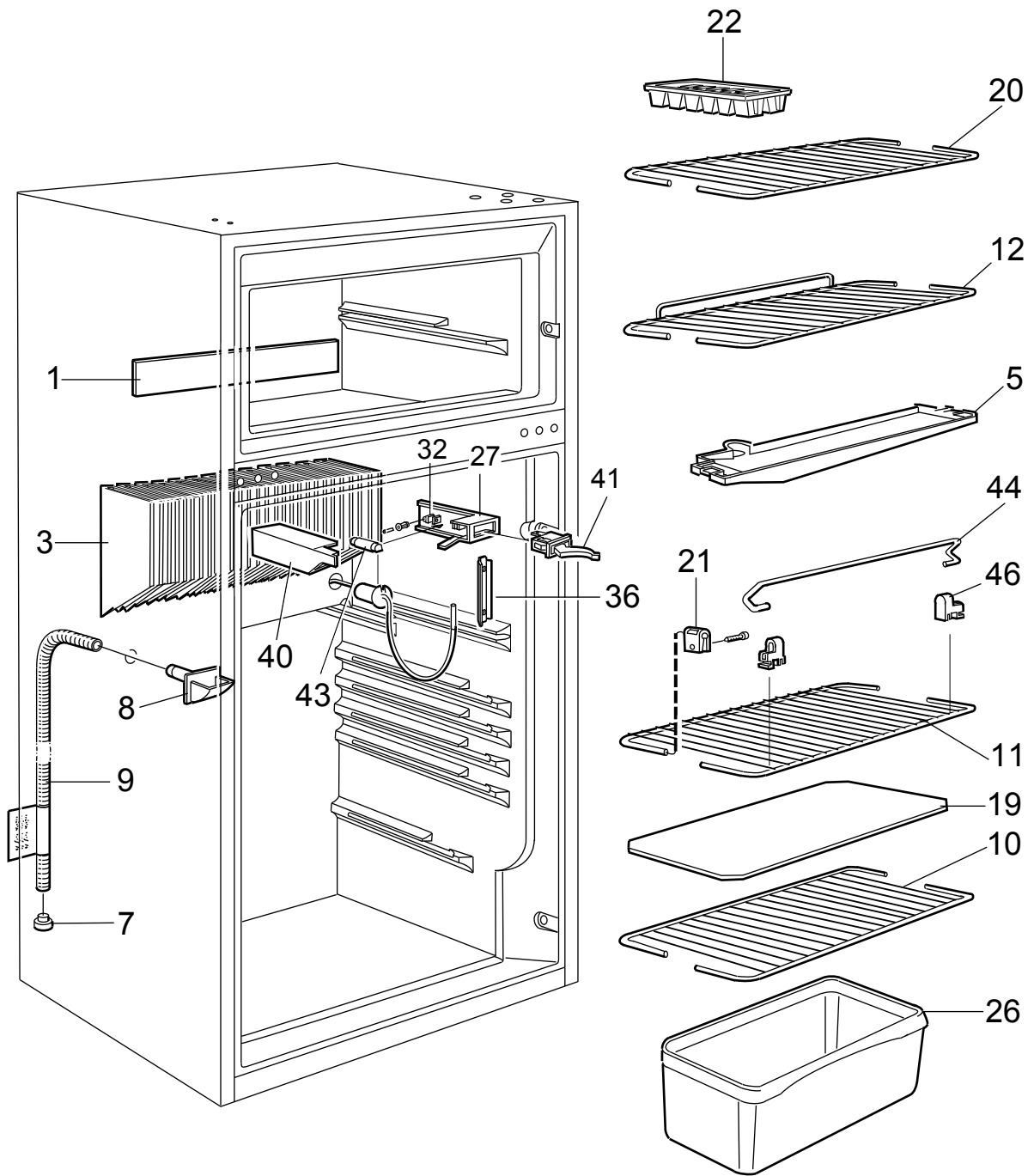


C2A03647



SCMOH4000616



NCMOD2039583

