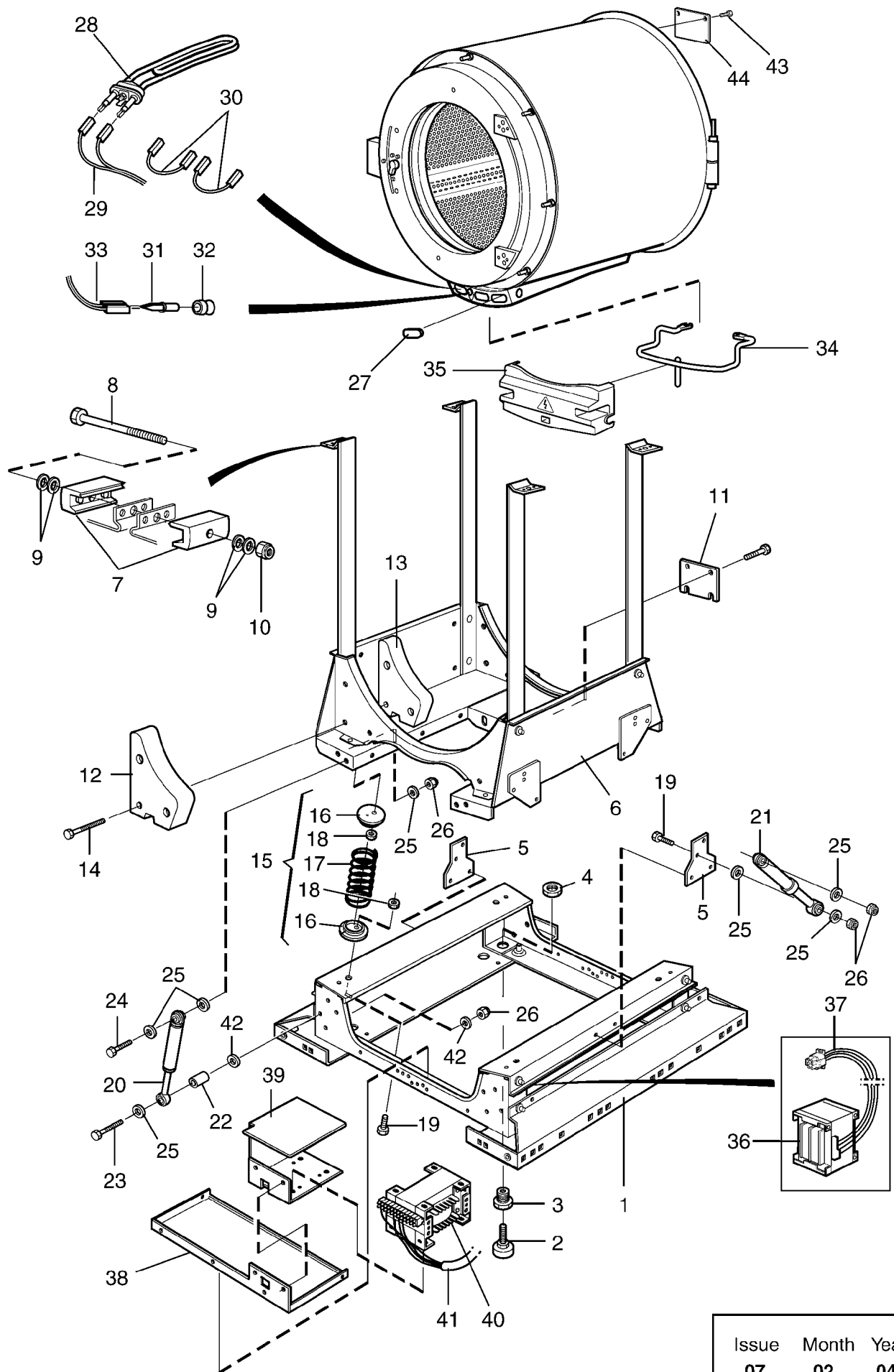


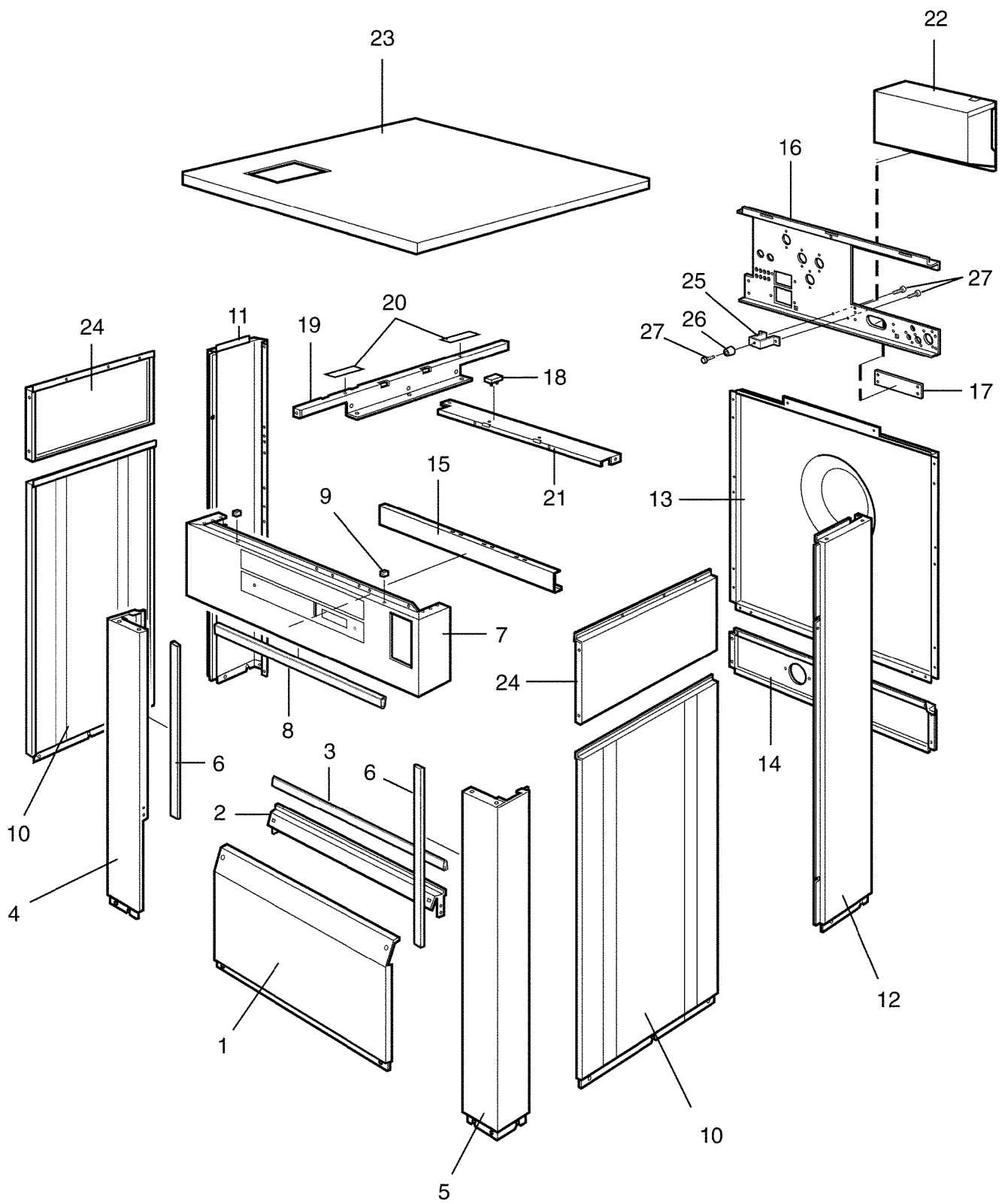
W3130H, FAS3130H

Washer extractor

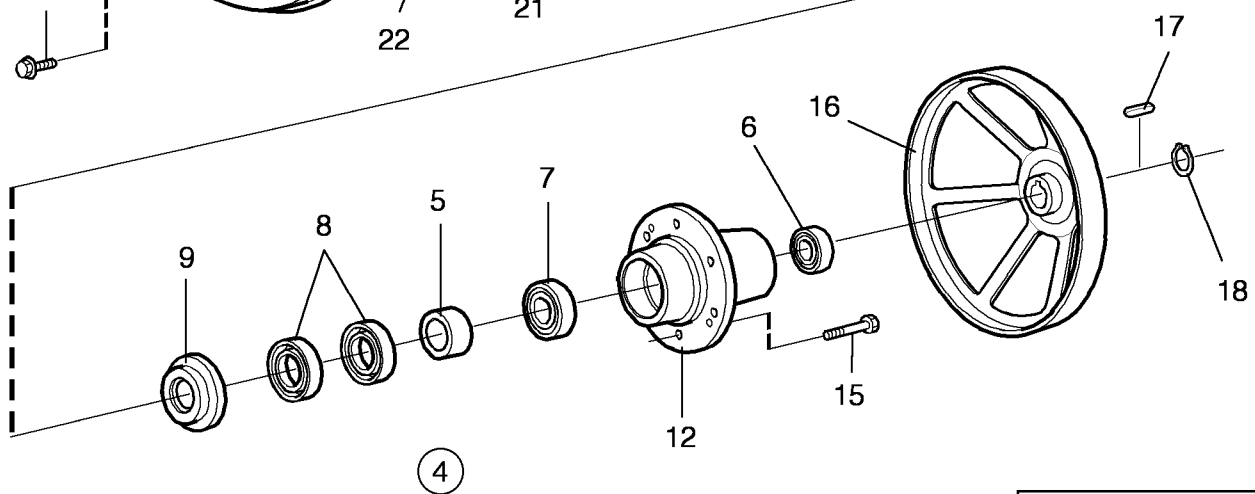
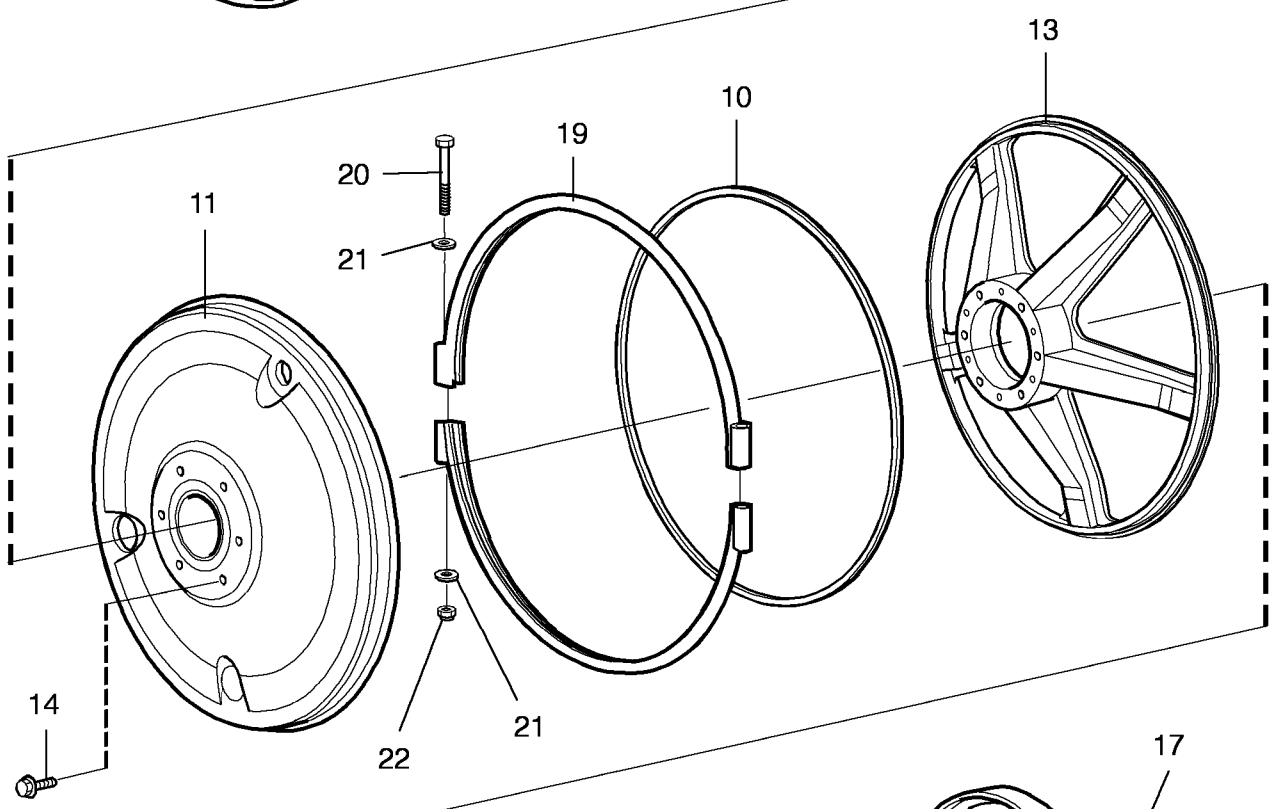
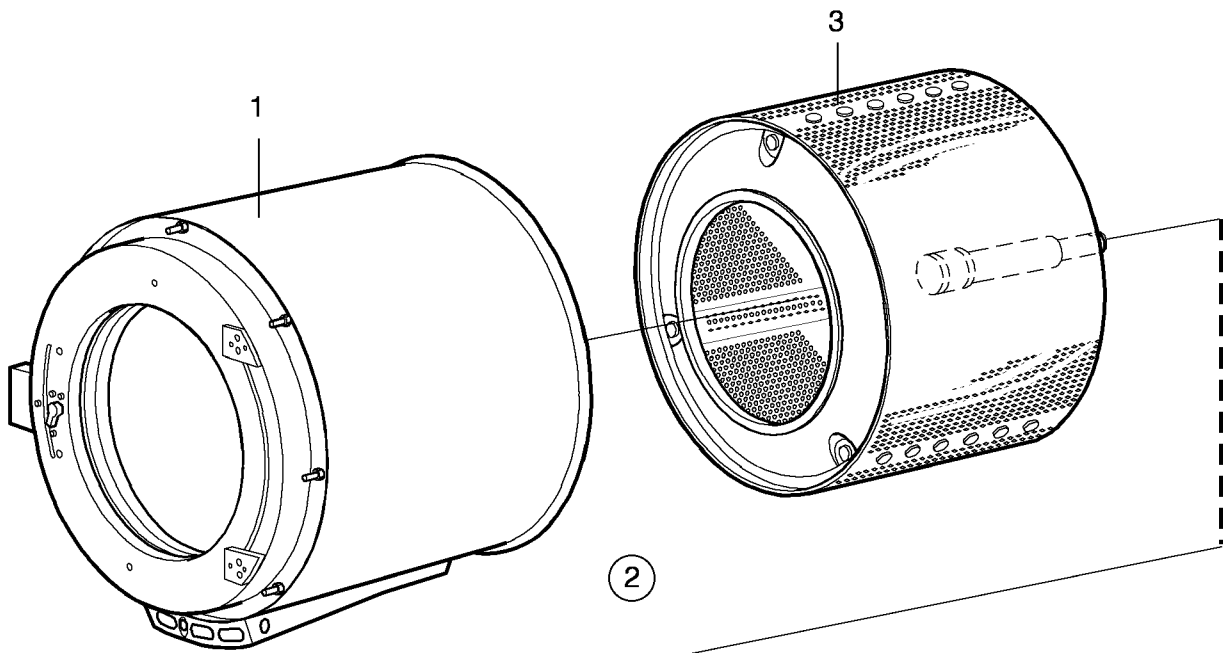
Tvättmaskin



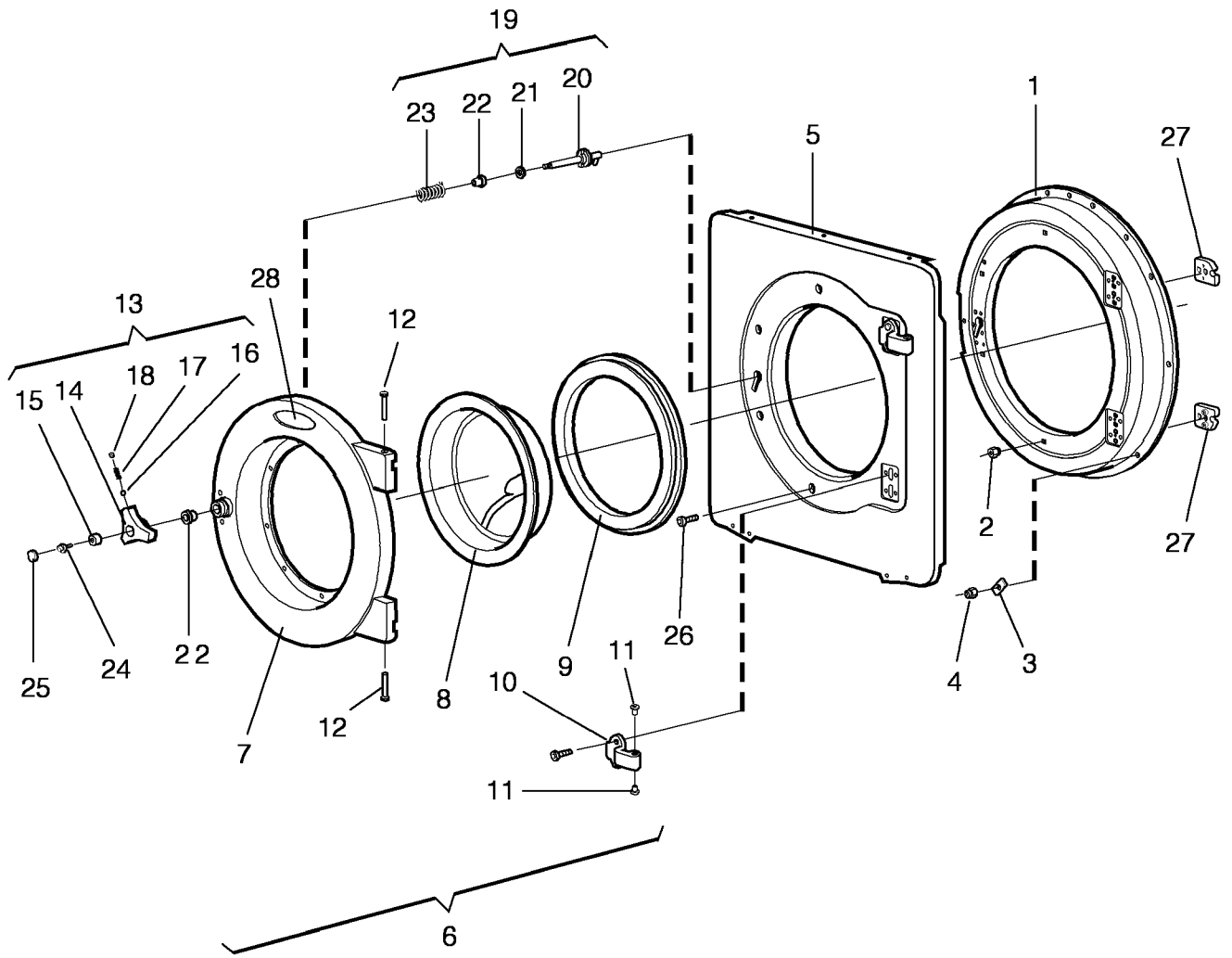
Issue	Month	Year
07	02	04



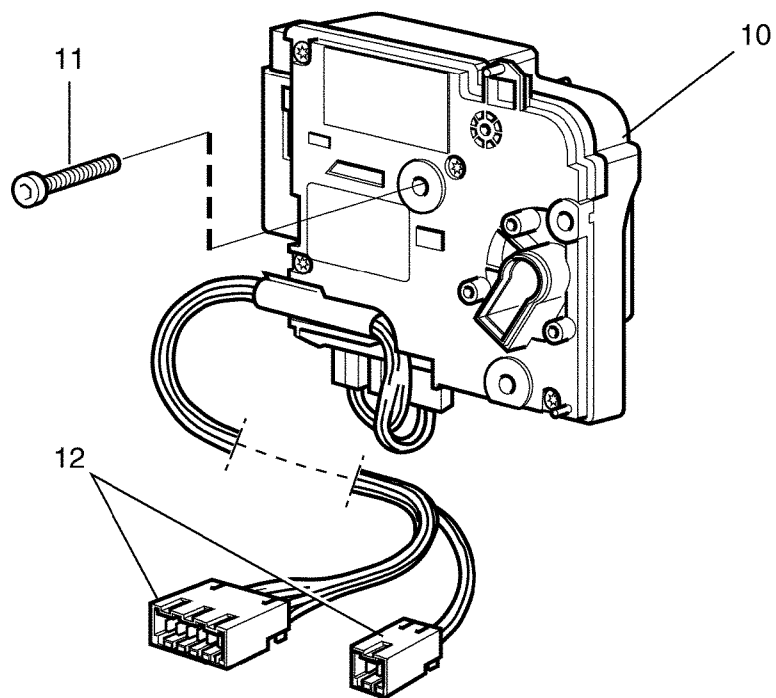
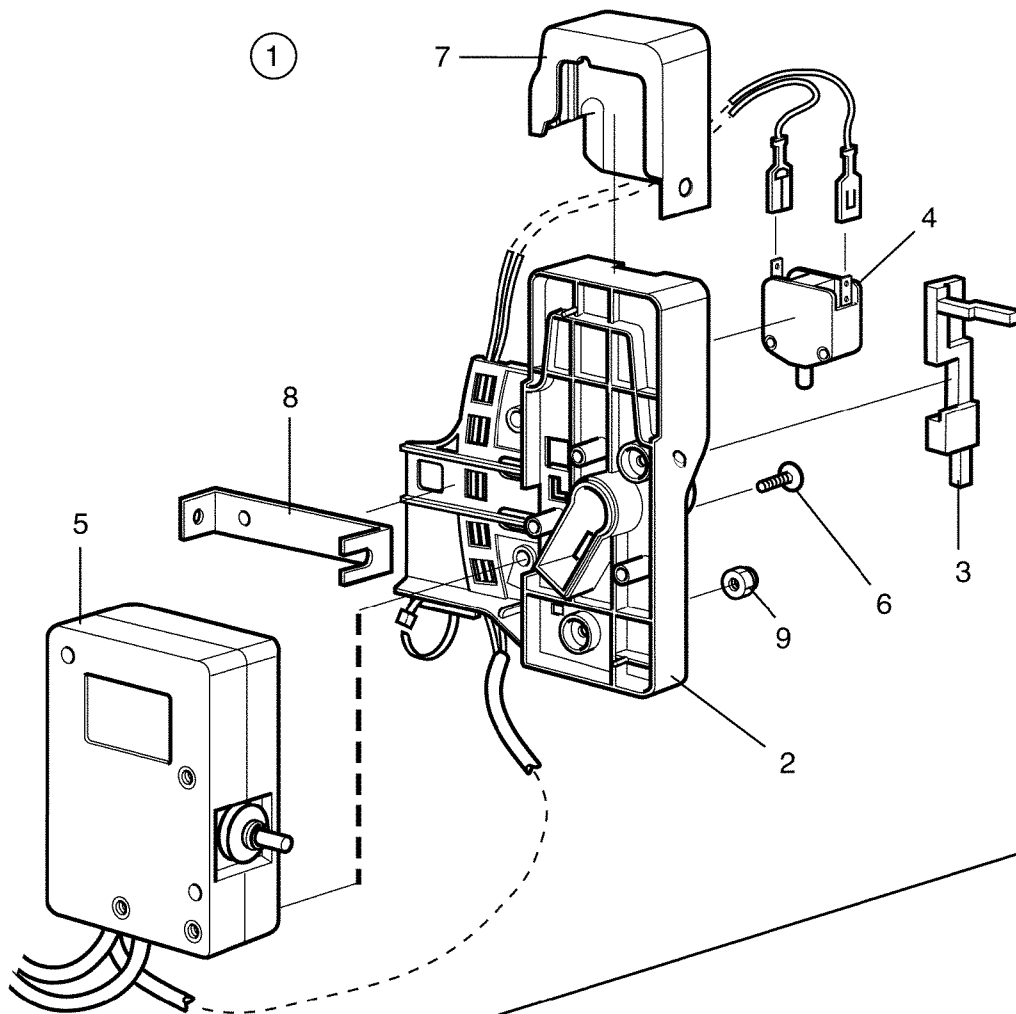
Issue	Month	Year
03	04	03



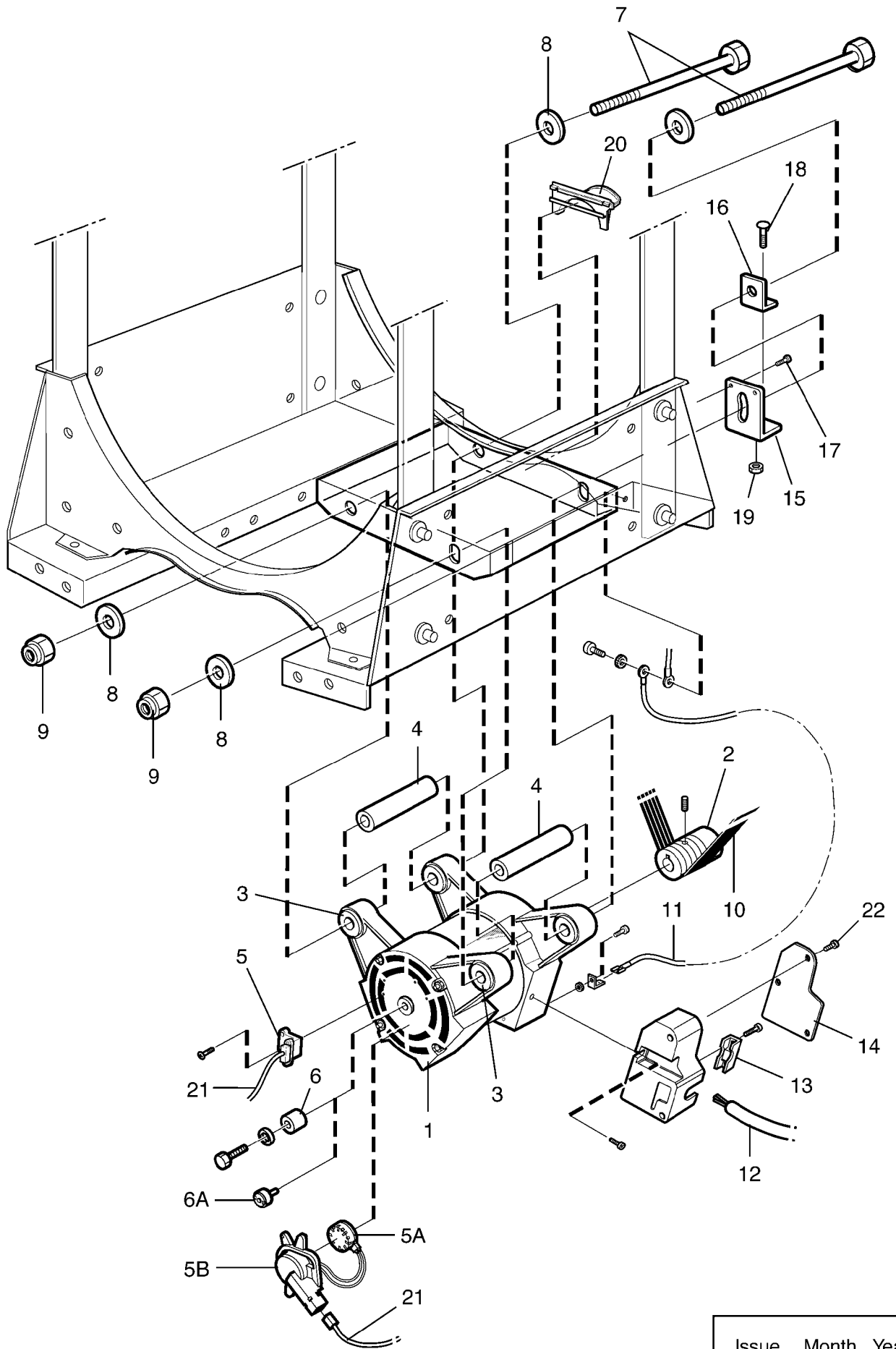
Issue	Month	Year
04	12	01



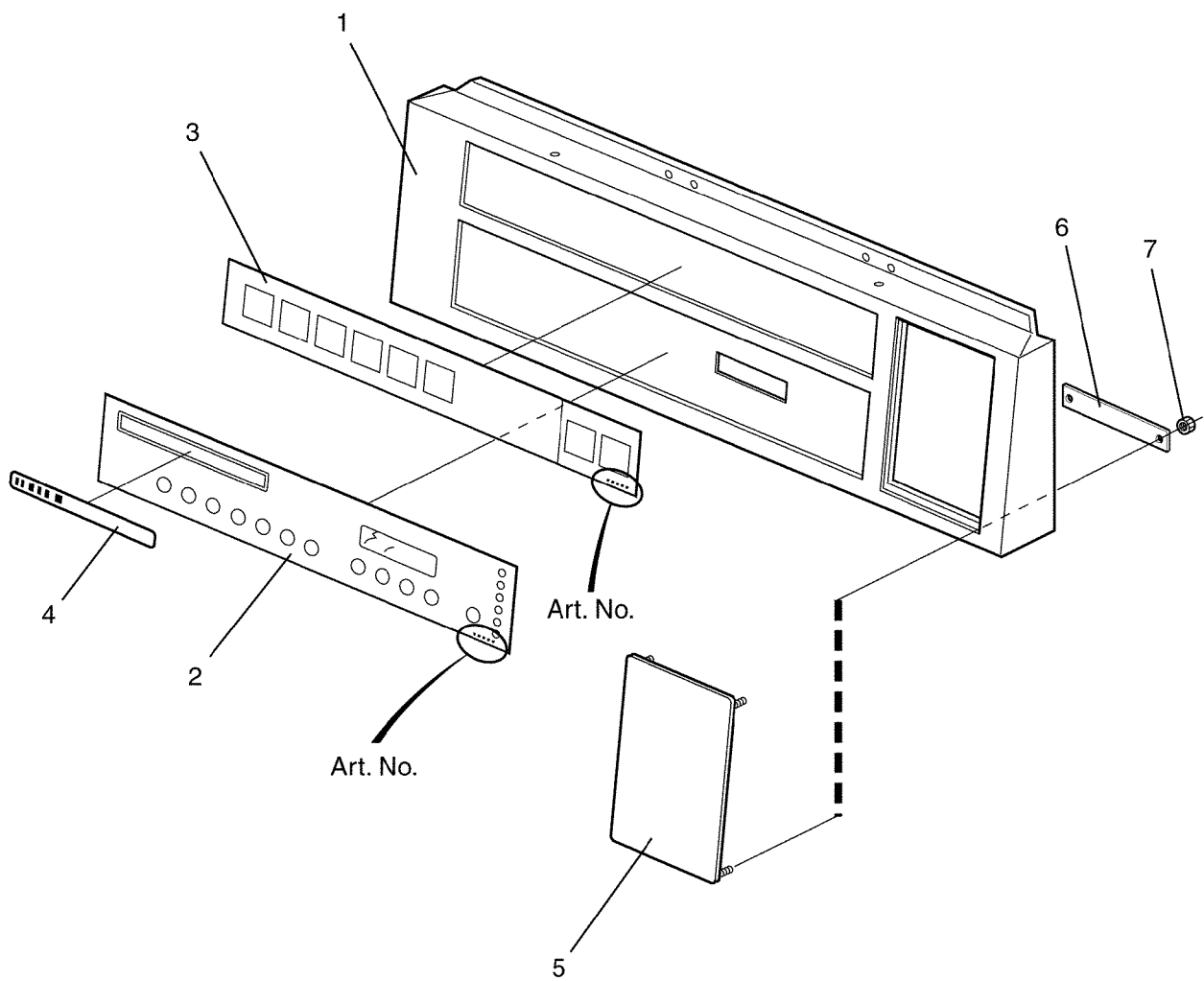
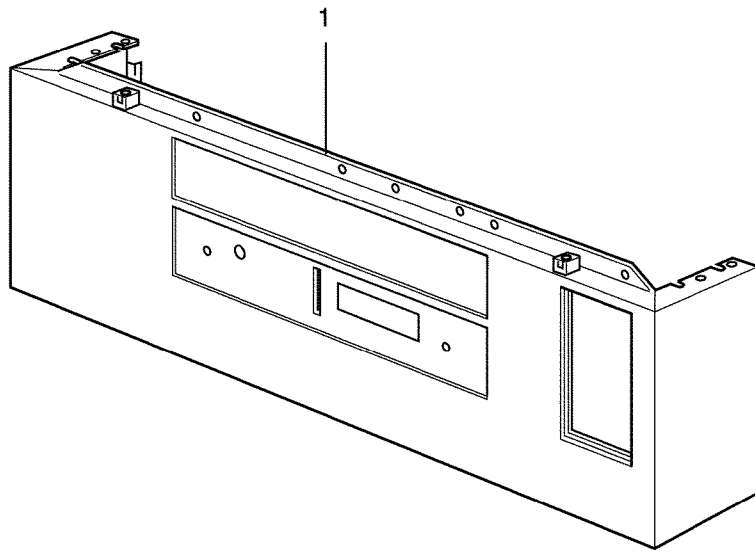
Issue	Month	Year
01	10	02



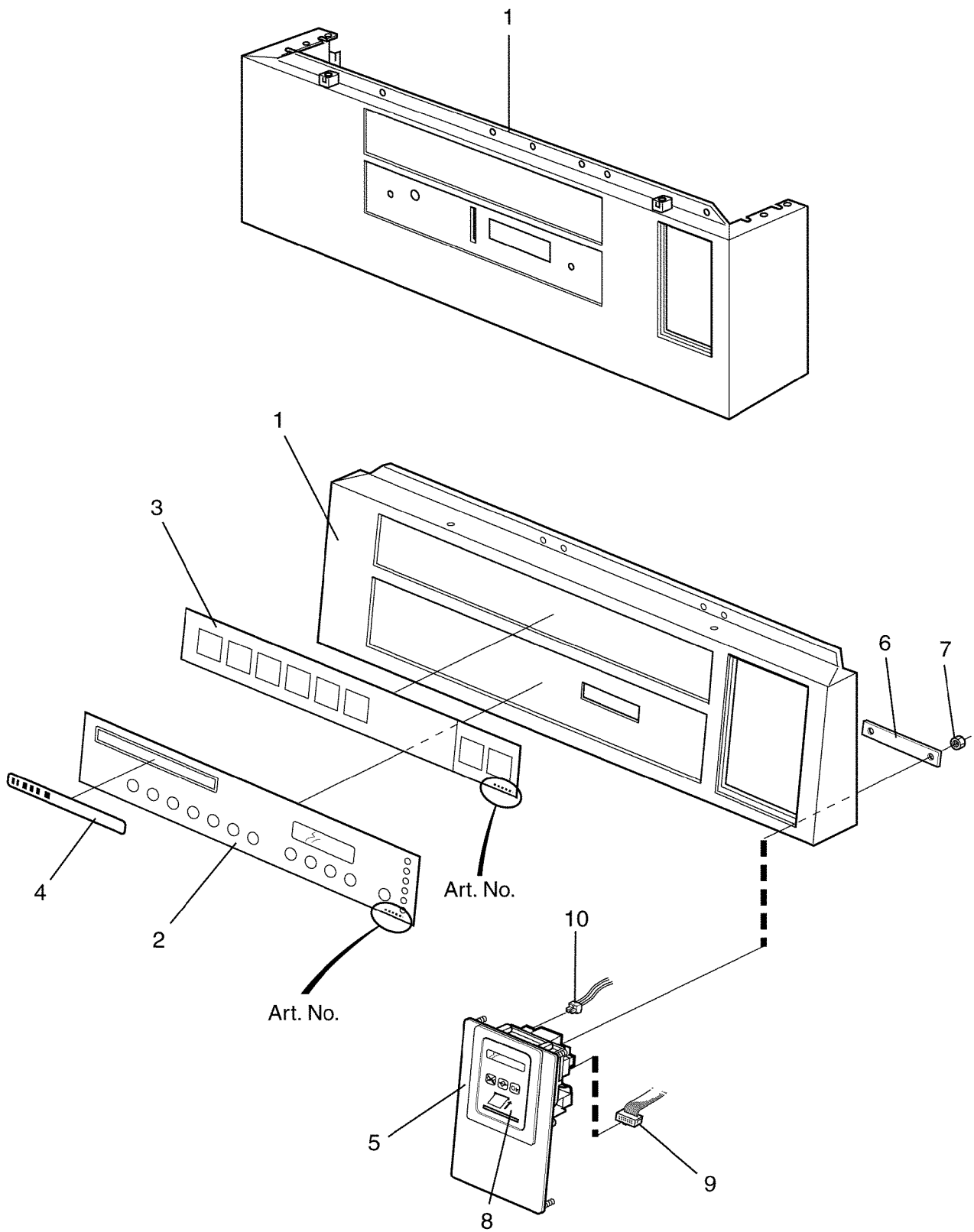
Issue	Month	Year
02	08	03



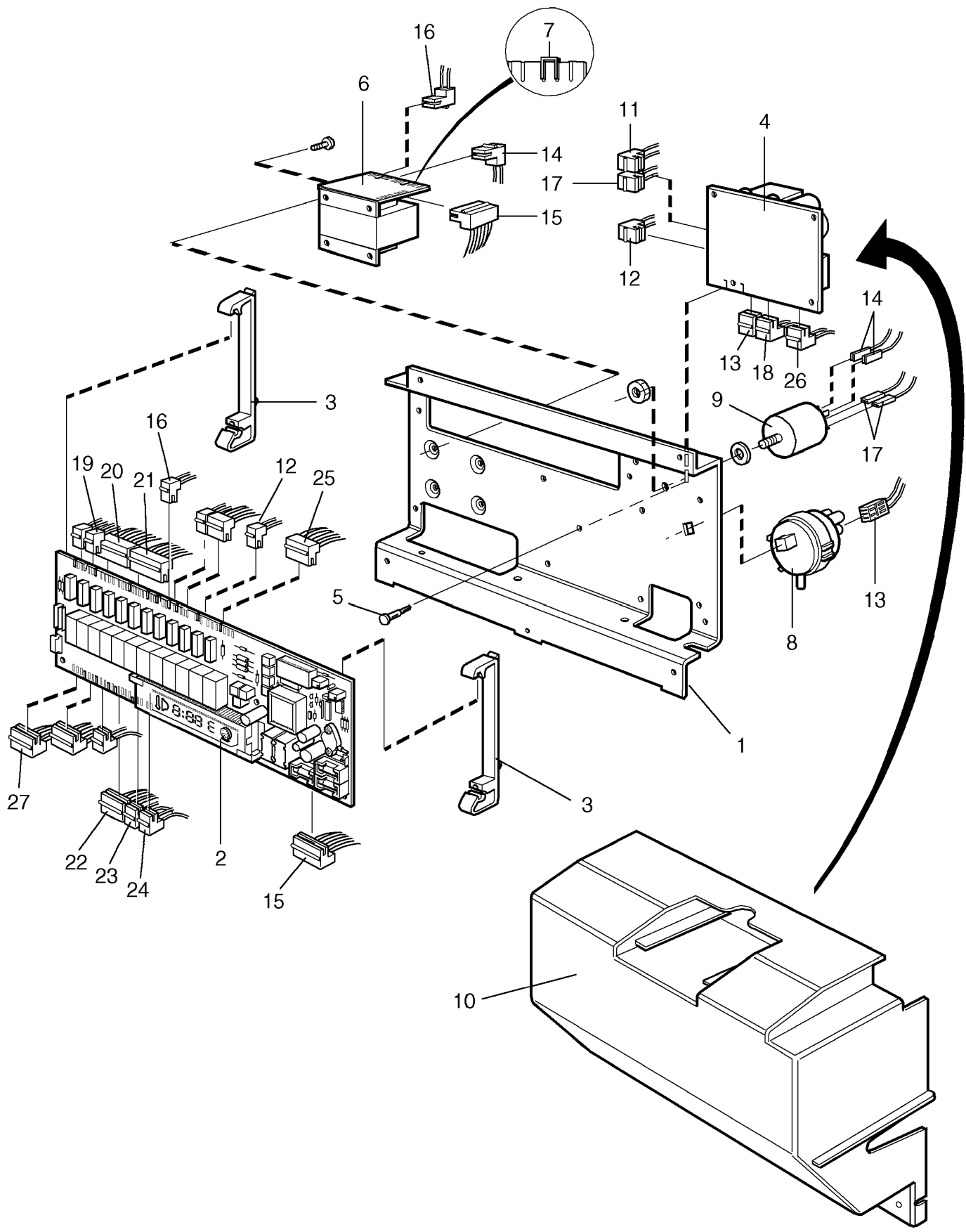
Issue	Month	Year
06	06	04

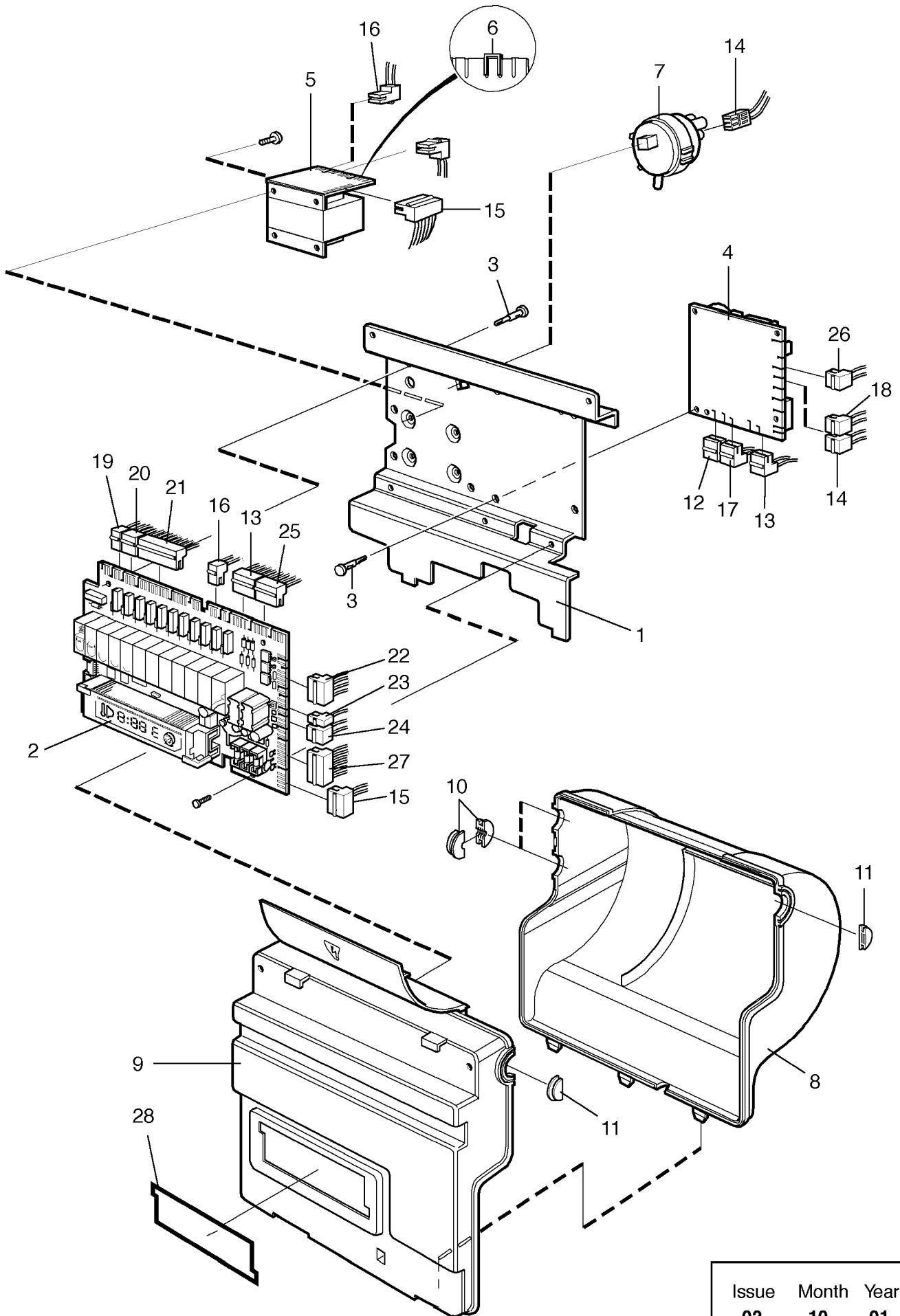


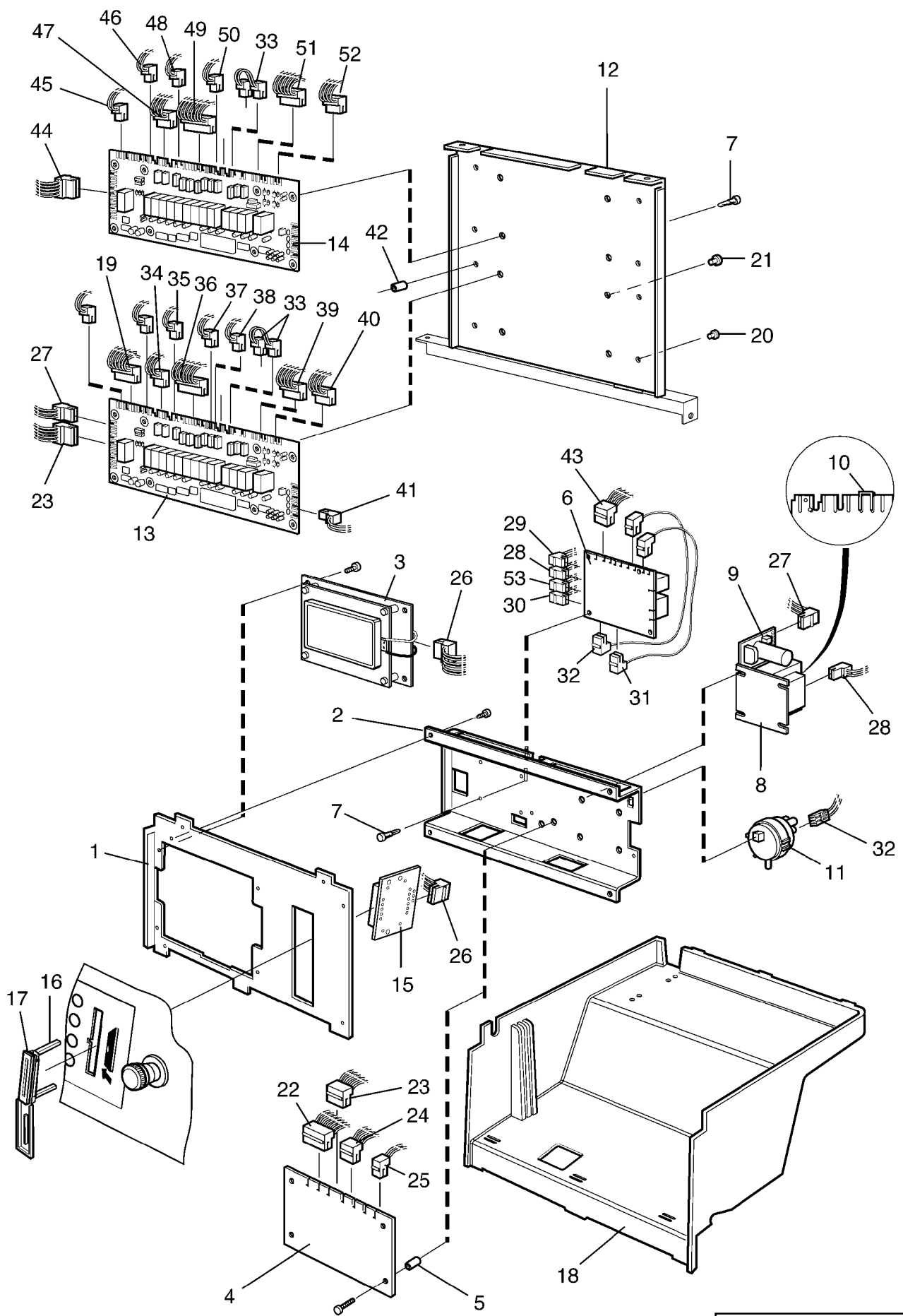
Issue	Month	Year
03	09	03



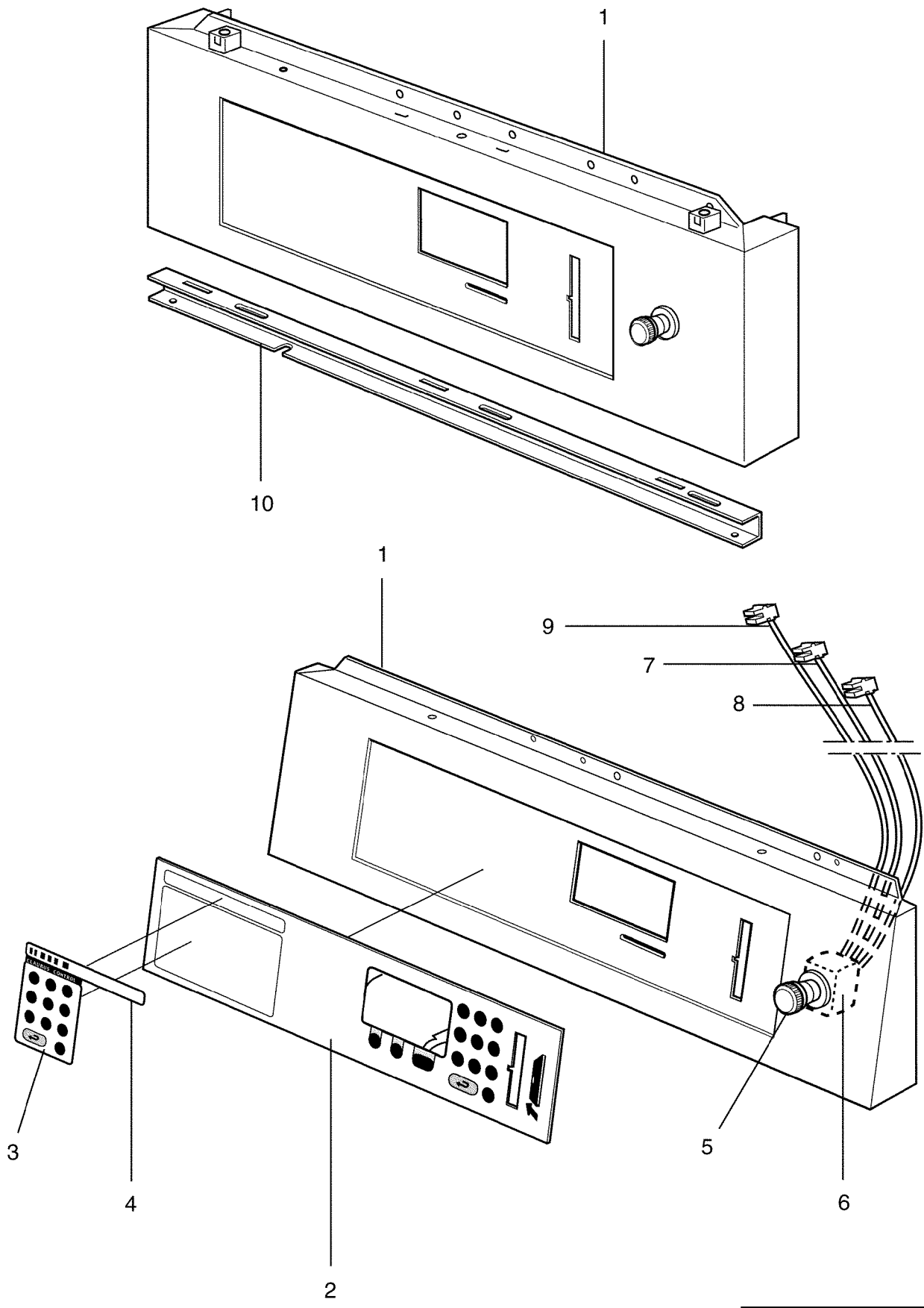
Issue	Month	Year
03	09	03





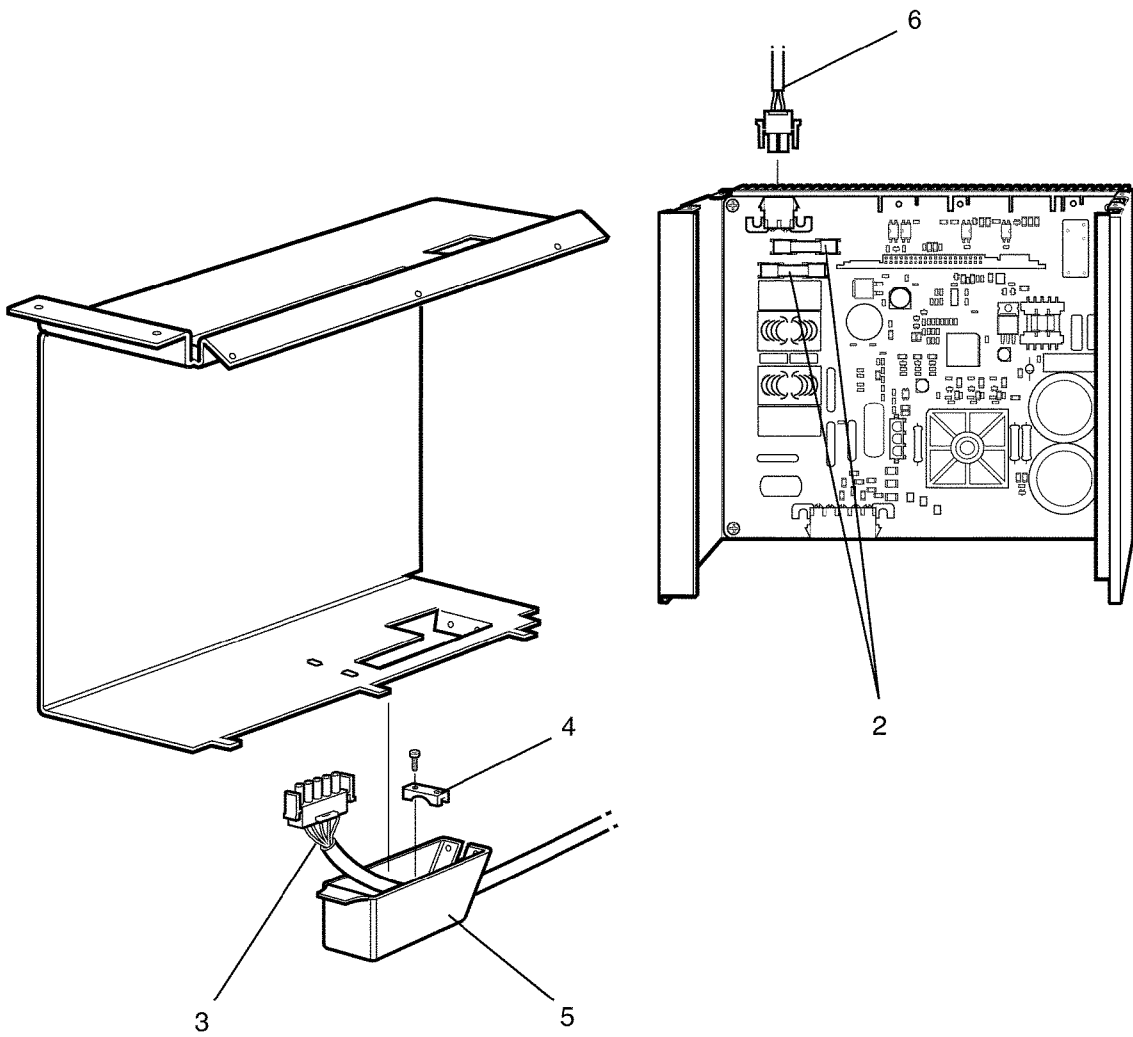


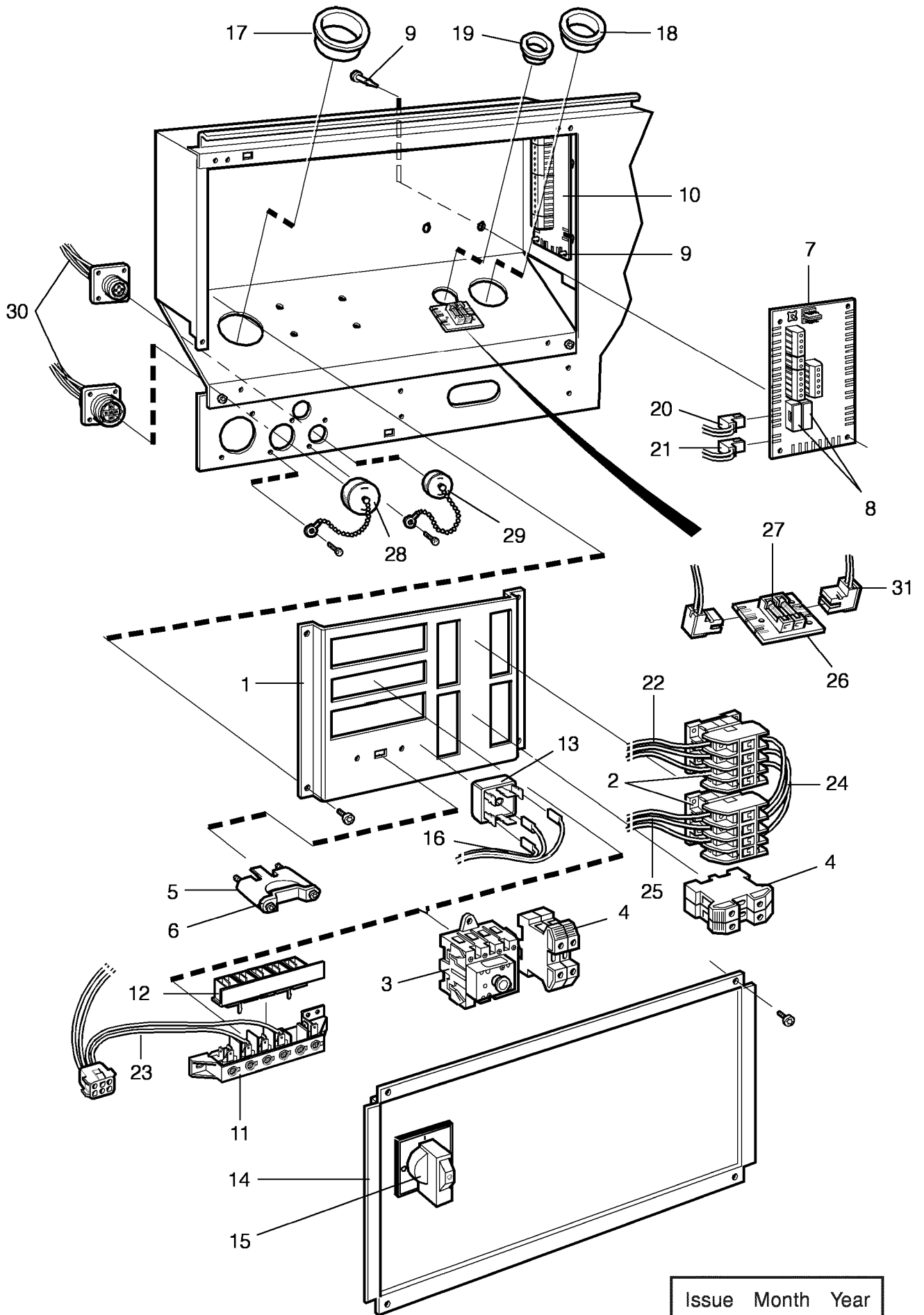
Issue	Month	Year
04	12	04



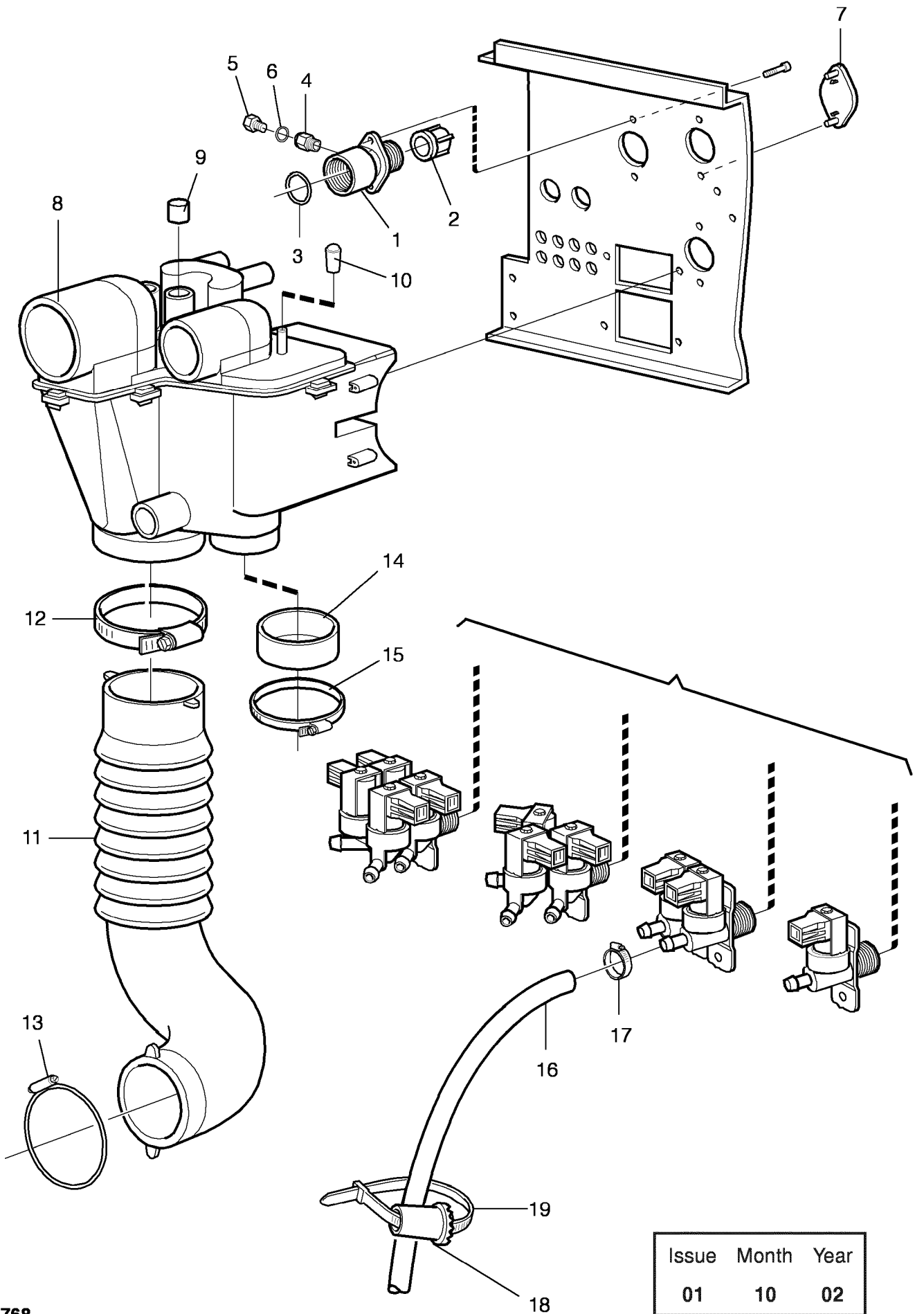
Issue	Month	Year
02	09	03

1



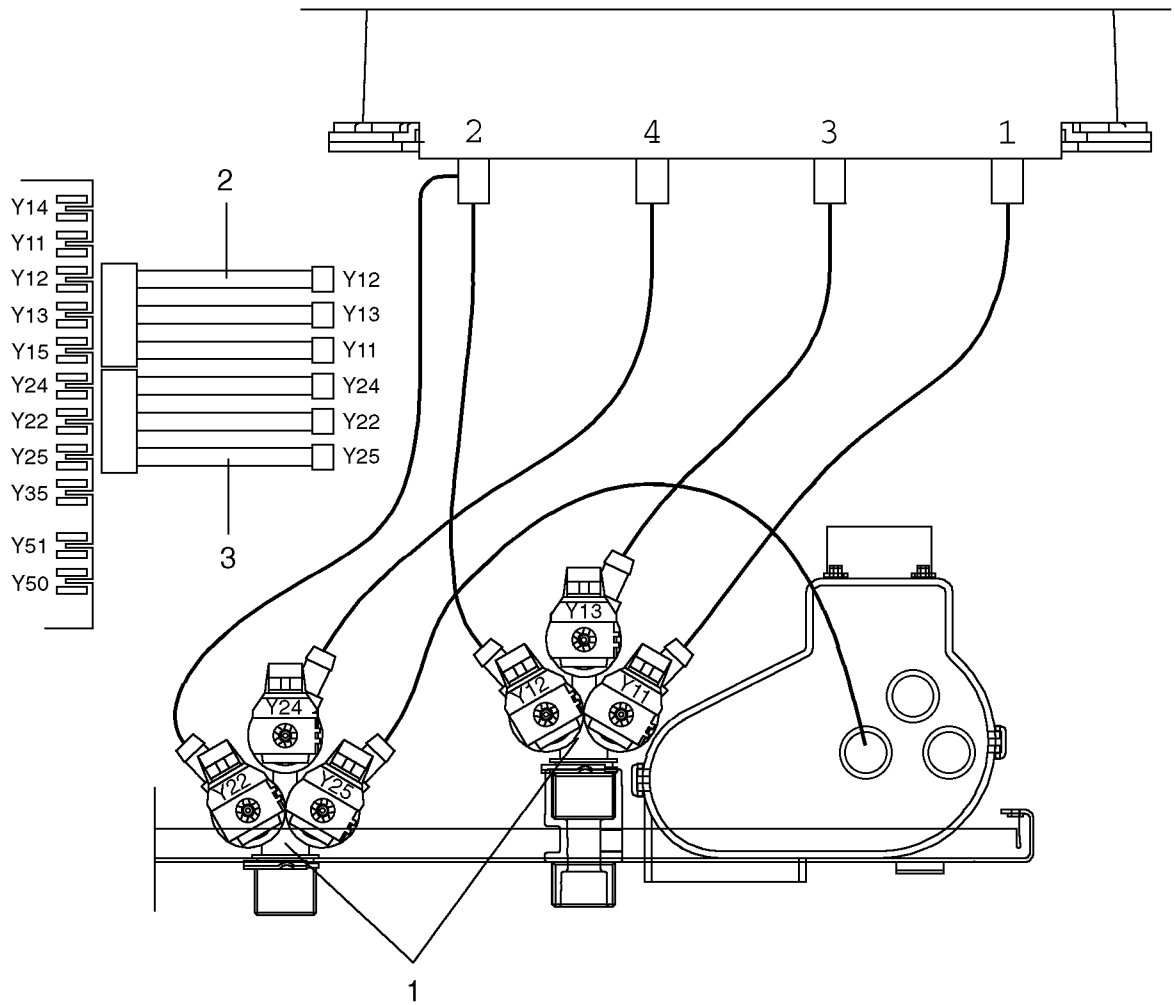


Issue	Month	Year
01	10	02

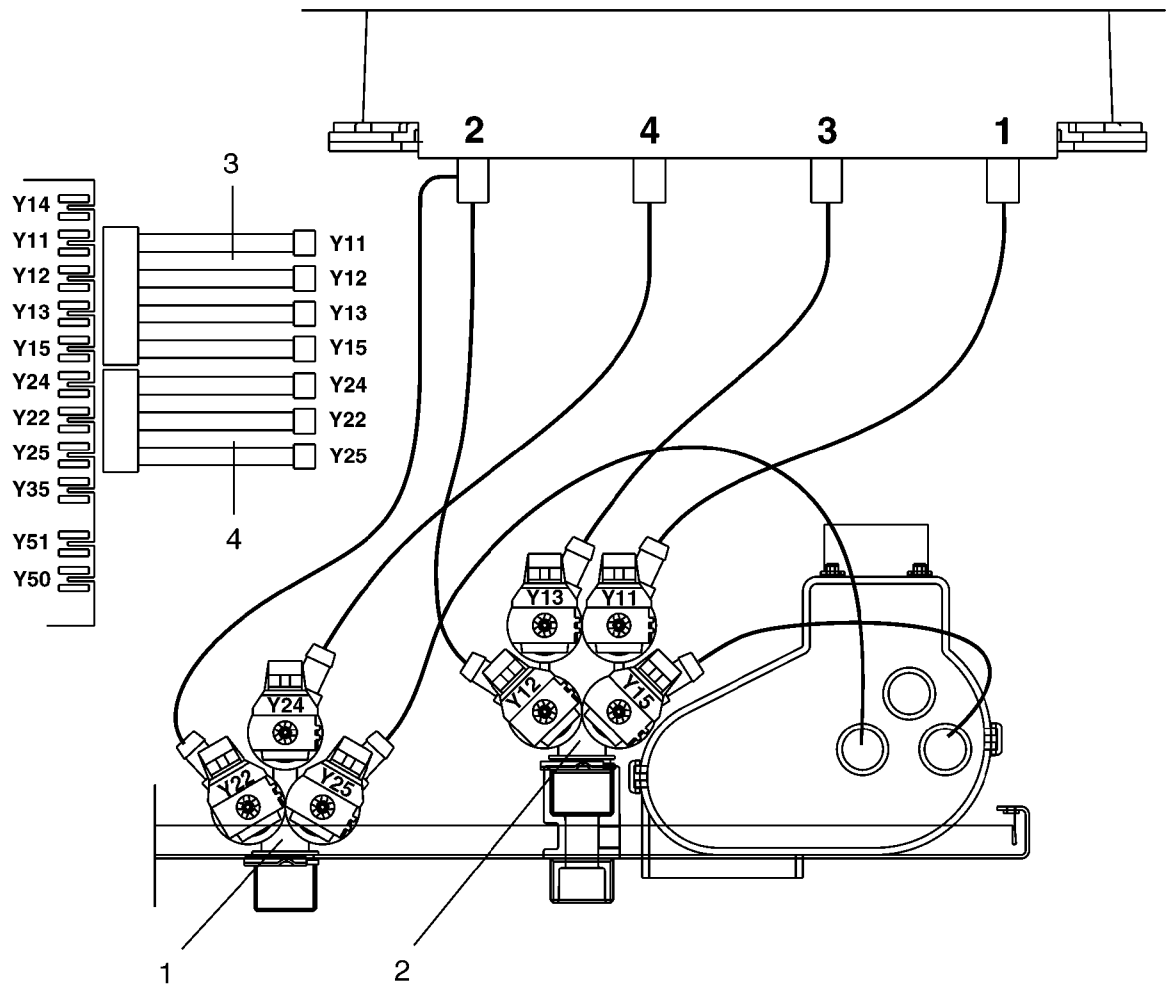


101768

Issue	Month	Year
01	10	02

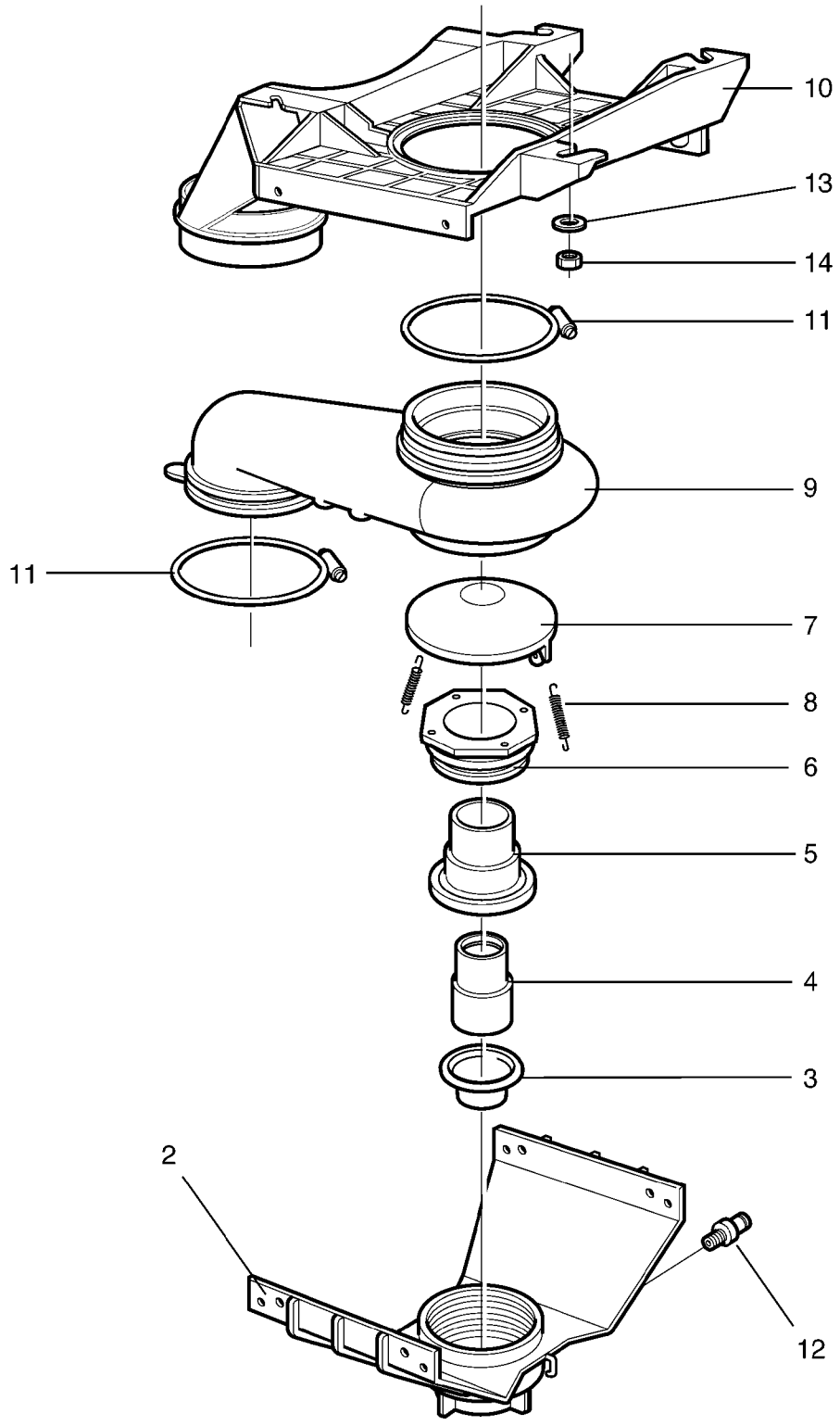


Issue	Month	Year
01	10	02

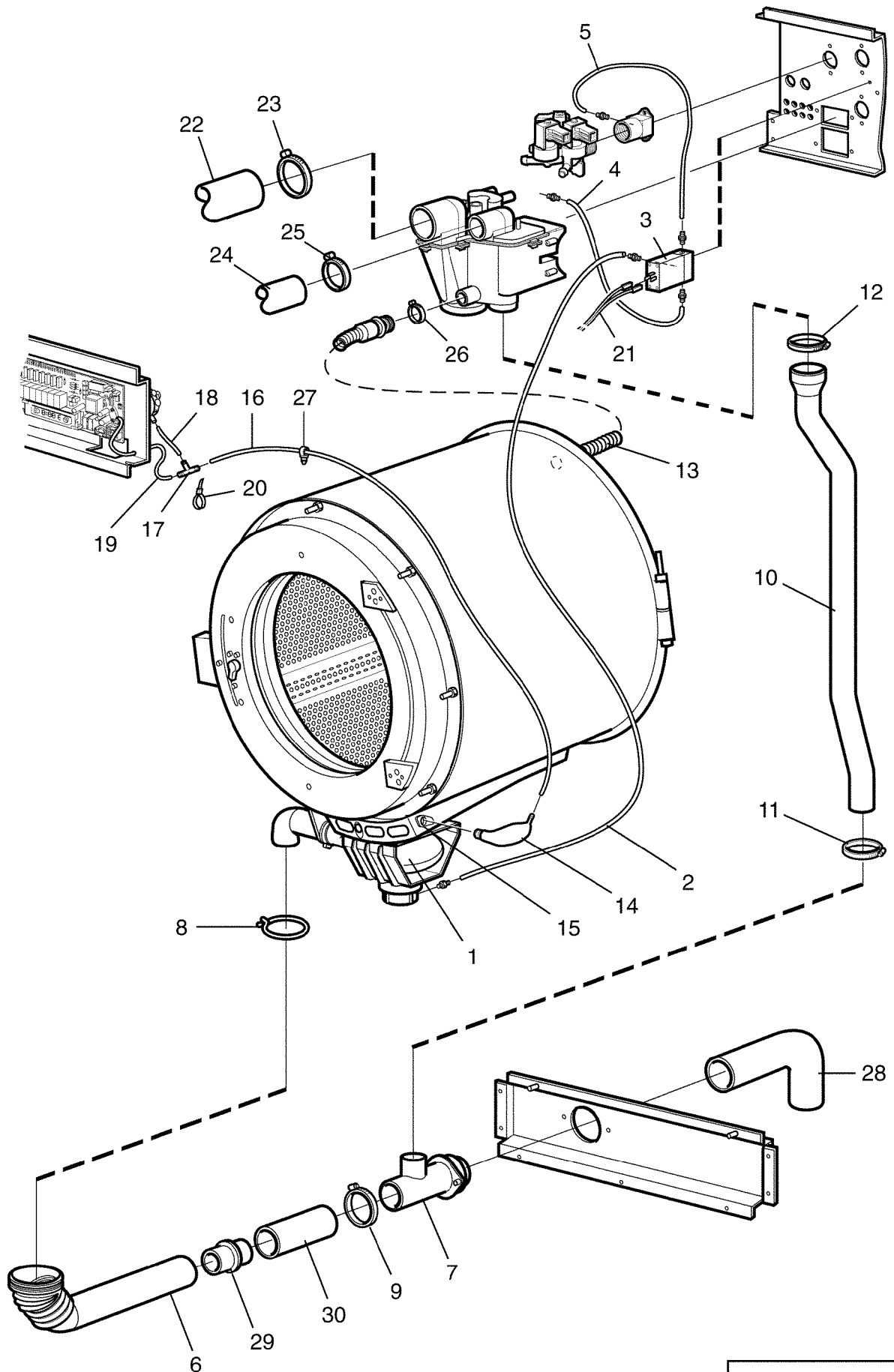


Issue	Month	Year
01	03	05

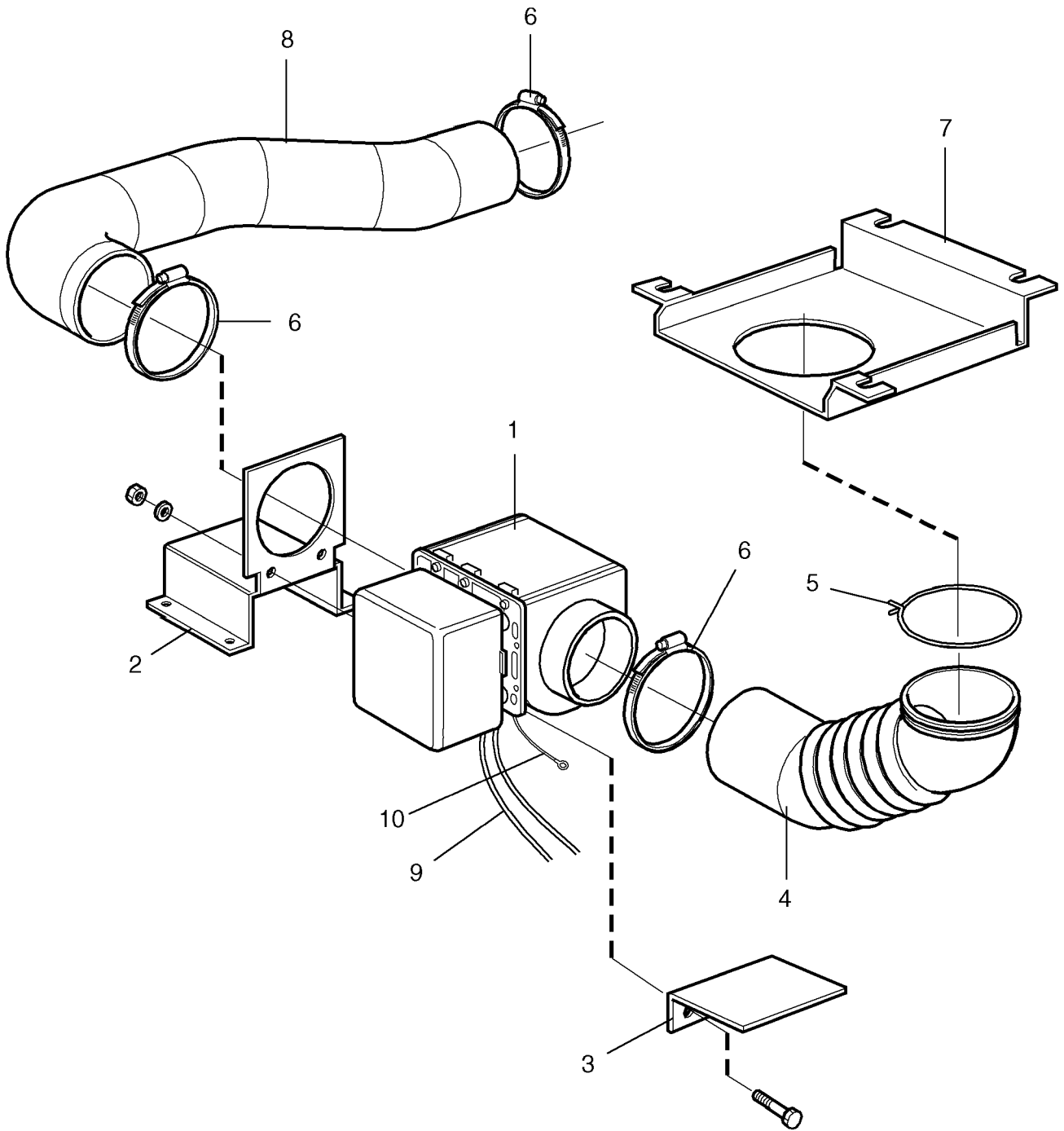
1



Issue	Month	Year
04	03	05

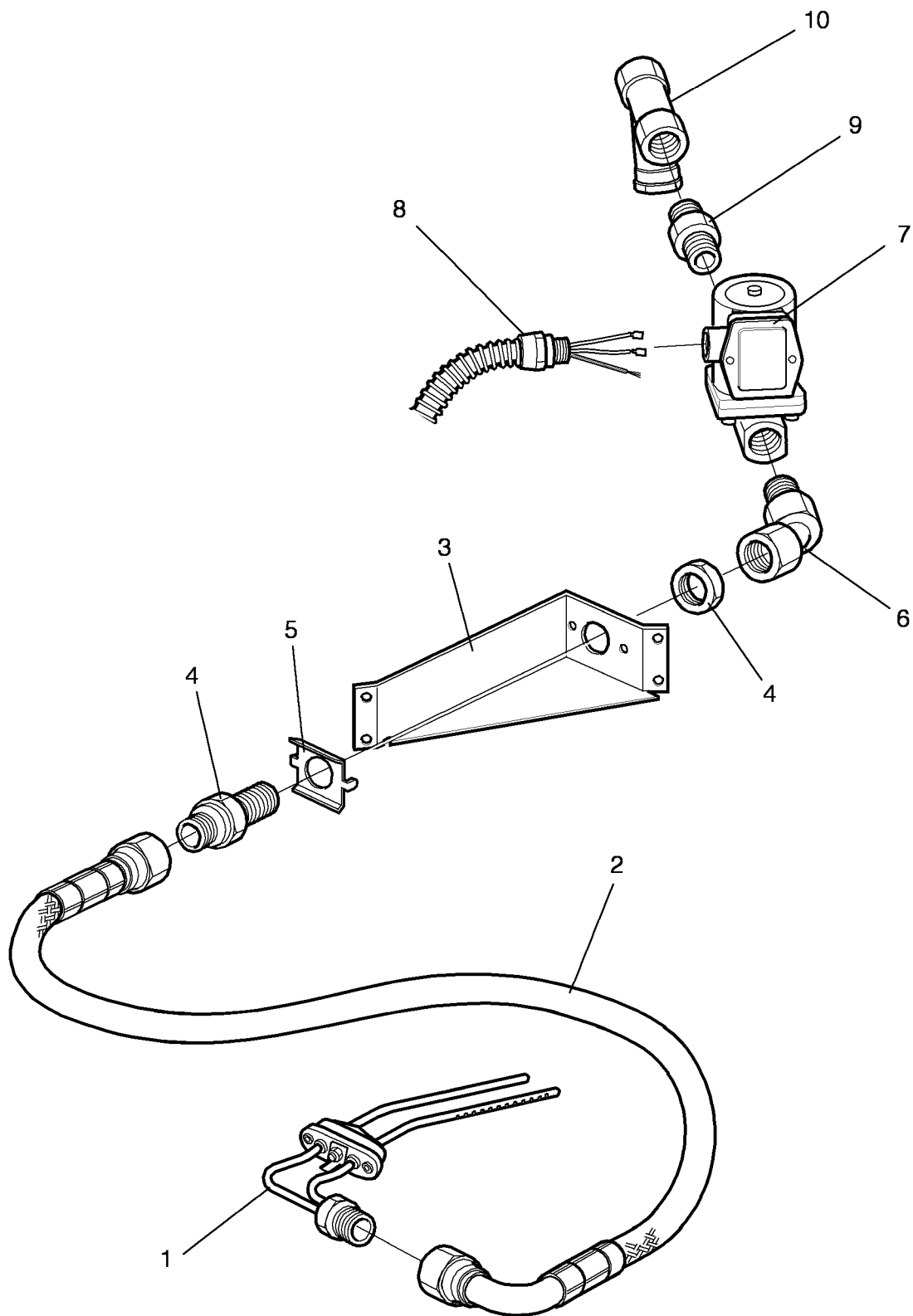


Issue	Month	Year
06	04	03

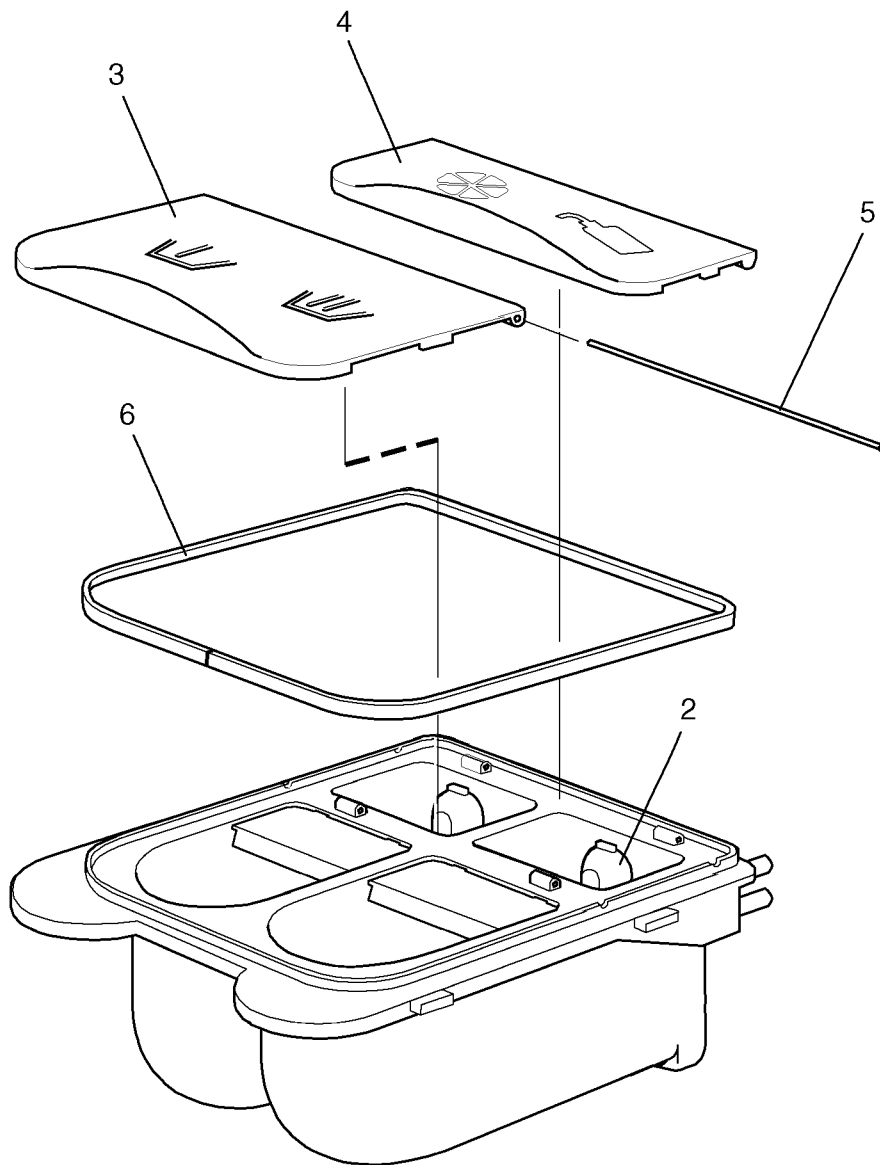


101924

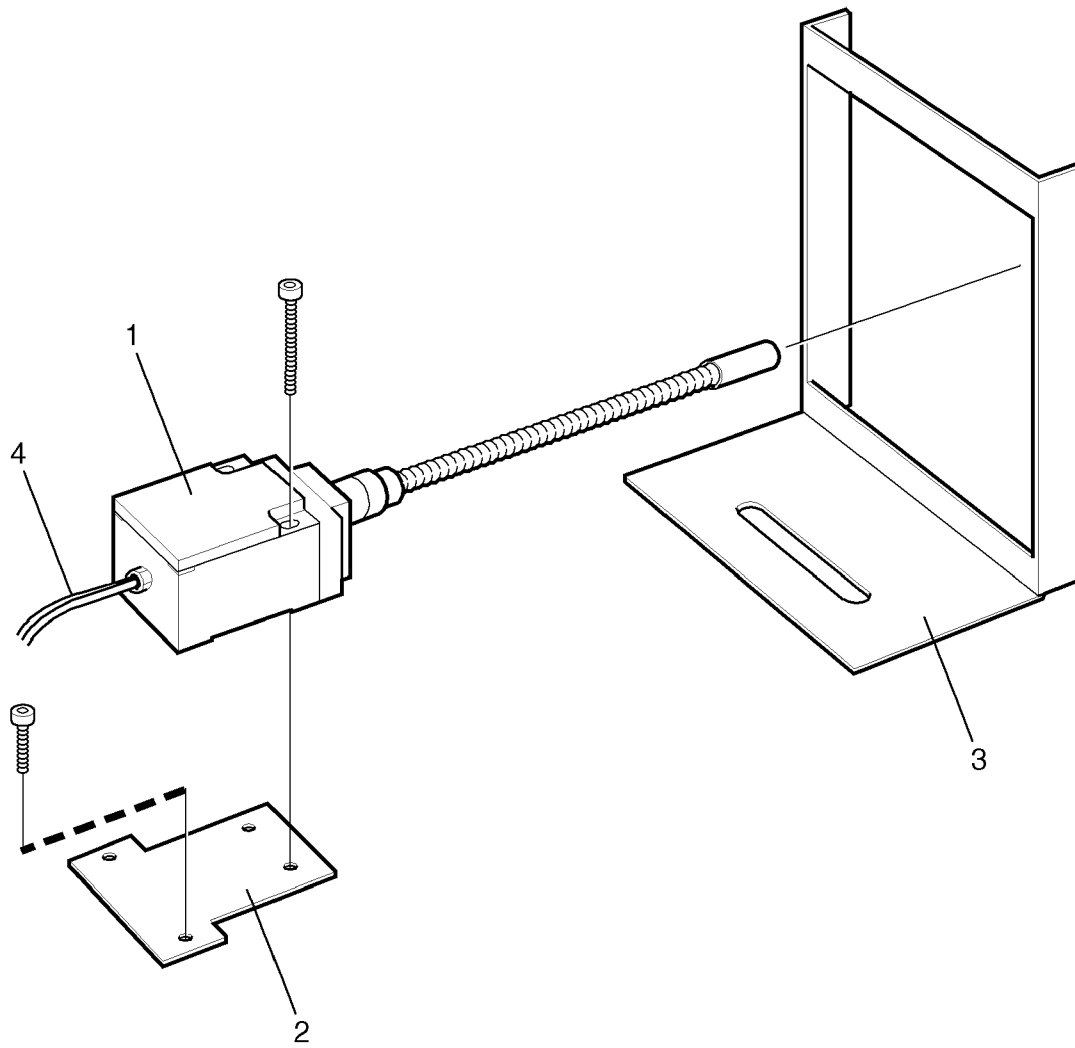
Issue	Month	Year
01	10	02

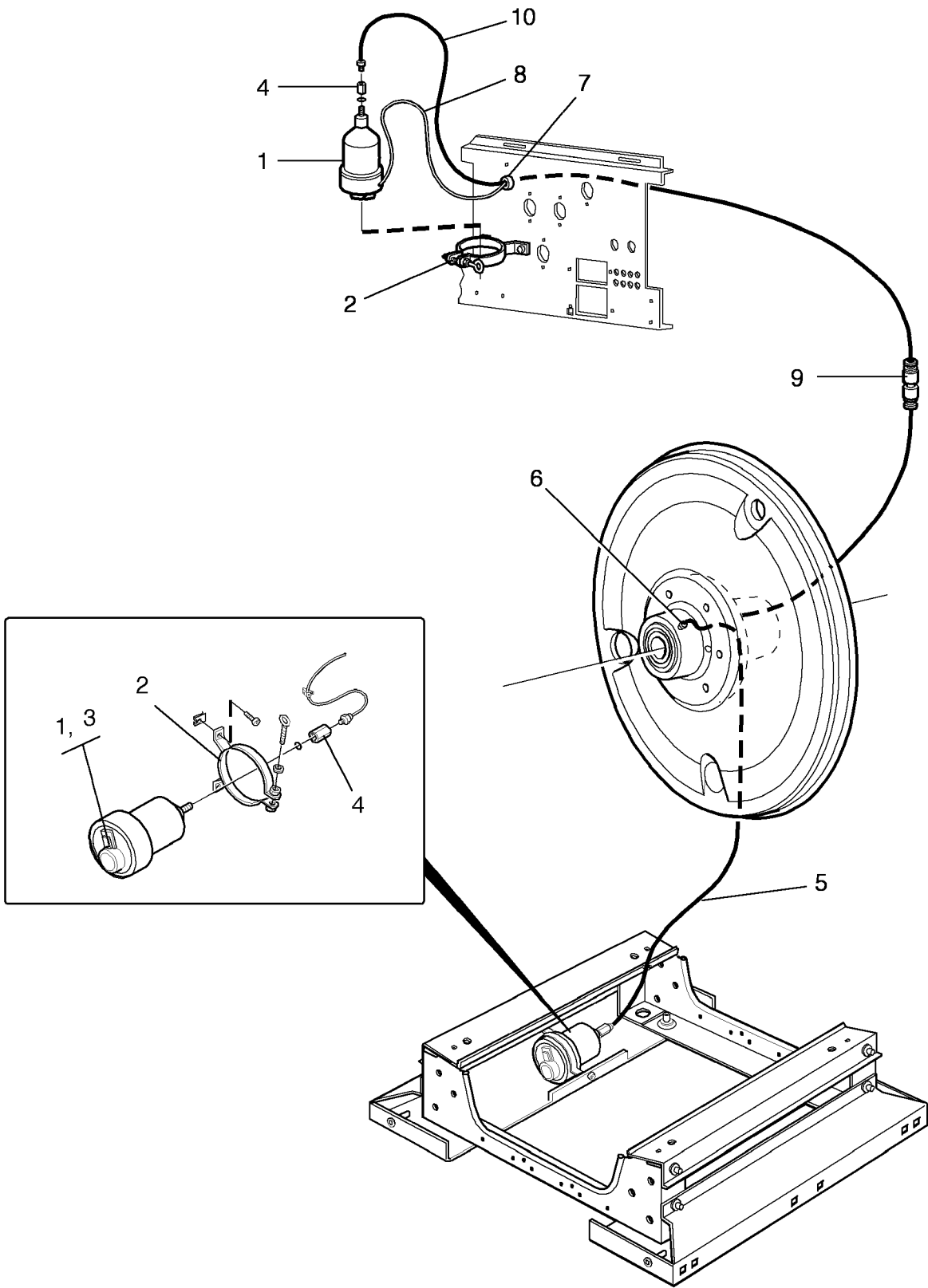


1

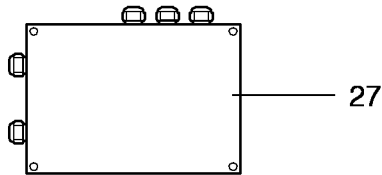
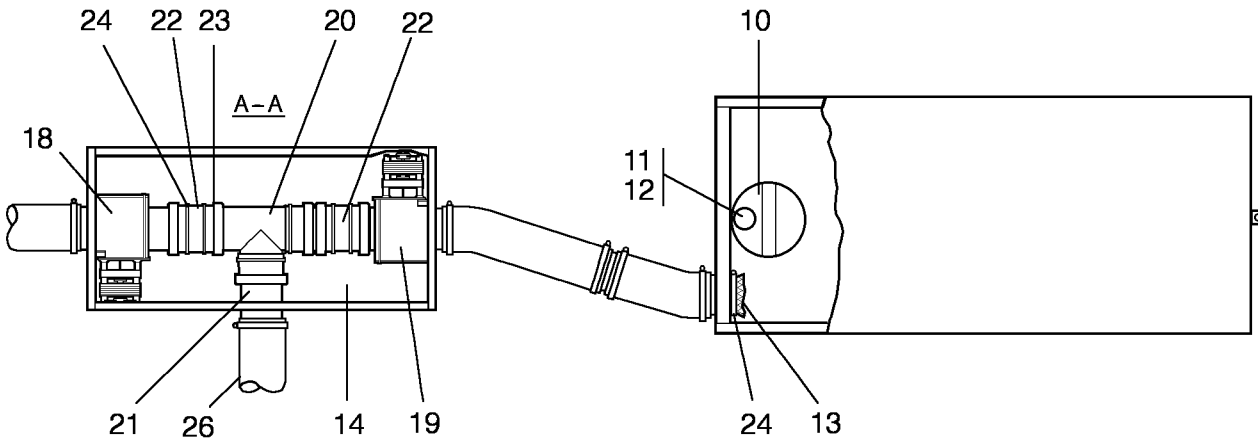
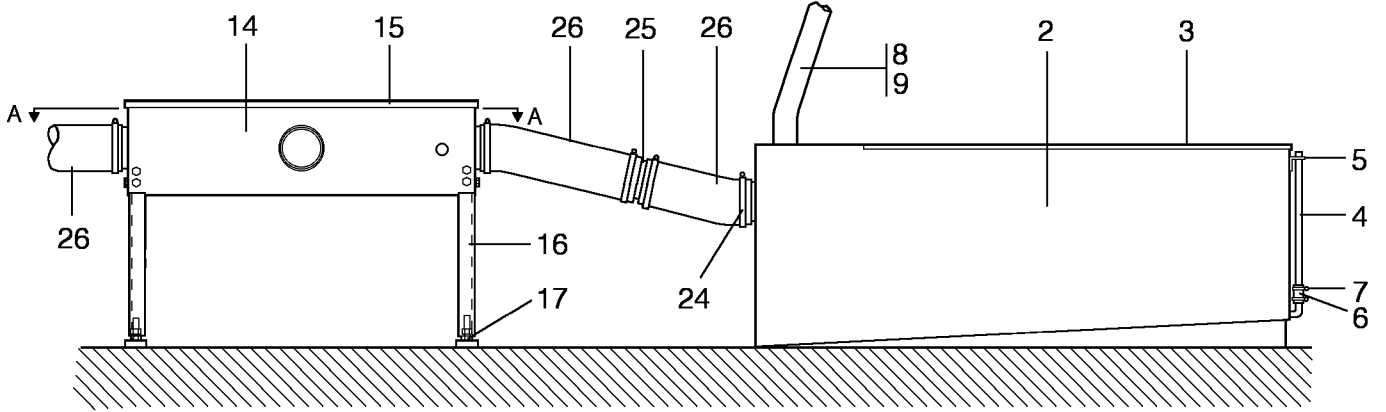


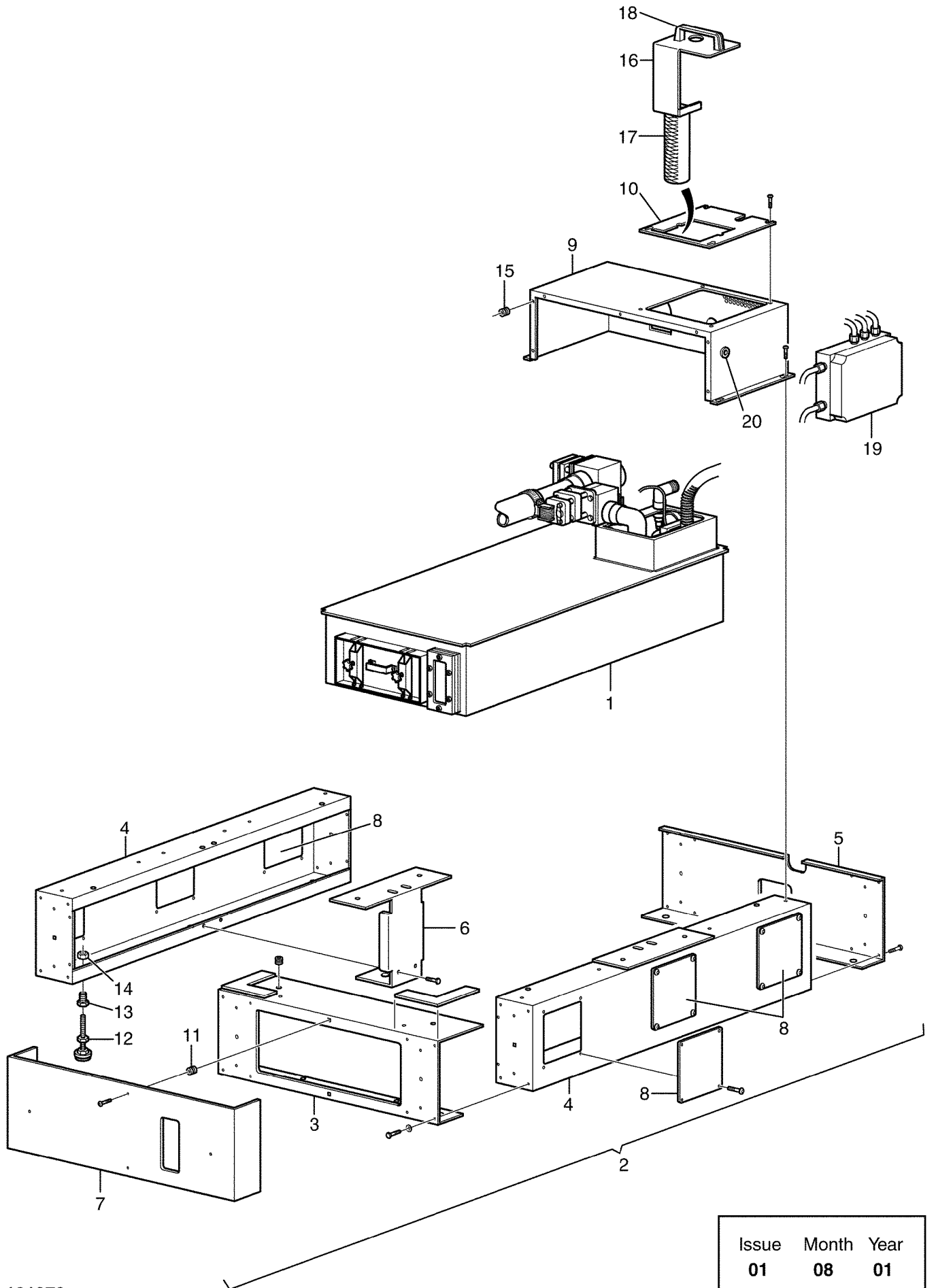
Issue	Month	Year
01	10	02





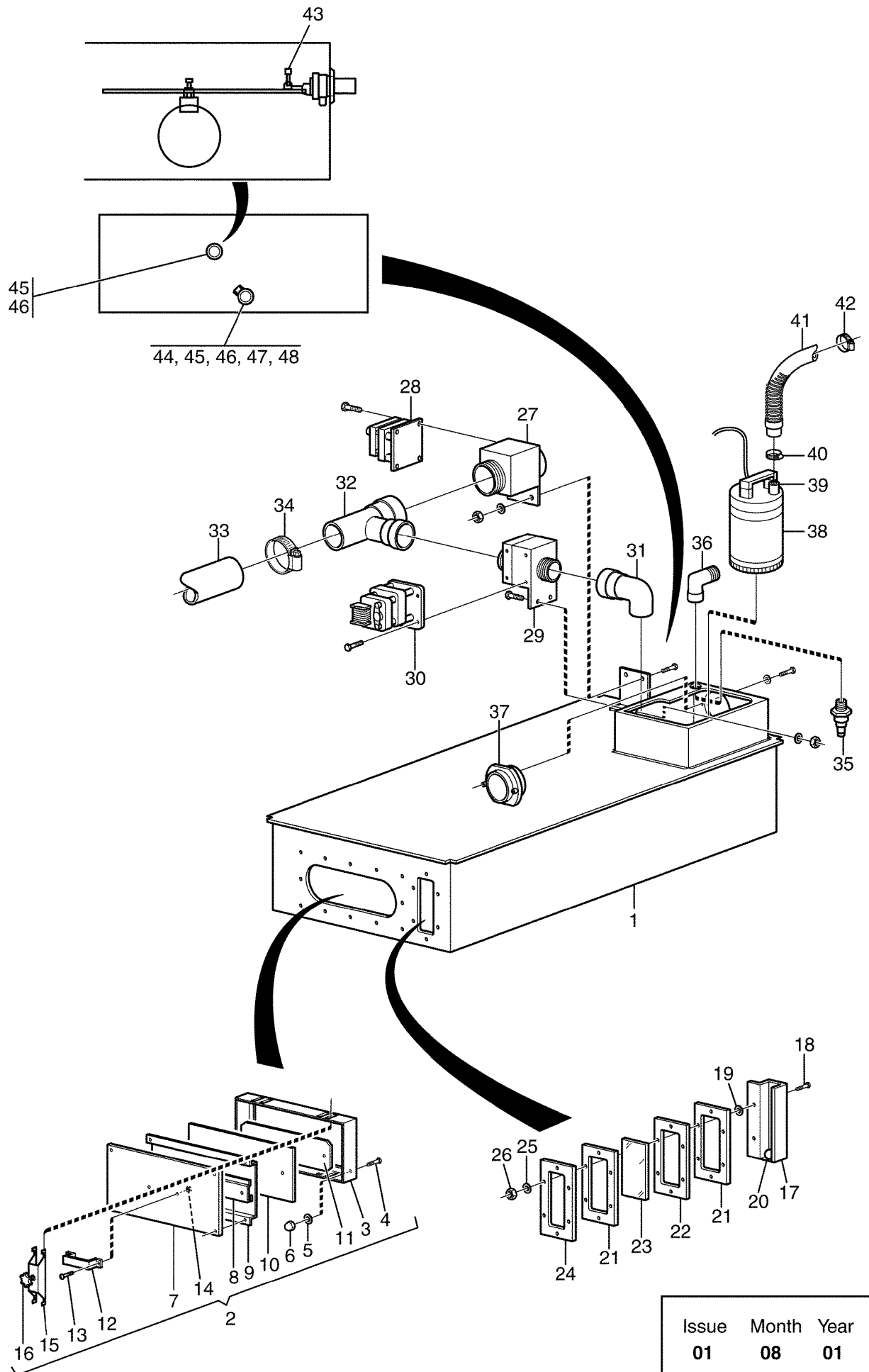
①





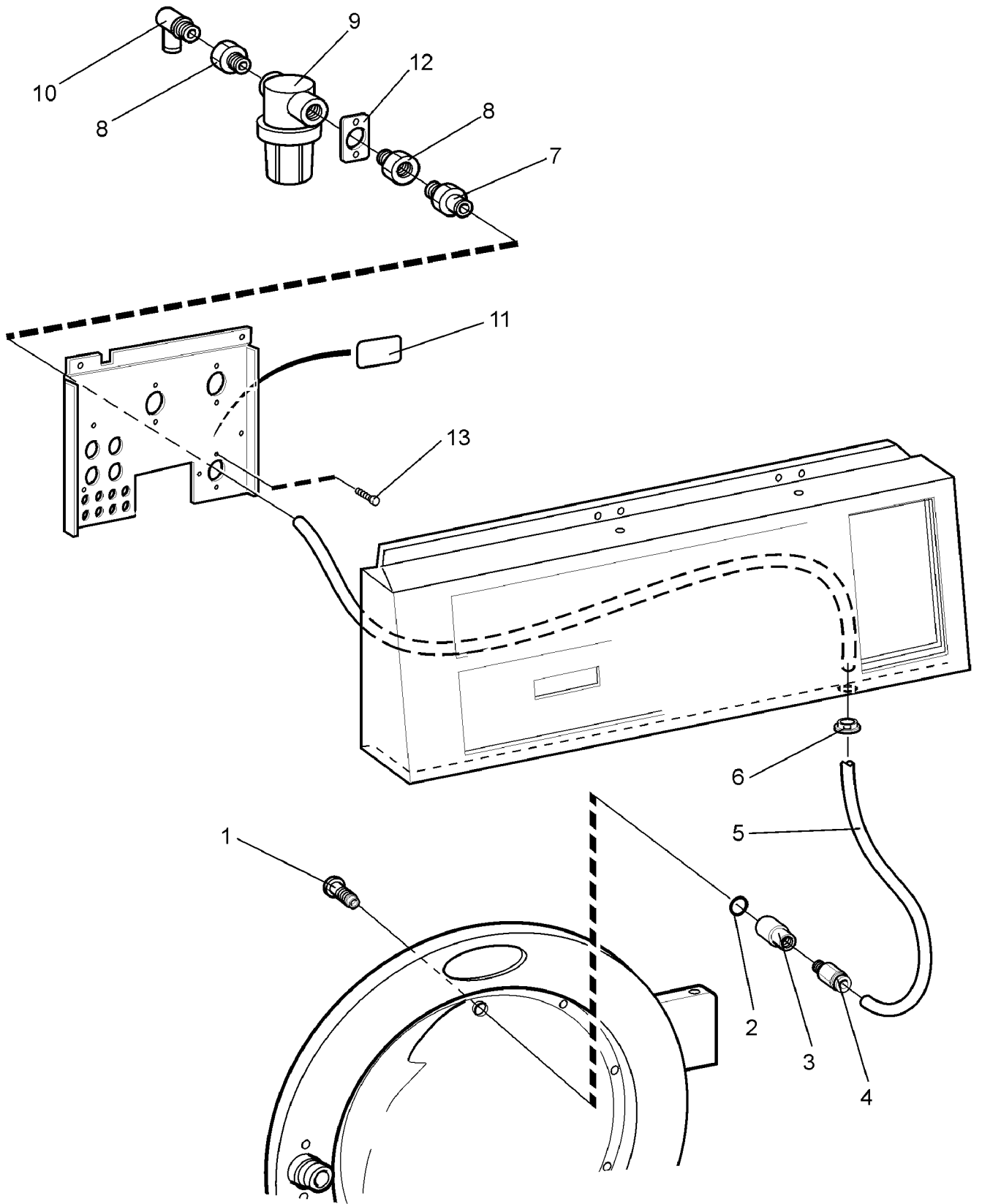
101973

Issue	Month	Year
01	08	01

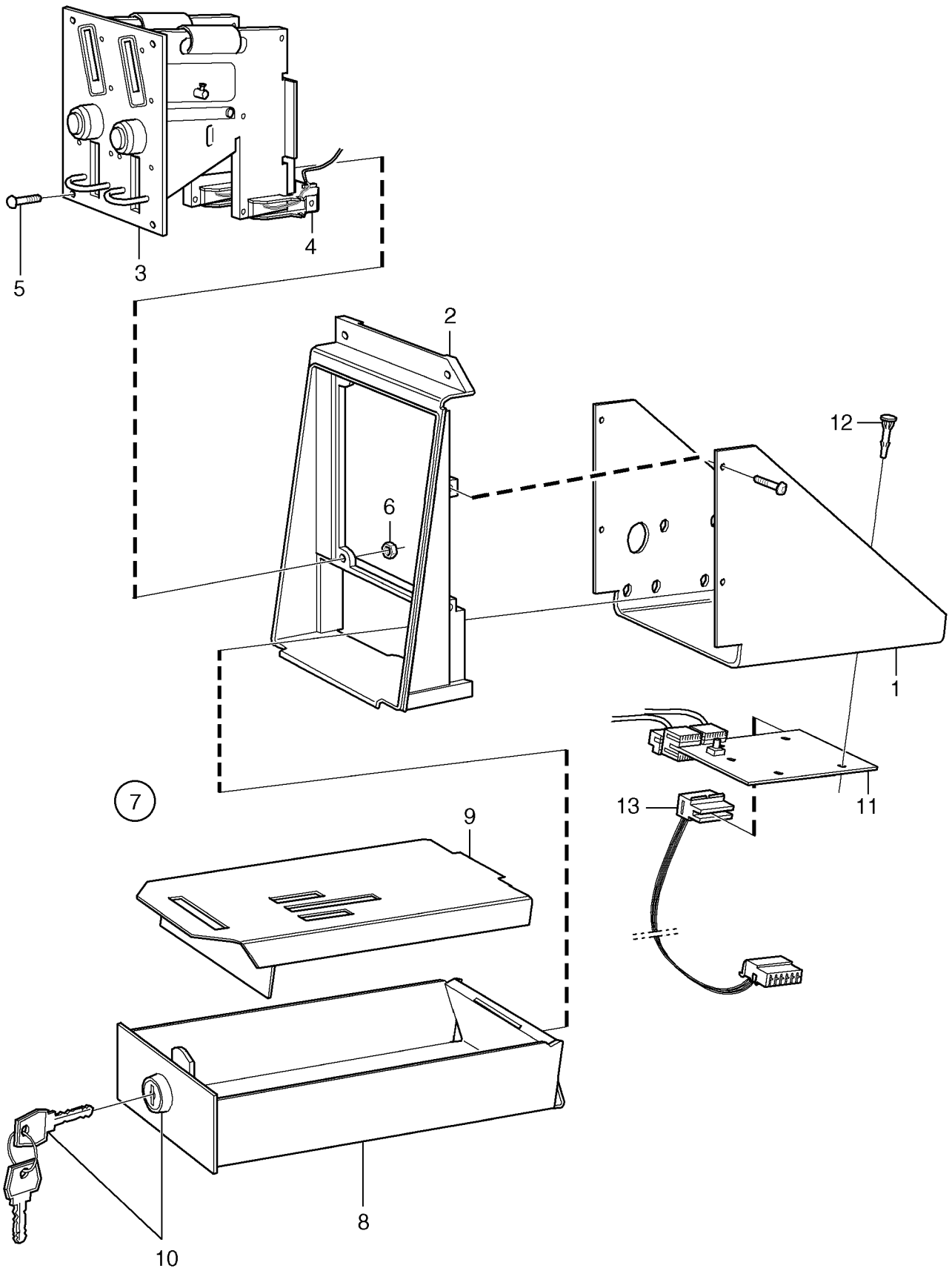


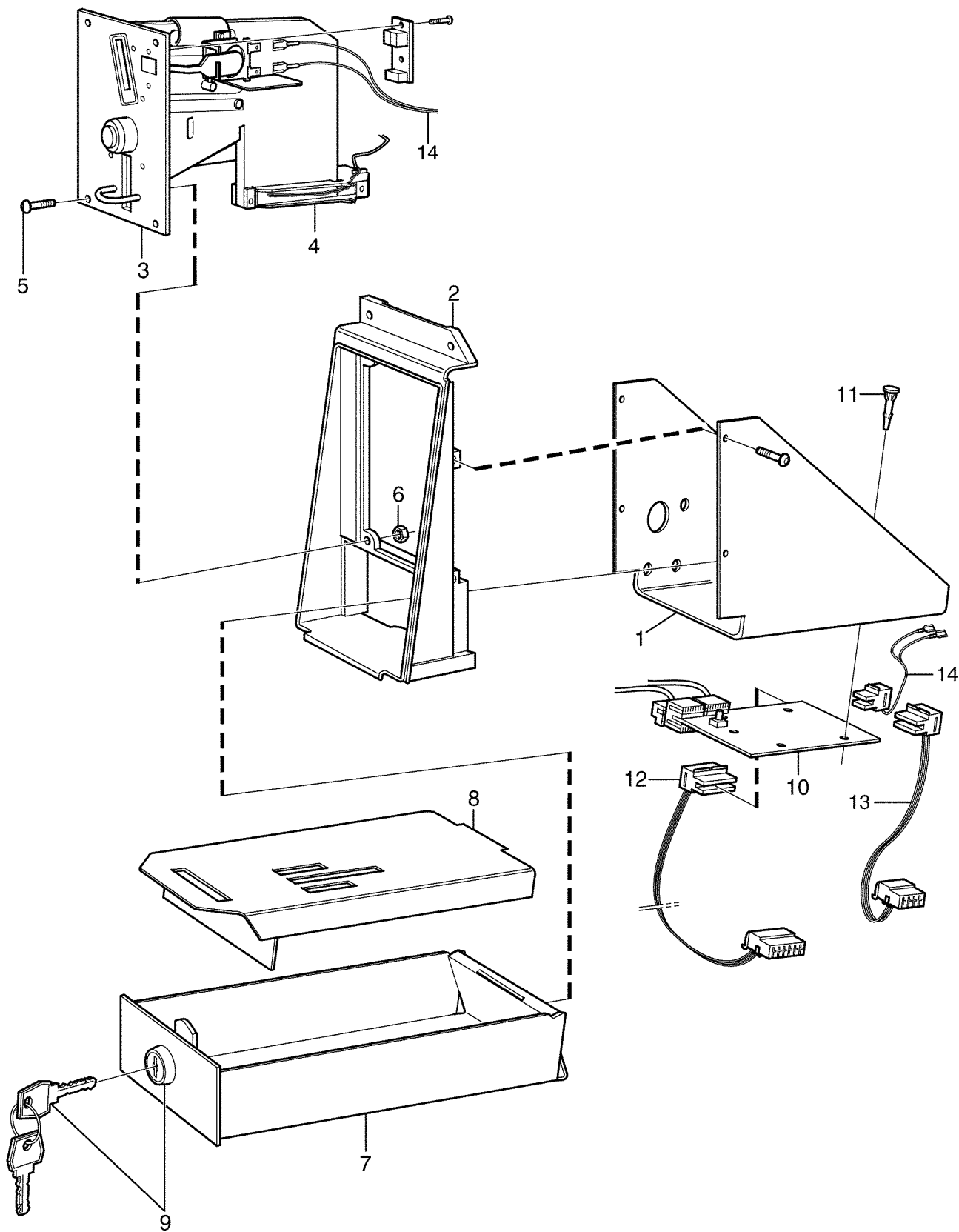
101972

Issue	Month	Year
01	08	01

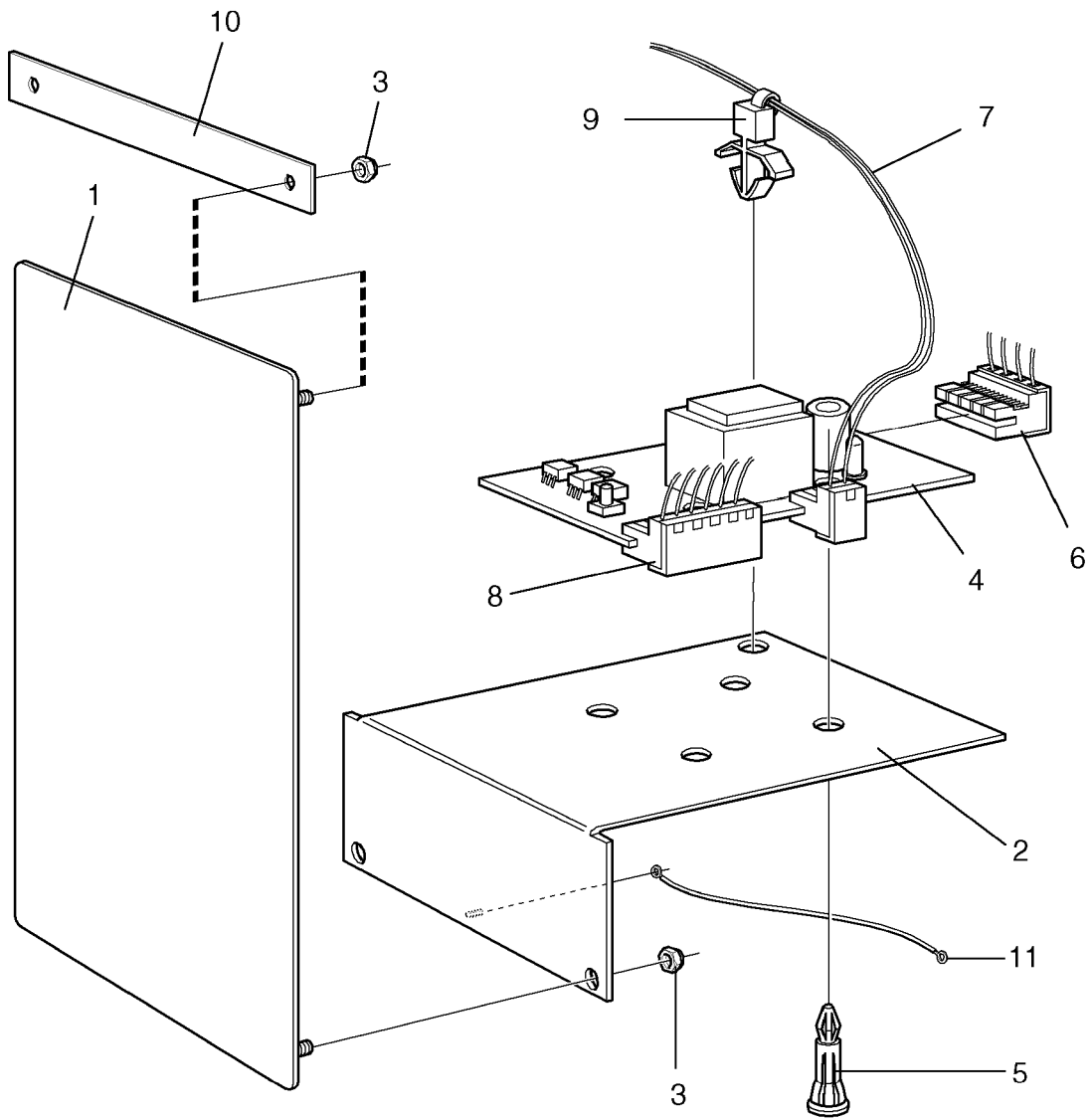


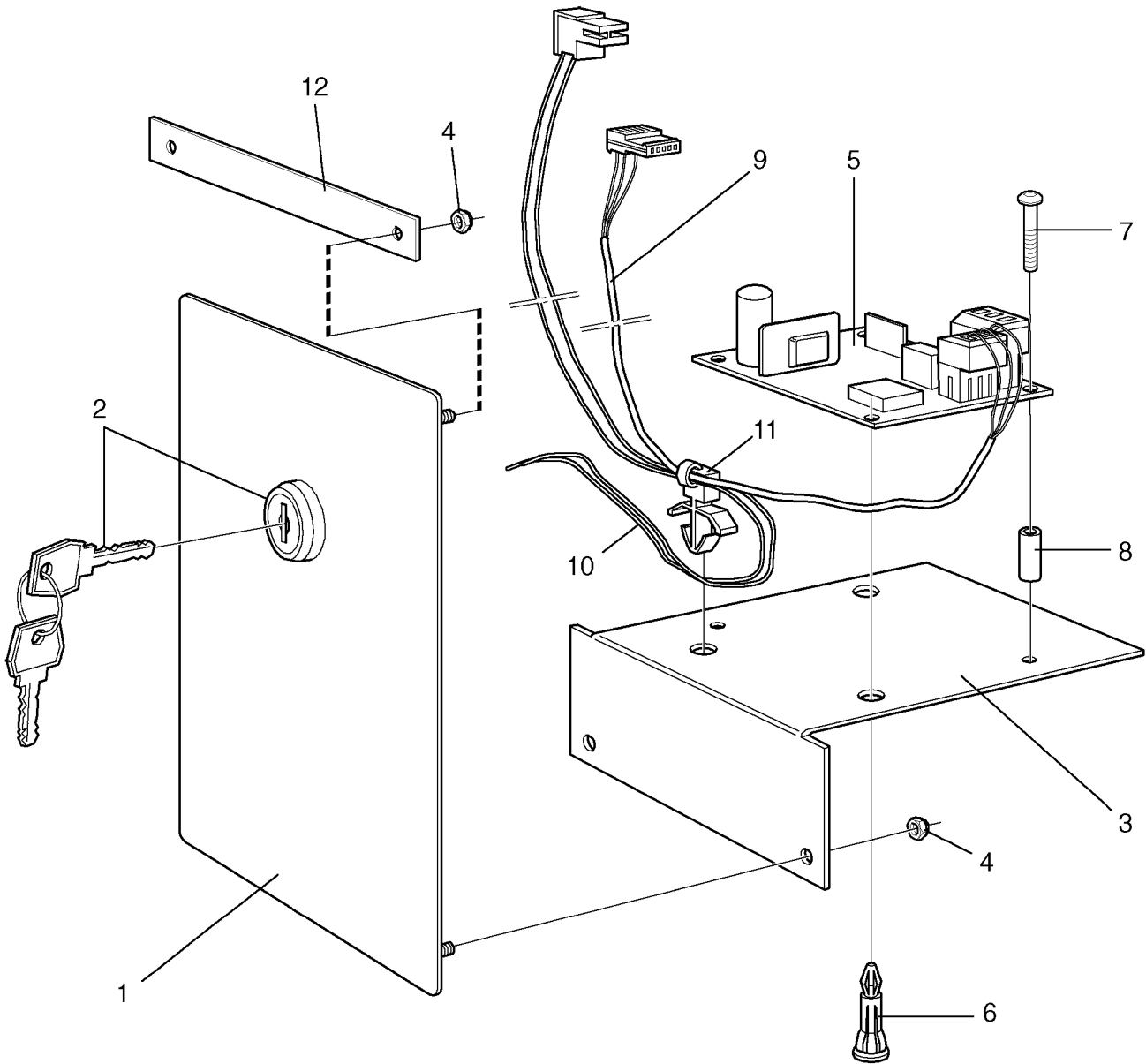
Issue	Month	Year
01	10	02

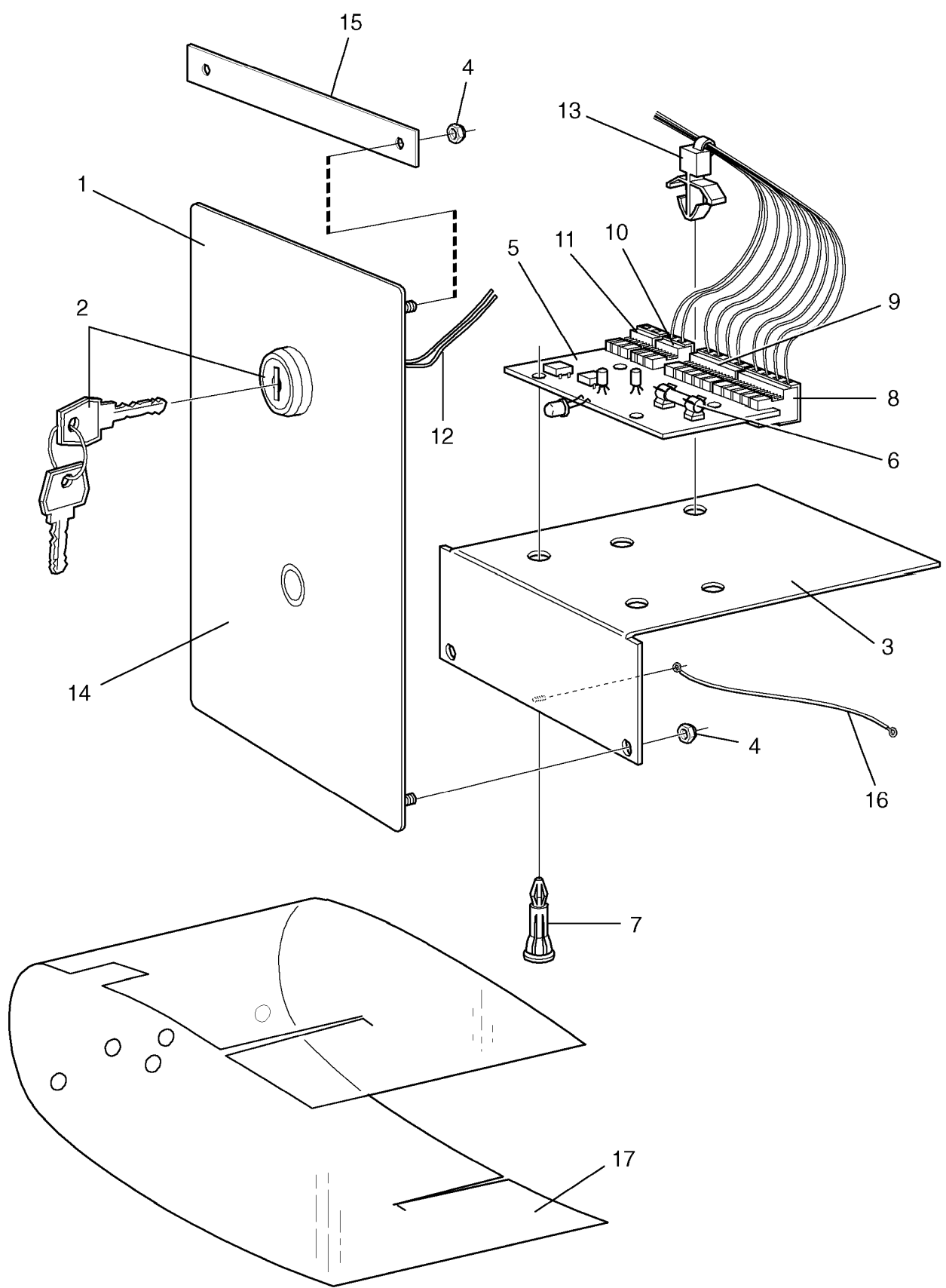


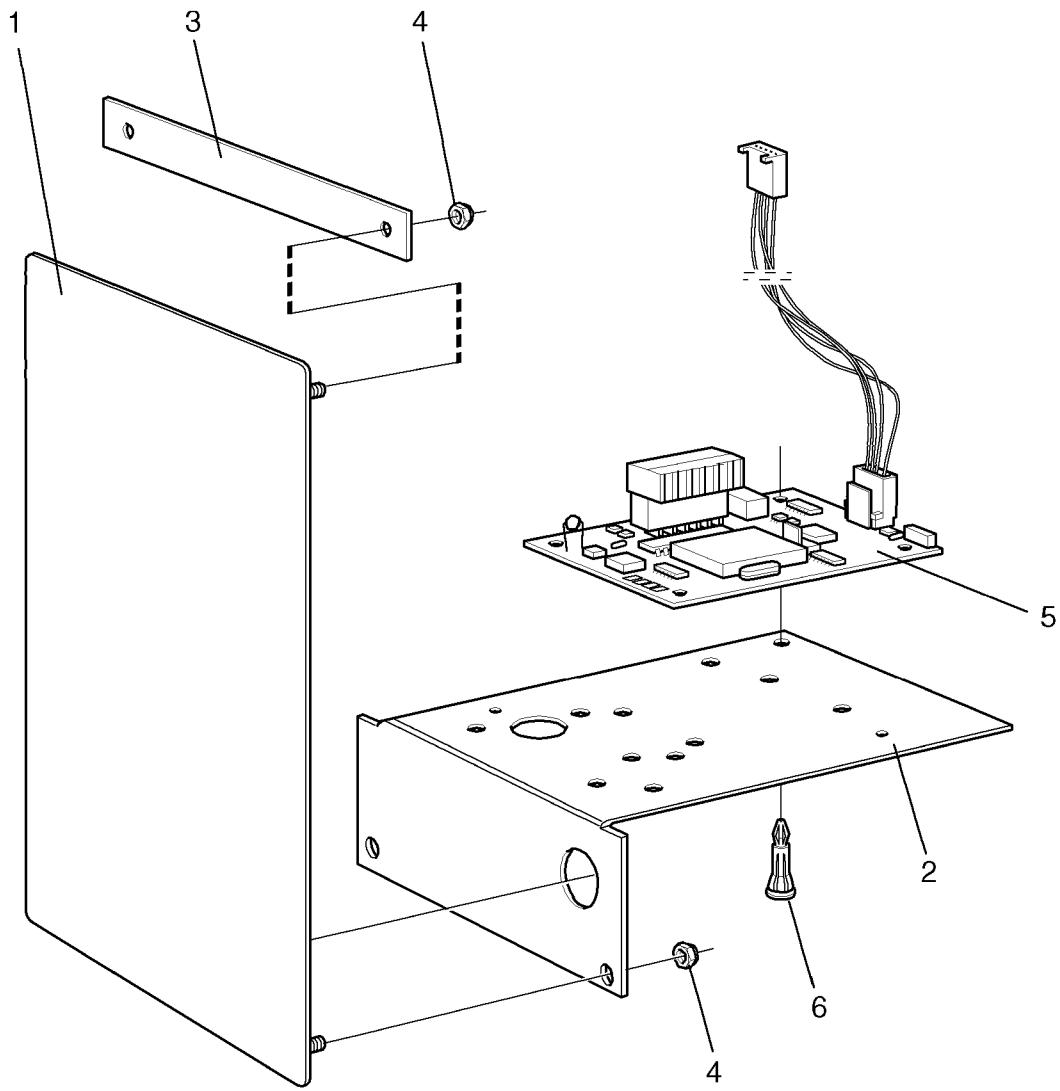


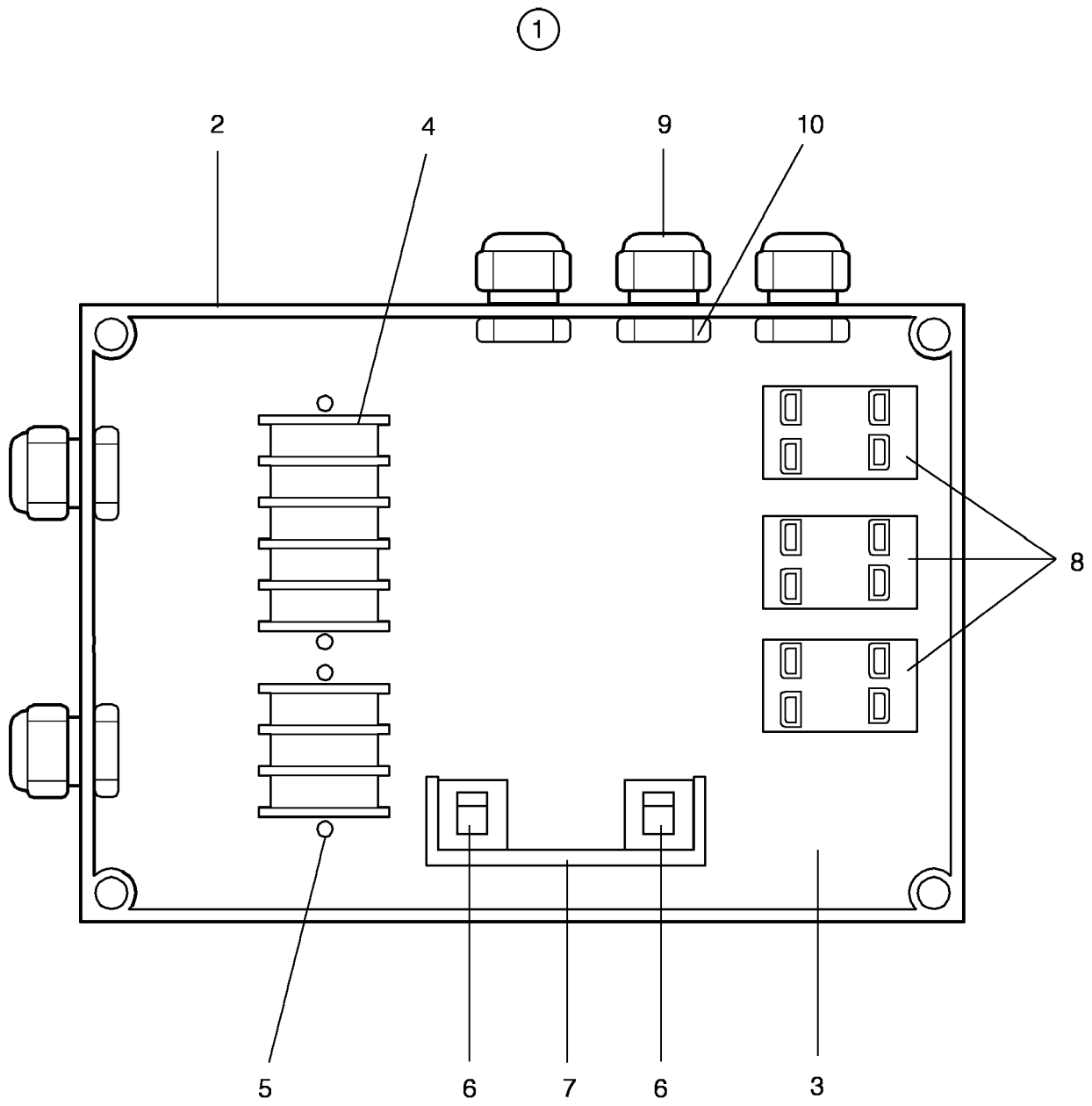
Issue	Month	Year
01	10	01

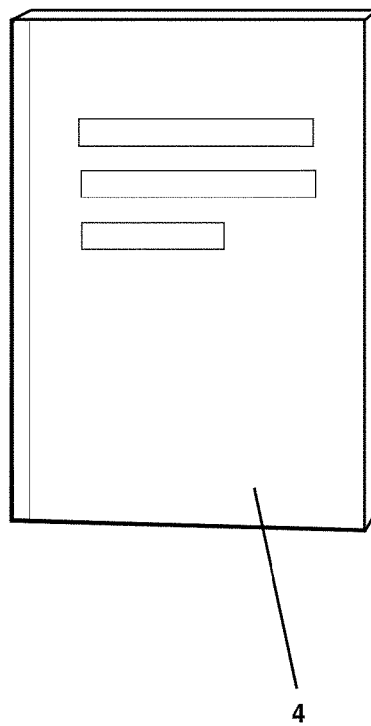
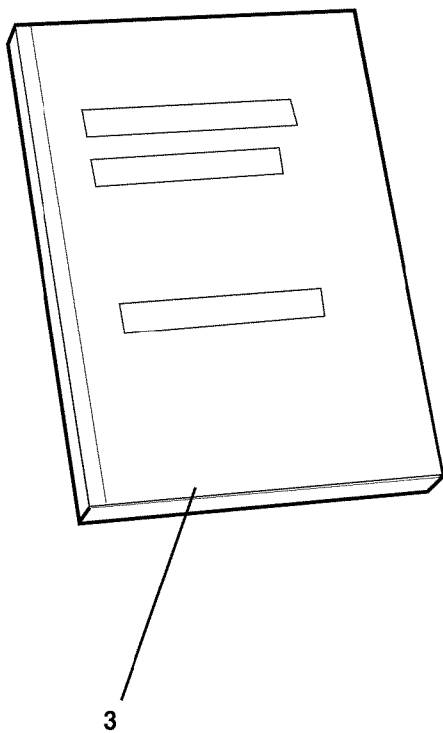
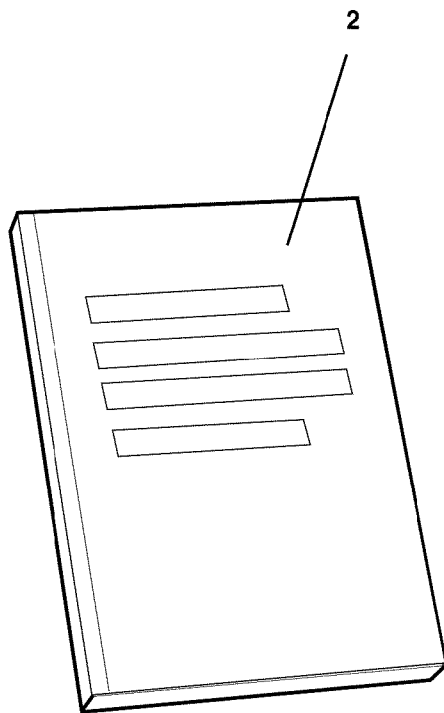
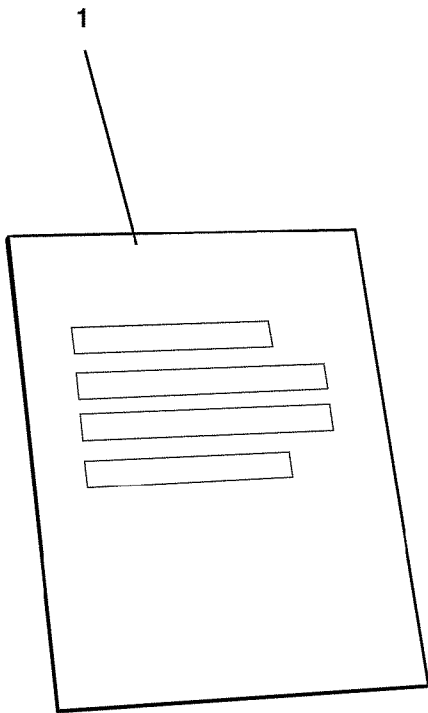












Page	Pos.	Spare Part	Alias Code	Repl. by	S	Info	Kit	Description	Techn. Bulletin	Notes	Ref.
2	0001	0HN653	432131101			D		FRAME		Lower	
2	0002	0W2307	438815601		S	D		FOOT		M10	
2	0003	0W2308	432145801		S	D		BUSH			
2	0004	0W0YX2	471841301		S	D		NUT		M20	
2	0005	0HN654	432147001			D		BRACKET		Middle	
2	0006	0W5458	432131202			D		FRAME		Upper	
2	0007	0W6770	432145301			D		TENSIONER			
2	0008	0W6377	725246571			D		SCREW		M8X70	
2	0009	0W6378	471780702			D		TENSION PLATE		18x8,4x2	
2	0010	0E0479	732211801		S	D	+	LOCKING NUT		M8	
2	0011	0W0ELF	432165001			D		BRACKET			
2	0012	0W0EEV	432130601			D		COUNTERWEIGHT			
2	0013	0W0EEW	432130701			D		COUNTERWEIGHT			
2	0014	0W0YUS	471832808	0W23C5		D		SCREW		M10X80	
2	0015	0W2386	472991305		S	D		SUSPENSION KIT		Kit compl.	
2	0016	000000									
2	0017	000000									
2	0018	000000									
2	0019	0W0YUN	471832805			D		SCREW		M8X20	
2	0020	0W2387	472991309		S	D		SHOCK ABSORBER KIT/4PCS		Complete	
2	0021	0W2328	472991311		S	D		SHOCK ABSORBER (KIT)		Complete kit, 2 pcs	
2	0022	0W3798	471855503		S	D		BUSHING			
2	0023	0W3545	725246451		S	D		SCREW		M8X65	
2	0024	0W1227	725246151		S	D		SCREW		M8X50	
2	0025	0W3801	471850234		S	D		WASHER		8,4x24x2	
2	0026	0E0479	732211801		S	D	+	LOCKING NUT		M8	
2	0027	0W2479	471982199		S	D		PLUG			
2	0028	0W2140	471982201	0W1V12		D		HEATING ELEMENT		4,33kW 240V	
2	0028	0W2536	471982321	0W1V15		D		HEATING ELEMENT		3,1kW 230V MOP	
2	0028	0W2988	471982202	0W1V13		D		HEATING ELEMENT		4,33kW 254V	
2	0028	0W4170	471982203	0W1V14		D		HEATING ELEMENT		1,6kW 240V	
2	0028	0W4315	471982204	0W1V15		D		HEATING ELEMENT		4,33kW 277V	
2	0029	0W0F5E	432295202			D		CABLE SET		230V 1AC/230V 3AC	
2	0029	0W4759	432295103			D		CABLE SET		400V	
2	0030	0W4580	432295302		S	D		CABLE SET		400V	
2	0031	0W2255	472991322		S	D		SENSOR		Complete	
2	0032	072298	471819201		S	D		BUSHING			
2	0033	0W5041	432308277		S	D		CABLE SET			
2	0034	0W3572	432165301			D		CLAMP			
2	0035	0W3729	432165401		S	D		COVER			
2	0036	0W2961	471955059			D		TRANSFORMER		356V,380V,415V,440V,480V	
2	0036	0W3492	471955054			D		TRANSFORMER		200V	
2	0037	0W3571	432298501			D		CABLE SET			
2	0038	0W0EG1	432141801			D		BEAM			
2	0039	0W0EG2	432141901		S	D		BRACKET			
2	0040	0W0K77	438956201			D		TRANSFORMER			
2	0041	0W0F67	432297701		S	D		CABLE SET			
2	0042	0W3801	471850234		S	D		WASHER		8,4x24x2	
2	0043	0W0YUN	471832805			D		SCREW		M8X20	
2	0044	0W5560	432164901			D		PLATE			
3	0001	0W2231	432200201			D		FRONT PLATE		Stainless	
3	0002	0W4811	432213501			D		BRACE			
3	0003	0HL009	432216313			D		RUBBER STRIP		L=760	
3	0004	0W0ERM	432205001			D		PILLAR		Stainless Left	
3	0005	0W6972	432205002			D		PILLAR		Stainless Right	
3	0006	0W0EUY	432216311			D		RUBBER STRIP		L=690	
3	0007	0W4816	471834215		S	D		SCREW			
3	0008	0HL009	432216313			D		RUBBER STRIP		L=760	
3	0009	0E2684	438533501	0W6652		D		RING NUT			
3	0010	0W0EPG	432203202			D		SIDE PANEL		White	
3	0010	0W0EPH	432203210			D		SIDE PANEL		Stainless	
3	0010	0W6088	432203201			D		SIDE PANEL		Grey	
3	0011	0W0EPJ	432203301			D		SIDE PANEL		Grey Left	
3	0011	0W0EPL	432203303			D		SIDE PANEL		White Left	
3	0011	0W0EPN	432203310			D		SIDE PANEL		Stainless Left	
3	0012	0W0EPK	432203302			D		SIDE PANEL		Grey Right	
3	0012	0W0EPM	432203304			D		SIDE PANEL		White Right	
3	0012	0W0EPP	432203311			D		SIDE PANEL		Stainless Right	
3	0013	0HN655	432206401		S	D		REAR PANEL		Upper	
3	0014	0W2334	432206501			D		REAR PANEL		Lower	
3	0015	0W0EVG	432217901			D		BRACE			

Page	Pos.	Spare Part	Alias Code	Repl. by	S	Info	Kit	Description	Techn. Bulletin	Notes	Ref.
3	0016	OHL030	432210501			D		BRACE BRACKET			
3	0017	OW0F3Y	432284401			D		COVER PLATE		DS	
3	0018	OW0Z03	471864102		S	D		PLUG			
3	0019	OHN422	432213101			D		BRACE			
3	0020	OW0XXR	471756521			D		VELCRO-TAPE			
3	0021	OHN421	432212102			D		BRACE			
3	0022	OW0EVB	432217001			D		PLATE			
3	0023	OHN420	432208201	OW1WDW		D		TOP PANEL			
3	0023	OW0ES3	432208202	OW1WDV		D		TOP PANEL		No detergent container	
3	0023	OW0EWZ	432220125			D		TOP PANEL		Coin-meter	
3	0023	OW2015	471782610		S	D		LOCK			
3	0023	OW2016	471782620		S	D	+	KEY		FH025	
3	0024	OW0ER7	432203802			D		SIDE PANEL		White Upper	
3	0024	OW0ER8	432203810			D		SIDE PANEL		Stainless Upper	
3	0024	OW4115	432203801			D		SIDE PANEL		Grey Upper	
3	0025	OW4814	432213701			D		BRACKET			
3	0026	OW4815	471798001			D		STOP			
3	0027	OW4816	471834215		S	D		SCREW			
4	0001	000000	432157203							Steam	
4	0001	OW0EJC	432157201			D		OUTER DRUM		Non-heated	
4	0001	OW5749	432157202			D		OUTER DRUM		El/Dual heating	
4	0002	OW0EL0	432160702			D		REAR GABLE		DBS Level tube	
4	0002	OW0EL1	432160704			D		REAR GABLE		Level tube	
4	0002	OW0EL2	432160705			D		BACK GABLE + INNER DRUM		DBS	
4	0002	OW6082	432160701		S	D		REAR GABLE		Without lubrication	
4	0003	OW0EGU	432150203			D		INNER DRUM		DBS	
4	0003	OW5989	432150201			D		INNER DRUM			
4	0004	OW2211	472991317	OW2448		D		KIT BEARING			
4	0005	000000									
4	0006	000000									
4	0007	000000									
4	0008	000000									
4	0009	000000									
4	0010	OW2389	438815503		S	D		GASKET			
4	0011	OW2390	432154701			D		LINING			
4	0012	OW5306	432156201		S	D		TRUNION HOUSING			
4	0013	OW2392	432154201			D		END PIECE			
4	0014	OW5803	471832301		S	D		SCREW		M6X12	
4	0015	OW3702	471832802		S	D		SCREW		M12X50	
4	0016	OW2393	432155201			D		PULLEY			
4	0017	OW4448	735950101			D		WEDGE		14x9x50	
4	0018	OW1320	735313900			D		C-CLAMP		SGA 45	
4	0019	OW2394	432156701		S	D		TENSION STRAP			
4	0020	OE0477	471922259		S	D		SCREW		M8X140	
4	0021	OE1210	471850214		S	D		WASHER		BRB 8,4X17	
4	0022	OE0479	732211801		S	D	+	LOCKING NUT		M8	
5	0001	OW6023	432187201			D		SUPPORT FRAME			
5	0002	OHN469	471845802		S	D		NUT		M6	
5	0003	OW6873	471852701			D		SPRING WASHER			
5	0004	OW6874	471840402		S	D		LOCKING NUT		M6	
5	0005	OW2395	432188701			D		TRIM PANEL			
5	0006	OW2396	432421201			D		DOOR			
5	0007	OW2397	432182701	OW6318		D		DOOR			
5	0008	OW2449	432185701		S	D		DOOR GLASS			
5	0008	OW3738	432185702			D		DOOR GLASS		Aqua clean	
5	0009	OW4130	432184202	OW152F		D		DOOR GASKET BLACK			
5	0010	OW3983	432195002		S	D		HINGED JOINT			
5	0011	OE2023	438406201		S	D		BUSHING			
5	0012	OW4613	432196201		S	D		PIN			
5	0013	OW2043	432195501		S	D		KNOB		Complete	
5	0014	000000									
5	0015	000000									
5	0016	000000									
5	0017	000000									
5	0018	OE1447	728836211			D		SCREW			
5	0019	OW2214	472991301		S	D		KIT, LOCK SHAFT			
5	0020	000000									
5	0021	000000									
5	0022	000000									
5	0023	000000									
5	0024	OK8915	725236661		S	D	+	SCREW		M6SF 6X12	

Page	Pos.	Spare Part	Alias Code	Repl. by	S	Info	Kit	Description	Techn. Bulletin	Notes	Ref.
5	0025	OW4599	432195601		S	D		COVER WASHER			
5	0026	OW5556	471834436		S	D		SCREW			
5	0027	OW3954	432195101			D		BRACKET			
5	0028	0HN097	432262007			D		SIGN			
5	0028	OW025E	432262002		S	D		SIGN		Wascomat	
5	0028	OW0EZY	432262008			D		SIGN			
5	0028	OW2044	432262001	0W6178		D		SIGN			
6	0001	0HN484	472991372		S	D		DOOR LOCKING DEVICE		CONVERSION KIT - 650/12499	
6	0002	000000									
6	0003	000000									
6	0004	OW2296	471967901		S	D		MICROSWITCH			
6	0005	000000									
6	0006	000000								M5X16	
6	0007	OW3574	432196001			D		COVER			
6	0008	000000									
6	0009	000000								M5	
6	0010	0HN496	438956101		S	D		DOOR LOCKING DEVICE		Complete 650/12500-	
6	0011	OW0YVK	471834247		S	D		SCREW		M6X25	
6	0012	OW5376	432290502		S	D		CABLE SET			
7	0001	OW2141	438970301			D		MOTOR		Complete -650/14354	
7	0001	OW4594	438970321	0W7PBY	S	D		MOTOR		Complete 650/14355-	
7	0002	000000									
7	0003	OW6686	438815802	0W3819		D		RUBBER BUSHING			
7	0004	000000									
7	0005	0HM854	432390101		S	A		SENSOR/TRANSDUCER		-650/14354	
7	0006	OW3704	432390501		S	D		MAGNET		-650/14354	
7	0007	OW0YW4	471835605			D		SCREW		M12x240	
7	0008	OW0YX8	471850200			D		WASHER			
7	0009	0E0637	732212201			D		LOCKING NUT		M12	
7	0010	OW2142	471770501			D		RIBBED BELT		-650/14354	
7	0010	OW4465	471771112		S	D		RIBBED BELT		650/14355-	
7	0011	OW0F6C	432298202			D		CABLE SET		Terminal block	
7	0011	OW0F6H	432298302			D		CABLE SET		Main switch Terminal block	
7	0012	OW2143	432299002			D		CABLE SET			
7	0013	OW0K8V	438979902	0W225K		D		CLAMP			
7	0014	0HM159	438979903		S	D		COVER			
7	0015	000000									
7	0016	0HM029	432145501			D		WASHER			
7	0017	000000									
7	0018	OW1282	471832203			D		SCREW		M8X50	
7	0019	0E0479	732211801		S	D	+	LOCKING NUT		M8	
7	0020	000000									
7	0021	OW4342	432308336			D		CABLE SET		-650/14354	
7	0021	OW4618	432308270		S	D		CABLE SET		650/14355-16408	
7	0021	OW4618	432309270		S	D		CABLE SET		650/16409-	
7	0022	0HM511	471834213			D	+	SCREW		MRT-TT 4X10	
7	005a	OW3566	471882601		S	D		TACHO SENSOR		650/14355-	
7	005b	0HN626	432122901		S	D		COVER		650/14355-	
7	006a	0HN627	471882701		S	D		MAGNET		650/14355-	
8	0001	OW0EP0	432201701			D		FRONT PANEL			
8	0002	0HM063	432272003			D		PANEL SIGN		Program 2G01	
8	0002	OW0F30	432272008			D		PANEL SIGN		Program 2M01	
8	0002	OW0F31	432272002			D		PANEL SIGN		Program 2H11	
8	0002	OW0F32	432272004			D		PANEL SIGN		Program 2W01, 2H01, 2H02, 2M11, 2F01, 2F02	
8	0002	OW0F33	432272005			D		PANEL SIGN		Program 2L41	
8	0002	OW0F35	432272009			D		PANEL SIGN		Program 2H21	
8	0002	OW0F36	432272010			D		PANEL SIGN		Program 2L11, 2L12	
8	0002	OW0F37	432272011		S	D		PANEL SIGN		Program 2L31	
8	0002	OW0F38	432272012			D		PANEL SIGN		Program 2R01	
8	0002	OW0F39	432272013			D		PANEL SIGN		Program 2A11	
8	0002	OW1XZB	432272018			D		PANEL SIGN		Program 2C01	
8	0002	OW2637	432272006			D		PANEL SIGN		Program 2L01, 2L02	
8	0002	OW5704	432272001		S	D		PANEL SIGN		Program 2A01, 2G41	
8	0003	000000	432264904							Program 2W41 Japanese	
8	0003	000000	432264920							Program 2A01 English	
8	0003	000000	432264925							Program 2C01 Spanish	
8	0003	000000	432264928							Program 2L01 English	
8	0003	000000	432265010							Program 2G01 Swedish	

Page	Pos.	Spare Part	Alias Code	Repl. by	S	Info	Kit	Description	Techn. Bulletin	Notes	Ref.
8	0003	000000	432265018							Program 2L12, Laundrette German	
8	0003	000000	432265028							Program 2F01, Farm English	
8	0003	000000	432265029							Program 2R01, QSR English	
8	0003	000000	432265034							Program 2R01, QSR German	
8	0003	000000	432265035							Program 2W01, Aqua Clean German	
8	0003	000000	432265036							Program 2H21, Hygienic, Nyborg English	
8	0003	000000	432265037							Program 2L12, Nyborg English	
8	0003	000000	432265038							Program 2F01, Farm French	
8	0003	000000	432265041							Program 2R01, QSR French	
8	0003	000000	432265042							Program 2W01, Aqua Clean French	
8	0003	000000	432265043							Program 2L12 French	
8	0003	000000	432265044							Program 2F01, Farm Italian	
8	0003	000000	432265046							Program 2R01, QSR Italian	
8	0003	000000	432265047							Program 2L12 Italian	
8	0003	000000	432265048							Program 2W01, Aqua Clean Italian	
8	0003	000000	432265049							Program 2F01, Farm Spanish	
8	0003	000000	432265052							Program 2R01, QSR Spanish	
8	0003	000000	432265053							Program 2W01, Aqua Clean Spanish	
8	0003	000000	432265054							Program 2L12 Spanish	
8	0003	000000	432265055							Program 2F01, Farm Dutch	
8	0003	000000	432265058							Program 2L02, Mench Dutch	
8	0003	000000	432265059							Program 2R01, QSR Dutch	
8	0003	000000	432265060							Program 2W01, Aqua Clean Dutch	
8	0003	000000	432265061							Program 2L12, Nyborg Dutch	
8	0003	000000	432265062							Program 2F01, Farm Danish	
8	0003	000000	432265066							Program 2W01, Aqua Clean Danish	
8	0003	000000	432265068							Program 2F01, Farm Finnish	
8	0003	000000	432265069							Program 2G01 Finnish	
8	0003	000000	432265070							Program 2L01 Finnish	
8	0003	000000	432265072							Program R01 Finnish	
8	0003	000000	432265073							Program 2W01, Aqua Clean Finnish	
8	0003	000000	432265075							Program 2F01, Farm Norwegian	
8	0003	000000	432265077							Program 2L01 Norwegian	
8	0003	000000	432265078							Program 2M11, Mop Norwegian	
8	0003	000000	432265079							Program 2R01, QSR Norwegian	
8	0003	000000	432265080							Program 2W01, Aqua Clean Norwegian	
8	0003	000000	432265081							Program 2L12, Nyborg Norwegian	
8	0003	000000	432265082							Program 2F01 Polish	
8	0003	000000	432265083							Program 2G01 Polish	
8	0003	000000	432265084							Program 2L01 Polish	
8	0003	000000	432265085							Program 2R01, QSR Polish	
8	0003	000000	432265086							Program 2W01, Aqua Clean Polish	
8	0003	000000	432265087							Program 2L12, Nyborg Polish	
8	0003	000000	432265088							Program 2L31, Emerald Spanish	
8	0003	000000	432265089							Program 2S01, Selecta Spanish	
8	0003	000000	432265092							Program 2L01 Italian, English	

Page	Pos.	Spare Part	Alias Code	Repl. by	S	Info	Kit	Description	Techn. Bulletin	Notes	Ref.
8	0003	000000	432265094							Program 2A11 Mats/heavy laundry, Danish	
8	0003	000000	432265095							Program 2A11 Mats/heavy laundry, Norwegian	
8	0003	000000	432265096							Program 2A11 Mats/heavy laundry, Finnish	
8	0003	000000	432265097							Program 2F02, Westfalla Swedish	
8	0003	000000	432265098							Program 2H11 Finnish/Swedish	
8	0003	000000	432265151							Program 2L01 Italian Zanussi	
8	0003	000000	432265209							Program 2G01 German	
8	0003	000000	432265211							Program 2L12 German	
8	0003	000000	432265212							Program 2G01 French	
8	0003	000000	432265214							Program 2L12 French	
8	0003	000000	432265215							Program 2G01 Italian	
8	0003	000000	432265216							Program 2L12 Italian	
8	0003	000000	432265218							Program 2L01 Spanish	
8	0003	000000	432265219							Program 2L12 Spanish	
8	0003	000000	432265220							Program 2G01 Dutch	
8	0003	000000	432265222							Program 2L12 Dutch	
8	0003	000000	432265224							Program 2G01 Danish	
8	0003	000000	432265225							Program 2L01 Danish	
8	0003	000000	432265226							Program 2H21 Danish	
8	0003	000000	432265227							Program 2A01 Finnish	
8	0003	000000	432265228							Program 2G01 Finnish	
8	0003	000000	432265229							Program 2L01 Finnish	
8	0003	000000	432265230							Program 2A01 Norwegian	
8	0003	000000	432265231							Program 2G01 Norwegian	
8	0003	000000	432265232							Program 2L01 Norwegian	
8	0003	000000	432265233							Program 2L12 Norwegian	
8	0003	000000	432265234							Program 2G01 Polish	
8	0003	000000	432265235							Program 2L01 Polish	
8	0003	000000	432265236							Program 2L12 Polish	
8	0003	000000	432265238							Program 2L11 German	
8	0003	000000	432265241							Program 2L01 English	
8	0003	0HM061	432265050			D		INSTRUCTION PLATE		Program 2G01 Spanish	
8	0003	0W00KP	432265221			D		INSTRUCTION PLATE		Program 2L01 Dutch	
8	0003	0W0F05	432264903			D		INSTRUCTION PLATE		Program 2G41 Japanese	
8	0003	0W0F06	432264905			D		INSTRUCTION PLATE		Program 2L41 Japanese	
8	0003	0W0F07	432264906			D		INSTRUCTION PLATE		Program 2L51 Japanese	
8	0003	0W0F08	432264907			D		INSTRUCTION PLATE		Program 2H42 Japanese	
8	0003	0W0F0A	432264921			D		INSTRUCTION PLATE		Program 2M01 French	
8	0003	0W0F0B	432264922			D		INSTRUCTION PLATE		Program 2M11, Mop Danish	
8	0003	0W0F0C	432264923			D		INSTRUCTION PLATE		Program 2H12 Swedish	
8	0003	0W0F0D	432264924			D		INSTRUCTION PLATE		Program 2M12 Swedish	
8	0003	0W0F0E	432264926			D		INSTRUCTION PLATE		Program 2A01 Danish	
8	0003	0W0F0F	432264927			D		INSTRUCTION PLATE		Program 2A01 Swedish	
8	0003	0W0F0S	432265002			D		INSTRUCTION PLATE		Program 2A01 Danish	
8	0003	0W0F0T	432265003			D		INSTRUCTION PLATE		Program 2H11 Swedish	
8	0003	0W0F0U	432265004			D		INSTRUCTION PLATE		Program 2W01, Aqua Clean Swedish	
8	0003	0W0F0V	432265005			D		INSTRUCTION PLATE		Program 2L41 Japanese	
8	0003	0W0F0W	432265006			D		INSTRUCTION PLATE		Program 2S01, Selecta USA	
8	0003	0W0F0X	432265009			D		INSTRUCTION PLATE		Program 2G01 French	
8	0003	0W0F0Y	432265011			D		INSTRUCTION PLATE		Program 2L31, Emerald USA	
8	0003	0W0F0Z	432265012			D		INSTRUCTION PLATE		Program 2L01 English	
8	0003	0W0F10	432265013			D		INSTRUCTION PLATE		Program 2M01, Mop English	
8	0003	0W0F11	432265014			D		INSTRUCTION PLATE		Program 2W01, Aqua Clean English	
8	0003	0W0F13	432265016			D		INSTRUCTION PLATE		Program 2H21, Hygienic Danish	
8	0003	0W0F14	432265017			D		INSTRUCTION PLATE		Program 2L11, Thermoboost German	
8	0003	0W0F15	432265019			D		INSTRUCTION PLATE		Program 2H02, Selecta Danish	
8	0003	0W0F16	432265020			D		INSTRUCTION PLATE		Program 2H01, Hospital English	

Page	Pos.	Spare Part	Alias Code	Repl. by	S	Info	Kit	Description	Techn. Bulletin	Notes	Ref.
8	0003	0W0F18	432265022			D		INSTRUCTION PLATE		Program 2A01, W3130 Swedish	
8	0003	0W0F1A	432265025			D		INSTRUCTION PLATE		Program 2M11, Mop Swedish	
8	0003	0W0F1B	432265026			D		INSTRUCTION PLATE		Program 2F01, Farm Swedish	
8	0003	0W0F1C	432265027			D		INSTRUCTION PLATE		Program 2R01, QSR Swedish	
8	0003	0W0F1D	432265030			D		INSTRUCTION PLATE		Program 2F01, Farm German	
8	0003	0W0F1E	432265031			D		INSTRUCTION PLATE		Program 2F02, Westfalla German	
8	0003	0W0F1F	432265032			D		INSTRUCTION PLATE		Program 2L01 German	
8	0003	0W0F1G	432265033			D		INSTRUCTION PLATE		Program 2M01, Mop German	
8	0003	0W0F1H	432265040			D		INSTRUCTION PLATE		Program 2L02, Mench French	
8	0003	0W0F1J	432265051			D		INSTRUCTION PLATE		Program 2L01 Spanish	
8	0003	0W0F1K	432265056			D		INSTRUCTION PLATE		Program 2G01 Dutch	
8	0003	0W0F1L	432265057			D		INSTRUCTION PLATE		Program 2L01 Dutch	
8	0003	0W0F1N	432265063			D		INSTRUCTION PLATE		Program 2G01 Danish	
8	0003	0W0F1P	432265064			D		INSTRUCTION PLATE		Program 2L01 Danish	
8	0003	0W0F1R	432265065			D		INSTRUCTION PLATE		Program 2R01, QSR Danish	
8	0003	0W0F1S	432265067			D		INSTRUCTION PLATE		Program 2A01 Finnish	
8	0003	0W0F1T	432265071			D		INSTRUCTION PLATE		Program 2M11, Mop Finnish	
8	0003	0W0F1U	432265074			D		INSTRUCTION PLATE		Program 2A01 Norwegian	
8	0003	0W0F1V	432265076			D		INSTRUCTION PLATE		Program 2G01 Norwegian	
8	0003	0W0F1W	432265090			D		INSTRUCTION PLATE		Program 2L31, Emerald French	
8	0003	0W0F1X	432265091			D		INSTRUCTION PLATE		Program 2S01, Selecta French	
8	0003	0W0F1Y	432265093			D		INSTRUCTION PLATE		Program 2A11 Mats/heavy laundry, Swedish	
8	0003	0W0F2G	432265204			D		INSTRUCTION PLATE		Program 2A01, W3130 Swedish	
8	0003	0W0F2H	432265207			D		INSTRUCTION PLATE		Program 2G01 English	
8	0003	0W0F2J	432265208			D		INSTRUCTION PLATE		Program 2L01 English	
8	0003	0W0F2K	432265210			D		INSTRUCTION PLATE		Program 2L01 German	
8	0003	0W0F2L	432265213			D		INSTRUCTION PLATE		Program 2L01 French	
8	0003	0W0F2M	432265217			D		INSTRUCTION PLATE		Program 2G01 Spanish	
8	0003	0W0F2P	432265223			D		INSTRUCTION PLATE		Program 2A01 Danish	
8	0003	0W0F2R	432265239			D		INSTRUCTION PLATE		Program 2A01 Danish	
8	0003	0W0F2S	432265240			D		INSTRUCTION PLATE		Program 2A01 Swedish	
8	0003	0W2148	432265007			D		INSTRUCTION PLATE		Program 2G01 English	
8	0003	0W22AB	432265039					INSTRUCTION SIGN		Program 2L01 French	
8	0003	0W4400	432265008			D		INSTRUCTION PLATE		Program 2G01 German	
8	0003	0W4451	432265045			D		INSTRUCTION PLATE		Program 2G01 Italian	
8	0003	0W6041	432265237			D		INSTRUCTION PLATE		Program 2L01 Italian	
8	0004	0W0EYB	432260340			D		TYPE PLATE		FAS130H	
8	0004	0W0EYC	432260351			D		TYPE PLATE		EX630s	
8	0004	0W2150	432260301			D		TYPE PLATE		W3130H	
8	0005	0W3905	432215001			D		COVER PLATE			
8	0006	0W3907	432218101			D		BRACKET			
8	0007	0W1318	732211201		S	D	+	LOCKING NUT		M4	
9	0001	0W0EP0	432201701			D		FRONT PANEL			
9	0002	0HM063	432272003			D		PANEL SIGN		Program 2G01	
9	0002	0W0F30	432272008			D		PANEL SIGN		Program 2M01	
9	0002	0W0F31	432272002			D		PANEL SIGN		Program 2H11	
9	0002	0W0F32	432272004			D		PANEL SIGN		Program 2W01, 2H01, 2H02, 2M11, 2F01, 2F02	
9	0002	0W0F33	432272005			D		PANEL SIGN		Program 2L41	
9	0002	0W0F35	432272009			D		PANEL SIGN		Program 2H21	
9	0002	0W0F36	432272010			D		PANEL SIGN		Program 2L11, 2L12	
9	0002	0W0F37	432272011		S	D		PANEL SIGN		Program 2L31	
9	0002	0W0F38	432272012			D		PANEL SIGN		Program 2R01	
9	0002	0W0F39	432272013			D		PANEL SIGN		Program 2A11	
9	0002	0W2637	432272006			D		PANEL SIGN		Program 2L01, 2L02	
9	0002	0W5704	432272001		S	D		PANEL SIGN		Program 2A01, 2G41	
9	0003	000000	432265106							Program 2G01 Payment system, Swedish	

Page	Pos.	Spare Part	Alias Code	Repl. by	S	Info	Kit	Description	Techn. Bulletin	Notes	Ref.
9	0003	000000	432265109							Program 2G01 Payment system, German	
9	0003	000000	432265110							Program 2L01 Payment system, German	
9	0003	000000	432265111							Program 2L12 Payment system, German	
9	0003	000000	432265112							Program 2G01 Payment system, French	
9	0003	000000	432265114							Program 2L12 Payment system, French	
9	0003	000000	432265116							Program 2L12 Payment system, Italian	
9	0003	000000	432265119							Program 2L12 Payment system, Spanish	
9	0003	000000	432265120							Program 2G01 Payment system, Dutch	
9	0003	000000	432265122							Program 2L12 Payment system, Dutch	
9	0003	000000	432265124							Program 2G01 Payment system, Danish	
9	0003	000000	432265125							Program 2L01 Payment system, Danish	
9	0003	000000	432265126							Program 2H21 Payment system, Danish	
9	0003	000000	432265128							Program 2G01 Payment system, Finnish	
9	0003	000000	432265129							Program 2L01 Payment system, Finnish	
9	0003	000000	432265130							Program 2A01 Payment system, Norwegian	
9	0003	000000	432265131							Program 2G01 Payment system, Norwegian	
9	0003	000000	432265132							Program 2L01 Payment system, Norwegian	
9	0003	000000	432265133							Program 2L12 Payment system, Norwegian	
9	0003	000000	432265134							Program 2G01 Payment system, Polish	
9	0003	000000	432265135							Program 2L01 Payment system, Polish	
9	0003	000000	432265136							Program 2L12 Payment system, Polish	
9	0003	000000	432265138							Program 2S01 Payment system, USA, English	
9	0003	000000	432265139							Program 2L31 Payment system, USA, Spanish	
9	0003	000000	432265140							Program 2S01 Payment system, USA, Spanish	
9	0003	000000	432265141							Program 2L31 Payment system, USA, French	
9	0003	000000	432265142							Program 2S01 Payment system, USA, French	
9	0003	000000	432265143							Program 2L01 Payment system, Italian	
9	0003	000000	432265145							Program 2A01 Swedish	
9	0003	000000	432265146							Program 2L01 English	
9	0003	0W0F21	432265104			D		INSTRUCTION PLATE		Program 2A01, W3130 Swedish	
9	0003	0W0F22	432265107			D		INSTRUCTION PLATE		Program 2G01 Payment system, English	
9	0003	0W0F23	432265108			D		INSTRUCTION PLATE		Program 2L01 Payment system, English	
9	0003	0W0F24	432265113			D		INSTRUCTION PLATE		Program 2L01 Payment system, French	
9	0003	0W0F25	432265117			D		INSTRUCTION PLATE		Program 2G01 Payment system, Spanish	
9	0003	0W0F26	432265118			D		INSTRUCTION PLATE		Program 2L01 Payment system, Spanish	
9	0003	0W0F27	432265121			D		INSTRUCTION PLATE		Program 2L01 Payment system, Dutch	

Page	Pos.	Spare Part	Alias Code	Repl. by	S	Info	Kit	Description	Techn. Bulletin	Notes	Ref.
9	0003	0W0F29	432265123			D		INSTRUCTION PLATE		Program 2A01 Payment system, Danish	
9	0003	0W0F2A	432265127			D		INSTRUCTION PLATE		Program 2A01 Payment system, Finnish	
9	0003	0W0F2B	432265137			D		INSTRUCTION PLATE		Program 2L31, 34 Payment system, USA, English	
9	0003	0W0F2C	432265144			D		INSTRUCTION PLATE		Program 2A01 Danish	
9	0003	0W0F2D	432265147			D		INSTRUCTION PLATE		Program 2L11 German	
9	0003	0W4288	432265115			D		INSTRUCTION PANEL		Program 2G01 Payment system, Italian	
9	0004	0W0EY4	432260311			D		TYPE PLATE		EX630c	
9	0004	0W0EYB	432260340			D		TYPE PLATE		FAS130H	
9	0004	0W2150	432260301			D		TYPE PLATE		W3130H	
9	0005	0W0EUH	432215003			D		COVER PLATE			
9	0006	0W3907	432218101			D		BRACKET			
9	0007	0W1318	732211201		S	D	+	LOCKING NUT		M4	
9	0008	0W16H4	487017820			D		SINGLE SYSTEM		AHL Danish	
9	0008	0W16H6	487017822			D		SINGLE SYSTEM		AHL Swedish	
9	0008	0W16H8	487017824			D		SINGLE SYSTEM		AHL English	
9	0008	0W16HA	487017826			D		SINGLE SYSTEM		AHL Norwegian	
9	0008	0W16HC	487017828			D		SINGLE SYSTEM		AHL Finnish	
9	0008	0W16HE	487017830			D		SINGLE SYSTEM		AHL German	
9	0009	0W0F50	432293001			D		CABLE SET		J3	
9	0010	000000	432304001							650/16409-	
9	0010	0W0F56	432294001			D		CABLE SET		-650/16408	
10	0001	0W3908	432215101			D		MOUNTING PLATE			
10	0002	0W2067	471898810			D		PRINTED CIRCUIT BOARD			
10	0003	0W3567	432215301			D		BRACKET			
10	0004	0W2299	438955511		S	D		CONTROL UNIT		230V -650/14354	
10	0004	0W3554	438956401		S	D		CONTROL UNIT		230V 650/14355-	
10	0004	0W3573	438955512		S	D		CONTROL UNIT		120V -650/14354	
10	0005	0HM479	471795802		S	D		SUPPORT			
10	0006	0W2309	471955812			D		TRANSFORMER			
10	0007	0W15YK	472991343	0W1VM6		D		CLAMP		Kit 25 pcs	
10	0008	0W2068	471886101		S	D		LEVEL MONITOR			
10	0009	0E1559	471952910			D		POWER SUPPLY FILTER		208-240V	
10	0010	0W3909	432215201			D		PROTECTION			
10	0011	0W049P	432308248			D		CABLE SET			
10	0011	0W0F7Y	432308257			D		CABLE SET		X31-X92	
10	0012	000000									
10	0013	0W0FBX	432318293			D		CABLE SET		X93	
10	0014	0W0F87	432308284			D		CABLE SET		X178-L1, N/L2	
10	0015	0W0F9P	432308704			D		CABLE SET		X20-X172	
10	0016	0W0F7C	432308227	0W0F7D		D		CABLE SET		X33-X278	
10	0017	0W0F86	432308282			D		CABLE SET		X91-L1, N/L2	
10	0018	0W0FBM	432318221			D		CABLE SET		X94-X304	
10	0019	0W0F7R	432308249			D		CABLE SET		X37-X302	
10	0020	0W0FA0	432308830			D		CABLE SET		X36-X48	
10	0021	0W0F9V	432308730	0W0F9W		D		CABLE SET		X35-X43	
10	0022	0W0F92	432308440			D		CABLE SET		X24-X301	
10	0023	0W5041	432308277		S	D		CABLE SET		X23	
10	0024	0W0F74	432308218			D		CABLE SET		X22-X40	
10	0025	0W4788	432308691			D		CABLE SET		X30	
10	0026	0W5744	432308299			D		CABLE SET		X96	
10	0027	0HM064	432308615			D		CABLE SET			
11	0001	0W4557	432216701			D		MOUNTING PLATE			
11	0002	0W2297	471898811		S	D		PRINTED CIRCUIT BOARD			
11	0003	0HM479	471795802		S	D		SUPPORT			
11	0004	0W2299	438955511		S	D		CONTROL UNIT		230V	
11	0004	0W3554	438956401		S	D		CONTROL UNIT		230V	
11	0004	0W3573	438955512		S	D		CONTROL UNIT		120V	
11	0005	0W2309	471955812			D		TRANSFORMER			
11	0006	0W15YK	472991343	0W1VM6		D		CLAMP		Kit 25 pcs	
11	0007	0W2068	471886101		S	D		LEVEL MONITOR			
11	0008	0W3935	432391001			D		PROTECTIVE COVER		Rear	
11	0009	0W3936	432390901			D		PROTECTIVE COVER		Front	
11	0010	0W0FD1	432390701			D		GROMMET			
11	0011	0W0FD2	432390801			D		GROMMET			
11	0012	0W0F7H	432308235			D		CABLE SET		-650/16408	
11	0012	0W6909	432309235			D		CABLE SET		650/16409-	
11	0013	0W0F7Z	432308258			D		CABLE SET		-650/16408	

Page	Pos.	Spare Part	Alias Code	Repl. by	S	Info	Kit	Description	Techn. Bulletin	Notes	Ref.
11	0013	0W5687	432309258			D		CABLE SET		650/16409-	
11	0014	0W4558	432318294			D		CABLE SET		-650/16408	
11	0014	0W6903	432319294			D		CABLE SET		650/16409-	
11	0015	0W0F9R	432308705			D		CABLE SET		-650/16408	
11	0015	0W0FB9	432309705			D		CABLE SET		650/16409-	
11	0016	0W0F7B	432308226			D		CABLE SET		-650/16408	
11	0016	0W0F7D	432309226			D		CABLE SET		650/16409-	
11	0017	0W0F7L	432308242			D		CABLE SET		-650/16408	
11	0017	0W0FAC	432309242			D		CABLE SET		650/16409-	
11	0018	000000									
11	0019	000000	432309236							650/16409-	
11	0019	0W6449	432308236			D		CABLE SET		-650/16408	
11	0020	0W0F9Y	432308814			D		CABLE SET		-650/16408	
11	0020	0W6910	432309814			D		CABLE SET		650/16409-	
11	0021	000000	432309716							650/16409-	
11	0021	0W0F9T	432308716			D		CABLE SET		-650/16408	
11	0022	000000	432318403							X24-X301 -650/16408	
11	0022	0W060H	432319403			D		CABLE SET		650/16409-	
11	0023	0W05VY	432309275			D		CABLE SET		650/16409-	
11	0023	0W0F83	432308275			D		CABLE SET		-650/16408	
11	0024	000000	432309204							650/16409-	
11	0024	0W0F6W	432308204			D		CABLE SET		-650/16408	
11	0025	0W6448	432308689			D		CABLE SET		-650/16408	
11	0025	0W6911	432309689			D		CABLE SET		650/16409-	
11	0026	0W5494	432309299	0W5744		D		CABLE SET		650/16409-	
11	0026	0W5744	432308299			D		CABLE SET		-650/16408	
11	0027	0W00K4	432309610			D		CABLE SET		650/16409-	
11	0027	0W0F9B	432308610			D		CABLE SET		-650/16408	
11	0028	000000								Not used	
12	0001	0W5482	432215901			D		MOUNTING PLATE			
12	0002	0W5483	432216001			D		MOUNTING PLATE			
12	0003	0W2312	471899702	0W6542		D		DISPLAY			
12	0004	000000	437713303							7G01, 1 I/O-card German 650/14355-	
12	0004	000000	438713305							7G01, 1 I/O-card Norwegian 650/14355-	
12	0004	000000	438713307							7W01 2 I/O-cards German 650/14355-	
12	0004	000000	438713310							7G01, 1 I/O-card Dutch 650/14355-	
12	0004	000000	438713313							7W01 2 I/O-cards Dutch 650/14355-	
12	0004	000000	438713314							7G02, HW, 1 I/O-card NON- HEATING,USA 650/14355-	
12	0004	000000	438713316							7G01, HW, 1 I/O-card English 650/14355-	
12	0004	000000	438713317							7G01, 1 I/O-card Finnish 650/14355-	
12	0004	000000	438713330							7W02, 2 I/O-cards NON- HEATING,USA 650/14355-	
12	0004	000000	438713332							7W01, HW, 2 I/O-cards English 650/14355-	
12	0004	000000	438716416							7W01 2 I/O-cards Danish - 650/14354	
12	0004	000000	438716417							7W01 2 I/O-cards Spanish - 650/14354	
12	0004	000000	438716418							7G03, 1 I/O-card Japanese - 650/14354	
12	0004	000000	438716420							7G01, 1 I/O-card, DBS Danish -650/14354	
12	0004	000000	438716421							7G01, 1 I/O-card, DBS German -650/14354	
12	0004	000000	438716422							7G01, 1 I/O-card, DBS Italian 650/14354	
12	0004	000000	438716423							7G01, 1 I/O-card, DBS Swedish -650/14354	
12	0004	000000	438716424							7G01, 1 I/O-card Polish - 650/14354	
12	0004	000000	438716425							7W01 2 I/O-cards, DBS German -650/14354	

Page	Pos.	Spare Part	Alias Code	Repl. by	S	Info	Kit	Description	Techn. Bulletin	Notes	Ref.
12	0004	000000	438716426							7G02, HW, 1 I/O-card USA - 650/14354	
12	0004	000000	438716427							7W02, 2 I/O-cards USA - 650/14354	
12	0004	000000	438716428							7G02, 1 I/O-card, DBS GB English -650/14354	
12	0004	000000	438716429							7W01 2 I/O-cards Dutch - 650/14354	
12	0004	000000	438716430							7W01 2 I/O-cards Polish - 650/14354	
12	0004	000000	438716431							7G01, 1 I/O-card Czech - 650/14354	
12	0004	000000	438716432							7G01, 1 I/O-card, DBS English -650/14354	
12	0004	000000	438716434							7W01 2 I/O-cards, DBS Dutch -650/14354	
12	0004	000000	438716435							7W01, HW, 2 I/O-cards English -650/14354	
12	0004	000000	438716436							7G01, 1 I/O-card, DBS Dutch -650/14354	
12	0004	000000	438716437							7W01 2 I/O-cards, DBS Danish -650/14354	
12	0004	000000	438716438							7G02, 1 I/O-card NON-HEATING,USA -650/14354	
12	0004	000000	438716439							7W01 2 I/O-cards, DBS French -650/14354	
12	0004	000000	438773304							7G01, 1 I/O-card Spanish 650/14355-	
12	0004	000000	438773306							7G01, 1 I/O-card French 650/12500-	
12	0004	000000	438773312							7G01, 1 I/O-card Danish 650/14355-	
12	0004	0W01EX	438716433			D		CPU-CARD		7W01 2 I/O-cards Norwegian - 650/14354	
12	0004	0W01PG	438713321	0W1VPK		D		CPU CARD		7W01 2 I/O-cards Italian 650/14355-	
12	0004	0W01Z8	438713315	0W1VPK		D		CPU CARD		7W01 2 I/O-cards French 650/14355-	
12	0004	0W03W2	438713301	0W1VPK		D		CPU CARD		7G01, 1 I/O-card Swedish 650/14355-	
12	0004	0W03ZA	438713311	0W1VPK		D		CPU CARD		7G02, 1 I/O-card GB English 650/14355-	
12	0004	0W059T	438713318	0W1VPK		D		CPU CARD		7G03, 1 I/O-card Japanese 650/14355-	
12	0004	0W05DA	438713309	0W1VPK		D		CPU CARD		7W01 2 I/O-cards English 650/14355-	
12	0004	0W061M	438713319	0W1VPK		D		CPU CARD		7W01 2 I/O-cards Finnish 650/14355-	
12	0004	0W0J1W	438713302	0W1VPK		D		PRINTED CIRCUIT BOARD		7G01, 1 I/O-card English 650/14355-	
12	0004	0W0J1Y	438713328	0W1VPK		D		PRINTED CIRCUIT BOARD		7W01 2 I/O-cards Norwegian 650/14355-	
12	0004	0W0JBF	438716401			D		PRINTED CIRCUIT BOARD		7G01, 1 I/O-card Swedish - 650/14354	
12	0004	0W0JBG	438716402			D		PRINTED CIRCUIT BOARD		7G01, 1 I/O-card English - 650/14354	
12	0004	0W0JBH	438716403			D		PRINTED CIRCUIT BOARD		7G01, 1 I/O-card German - 650/14354	
12	0004	0W0JBJ	438716404			D		PRINTED CIRCUIT BOARD		7G01, 1 I/O-card Spanish - 650/14354	
12	0004	0W0JBK	438716405			D		PRINTED CIRCUIT BOARD		7G01, 1 I/O-card Norwegian - 650/14354	
12	0004	0W0JBL	438716406			D		PRINTED CIRCUIT BOARD		7G01, 1 I/O-card French - 650/14354	
12	0004	0W0JBM	438716407			D		PRINTED CIRCUIT BOARD		7G01, 1 I/O-card Danish - 650/14354	
12	0004	0W0JBN	438716408			D		PRINTED CIRCUIT BOARD		7W01 2 I/O-cards French - 650/14354	
12	0004	0W0JBP	438716410			D		PRINTED CIRCUIT BOARD		7W01 2 I/O-cards German - 650/14354	

Page	Pos.	Spare Part	Alias Code	Repl. by	S	Info	Kit	Description	Techn. Bulletin	Notes	Ref.
12	0004	0W0JBR	438716412			D		PRINTED CIRCUIT BOARD		7W01 2 I/O-cards English - 650/14354	
12	0004	0W0JBS	438716413			D		PRINTED CIRCUIT BOARD		7G01, 1 I/O-card Finnish - 650/14354	
12	0004	0W0JBT	438716414			D		PRINTED CIRCUIT BOARD		7G01, 1 I/O-card Dutch - 650/14354	
12	0004	0W0JBU	438716415			D		PRINTED CIRCUIT BOARD		7G02, 1 I/O-card GB English - 650/14354	
12	0004	0W0JBV	438716419			D		PRINTED CIRCUIT BOARD		7W01 2 I/O-cards Finnish - 650/14354	
12	0004	0W1698	471899301	0W1VPJ		D		PRINTED CIRCUIT BOARD		Not configured	
12	0004	0W2318	438716411			D		PRINTED CIRCUIT BOARD		7G01, 1 I/O-card Italian - 650/14354	
12	0004	0W4598	438713308	0W1VPK		D		PRINTED CIRCUIT BOARD		7G01, 1 I/O-card Italian 650/14355-	
12	0004	0W6822	438716409			D		PRINTED CIRCUIT BOARD		7W01 2 I/O-cards Italian - 650/14354	
12	0005	0E3662	438029901			D		SPACER			
12	0006	0W2299	438955511		S	D		CONTROL UNIT		230V -650/14354	
12	0006	0W3554	438956401		S	D		CONTROL UNIT		230V 650/14355-	
12	0006	0W3573	438955512		S	D		CONTROL UNIT		120V -650/14354	
12	0007	0HM479	471795802		S	D		SUPPORT			
12	0008	0W1700	471879201			D		TRANSFORMER			
12	0009	0E2697	471875011		S	D		FUSE		1,25A	
12	0010	0W15YK	472991343	0W1VM6		D		CLAMP		Kit 25 pcs	
12	0011	0W2068	471886101		S	D		LEVEL MONITOR			
12	0012	0W0EUV	432216101			D		COVER			
12	0013	0W1702	471899501	0W4962		D		CIRCUIT CARD		I/O-card Configured	
12	0014	0E3661	471899502		S	D		PRINTED CIRCUIT BOARD		I/O-card Configured	
12	0015	0W2069	471879301		S	D		CARD READER			
12	0016	0E3624	432015001		S	D		BRACKET			
12	0017	0W5137	432014901		S	D		RUBBER CAP			
12	0018	0W5485	432216202			D		PROTECTIVE COVER			
12	0019	0W0F9K	432308692			D		CABLE SET		A11X5 -650/16408	
12	0019	0W0FB6	432309692			D		CABLE SET		650/16409-	
12	0020	000000								Ø3,5	
12	0021	000000								Ø6,5	
12	0022	0W0F9X	432308792			D		CABLE SET		-650/16408	
12	0022	0W5486	432309792			D		CABLE SET		650/16409-	
12	0023	0W4789	432308515			D		CABLE SET		-650/16408	
12	0023	0W4798	432309515			D		CABLE SET		650/16409-	
12	0024	0W0F92	432308440			D		CABLE SET		A1X4-X301	
12	0025	0W5041	432308277		S	D		CABLE SET		A1X1-Temp. sensor	
12	0026	0W5488	432298101			D		CABLE SET			
12	0027	000000	432308775							A11X3-X172	
12	0028	0W0F7K	432308241			D		CABLE SET		-650/16408	
12	0028	0W5490	432309241			D		CABLE SET		650/16409-	
12	0029	0W0F80	432308259			D		CABLE SET		-650/16408	
12	0029	0W5491	432309259			D		CABLE SET		650/16409-	
12	0030	0W049P	432308248			D		CABLE SET		X90-X45	
12	0031	0W0F77	432308221			D		CABLE SET		X94-X304	
12	0032	0W0FBX	432318293			D		CABLE SET		X93	
12	0033	0W0F7X	432308256			D		CABLE SET		-650/16408	
12	0033	0W4803	432309256			D		CABLE SET		650/16409-	
12	0034	0W0F8L	432308330			D		CABLE SET		A11X7-X49 -650/16408	
12	0034	0W0FAP	432309330			D		CABLE SET		650/16409-	
12	0035	0W0F71	432308215			D		CABLE SET		A11X8-X47 -650/16408	
12	0035	0W0FA7	432309215			D		CABLE SET		650/16409-	
12	0036	0W0F9U	432308720			D		CABLE SET		A11X9-X48 -650/16408	
12	0036	0W0FBA	432309720			D		CABLE SET		650/16409-	
12	0037	0W0F7R	432308249			D		CABLE SET		A11X10-X302	
12	0038	0W0F7M	432308243			D		CABLE SET		A11X11-X42 -650/16408	
12	0038	0W0FAD	432309243			D		CABLE SET		650/16409-	
12	0039	0W0F98	432308525			D		CABLE SET		A11X14-X43 -650/16408	
12	0039	0W0FAZ	432309525			D		CABLE SET		650/16409-	
12	0040	0W0F8W	432308416			D		CABLE SET		A11X15-X41 -650/16408	
12	0040	0W0FAW	432309416			D		CABLE SET		650/16409-	
12	0041	0W0F74	432308218			D		CABLE SET		A11X16-3-X40	
12	0042	0E3662	438029901			D		SPACER			
12	0043	0W0F89	432308290			D		CABLE SET		X96	
12	0044	0W0F95	432308504			D		CABLE SET		-650/16408	

Page	Pos.	Spare Part	Alias Code	Repl. by	S	Info	Kit	Description	Techn. Bulletin	Notes	Ref.
12	0044	0W6467	432309504			D		CABLE SET		650/16409-	
12	0045	0W0F72	432308216			D		CABLE SET		A12X4-X63 -650/16408	
12	0045	0W0FA8	432309216			D		CABLE SET		650/16409-	
12	0046	0W0F7S	432308250			D		CABLE SET		A12X6-X69 -650/16408	
12	0046	0W0FAG	432309250			D		CABLE SET		650/16409-	
12	0047	0W0F8M	432308332			D		CABLE SET		A12X7-X66 -650/16408	
12	0047	0W0FAR	432309332			D		CABLE SET		650/16409-	
12	0048	0W0F73	432308217			D		CABLE SET		A12X8-X65 -650/16408	
12	0048	0W0FA9	432309217			D		CABLE SET		650/16409-	
12	0049	0W04Y9	432308832			D		CABLE SET		A12X9-X62 -650/16408	
12	0049	0W0FBC	432309832			D		CABLE SET		650/16409-	
12	0050	0W0FBH	432318202			D		CABLE SET		-650/16408	
12	0050	0W0FBY	432319202			D		CABLE SET		650/16409-	
12	0051	0W0F99	432308527			D		CABLE SET		A12X14-X61 -650/16408	
12	0051	0W0FB0	432309527			D		CABLE SET		650/16409-	
12	0052	0W0F8X	432308425			D		CABLE SET		A12X15-X60 -650/16408	
12	0052	0W0FAX	432309425			D		CABLE SET		650/16409-	
12	0053	0W4618	432309270		S	D		CABLE SET		X95	
13	0001	0W0EP7	432202501			D		FRONT PANEL			
13	0002	0W2505	432275001		S	D		CONTROL PANEL			
13	0003	000000	432263010							Polish	
13	0003	0HM060	432263001			D		INSTRUCTION PLATE		Swedish	
13	0003	0HN468	432263009			D		INSTRUCTION PLATE		Spanish	
13	0003	0W0F00	432263003	0W2509		D		INSTRUCTION PLATE		Japanese	
13	0003	0W0F01	432263004			D		INSTRUCTION PLATE		German	
13	0003	0W0F03	432263006			D		INSTRUCTION PLATE		Danish	
13	0003	0W2509	432263002			D		INSTRUCTION PLATE		English, Italian	
13	0004	000000	432260322							W3130H Woolmark	
13	0004	0W0EY4	432260311			D		TYPE PLATE		EX630c	
13	0004	0W2150	432260301			D		TYPE PLATE		W3130H	
13	0005	0W2344	471962832			A		EMERGENCY STOP			
13	0006	0HM622	471962833		S	D	+	CONTACT BLOCK			
13	0007	0W0FBU	432318261			D		CABLE SET		-650/16408	
13	0007	0W5479	432319261			D		WIRING HARNESS		650/16409-	
13	0008	0W0FBV	432318272			D		CABLE SET		-650/16408	
13	0008	0W5481	432319278			D		CABLE SET		650/16409-	
13	0009	0W0FBW	432318278			D		CABLE SET		-650/16408	
13	0009	0W5481	432319278			D		CABLE SET		650/16409-	
13	0010	000000									
14	0001	0E3743	471977701			D		FREQUENCY CONVERTER		200-240V Complete - 650/14354	
14	0001	0W4312	471978301	0W6434		D		PCB; MOTOR CONTROL		200-240V Complete 650/14355-	
14	0002	0HM522	471876802		S	D		FUSE		15A	
14	0003	000000								See motor	
14	0004	0W0K8V	438979902	0W225K		D		CLAMP			
14	0005	0W0K8U	438979901	0W7052		D		COVER			
14	0006	0W3876	432296001			D		CABLE SET		Main switch	
14	0006	0W6095	432296004			D		CABLE SET		1AC Terminal block	
15	0001	0W0EUP	432215401			D		MOUNTING PLATE			
15	0002	0E1743	471963511	0E3751		D		CONTACTOR		50Hz 400-415V	
15	0002	0W2702	471963510		S	D		CONTACTOR		60Hz 400-415V	
15	0003	0HM157	438967814		S	D		HOVEDBRYTER		4-pole, 70A	
15	0003	0W2072	438967811		S	D		HOVEDBRYTER		4-pole, 30A	
15	0003	0W2537	438967802			D		HOVEDBRYTER		3-pole, 40A	
15	0004	0W2519	471876701			D		BLOCK			
15	0005	0W0YE6	471785912		S	D		CLAMP		Lower part	
15	0006	0W5427	471785916		S	D		CLAMP		Upper part	
15	0007	0W2075	438878502			D		PRINTED CIRCUIT BOARD		Exacta	
15	0007	0W2076	438878602		S	D		PRINTED CIRCUIT BOARD		Clarus	
15	0008	0E2697	471875011		S	D		FUSE		1,25A	
15	0009	0HM479	471795802		S	D		SUPPORT			
15	0010	0W2078	438878701			D		PRINTED CIRCUIT BOARD		Clarus	
15	0011	0E1603	471875901		S	D		TERMINAL BOARD			
15	0012	0W0Z3U	471875951			D		COVER			
15	0013	0W2074	471957302			D		RECTIFIER			
15	0014	0W0EUS	432215602	0W22S8		D		SPLICE		Without hole	
15	0014	0W3584	432215601	0W6585		D		COVER		With hole	
15	0015	0W2073	471967894		S	D		KNOB			
15	0016	0W0F5S	432296003			D		CABLE SET		3AC	
15	0017	0E3236	762121510			D		GROMMET		Ø48/35mm	

Page	Pos.	Spare Part	Alias Code	Repl. by	S	Info	Kit	Description	Techn. Bulletin	Notes	Ref.
15	0018	0E3236	762121510			D		GROMMET		Ø48/35mm	
15	0019	0E0520	762118210			D		GROMMET		Ø22,2MM	
15	0020	0W6432	432308286			D		CABLE SET		X44-L1, N/L2 -650/16408	
15	0020	0W6432	432309286			D		CABLE SET		650/16409-	
15	0021	0W6511	432318252			D		CABLE SET		X46 -650/16408	
15	0021	0W6915	432319252			D		CABLE SET		650/16409-	
15	0022	0W0F5K	432295403			D		CABLE SET		415/240V 3/1AC	
15	0022	0W6916	432295401			D		CABLE SET		400V	
15	0023	000000	432297501							Marine, transformer T2 - 650/16408	
15	0023	0W1ULN	432307501			D		CABLE SET		650/16409-	
15	0023	0W3926	432298601			D		CABLE SET		-650/16408	
15	0023	0W6431	432310601			D		CABLE SET		650/16409-	
15	0024	0W6951	432298401			D		CABLE SET			
15	0025	0W0F5L	432295411			D		CABLE SET		400V	
15	0025	0W6952	432295413			D		CABLE SET		230V	
15	0026	0W3884	438879701		S	D		PRINTED CIRCUIT BOARD			
15	0027	0E2697	471875011		S	D		FUSE		1,25A	
15	0028	0W6616	438795002			D		COVER WASHER		14-pole	
15	0029	0W6617	438795001			D		COVER WASHER		4-pole	
15	0030	0W0F58	432294501			D		CABLE SET		-650/16408	
15	0030	0W0F6T	432304501			D		CABLE SET		650/16409-	
15	0031	0W0F7A	432308225			D		CABLE SET		X44-X144 -650/16408	
15	0031	0W6917	432309225			D		CABLE SET		650/16409-	
16	0001	0E1362	438005603		S	D		NIPPLE		Black, 3/4"	
16	0001	0W2638	438005604		S	D		NIPPLE		White, 3/4", USA	
16	0002	0W1342	471869321		S	D		FILTER			
16	0003	0E1579	471819901		S	D		GASKET			
16	0004	0E1925	471868813		S	D		NIPPLE		1/8"	
16	0005	0W4616	741510925		S	D		PLUG		El-drain	
16	0006	0W4615	740420600		S	D		O-RING		El-drain	
16	0007	0E2370	472676101	0W1VZF		D		COVER WASHER			
16	0008	0W2061	432230101		S	D		SIPHON BREAKER			
16	0009	072366	471817501		S	D		PLUG			
16	0010	0E1120	471864402		S	D		PLUG; FOR WASH ARM			
16	0011	0W2144	432230601		S			HOSE			
16	0012	0E1354	736284651		S	D		HOSE CLAMP		Ø73-83	
16	0013	0HM472	471787104		S	D		HOSE CLAMP			
16	0014	000000								Not used	
16	0015	000000								Not used	
16	0016	072365	877521108		S	D		HOSE		Per 1 m	
16	0017	0E0467	736281651		S	D		HOSE CLAMP		Ø13-19	
16	0018	0E1164	471479201		S	D		ASSEMBLING TOOL			
16	0019	0HN230	762910205			D		CABLE TIE			
17	0001	0E2030	471686018		S	D		COIL		208-240V Green	
17	0001	0E2031	471686019		S	D		COIL		208-240V Orange	
17	0001	0E2032	471686020		S	D		COIL		208-240V White	
17	0001	0W0YPW	471823678		S	D		VALVE		3-way US	
17	0001	0W2058	471823676		S	D		VALVE		3-way	
17	0002	000000									
17	0003	0W0F9H	432308680			D		CABLE SET		X53:H- -650/16408	
17	0003	0W1W9H	432309680			D		HARNESS 6-POL		650/16409-	
17	0003	0W1ZRV	432309681					LEDNINGSSATS		650/16409-	
17	0003	0W5676	432308681			D		CABLE SET		X53:F- -650/16408	
18	0001	0E2030	471686018		S	D		COIL		208-240V Green	
18	0001	0E2031	471686019		S	D		COIL		208-240V Orange	
18	0001	0E2032	471686020		S	D		COIL		208-240V White	
18	0001	0W0YPW	471823678		S	D		VALVE		3-way US	
18	0001	0W2058	471823676		S	D		VALVE		3-way	
18	0002	0E2030	471686018		S	D		COIL		208-240V Green	
18	0002	0E2031	471686019		S	D		COIL		208-240V Orange	
18	0002	0E2032	471686020		S	D		COIL		208-240V White	
18	0002	0W0VWK	471686015			D		COIL		120V Green	
18	0002	0W0VWL	471686016			D		COIL		120V Orange	
18	0002	0W0VWM	471686017			D		COIL		120V White	
18	0002	0W0YR6	471824090			D		COIL		120V Grey	
18	0002	0W2059	471824064		S	D		VALVE		4-way	
18	0002	0W3924	471824091			D		COIL		208-240V Grey	
18	0002	0W6975	471824068		S	D		VALVE		4-way US	
18	0003	000000									
18	0004	0W04EX	432309871			D		CABLE SET		650/16409-	

Page	Pos.	Spare Part	Alias Code	Repl. by	S	Info	Kit	Description	Techn. Bulletin	Notes	Ref.
18	0004	0W0F9H	432308680			D		CABLE SET		X53:H- -650/16408	
18	0004	0W0FA3	432308871			D		CABLE SET		X53:F- -650/16408	
18	0004	0W1W9H	432309680			D		HARNES 6-POL		650/16409-	
19	0001	0W2055	432250201		S	A		DRAIN VALVE			
19	0002	0W1238	438005101			D		LOWER FRAME			
19	0003	0W0451	471819501		S	D		DIAPHRAGM			
19	0004	0W0288	438005401			D		PISTON			
19	0005	0W0287	438005301			D		HOUSING			
19	0006	0W0289	438005501			D		GLAND			
19	0007	0W0286	438005201			D		COVER			
19	0008	0W0440	471780107		S	D		SPRING			
19	0009	0W2056	432250501			D		HOSE HOUSING			
19	0010	0W2057	432250101		S	D		UPPER FRAME			
19	0011	0HM472	471787104		S	D		HOSE CLAMP			
19	0012	0E1925	471868813		S	D		NIPPLE		1/8"	
19	0013	0K8947	734115309			D	+	WASHER		BRB 6,4X12	
19	0014	0W6244	732211642		S	D		LOCKING NUT		M6	
20	0001	0W2055	432250201		S	A		DRAIN VALVE			
20	0002	0W2399	471813911		S	D		HOSE		L=1900	
20	0003	0E3723	471824305		S	D		SOLENOID VALVE		208-240V 60Hz -650/8829	
20	0003	0W2063	471824304		S	D		SOLENOID VALVE		230V 50Hz -650/8829	
20	0003	0W3922	471824307		S	D		SOLENOID VALVE		230V 50Hz 650/8830-	
20	0003	0W4424	471824308		S	D		SOLENOID VALVE		208-240V 60Hz 650/8830-	
20	0003	0W5226	471824306		S	D		SOLENOID VALVE		120V 60Hz -650/8829	
20	0003	0W6851	471824309		S	D		SOLENOID VALVE		120V 60Hz 650/8830-	
20	0003	0W6852	471824310		S	D		SOLENOID VALVE		230V 50/60Hz Japan 650/8830-	
20	0004	0E1366	471813901		S	D		HOSE		L=330 -650/8829	
20	0004	0W6620	438810206		S	D		HOSE		L=330 650/8830-	
20	0005	0E1366	471813901		S	D		HOSE		L=330	
20	0006	0W2413	432251602		S	D		HOSE			
20	0007	0W2401	432251101		S	D		DRAIN PIPE CONNECTION			
20	0008	0E2022	471787107		S	D		HOSE CLAMP			
20	0009	0K8983	736284051	046855				HOSE CLAMP		Ø50-63	
20	0010	0W2425	432252103	0W1Y23		D		HOSE			
20	0011	072583	736283751		S	D		HOSE CLAMP		Ø48-54	
20	0012	072583	736283751		S	D		HOSE CLAMP		Ø48-54	
20	0013	0HM056	432250802		S	D		HOSE			
20	0014	0W2145	432250701		S	D		AIR TUBE			
20	0015	0W2443	432250601		S	D		CONNECTION			
20	0016	0E1368	471243608	0W02B5		D		HOSE		L=1150	
20	0017	0E0521	471226569		S	D		T-PIPE			
20	0018	0W0338	471244242	0W02B5		D		HOSE		L=120 Clarus	
20	0018	0W2383	471244995	0W02B5		D		HOSE		L=100 Exacta	
20	0019	0E0883	471246418	0W02B5		D		HOSE		L=280 Clarus	
20	0019	0W0YGZ	471811802	0W02B5		D		HOSE		L=60 Exacta	
20	0020	0W0YEE	471787302			D		CABLE TIE			
20	0021	0W5670	432318241			D		CABLE SET		X50	
20	0022	0W2384	471812859		S	D		HOSE			
20	0023	0K8983	736284051	046855				HOSE CLAMP		Ø50-63	
20	0024	0W2385	471812402			D		HOSE			
20	0025	072392	736283151		S	D		HOSE CLAMP		Ø36-42	
20	0026	0E1166	736282551		S	D		HOSE CLAMP		Ø32	
20	0027	0W6621	471788701		S	D		CLIP			
20	0028	0E0913	471483501		S	D		DRAIN HOSE		Ø75	
20	0029	000000									
20	0030	000000									
21	0001	0E0450	471821501		S	D		DRAIN VALVE		50/60Hz	
21	0002	0W4761	432254801		S	D		COVER			
21	0003	0W5672	432253101		S	D		MOUNTING PLATE			
21	0004	0W5673	432253701			D		SUPPORT			
21	0005	0W4912	432251604		S	D		HOSE			
21	0006	0E2022	471787107		S	D		HOSE CLAMP			
21	0007	0E1354	736284651		S	D		HOSE CLAMP		Ø73-83	
21	0008	0W4841	432253401		S	D		MOUNTING PLATE			
21	0009	0W0EXF	432251801			D		HOSE			
21	0010	0W4181	432290302			D		CABLE SET		-650/16408	
21	0010	0W4842	432298210			D		GROUND CABLE			
21	0010	0W5675	432300302			D		CABLE SET		650/16409-	
22	0001	0W2268	432163101		S	D		STEAM INJECTOR			
22	0002	0W2269	471812627		S	D		FLEXIBLE STEAM PIPE			

Page	Pos.	Spare Part	Alias Code	Repl. by	S	Info	Kit	Description	Techn. Bulletin	Notes	Ref.
27	0011	0W0JTZ	438815901		S	D		RUBBER BUFFER			
27	0012	0W2307	438815601		S	D		FOOT		M10	
27	0013	0W2308	432145801		S	D		BUSH			
27	0014	0W0YX2	471841301		S	D		NUT		M20	
27	0015	0E2340	471819601		S	D		PLUG			
27	0016	0W1WXY	432149901			D		FILTER HOLDER			
27	0017	0W0PJL	471797301			D		FILTER NET			
27	0018	0W0YEW	471795101			D		HANDLE			
27	0019	000000	432065602							60Hz Complete See illustr. 101975	
27	0019	0W1UNL	432065601			D		ELECTRIC CABINET		50Hz Complete See illustr. 101975	
27	0020	0E2530	762120910			D		UPPER FRAME			
28	0001	000000	432149801							Complete	
28	0002	0W0HHF	438520201			D		DOOR			
28	0003	000000	438522201								
28	0004	0W0YUF	471832001	0W5803		D		SCREW		M6X12	
28	0005	0K8947	734115309			D	+	WASHER		BRB 6,4X12	
28	0006	0E0553	732311614			D		NUT		M6	
28	0007	000000	438521301								
28	0008	000000	438521401								
28	0009	000000	438521201								
28	0010	0W0HHG	438521501			D		GASKET			
28	0011	000000	438521402								
28	0012	000000	438521601								
28	0013	0W0YVN	471834422			D		SCREW		MRT 5X8	
28	0014	0E1175	732211492			D		LOCKING NUT		M5	
28	0015	000000	438521701								
28	0016	0W0YF4	471796204			D		HANDWHEEL			
28	0017	000000	438484801								
28	0018	0W4718	471832005			D		SCREW		M6X20	
28	0019	0W1T4S	740420700	0W4615		D		O-RING			
28	0020	000000	471797201								
28	0021	0W0HA7	438484501			D		GASKET			
28	0022	000000	438484601								
28	0023	0W0HA6	438484401			D		GLASS			
28	0024	000000	438484701								
28	0025	0W1ZGL	734115349			D		BRICKA		6,4	
28	0026	0E0553	732311614			D		NUT		M6	
28	0027	0E0450	471821501		S	D		DRAIN VALVE		50/60Hz	
28	0028	0E0714	471675358			D		MOTOR		50/60Hz With gear	
28	0029	0W0YND	471823101			D		DRAIN VALVE			
28	0030	000000									
28	0031	0W04VB	471861001			D		PIPE			
28	0032	0W1UWM	471861101			D		TERMINAL CONNECTION			
28	0033	0W0YJ0	471812853			D		HOSE			
28	0034	0E1354	736284651		S	D		HOSE CLAMP		Ø73-83	
28	0035	0W0YZE	471861402			D		HOSE NIPPLE		R3/4"	
28	0036	072455	471903035			D		ELBOW PIPE		3/4"	
28	0037	0W1VSV	432251102			D		DRAIN PIPE CONNECTION			
28	0038	0W0PK7	471467083			D		PUMP		60Hz	
28	0038	0W6304	471466018			D		PUMP		50Hz	
28	0039	0HN500	471920910			D		BUSHING			
28	0040	0W1T16	736282590			D		HOSE CLAMP			
28	0041	0E0297	471685882		S	D		DRAIN HOSE			
28	0042	0E1166	736282551		S	D		HOSE CLAMP		Ø32	
28	0043	0W0YRE	471824701			D		VALVE			
28	0044	072398	471862301		S	D		CONNECTION		1/2"	
28	0045	0W0YKF	471815906		S	D		GASKET			
28	0046	0E1465	741111320			D		NUT			
28	0047	0E1540	471241683			D		HOOD			
28	0048	0E1166	736282551		S	D		HOSE CLAMP		Ø32	
29	0001	0E3633	471988302			D		NOZZLE			
29	0002	0K8992	740420900		S	D		O-RING			
29	0003	0W3581	471988401			D		MUFF			
29	0004	0W0Z18	471869033			D		CONNECTION			
29	0005	0E3636	471814301			D		TUBE		L=3000	
29	0006	0E3637	762111610			D		GROMMET			
29	0007	0E3638	471868814			D		NIPPLE			
29	0008	0W3575	471863620			D		NIPPLE			
29	0009	0W2685	438412501			D		FILTER			

Page	Pos.	Spare Part	Alias Code	Repl. by	S	Info	Kit	Description	Techn. Bulletin	Notes	Ref.
29	0010	0E3641	471869028			D		ANGLE CONNECTOR			
29	0011	0W0PKU	471467208			D		SIGN			
29	0012	0W0EXC	432231001			D		MOUNTING PLATE			
29	0013	0HM510	471834211			D		SCREW		MRT-TT 4X6	
30	0001	0HM050	432218501			D		BRACKET			
30	0002	0W4290	472991321			D		COIN METER ACCESSORY			
30	0003	000000	438891062							KRW 500	
30	0003	000000	438891801							2 Coins, 1+20 DKR	
30	0003	000000	438891805							W0568 1 Coin, 1 DKR	
30	0003	000000	438891806							2 Coins, 2+5 DKR	
30	0003	000000	438891807							2 Coins 2+10 DKR	
30	0003	000000	438891809							TOKEN Ø26.35x1.85	
30	0003	000000	438891810							1 Coin, 10 SEK	
30	0003	000000	438891812							TOKEN MIELE, Coin no. 1699370	
30	0003	000000	438891814							2 Coins, 1+10 NOK	
30	0003	000000	438891815							TOKEN MENCH Ø16.55x2.55	
30	0003	000000	438891817							1 Coin, 1 MYR	
30	0003	000000	438891819							1 Coin, 1 IEP	
30	0003	000000	438891820							1 Coin, 1 HKD	
30	0003	000000	438891821							2 Coins, 1+0.25 USD	
30	0003	000000	438891832							1 Coin, 1 NOK	
30	0003	000000	438891835							2 Coins, 1+10 NOK	
30	0003	000000	438891836							2 Coins, 5+10 NOK	
30	0003	000000	438891837							2 Coins, 10+50 TWD	
30	0003	000000	438891838								
30	0003	000000	438891839							2 Coins, 10+20 NOK	
30	0003	000000	438891840							1 AED	
30	0003	0HM155	438891822			D		COIN METER		2 Coins, 1 Euro + 20 Cent	
30	0003	0W01YG	438891813			D		COIN METER		1 Coin, 10 NOK	
30	0003	0W02G7	438891818			D		COIN METER		2 Coins, 0.2+1 AUD	
30	0003	0W0JVD	438891816			D		COIN METER		2 Coins, 1+2 AUD	
30	0003	0W0JVE	438891823			D		COIN METER		2 Coins, 0,10+0,50 Euro	
30	0003	0W0JVF	438891824			D		COIN METER		2 Coins, 0,20+2 Euro	
30	0003	0W0JVG	438891825			D		COIN METER		1 Coin, 0,10 Euro	
30	0003	0W0JVH	438891826			D		COIN METER		0,20 Euro	
30	0003	0W0JVJ	438891827			D		COIN METER		0,50 Euro	
30	0003	0W0JVK	438891829			D		COIN METER		2 Euro	
30	0003	0W0JVL	438891830			D		COIN METER		1 Coin, 1 SEK	
30	0003	0W0JVM	438891834			D		COIN METER		2 Coins, 1+5 NOK	
30	0003	0W4348	438891833			D		COIN METER		2 Coins, 0.5+1 Euro	
30	0003	0W6034	438891828			D		COIN METER		1 Euro	
30	0004	0W5804	438891091			D		SENSOR			
30	0005	0HM543	471891090		S	D	+	SCREW			
30	0006	0W5268	731231201		S	D	+	NUT		M4	
30	0007	000000								Complete Included in pos 2	
30	0008	000000									
30	0009	0W6127	432220401			D		COVER			
30	0010	0HM469	471781701		S	D		LOCK			
30	0011	0W4292	438879001			D		PRINTED CIRCUIT BOARD			
30	0012	0HM479	471795802		S	D		SUPPORT			
30	0013	0HM064	432308615			D		CABLE SET		-650/16408	
30	0013	0W4291	432309615			D		CABLE SET		650/16409-	
31	0001	0HM050	432218501			D		BRACKET			
31	0002	0W4290	472991321			D		COIN METER ACCESSORY			
31	0003	000000	438891601							1 Coin, 1 SEK	
31	0003	000000	438891602							TOKEN Ø23.5x1.7	
31	0003	000000	438891604							2 Coins, 10+50 new pence GB	
31	0003	000000	438891605							2 Coins, 5+1 DKR	
31	0003	000000	438891608							2 Coins, 0.2+0.5 GBP	
31	0003	000000	438891610							1 Coin, 50 new cent Singapore	
31	0003	000000	438891611							2 Coins, 1+5 DKR	
31	0003	000000	438891612							TOKEN Ø22.5x1.5	
31	0003	000000	438891614							TOKEN Ø22,0X1,5	
31	0003	000000	438891616							TOKEN Ø19,0X1,0	
31	0003	000000	438891618							1 Coin, 10 TWD	
31	0003	000000	438891621							1 Coin, 5 SEK	
31	0003	000000	438891622							2 Coins, 1+10 DKR	

Page	Pos.	Spare Part	Alias Code	Repl. by	S	Info	Kit	Description	Techn. Bulletin	Notes	Ref.
31	0003	000000	438891623							TOKEN Ø25.0x1.8	
31	0003	000000	438891625							TOKEN Ø26.0x2.1	
31	0003	000000	438891627							2 Coins, 100+500 YEN	
31	0003	000000	438891629							1 Coin, 20 pence GB	
31	0003	000000	438891630							1 Coin, 25 cent USA	
31	0003	000000	438891631							1 Coin, 1 HKD	
31	0003	000000	438891634							2 Coins, 10+50 pence GB	
31	0003	000000	438891635							2 Coins, 1+10 NKR	
31	0003	000000	438891636							1 Coin, 500 KRW	
31	0003	000000	438891637							2 Coins, 0,2+1 AUD	
31	0003	000000	438891638							2 Coins, 1+5 DKR	
31	0003	000000	438891639							2 Coins, 1+10 DKR	
31	0003	000000	438891640							2 Coins, 2+5 DKR	
31	0003	000000	438891641							2 Coins, 2+10 DKR	
31	0003	000000	438891644							2 Coins, 0,5+1 GBP	
31	0003	000000	438891649							1 Coin, 20 Korung CZ	
31	0003	000000	438891650							1 Coin, 5 DM	
31	0003	000000	438891651							2 Coins, 1+5 ILS	
31	0003	000000	438891652							Token Ø28.1x1.65	
31	0003	000000	438891653							2 Coins, 1+10 NKR	
31	0003	000000	438891655							2 Coins, 2+5 ZAR	
31	0003	000000	438891657							1 Coin, 1 SGD	
31	0003	000000	438891658							2 Coins, 2+5 ZAR	
31	0003	000000	438891660							2 Coins, 5+1 HKD	
31	0003	000000	438891664							Token Ø20.0x2.0	
31	0003	000000	438891665							1 Coins, 1 HKD	
31	0003	000000	438891666							2 Coins, 1+0.25 USD	
31	0003	000000	438891902							2 Coins, JPY 100+news 500	
31	0003	0W01JC	438891659			D		COIN METER		2 Coins, 1+2 AUD	
31	0003	0W04KT	438891648			D		COIN METER		2 Coins, 10+50 TWD	
31	0003	0W0JUR	438891603			D		COIN METER		TOKEN Ø24,3x1,5	
31	0003	0W0JUS	438891606			D		COIN METER		TOKEN Ø23.7x1.6	
31	0003	0W0JUT	438891613			D		COIN METER		TOKEN Ø27.0x1.6	
31	0003	0W0JUJ	438891617			D		COIN METER		TOKEN Ø22.35x1.6	
31	0003	0W0JUV	438891619			D		COIN METER		2 Coins, 0,2 + 1 GBP	
31	0003	0W0JUW	438891620			D		COIN METER		2 Coins, 1+5 NKR	
31	0003	0W0JUX	438891624			D		COIN METER		TOKEN Ø25.8x1.7	
31	0003	0W0JUY	438891626	0W1USF		D		COIN METER		1 Coin, 100 YEN	
31	0003	0W0JUZ	438891642			D		COIN METER		1 Coin, 50 cent Malaysia	
31	0003	0W0JV0	438891645			D		COIN METER		1 Coin, 1 GBP	
31	0003	0W0JV1	438891647	0W1WAG		D		COIN METER		TOKEN Ø19.0x1.5	
31	0003	0W0JV2	438891663			D		COIN METER		TOKEN Ø24,3x1,5	
31	0003	0W0JV3	438891667			D		COIN METER		2 Coins, 0,1+0,5 Euro	
31	0003	0W0JV4	438891668			D		COIN METER		2 Coins, 0,2+2 Euro	
31	0003	0W0JV5	438891669			D		COIN METER		1 Coin, 1 EUcent	
31	0003	0W0JV6	438891670			D		COIN METER		1 Coin, 20 EUcent	
31	0003	0W0JV7	438891673			D		COIN METER		1 Coin, 2 Euro	
31	0003	0W0JV8	438891675			D		COIN METER		1 Coin, CYP 0.5	
31	0003	0W0JV9	438891676			D		COIN METER		Token 32x2	
31	0003	0W0JVA	438891677			D		COIN METER		2 Coins, 0,2+1 Euro	
31	0003	0W0JVB	438891678			D		COIN METER		1 Coin, 1MYR	
31	0003	0W0JVN	438891901		S	D		COIN METER		2 Coins, JPY 100+500	
31	0003	0W1W42	438891656			D		COIN METER		2 Coins 0,5+1 MYR	
31	0003	0W2495	438891609			D		COIN METER		TOKEN Ø25.0x2.0	
31	0003	0W5909	438891671			D		COIN METER		1 Coins, 50 EUcent	
31	0003	0W5910	438891672			D		COIN METER		1 Coin, 1 Euro	
31	0003	0W5911	438891674	0W5074		D		COIN METER		2 Coins, 0,5+1 Euro	
31	0004	0W5804	438891091			D		SENSOR			
31	0005	0HM543	471891090		S	D	+	SCREW			
31	0006	0W5268	731231201		S	D	+	NUT		M4	
31	0007	000000								Complete Included in pos 2	
31	0008	000000									
31	0009	0W6127	432220401			D		COVER			
31	0010	0HM469	471781701		S	D		LOCK			
31	0011	0W4292	438879001			D		PRINTED CIRCUIT BOARD			
31	0012	0HM479	471795802		S	D		SUPPORT			
31	0013	0HM064	432308615			D		CABLE SET		-650/16408	
31	0013	0W4291	432309615			D		CABLE SET		650/16409-	
31	0014	0W0F8R	432308401	0W0F8S		D		CABLE SET		-650/16408	
31	0014	0W0F8S	432309401			D		CABLE SET		650/16409-	
31	0015	0W0F82	432308271			D		CABLE SET		X232 -650/16408	

Page	Pos.	Spare Part	Alias Code	Repl. by	S	Info	Kit	Description	Techn. Bulletin	Notes	Ref.
37	0001	0W4724	438879601			D		INTERFACE PC		Complete	
37	0002	0W5381	438879301		S	D		CABLE		Complete	
37	0003	0W05HG	471968001			D		BATTERY ELIMINATOR		24V	
37	0004	0W6263	438879101			D		CMIS INTERFACE			
37	0005	0W05HK	432293303			D		CABLE SET			
37	0006	0W0P7F	471460101			D		BRACKET			
37	0007	0HM479	471795802		S	D		SUPPORT			
37	0008	0W036C	471878001			D		GROMMET		15,2	
37	0009	0W0Z4E	471878031			D		NUT		15	
37	0010	0W008B	471878002			D		SCREW FITTING		18,2	
37	0011	0W0Z4F	471878032			D		NUT		18	
37	0012	0W0F53	432293302			D		CABLE SET			
37	0013	0W0JSC	438730087			D		CABLE SET			
37	0014	0W0JSD	438730088			D		CABLE SET			
37	0015	0W0Z4R	471878102			D		BLOCK		Orange	
37	0016	0W0Z4U	471878111			D		BLOCK			
38	0001	000000	438920003							Exacta/Clarus French	
38	0001	000000	438920004							Exacta/Clarus Spanish	
38	0001	000000	438920005							Exacta/Clarus Danish	
38	0001	000000	438920006							Exacta/Clarus Finnish	
38	0001	000000	438920007							Exacta/Clarus Norwegian	
38	0001	000000	438920008							Exacta/Clarus Dutch	
38	0001	000000	438920009							Exacta/Clarus Italian	
38	0001	000000	438920010							Exacta/Clarus Portuguese	
38	0001	0W0K3W	438920000			D		INSTALLATION INSTRUCTIONS		Exacta/Clarus Swedish	
38	0001	0W0K3X	438920001			D		INSTALLATION INSTRUCTIONS		Exacta/Clarus English	
38	0001	0W0K3Y	438920002			D		INSTALLATION INSTRUCTIONS		Exacta/Clarus German	
38	0001	0W0K3Z	438920011			D		INSTALLATION INSTRUCTIONS		Exacta/Clarus Japanese	
38	0002	0W0K44	438920050			D		USER INSTRUCTIONS		Exacta Swedish	
38	0002	0W0K45	438920051			D		USER INSTRUCTIONS		Exacta English	
38	0002	0W0K46	438920052			D		USER INSTRUCTIONS		Exacta German	
38	0002	0W0K47	438920053			D		USER INSTRUCTIONS		Exacta French	
38	0002	0W0K48	438920054			D		USER INSTRUCTIONS		Exacta Spanish	
38	0002	0W0K49	438920055			D		USER INSTRUCTIONS		Exacta Danish	
38	0002	0W0K4A	438920056			D		USER INSTRUCTIONS		Exacta Finnish	
38	0002	0W0K4B	438920057			D		USER INSTRUCTIONS		Exacta Norwegian	
38	0002	0W0K4C	438920058			D		USER INSTRUCTIONS		Exacta Dutch	
38	0002	0W0K4D	438920059			D		USER INSTRUCTIONS		Exacta Italian	
38	0002	0W0K4E	438920060			D		USER INSTRUCTIONS		Exacta Portuguese	
38	0002	0W0K4F	438920061			D		USER INSTRUCTIONS		Exacta Japanese	
38	0002	0W0K4K	438920100			D		USER INSTRUCTIONS		Clarus Swedish	
38	0002	0W0K4L	438920101			D		USER INSTRUCTIONS		Clarus English	
38	0002	0W0K4M	438920102			D		USER INSTRUCTIONS		Clarus German	
38	0002	0W0K4N	438920103			D		USER INSTRUCTIONS		Clarus French	
38	0002	0W0K4P	438920104			D		USER INSTRUCTIONS		Clarus Spanish	
38	0002	0W0K4R	438920105			D		USER INSTRUCTIONS		Clarus Danish	
38	0002	0W0K4S	438920106			D		USER INSTRUCTIONS		Clarus Finnish	
38	0002	0W0K4T	438920107			D		USER INSTRUCTIONS		Clarus Norwegian	
38	0002	0W0K4U	438920108			D		USER INSTRUCTIONS		Clarus Dutch	
38	0002	0W0K4V	438920109			D		USER INSTRUCTIONS		Clarus Italian	
38	0002	0W0K4W	438920111			D		USER INSTRUCTIONS		Clarus Japanese	
38	0003	000000	438920150							Clarus Swedish	
38	0003	000000	438920152							Clarus German	
38	0003	000000	438920153							Clarus French	
38	0003	000000	438920154							Clarus Spanish	
38	0003	000000	438920159							Clarus Italian	
38	0003	000000	438920161							Clarus Japanese	
38	0003	000000	438920182							Exacta German	
38	0003	000000	438920183							Exacta French	
38	0003	000000	438920184							Exacta Spanish	
38	0003	000000	438920189							Exacta Italian	
38	0003	000000	438920191							Exacta Japanese	
38	0003	0W0K2V	438920181			D		SERVICE MANUAL		Exacta English	
38	0003	0W0K4Z	438920151			D		SERVICE MANUAL		Clarus English	
38	0003	0W0K52	438920180			D		SERVICE MANUAL		Exacta Swedish	
38	0004	000000	438905054							Clarus Spanish	
38	0004	000000	438905057							Clarus Norwegian	
38	0004	000000	438905058							Clarus Dutch	
38	0004	000000	438905059							Clarus Italian	
38	0004	0W0K1U	438905050			D		PROGRAMMING		Clarus Swedish	
38	0004	0W0K1V	438905052			D		PROGRAMMING		Clarus German	

Page	Pos.	Spare Part	Alias Code	Repl. by	S	Info	Kit	Description	Techn. Bulletin	Notes	Ref.
38	0004	0W0K1W	438905053			D		PROGRAMMING		Clarus French	
38	0004	0W0K1X	438905055			D		PROGRAMMING		Clarus Danish	
38	0004	0W0K1Y	438905056			D		PROGRAMMING		Clarus Finnish	
38	0004	0W3634	438905051			D		PROGRAMMING		Clarus English	