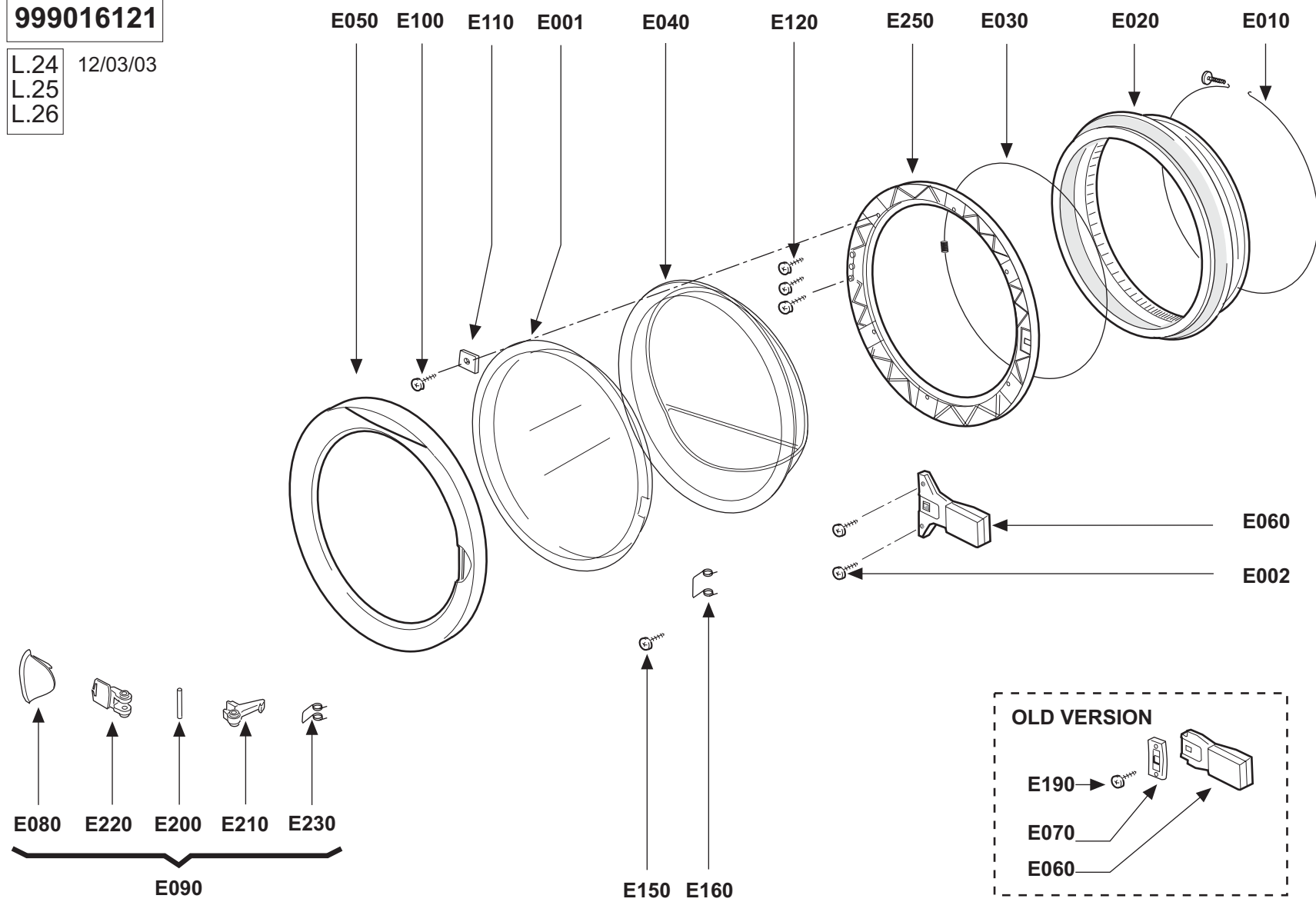


999016121

L.24 12/03/03
L.25
L.26



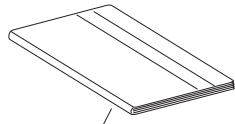
999016228

SHRINK PACKING FREE-STANDING

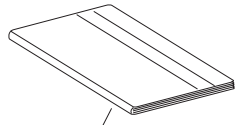
14/09/2006

Z290

Z310



Z330
INSTRUCTIONS
FOR USE

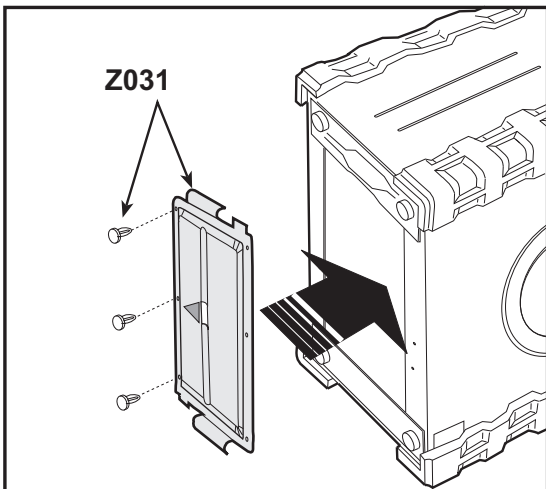


Z025
TECHNICAL DATAS
BOOKLET

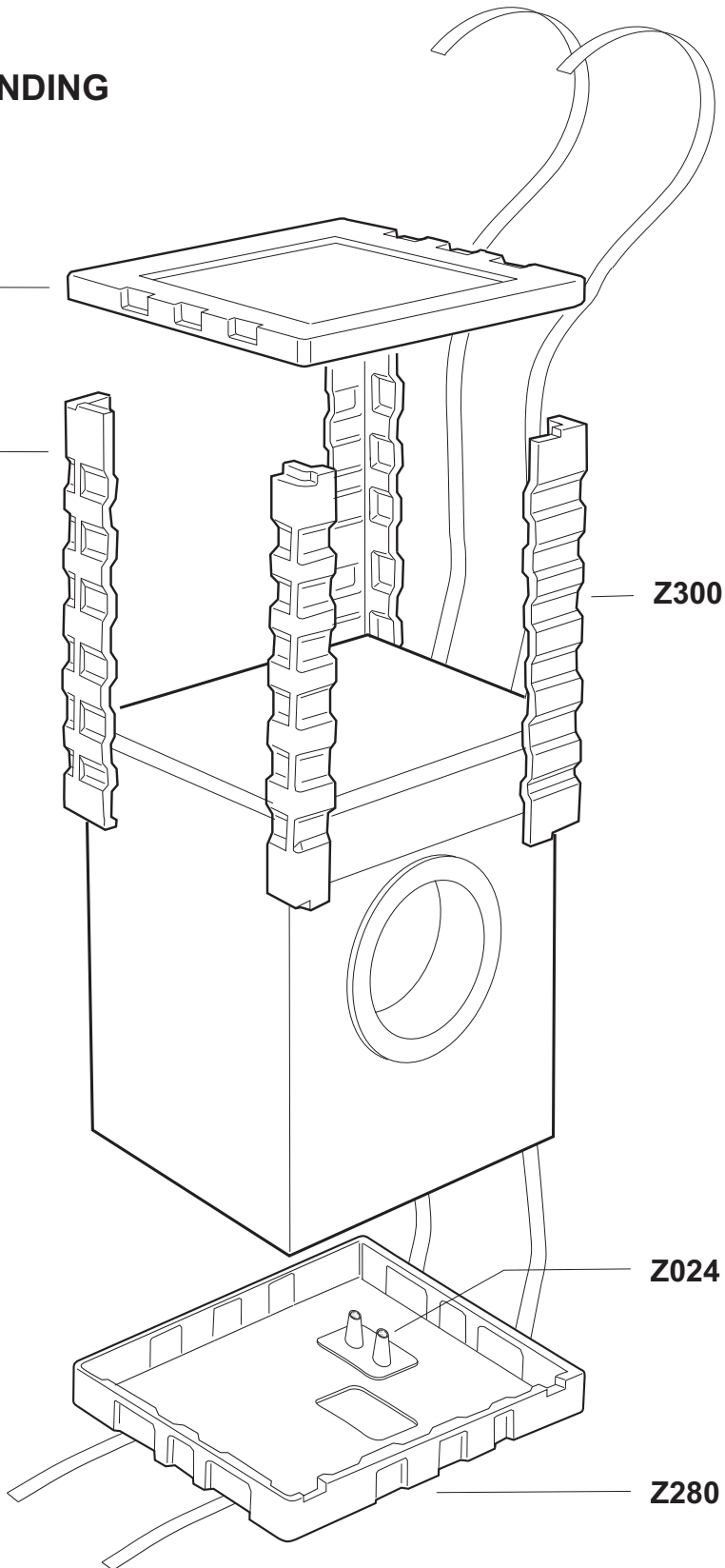
Z300

Z024

Z280

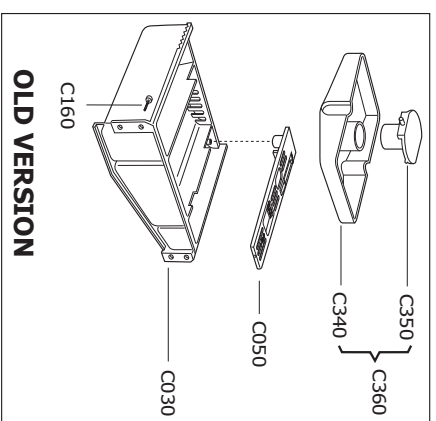
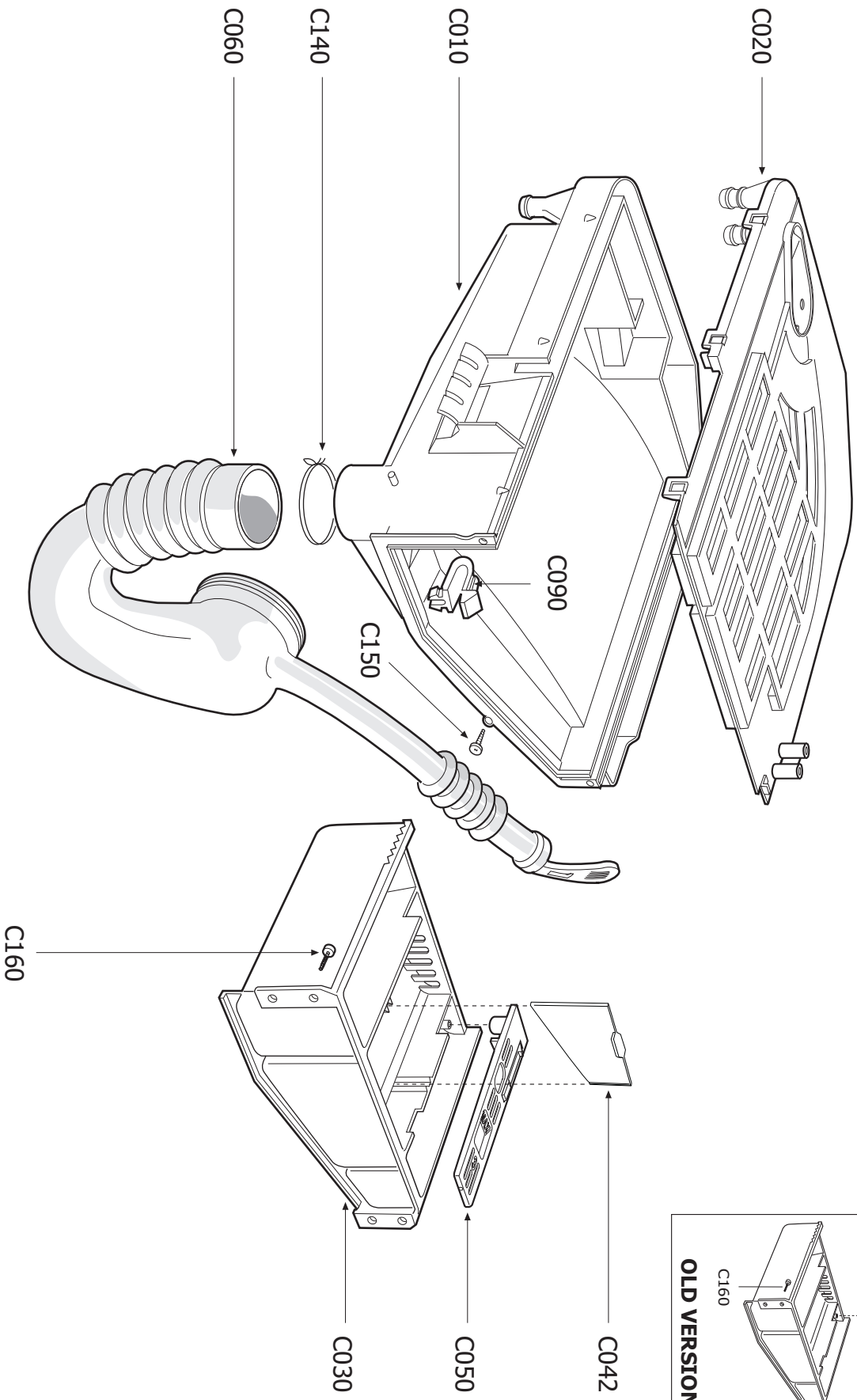


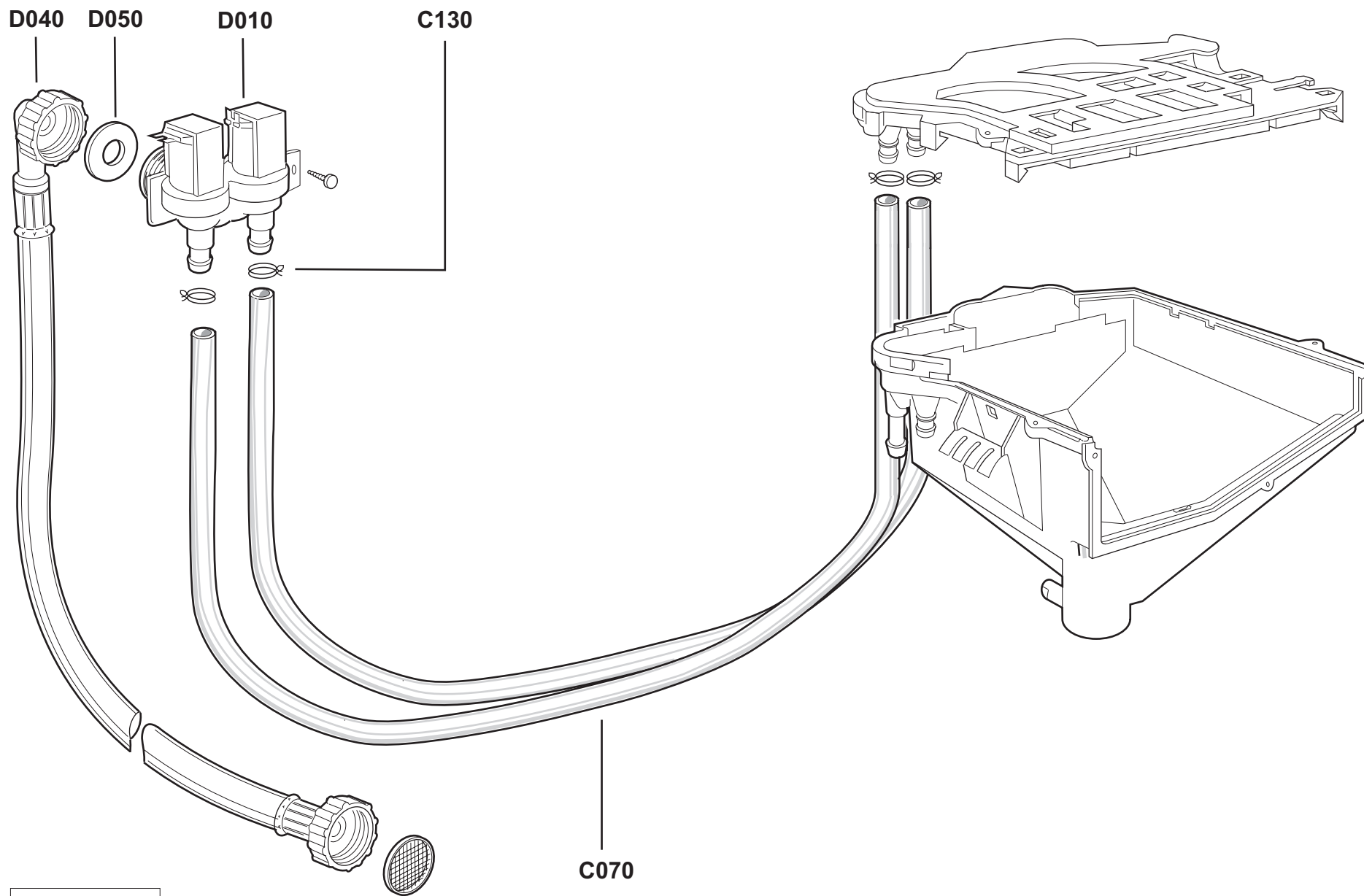
**Used only for Washing Machines
33 and 39 cm depth**



999040364

CFE with 2 Water Valve
30/07/2008



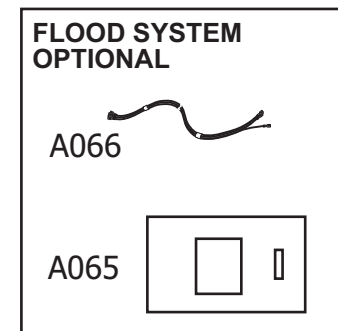
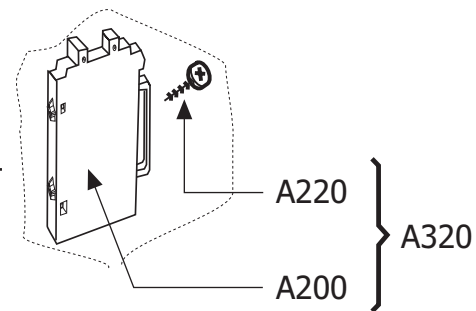
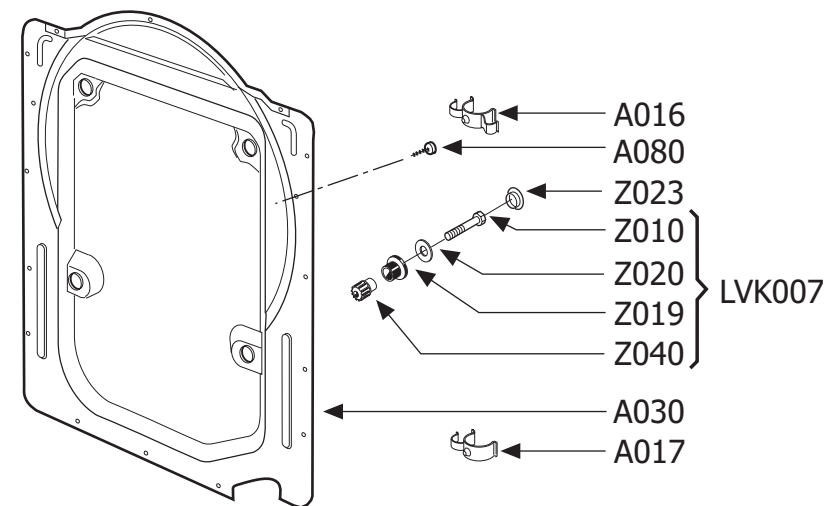
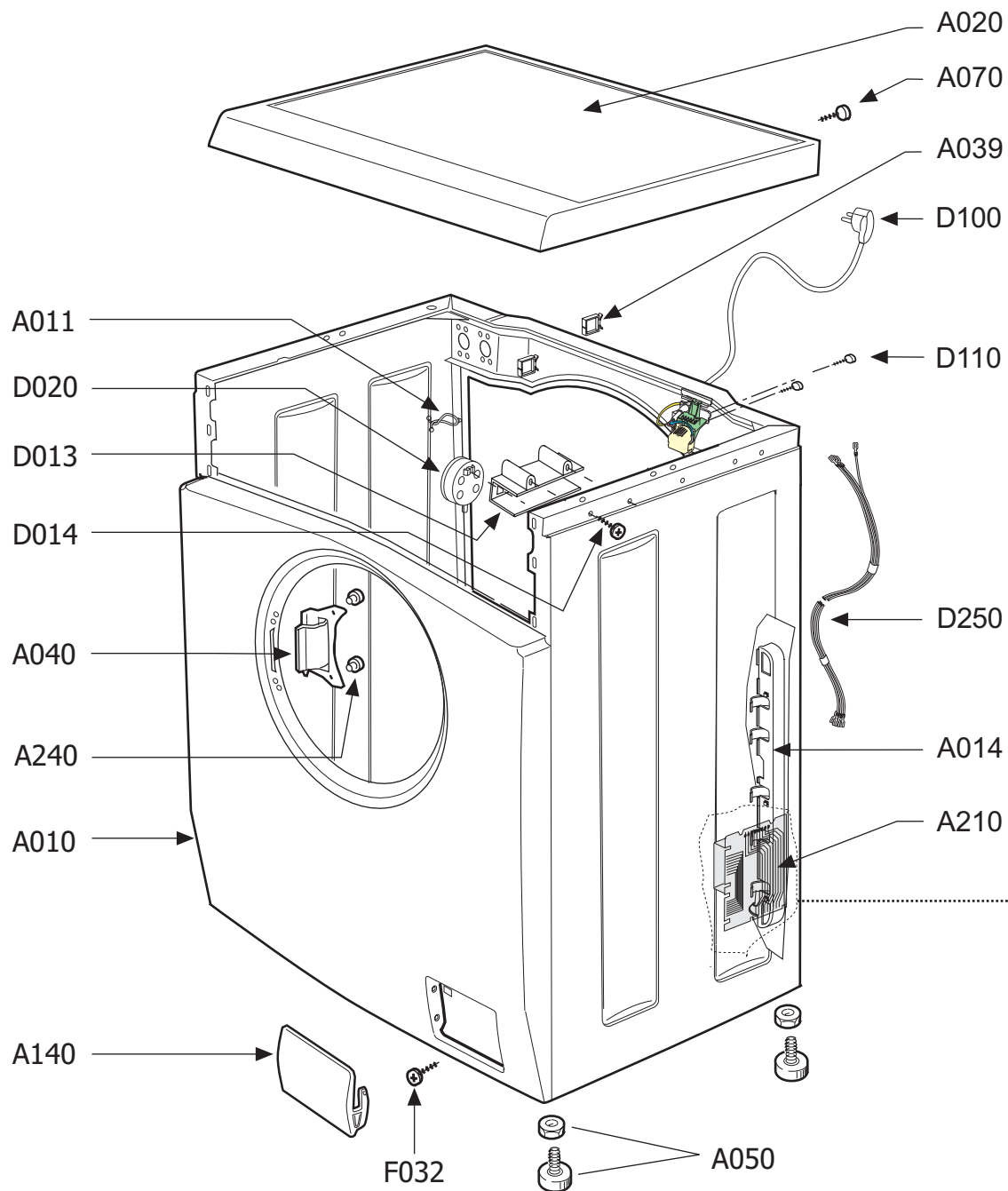


999043304

LBCF - 2 ELETTROVALVOLE
AF-ELECTRONIC
09/03/2007

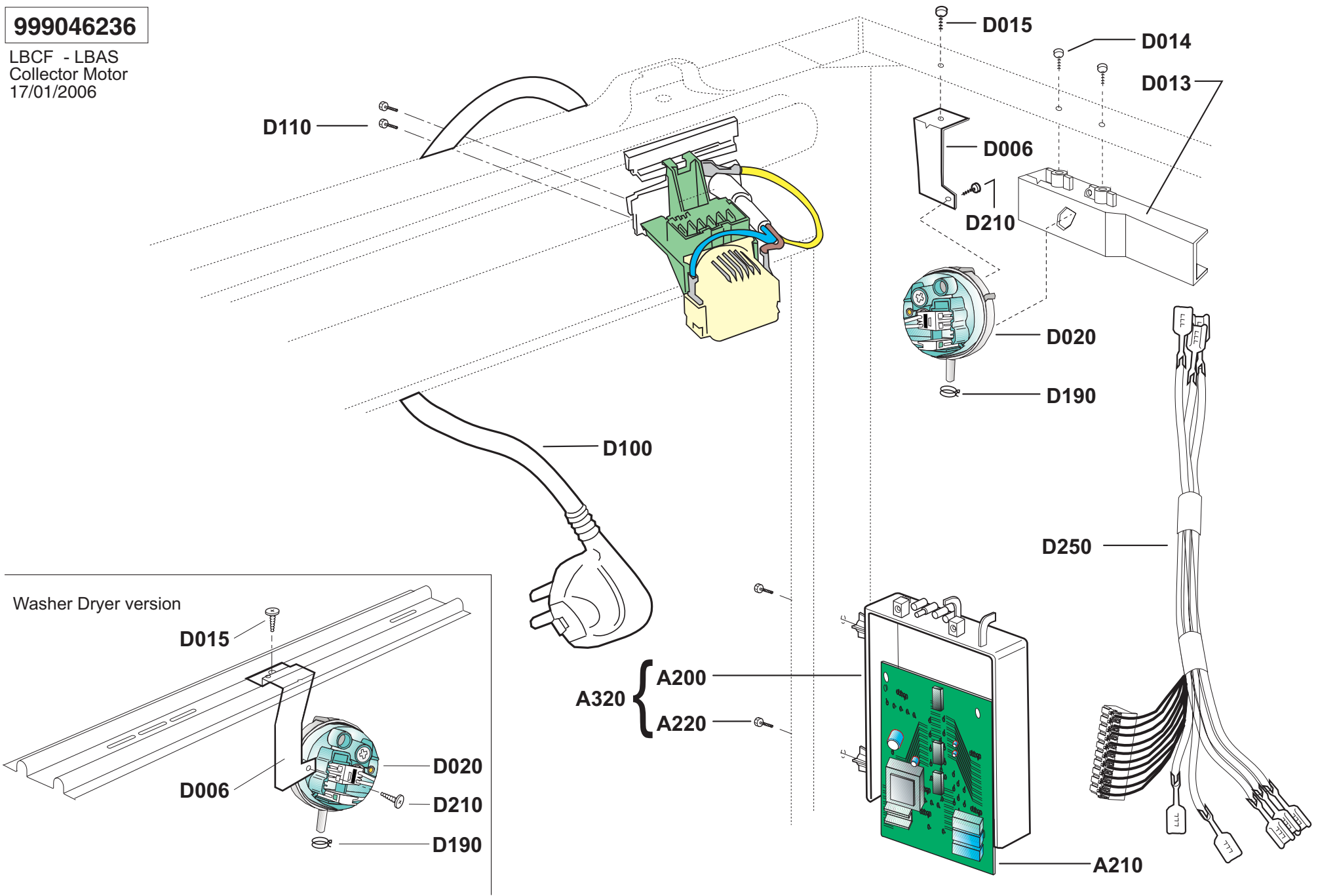
999045206

LBCF
CABINET
22/02/13



999046236

LBCF - LBAS
Collector Motor
17/01/2006



D110

D015

D014

D013

D006

D210

D020

D190

D100

D250

Washer Dryer version

D015

D006

D020

D210

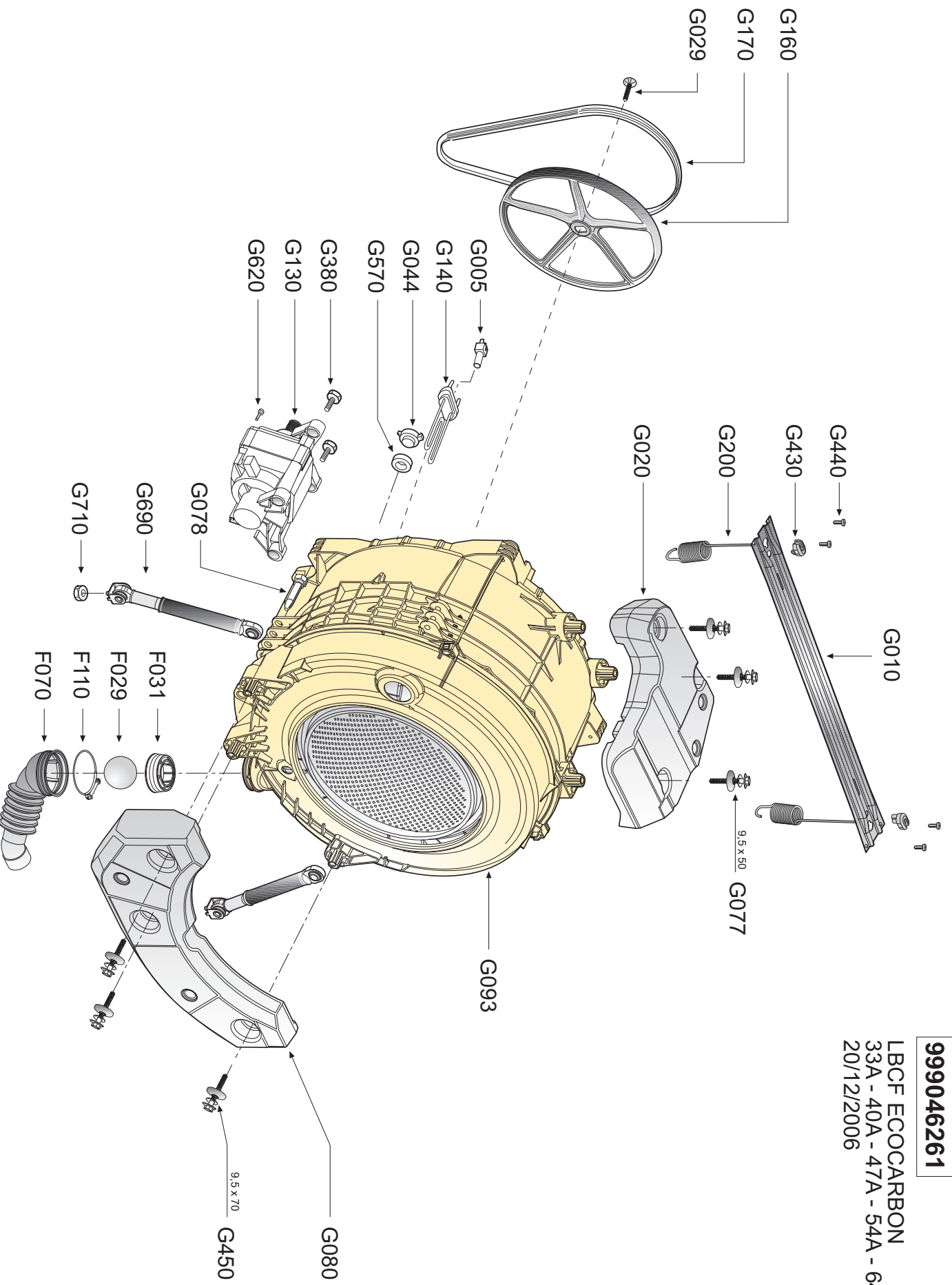
D190

A320

A200

A220

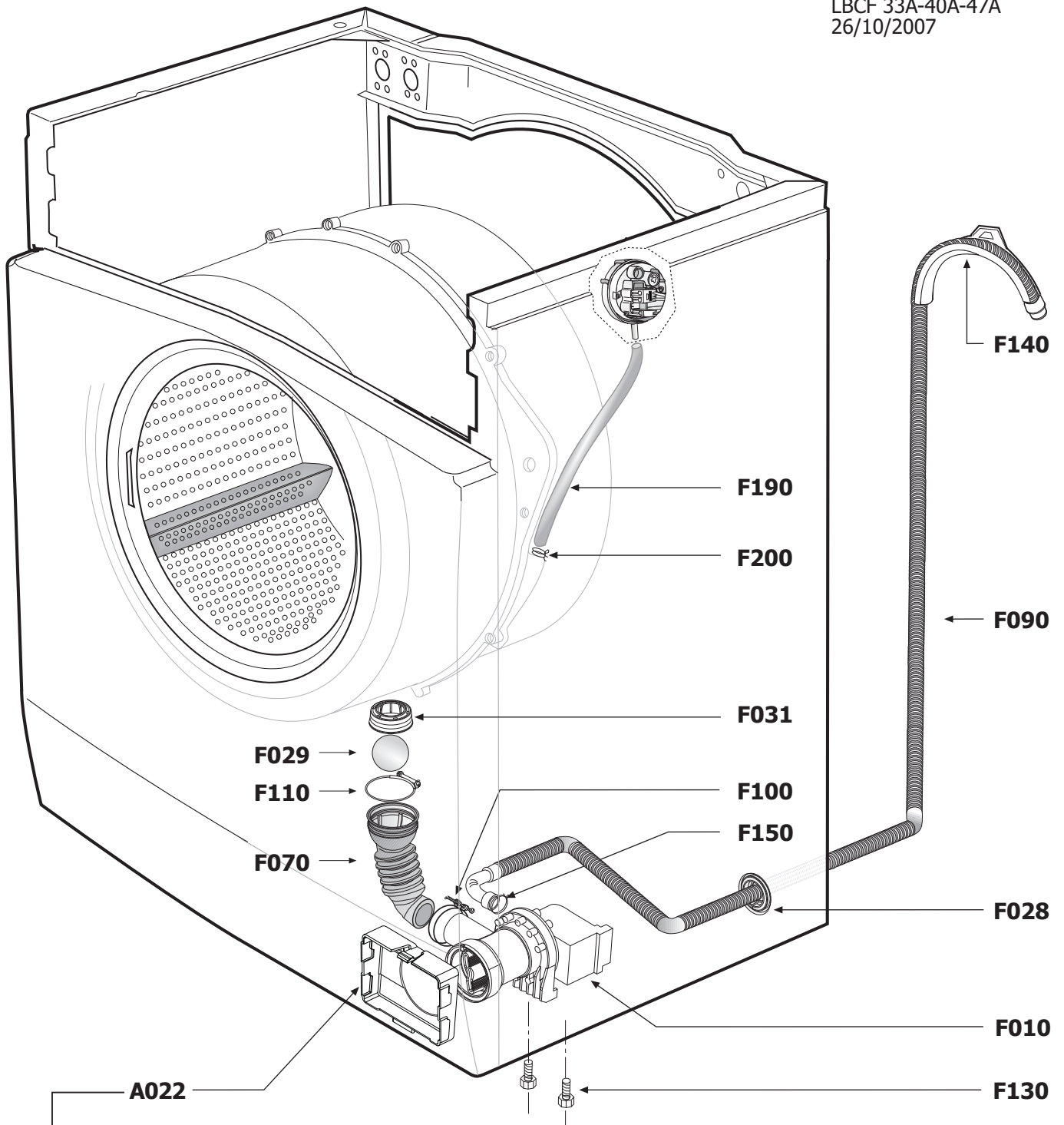
A210



999046261
 LBCF ECOCARBON
 33A - 40A - 47A - 54A - 64A
 20/12/2006

999046361

Eco-Ball & Self cleaning
drain pump system
LBCF 33A-40A-47A
26/10/2007



- I** → Protezione Pompa utilizzata esclusivamente su macchine provviste di Pannello frontale "T".
- F** → Protection Pompe de vidange utilisée exclusivement dans les machines ayant le Panneau frontal "T".
- GB** → Pump Cover used exclusively on machines fitted with "T" type cabinet front Panel.
- D** → Pumpenschutz ausschließlich an Maschinen mit Frontpaneel "T".
- E** → Protección Bomba utilizada exclusivamente en máquinas dotadas de Panel frontal "T".

999046459

CONTROL PANEL CF AV 3P 2M
04/11/2010

