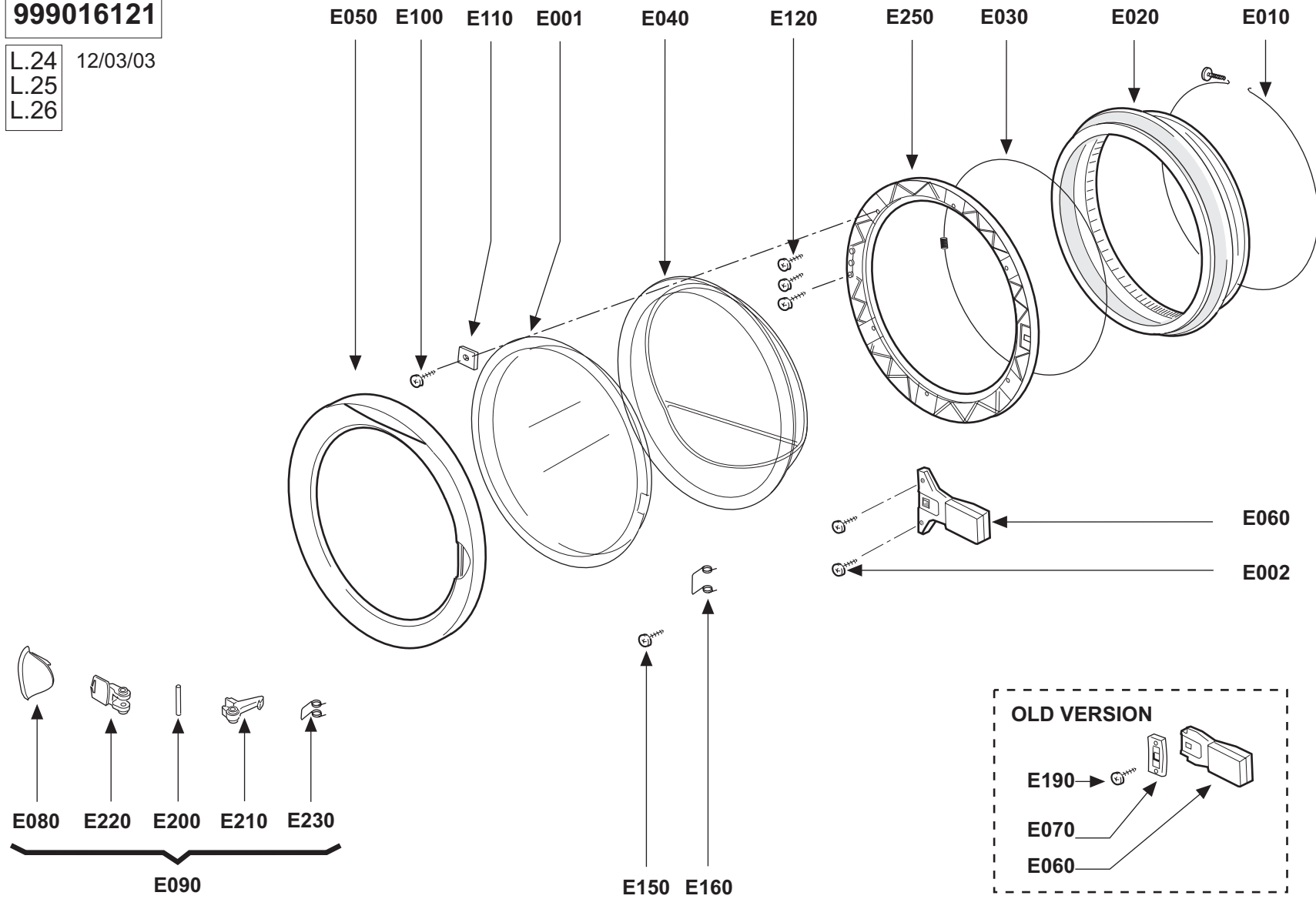
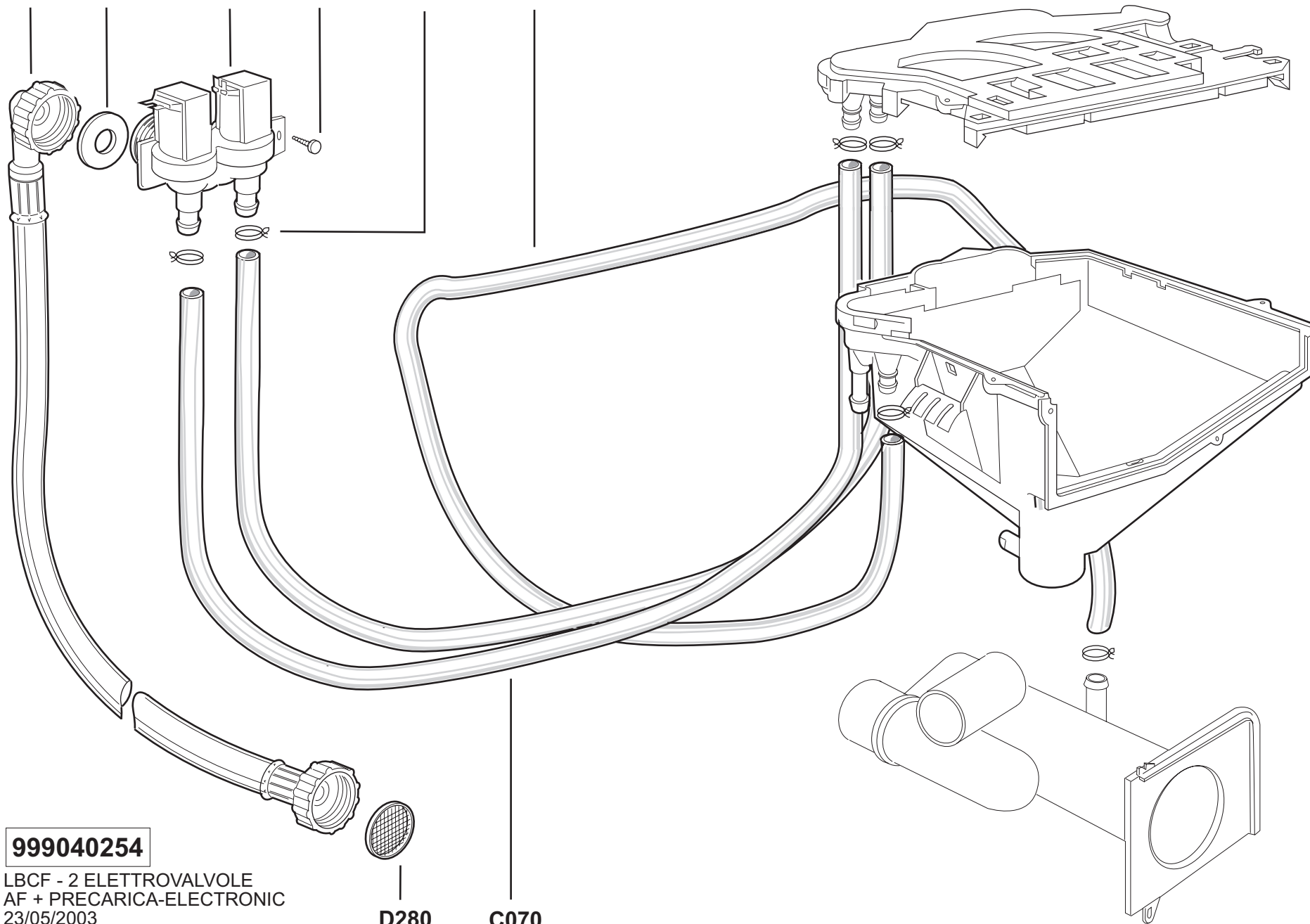


999016121

L.24 12/03/03
L.25
L.26



D040 D050 D010 D220 C130 D370



999040254

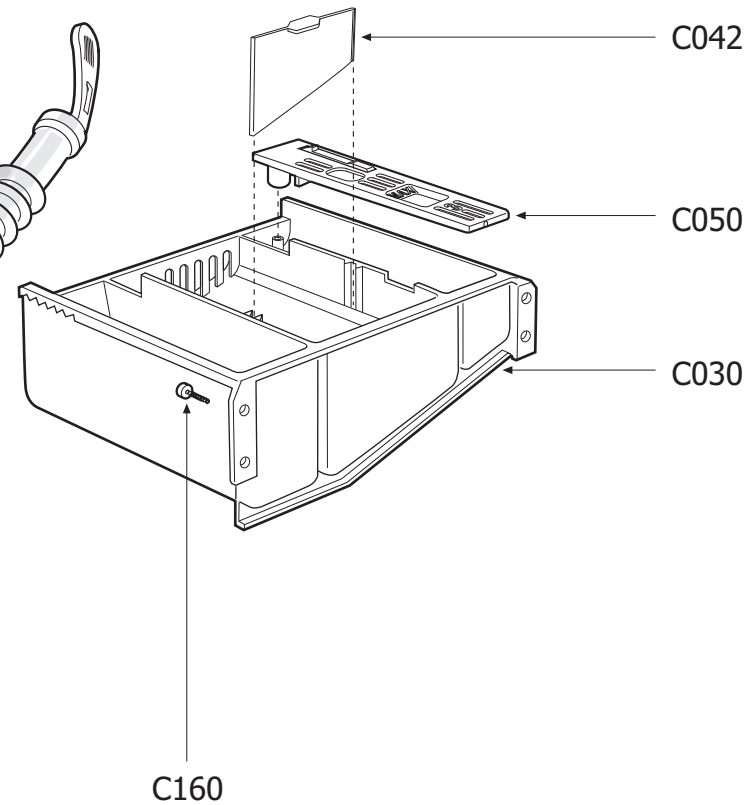
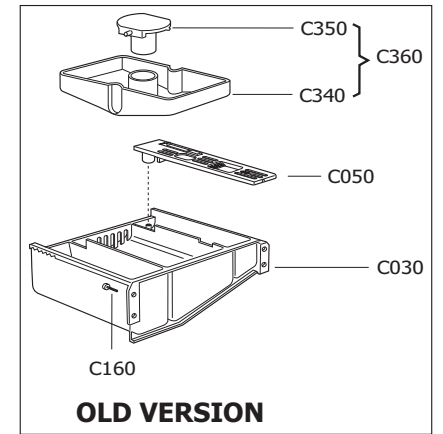
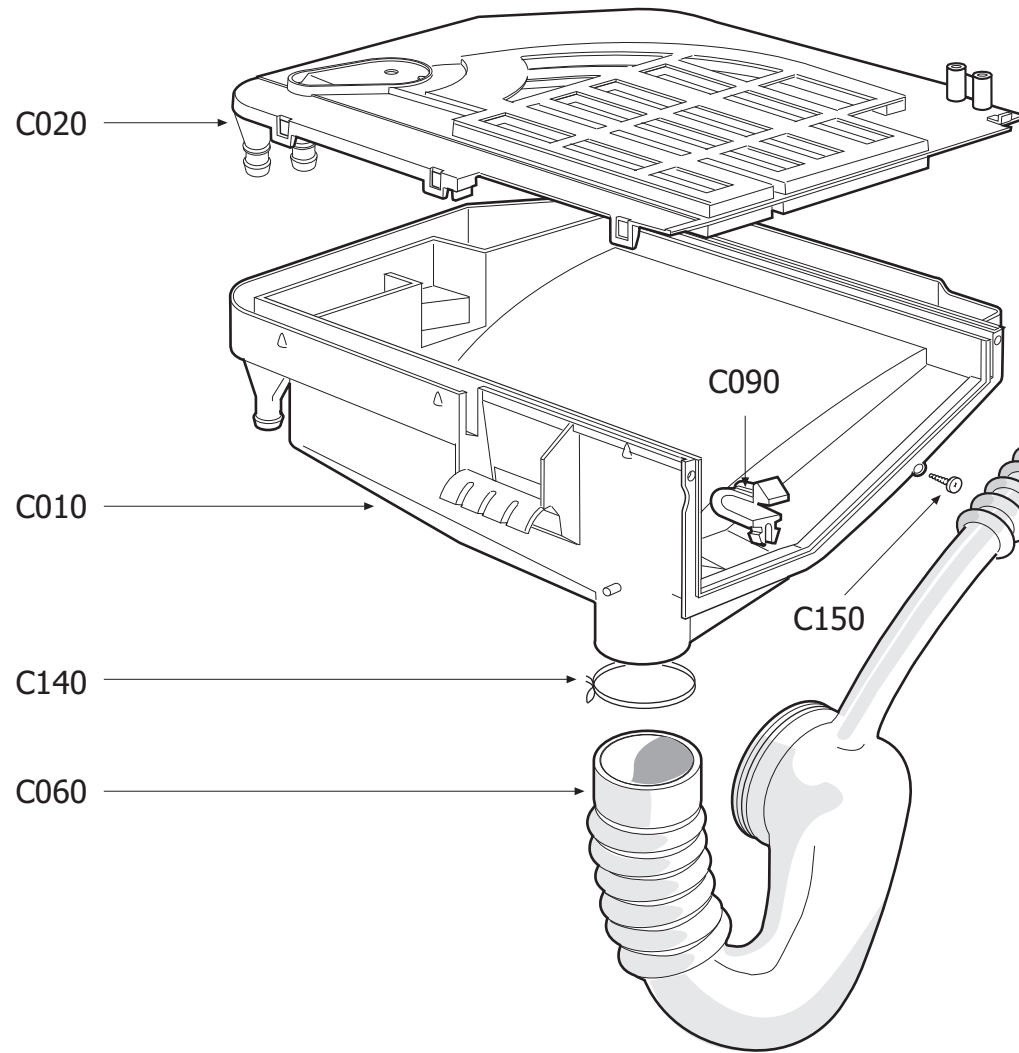
LBCF - 2 ELETTOVALVOLE
AF + PRECARICA-ELECTRONIC
23/05/2003

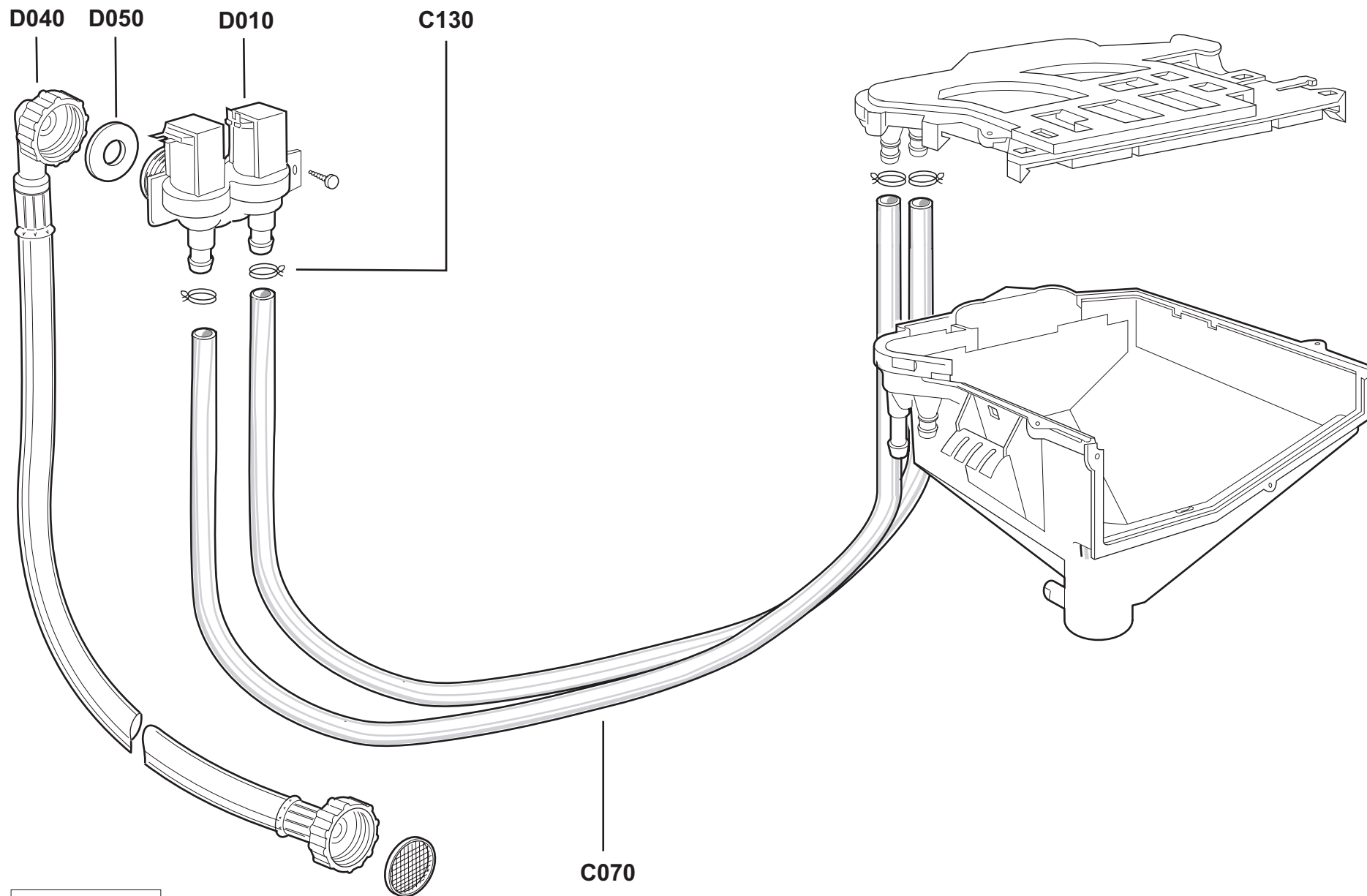
D280

C070

999040364

CFE with 2 Water Valve
30/07/2008



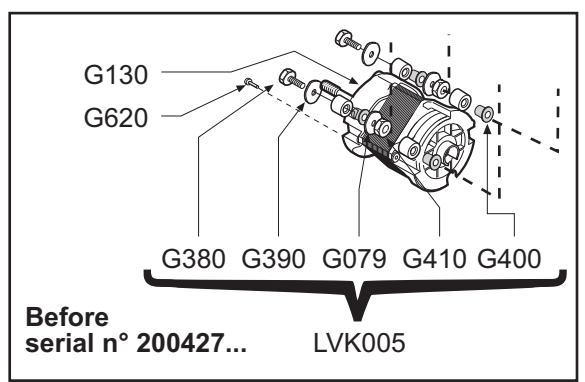
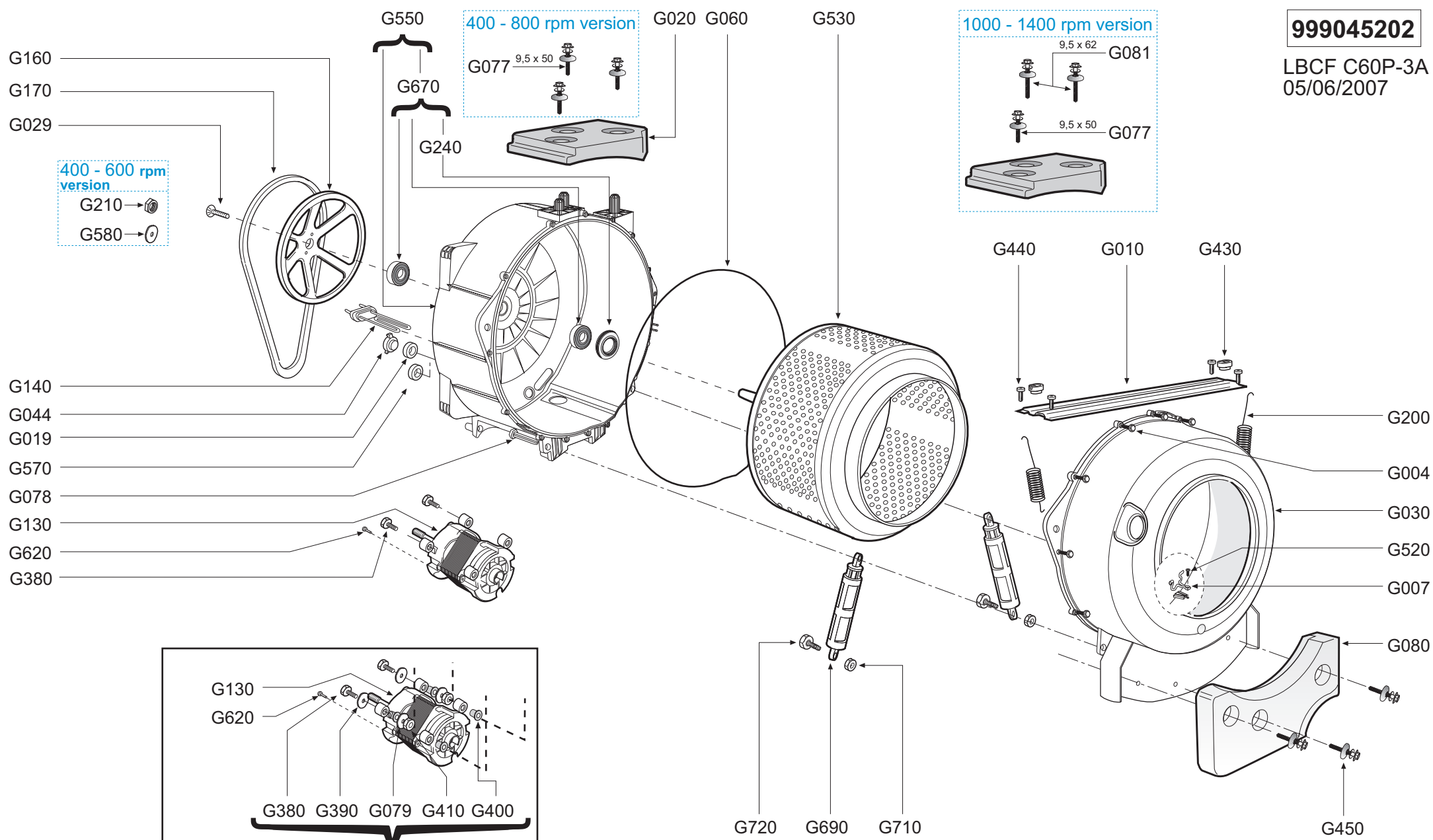


999043304

LBCF - 2 ELETTROVALVOLE
AF-ELECTRONIC
09/03/2007

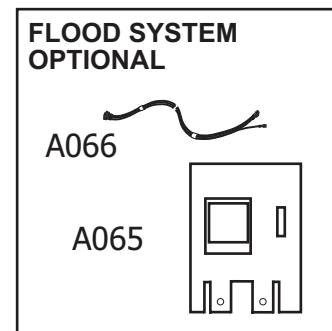
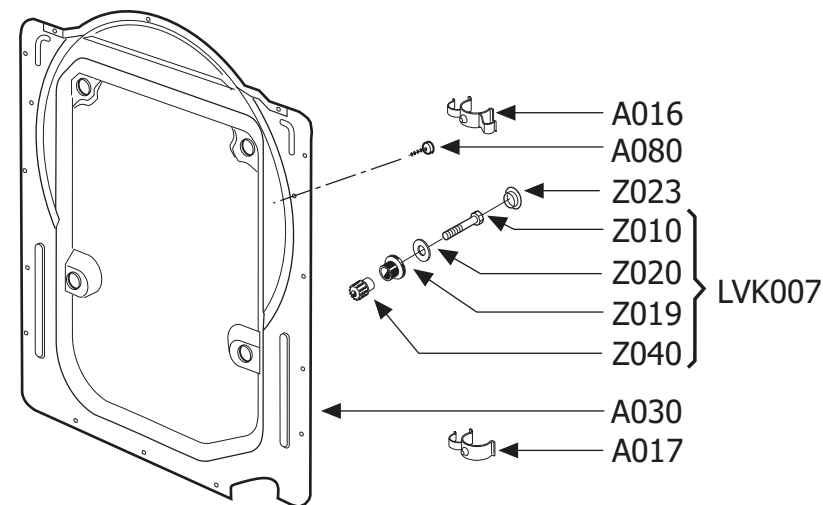
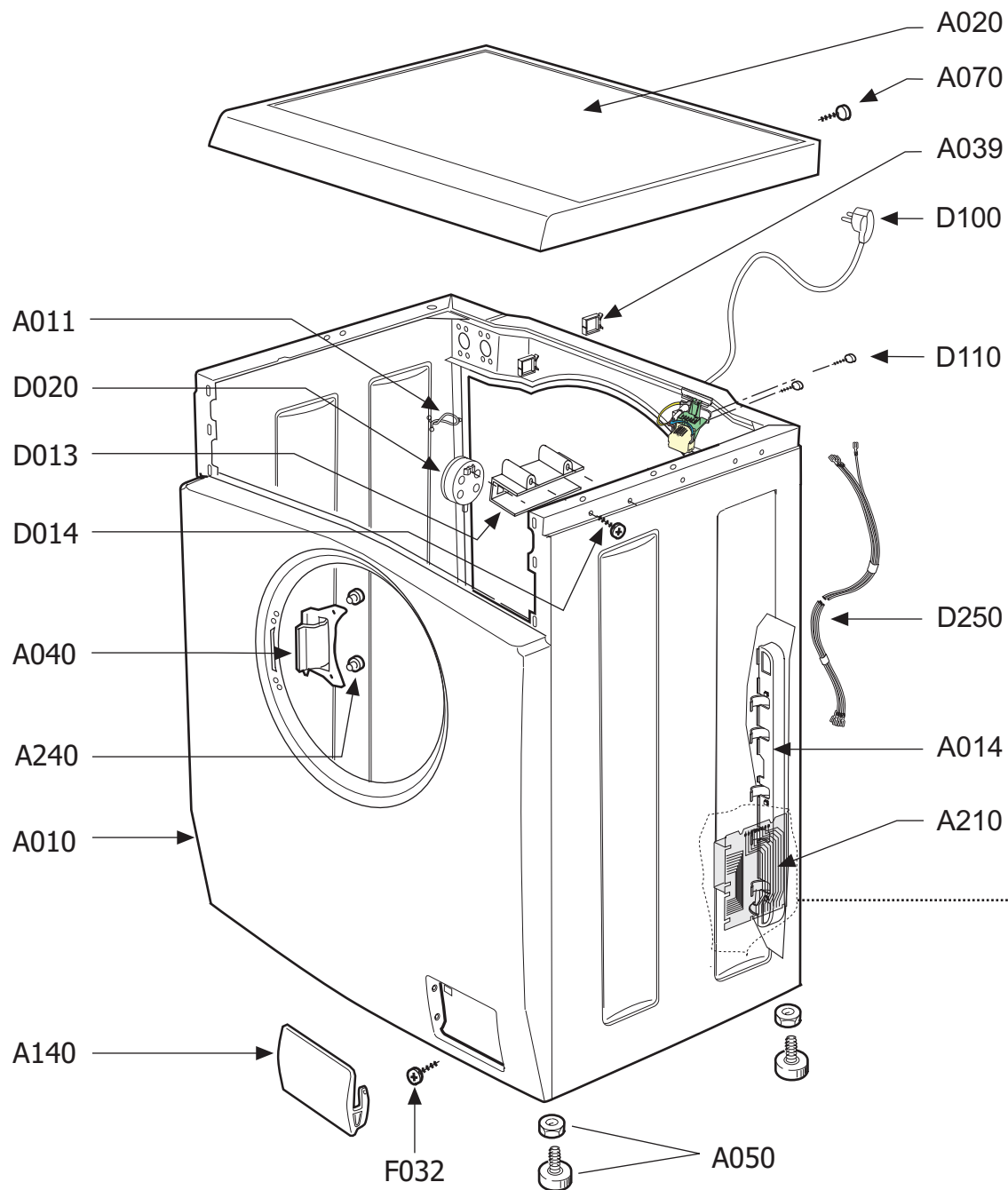
999045202

LBCF C60P-3A
05/06/2007



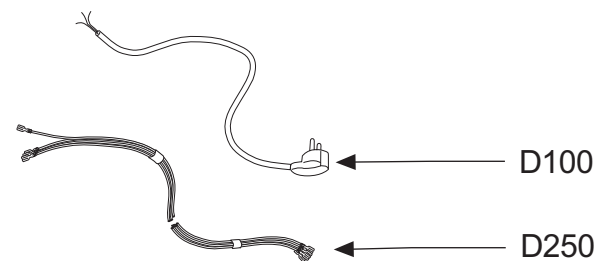
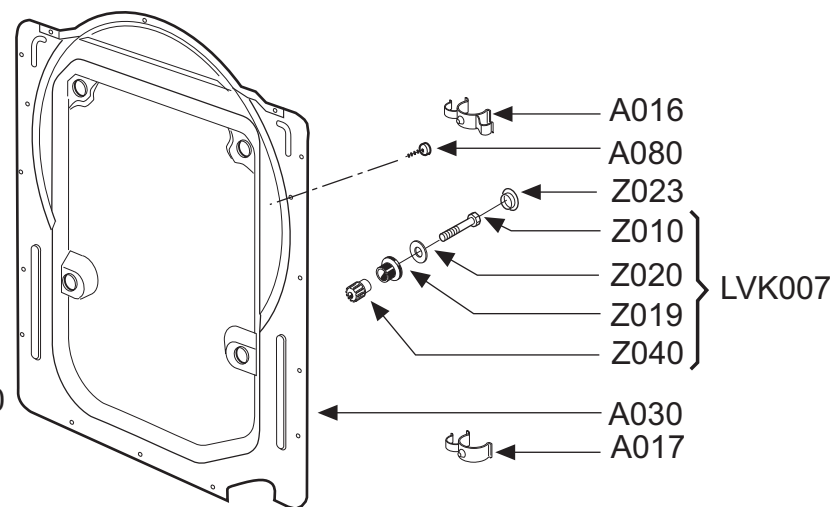
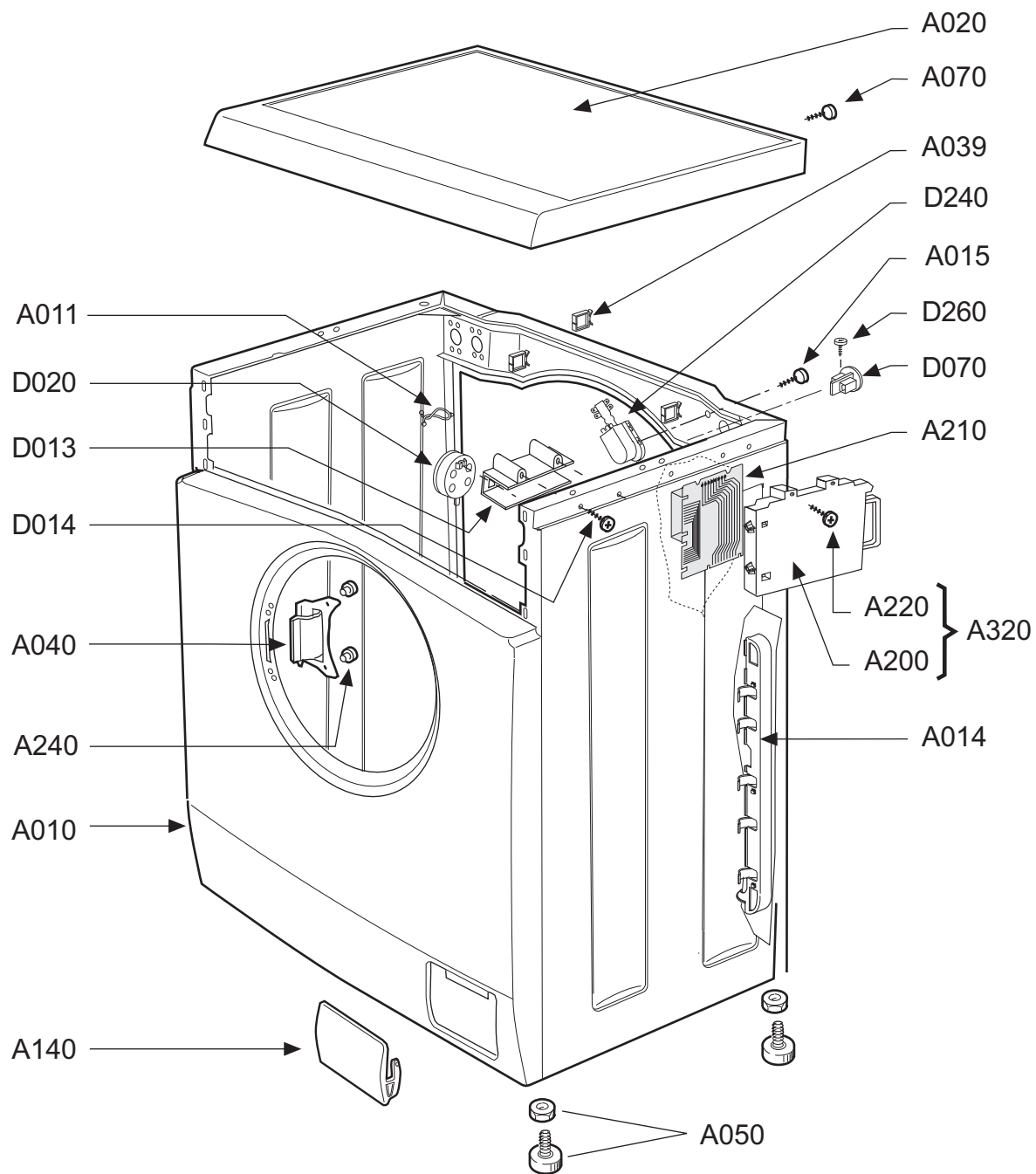
999045206

LBCF
CABINET
22/02/13



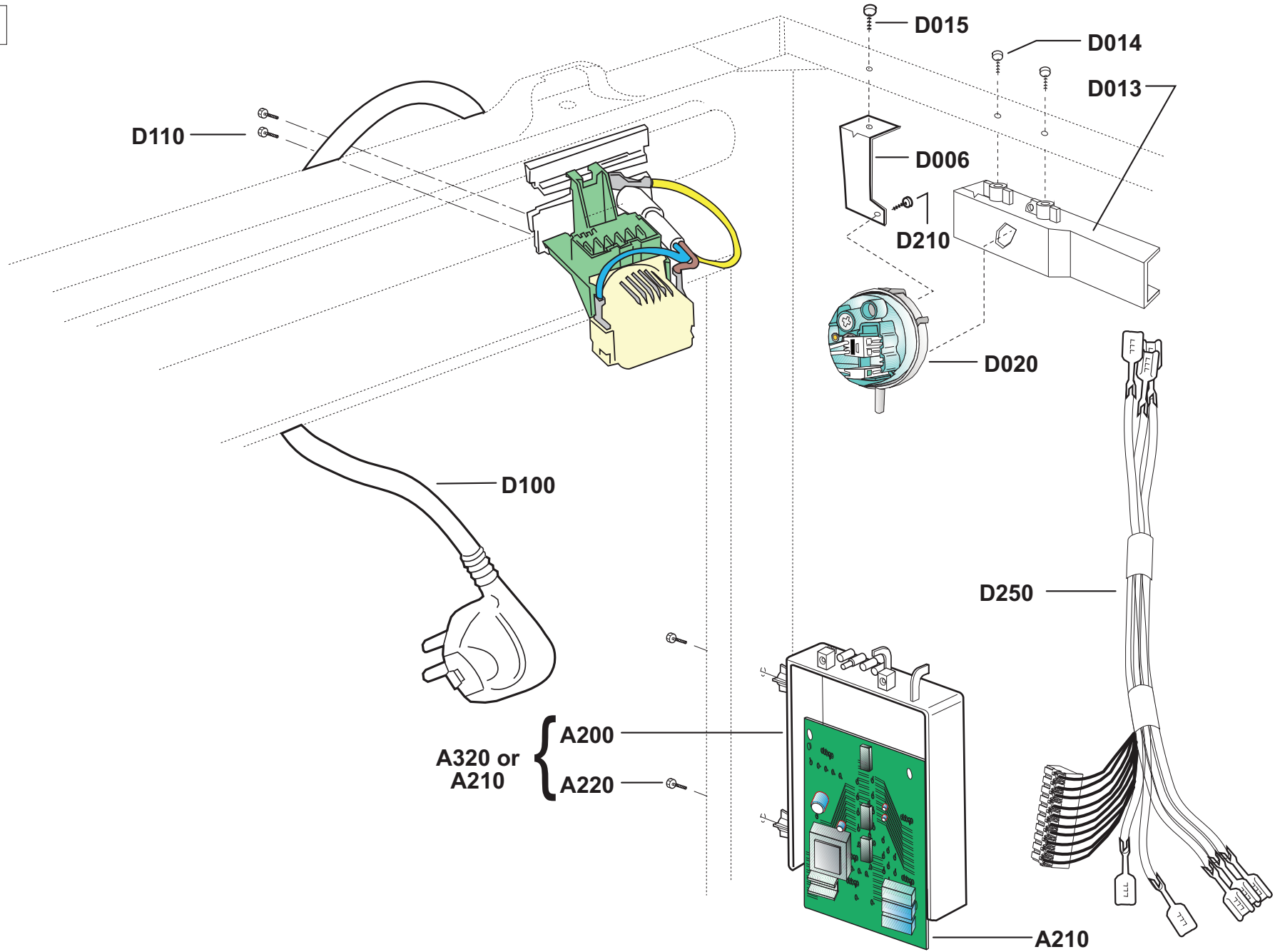
999046066

LB-CFE-47lt-PP
LB-CFE-42lt-PI-3
Panel "T"
09/05/07



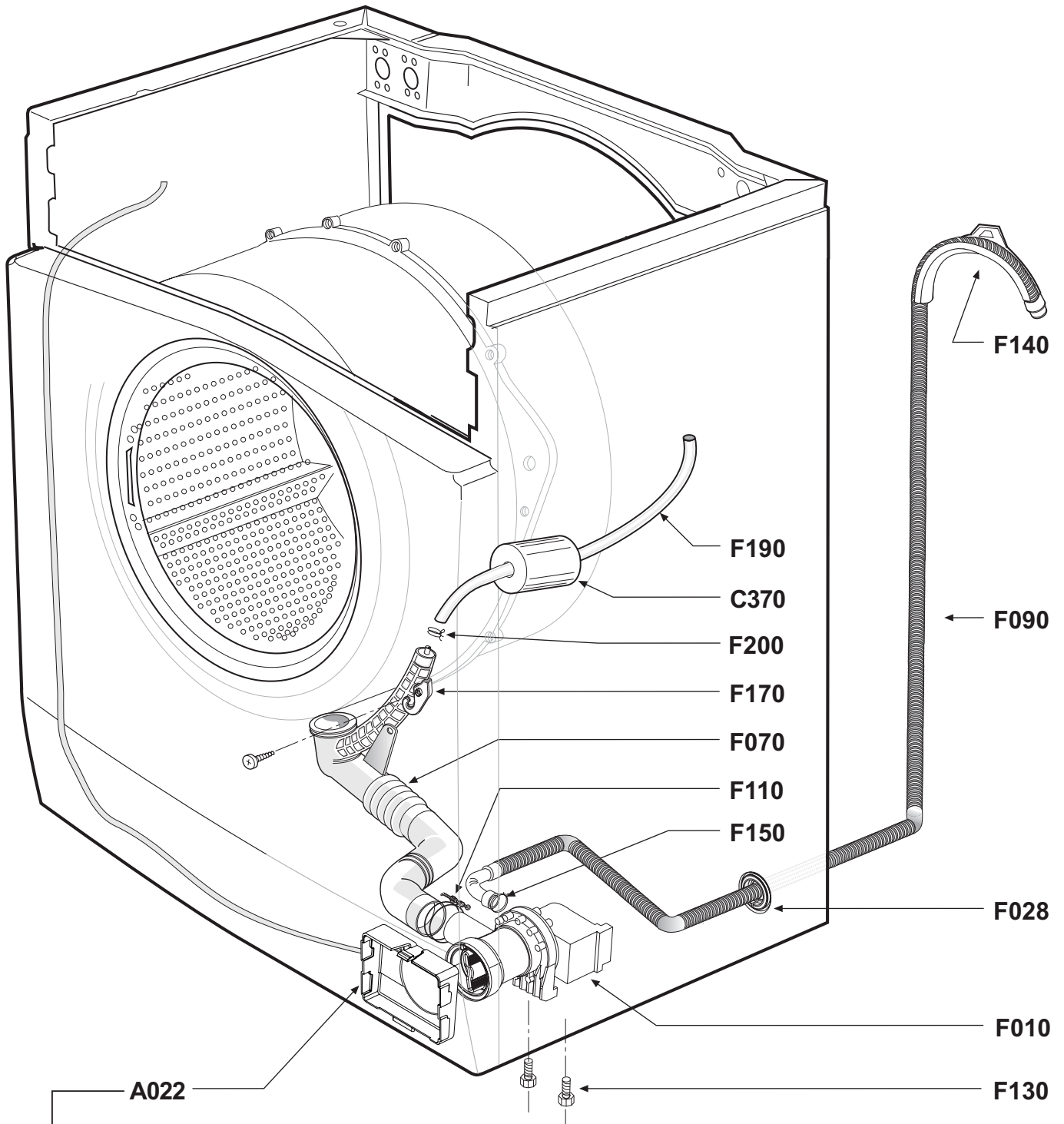
999046236

**LBCF - LBAS
Collector Motor
30/09/15**



999046249

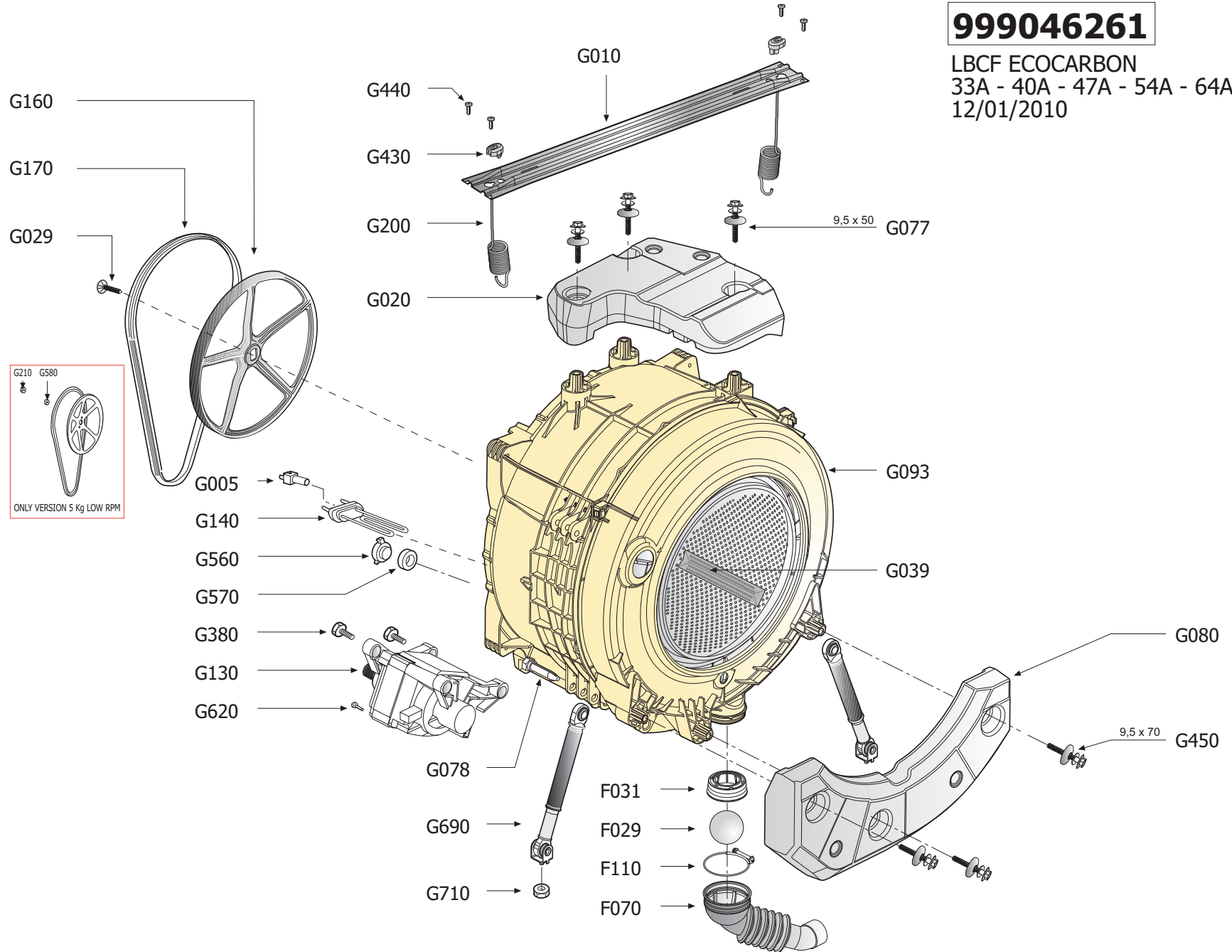
Self cleaning
drain pump system
LBCF 42PL-3
26/05/2006



- I** → Protezione Pompa utilizzata esclusivamente su macchine provviste di Pannello frontale "T".
- F** → Protection Pompe de vidange utilisée exclusivement dans les machines ayant le Panneau frontal "T".
- GB** → Pump Cover used exclusively on machines fitted with "T" type cabinet front Panel.
- D** → Pumpenschutz ausschließlich an Maschinen mit Frontpaneel "T".
- E** → Protección Bomba utilizada exclusivamente en máquinas dotadas de Panel frontal "T".

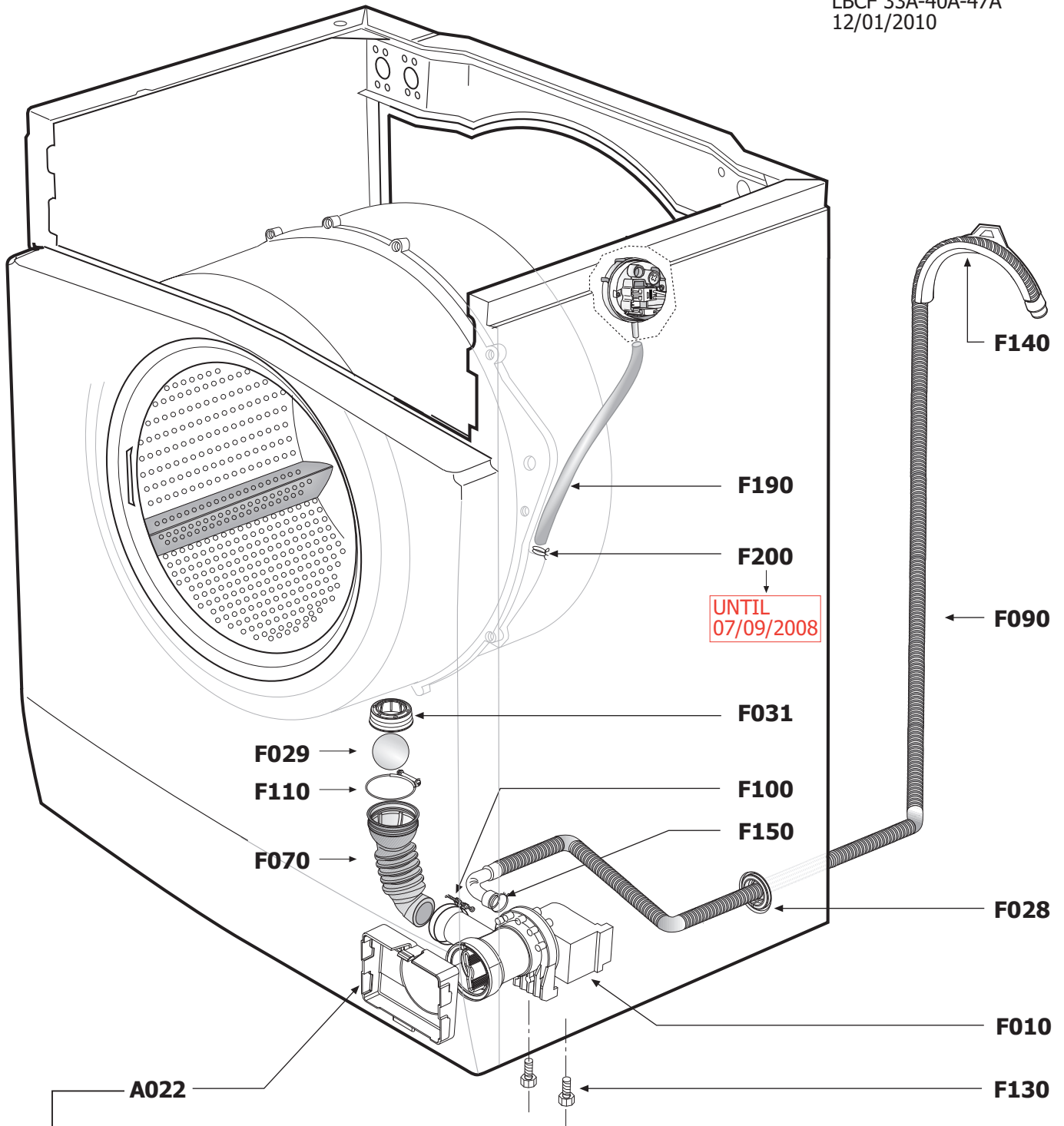
999046261

LBCF ECOCARBON
33A - 40A - 47A - 54A - 64A
12/01/2010



999046361

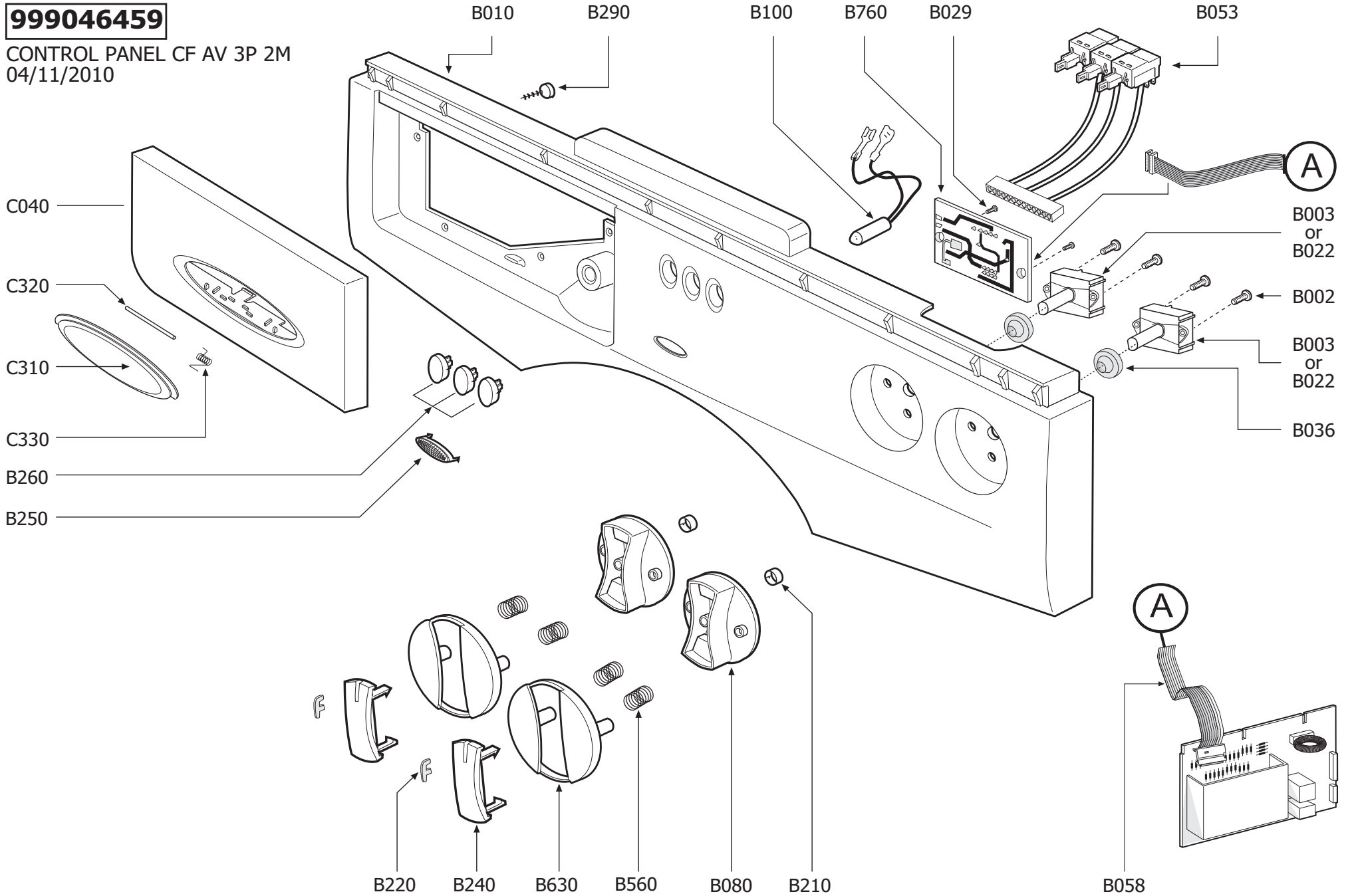
Eco-Ball & Self cleaning
drain pump system
LBCF 33A-40A-47A
12/01/2010



- I** → Protezione Pompa utilizzata esclusivamente su macchine provviste di Pannello frontale "T".
- F** → Protection Pompe de vidange utilisée exclusivement dans les machines ayant le Panneau frontal "T".
- GB** → Pump Cover used exclusively on machines fitted with "T" type cabinet front Panel.
- D** → Pumpenschutz ausschließlich an Maschinen mit Frontpaneel "T".
- E** → Protección Bomba utilizada exclusivamente en máquinas dotadas de Panel frontal "T".

999046459

CONTROL PANEL CF AV 3P 2M
04/11/2010



999046485

CFE
Control Panel: AK-AU-AV-AW-AZ
14/05/2009

