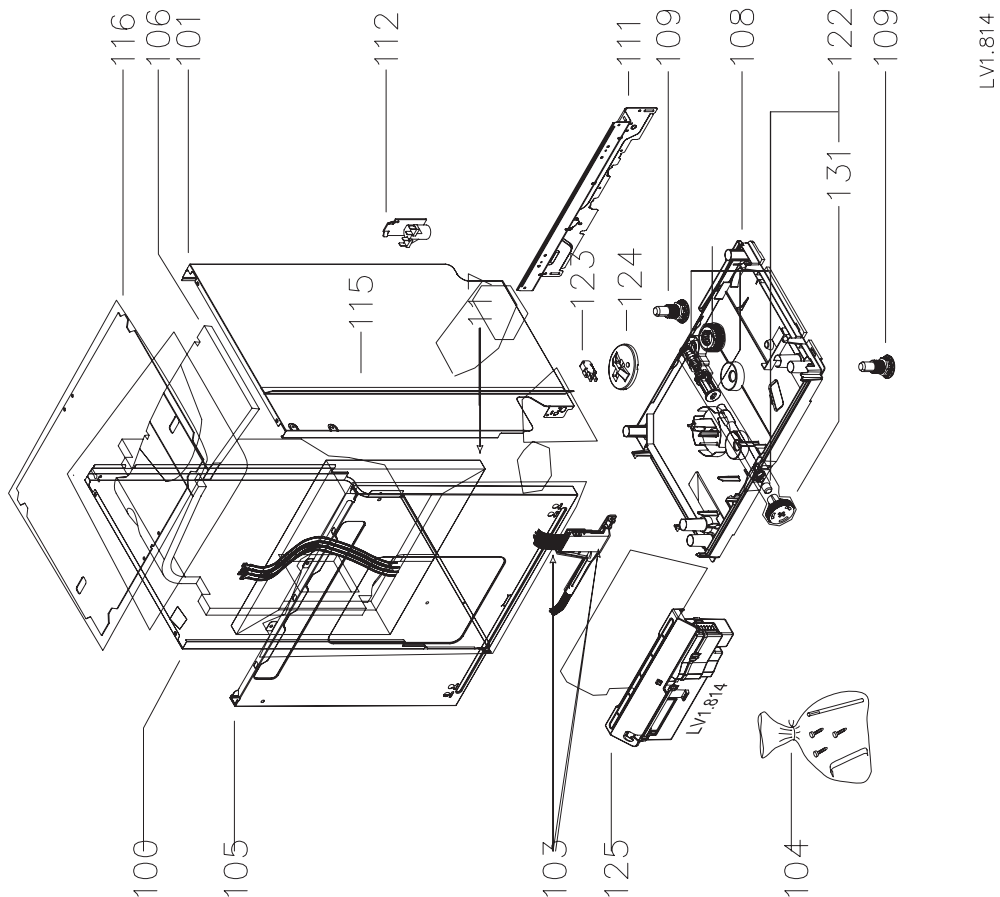


LV2.571
LV2.569



LV1.814