

FIG.3

LAVAVAJILLAS DE "45 CM"

Mod : LV-45 E
LV-45 EB

1.94



VDBU1104

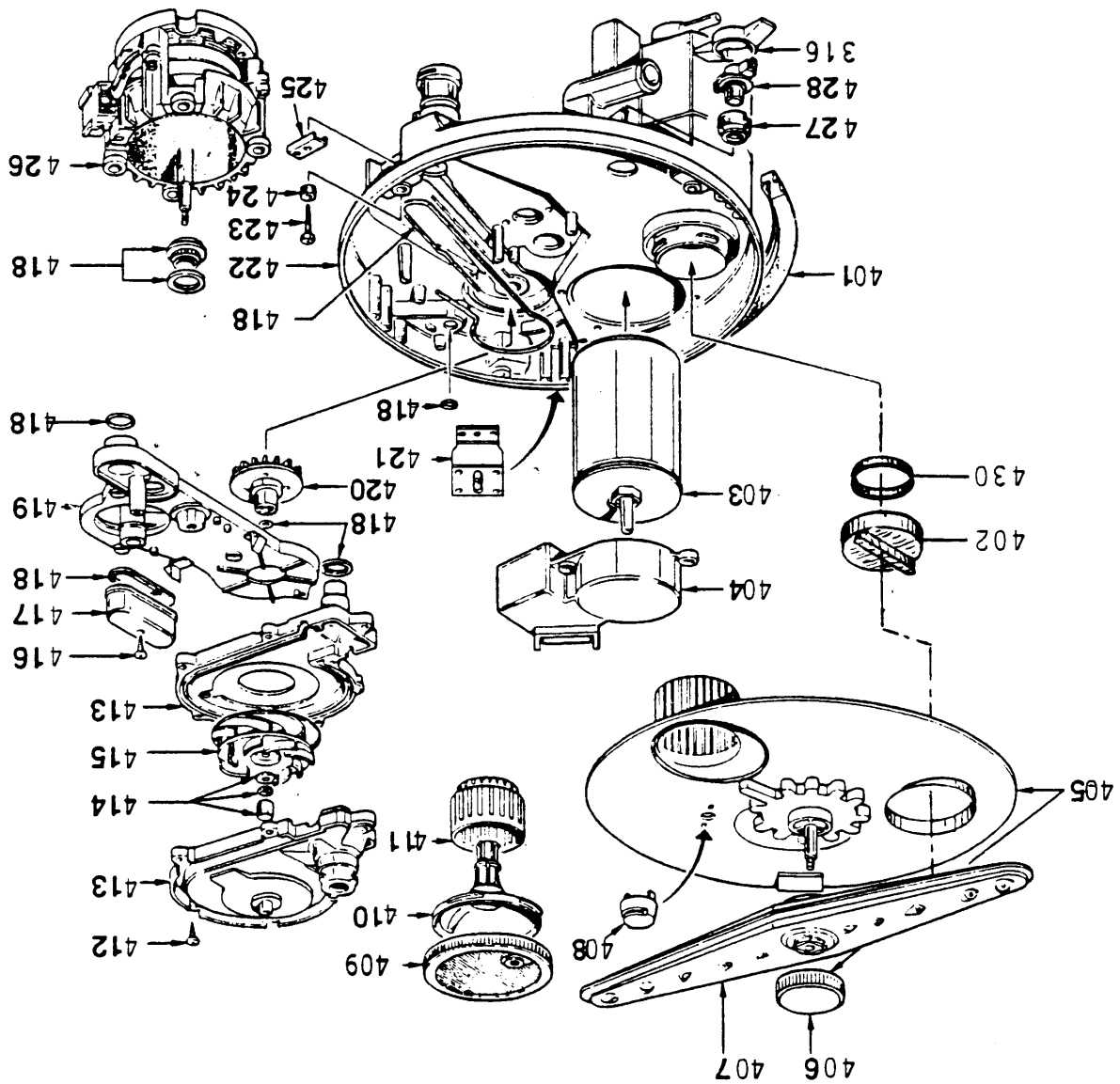


FIG. 4

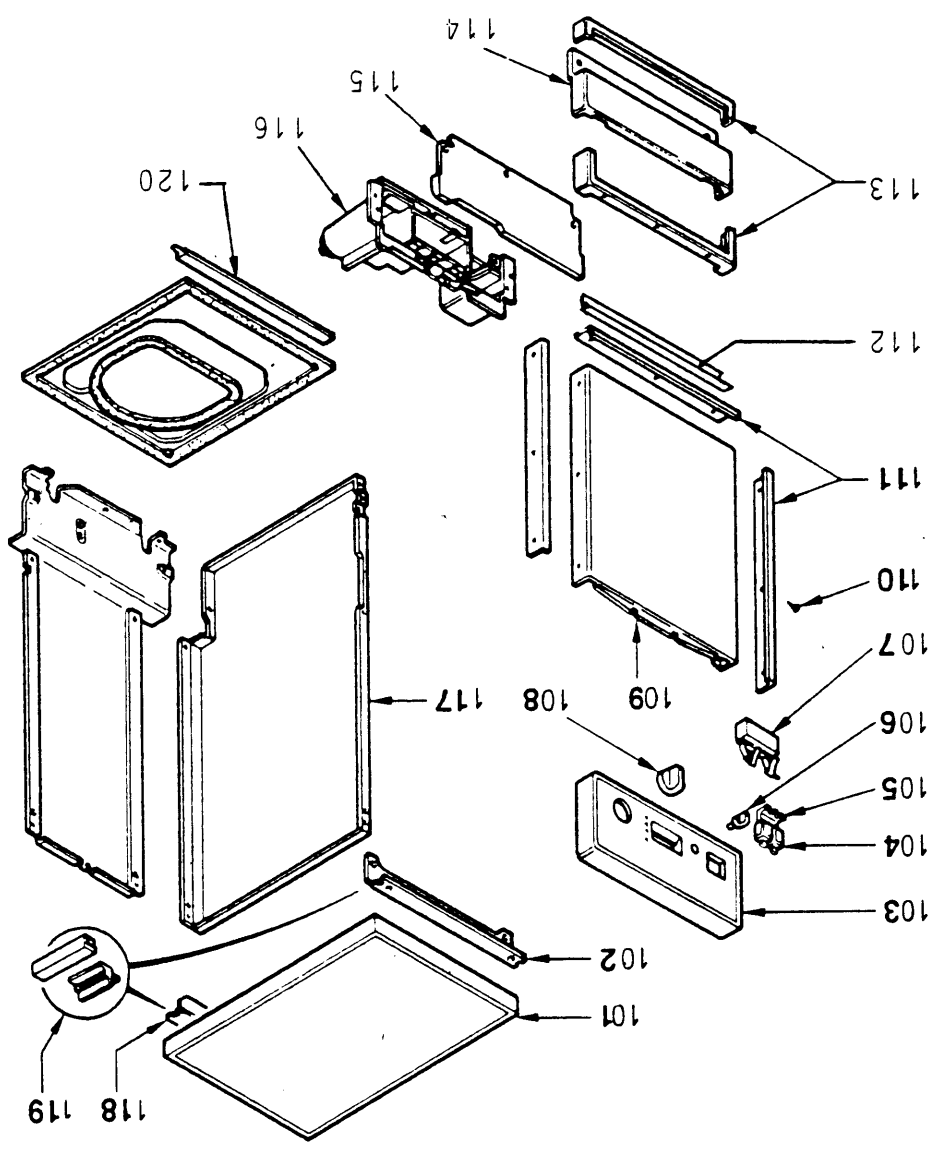


FIG. 1

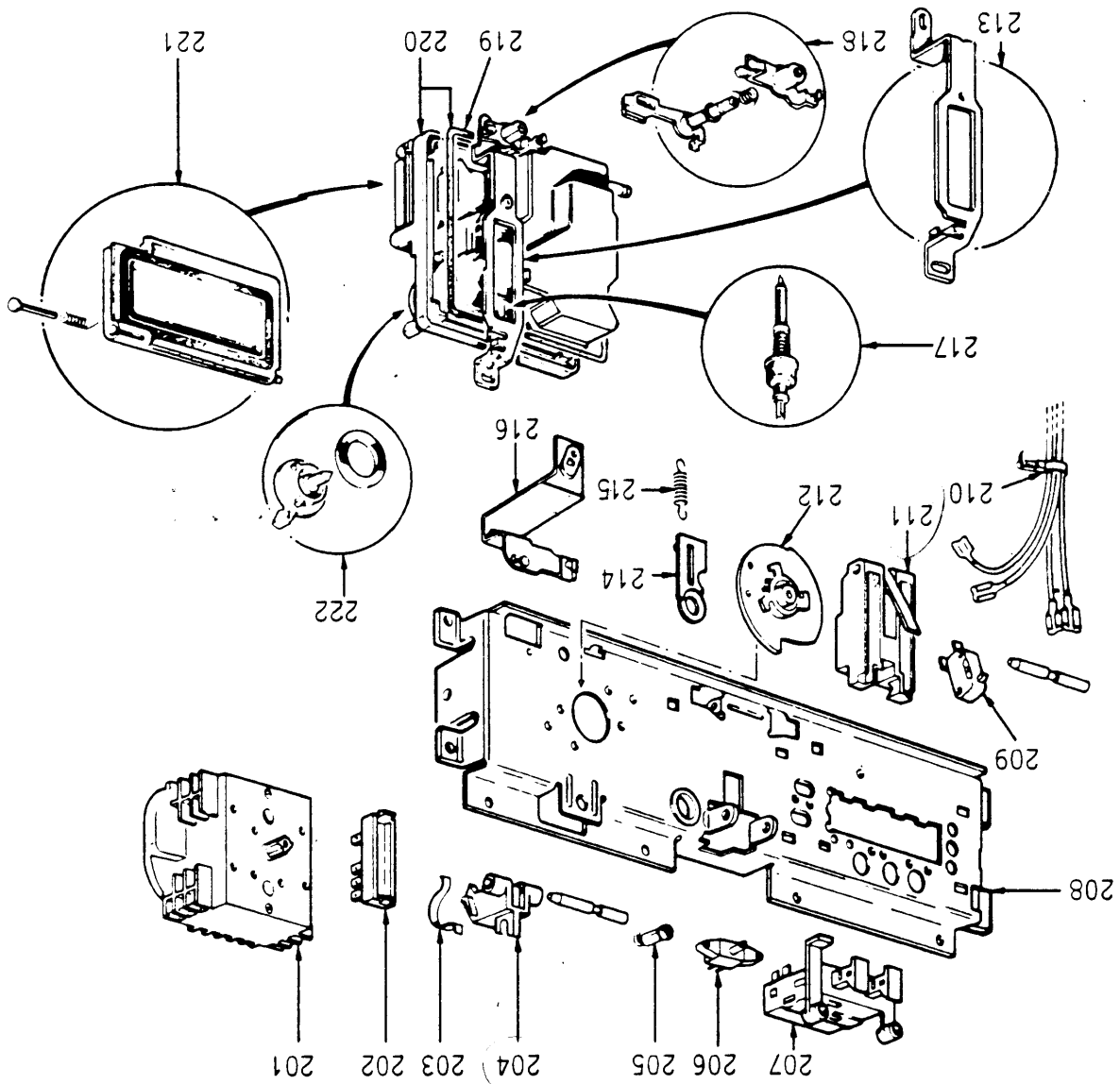


FIG.2

31 X 8077

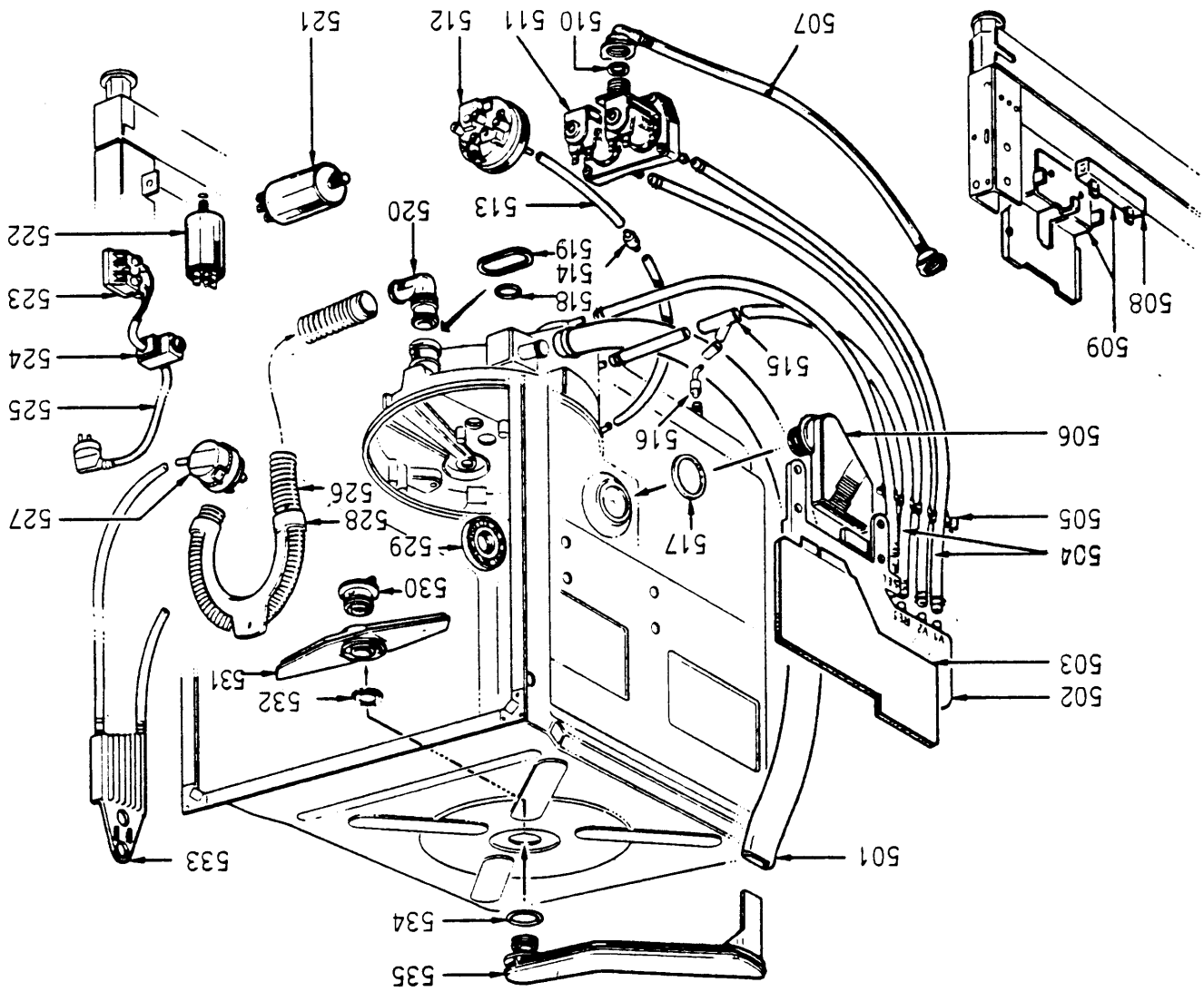


FIG.5

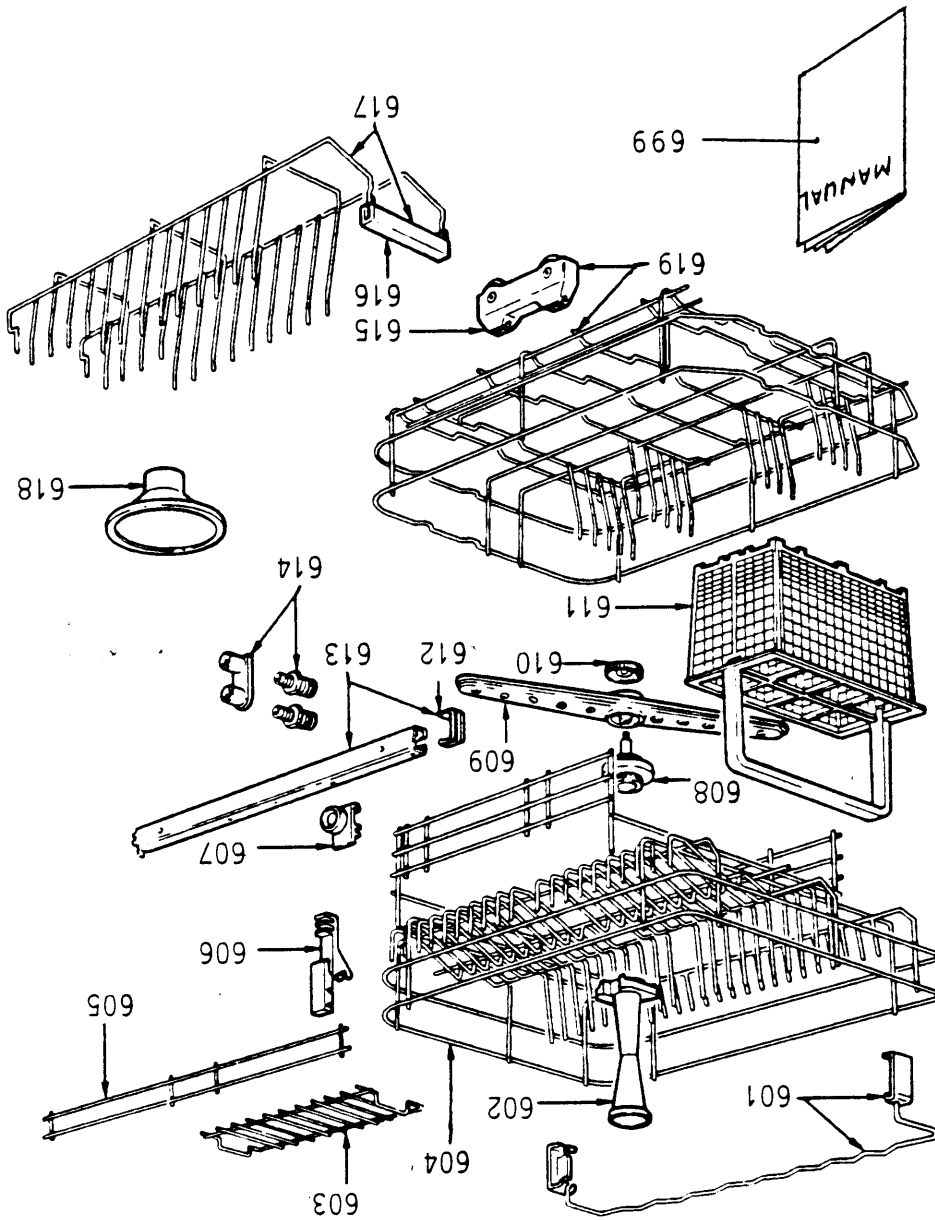


FIG.6