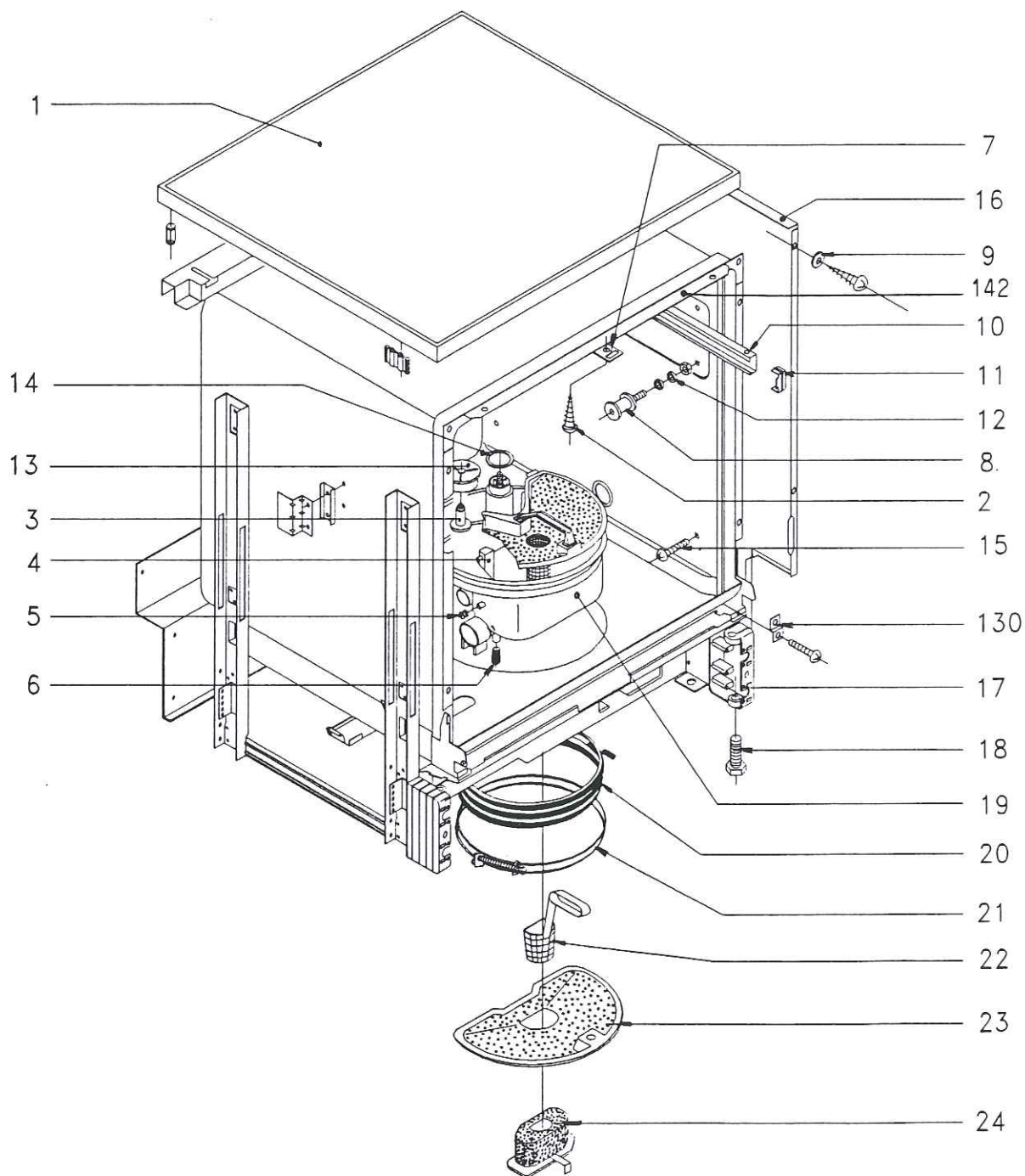


Fig. 1





Mod.	LV-80 EB	LV-88 EB	LV-93 EB	LV-98 EB
"	LV-83 EB	LV-88 IM	LV-95 EB	LV-98 IM
"	LV-83 EM	LV-88 IB	LV-95 EM	LV-98 IB
"	LV-83 IM	LVM-8	LV-95 IM	
"	LV-83 IB	LV-8 F	LV-95 IB	

Fig. 3

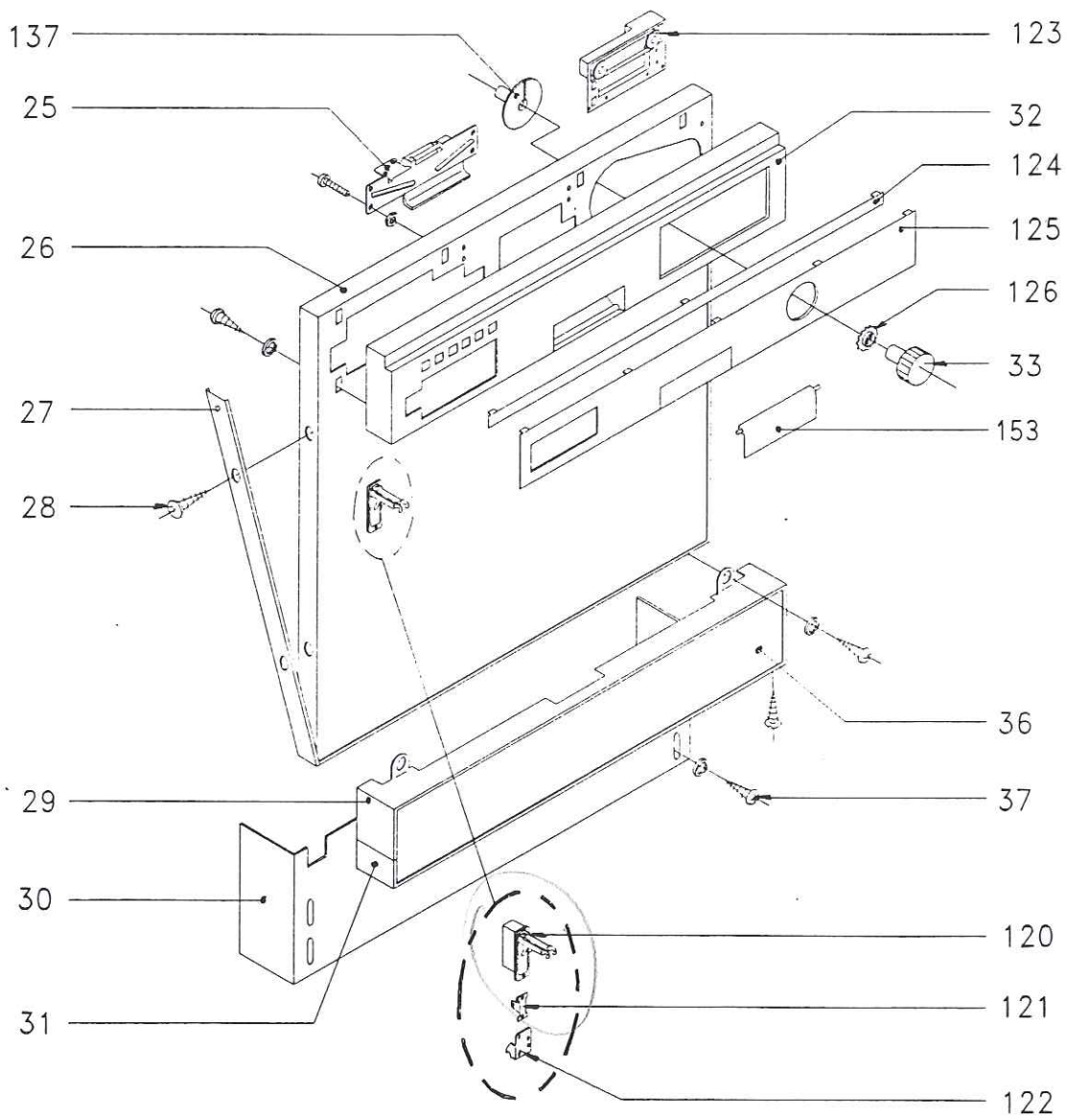


Fig. 5

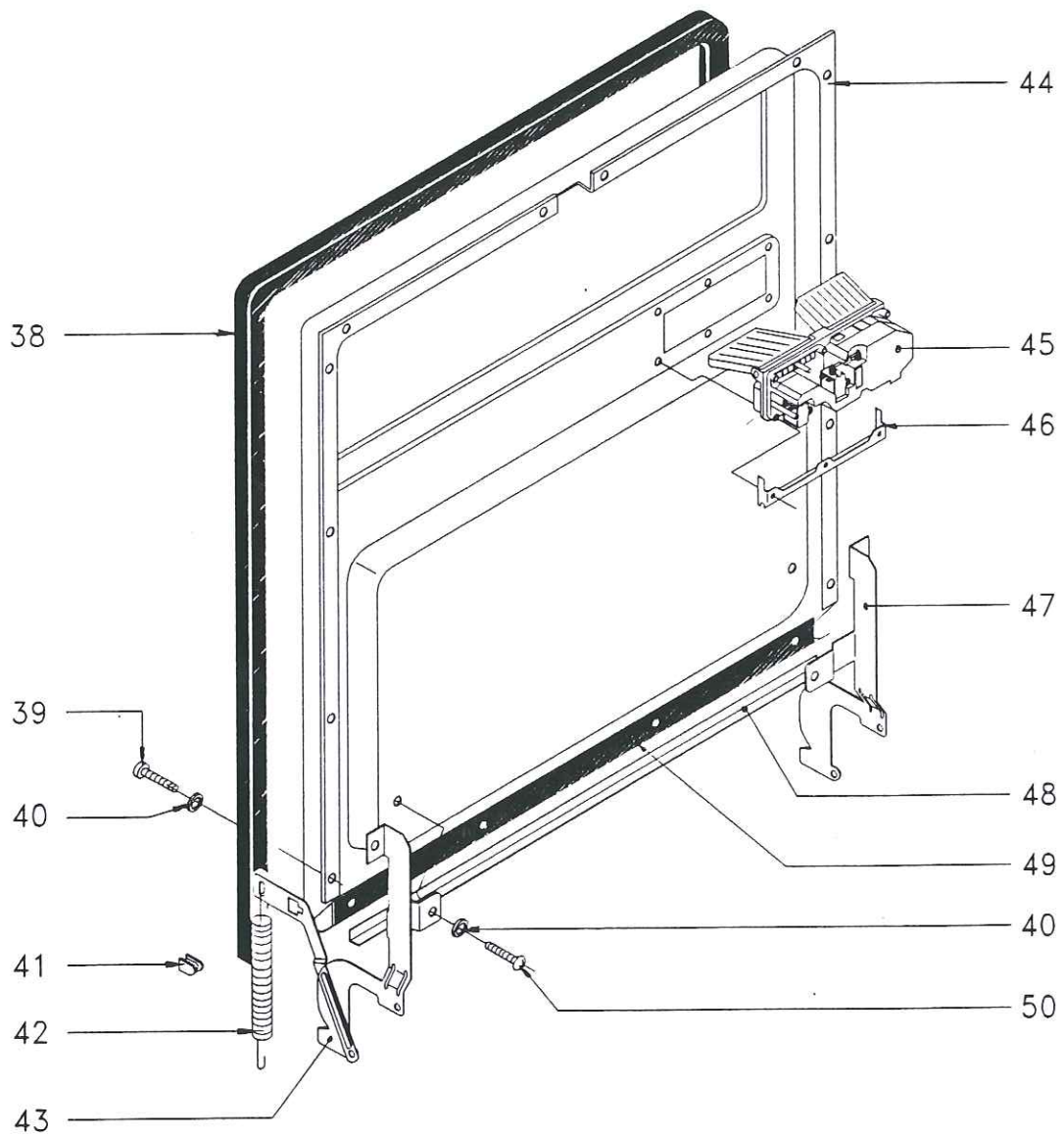
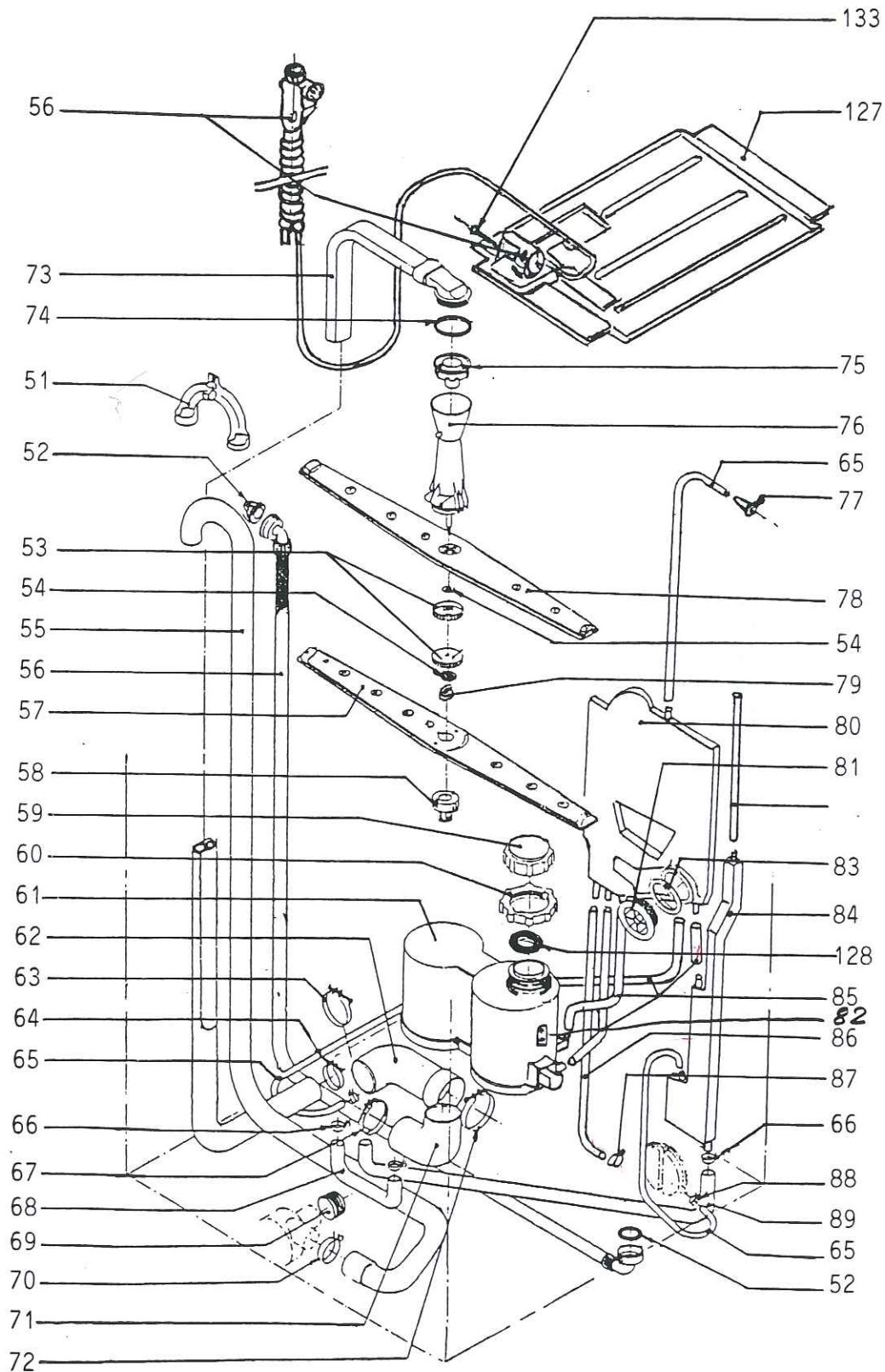


Fig. 6



944 664 300



Todos los modelos excepto: Mod. LV-90 EL EB

" LV-91 EB

" LV-99 EB

" LV-100 EB

Fig. 7

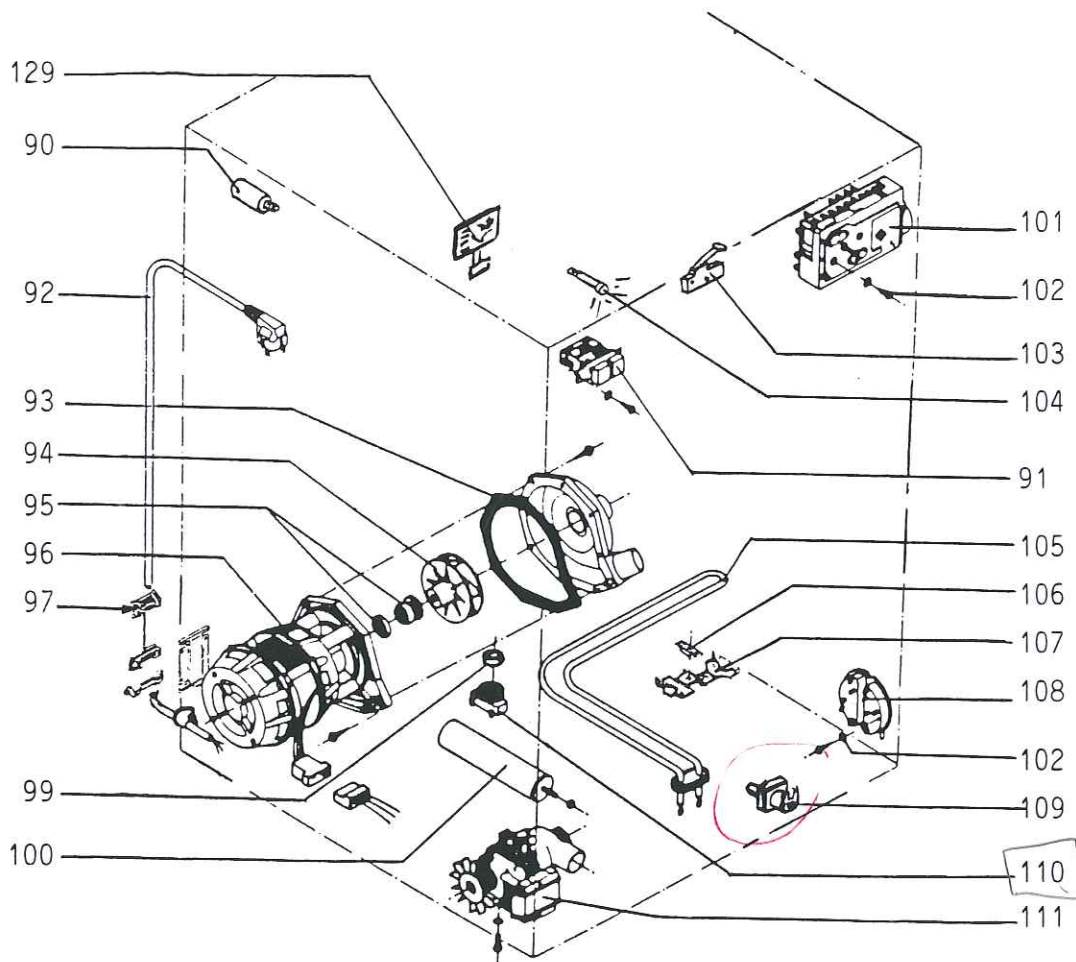


Fig. 9

