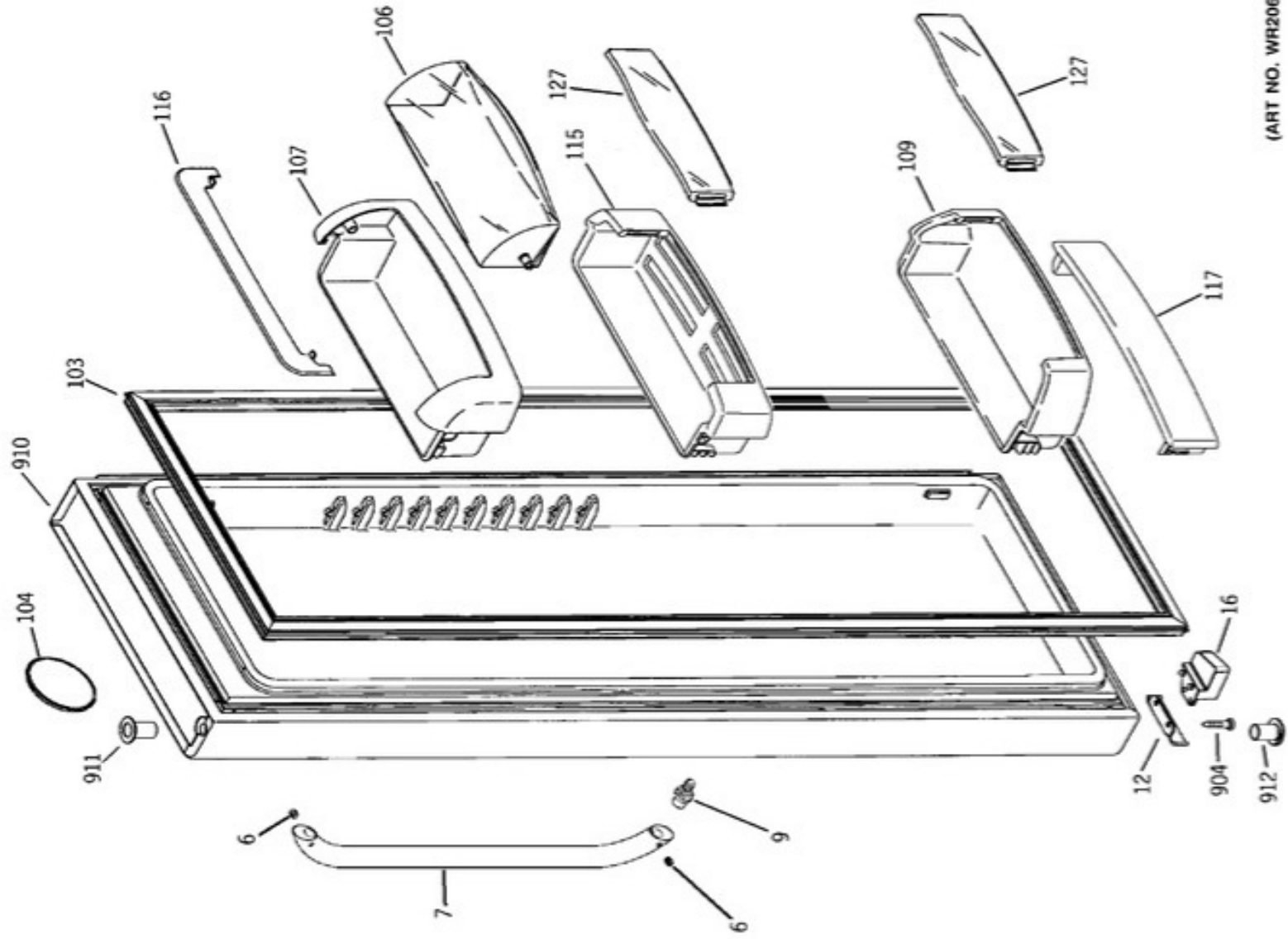
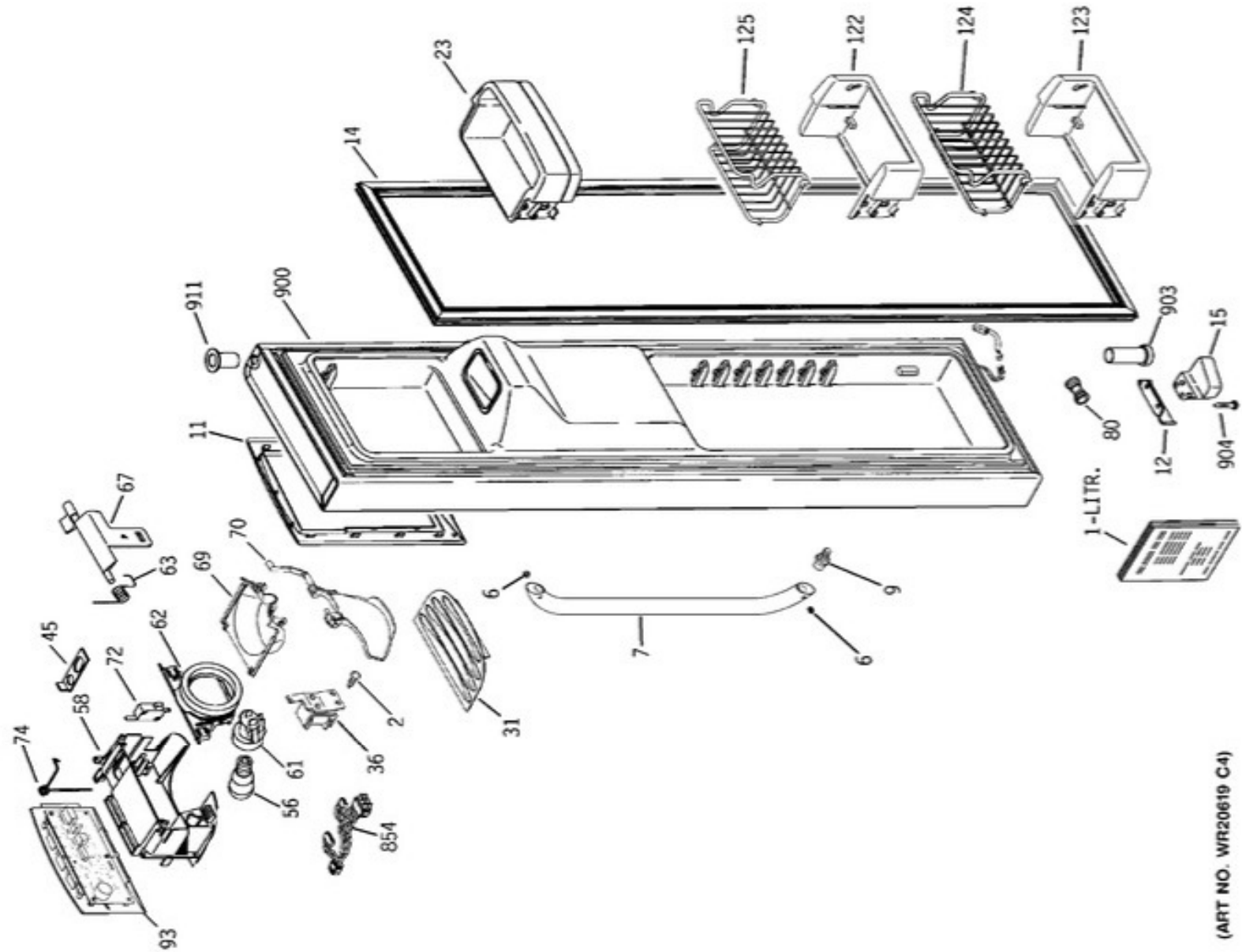


(ART NO. WR20620 C)

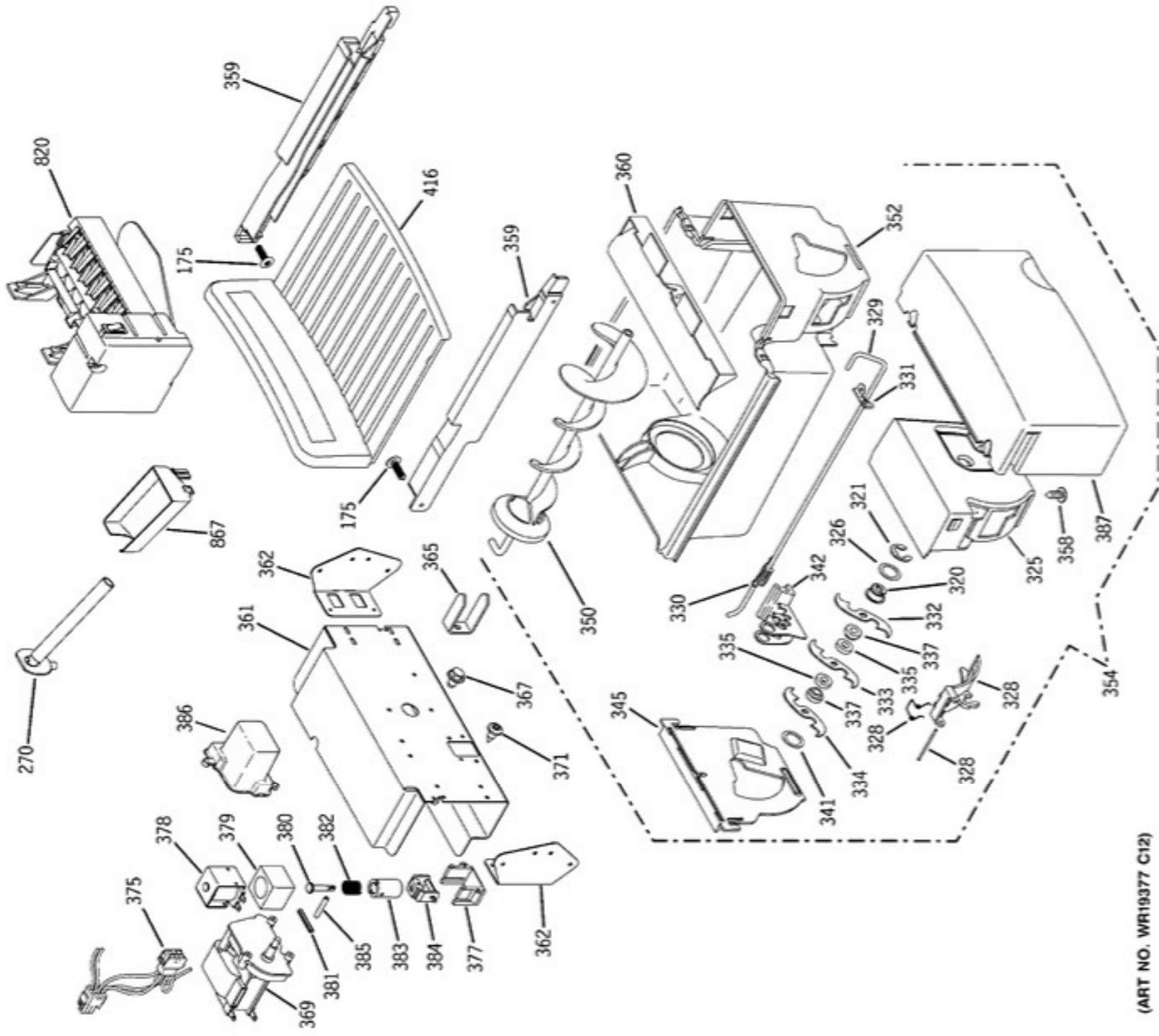




(ART NO. WR20621 C2)



(ART NO. WR20619 C4)



(ART NO. WR19377 C12)