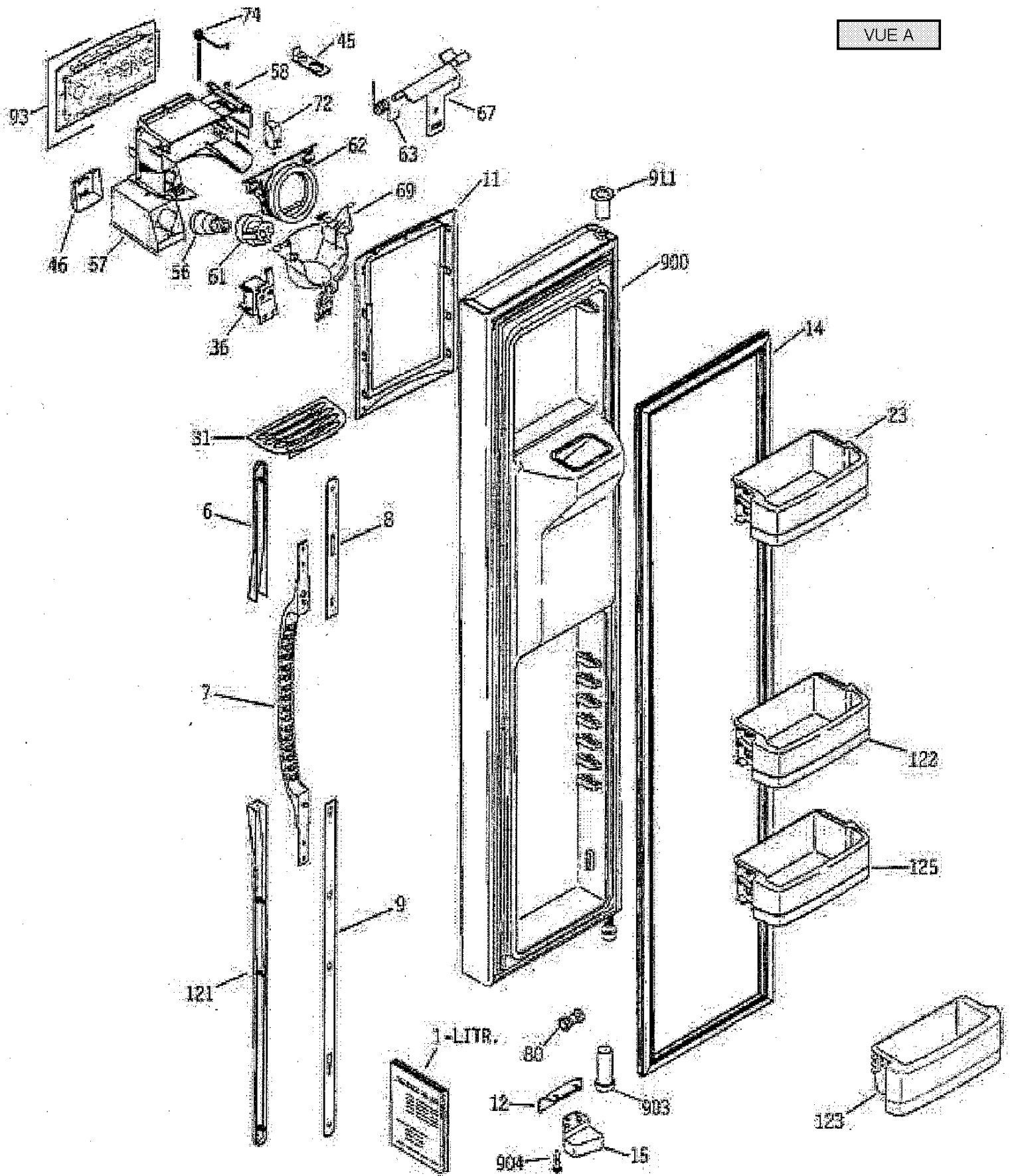
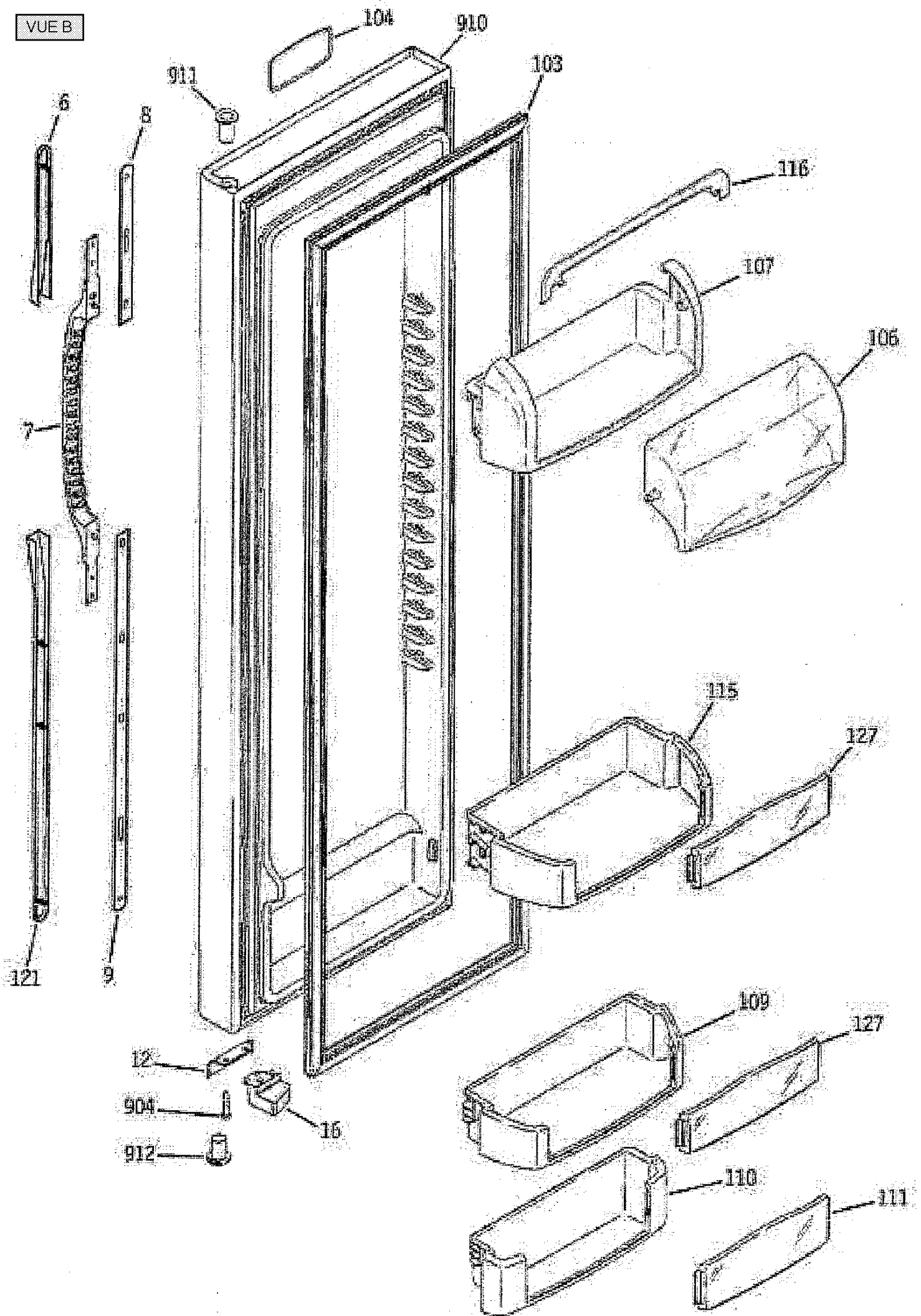


VUE A

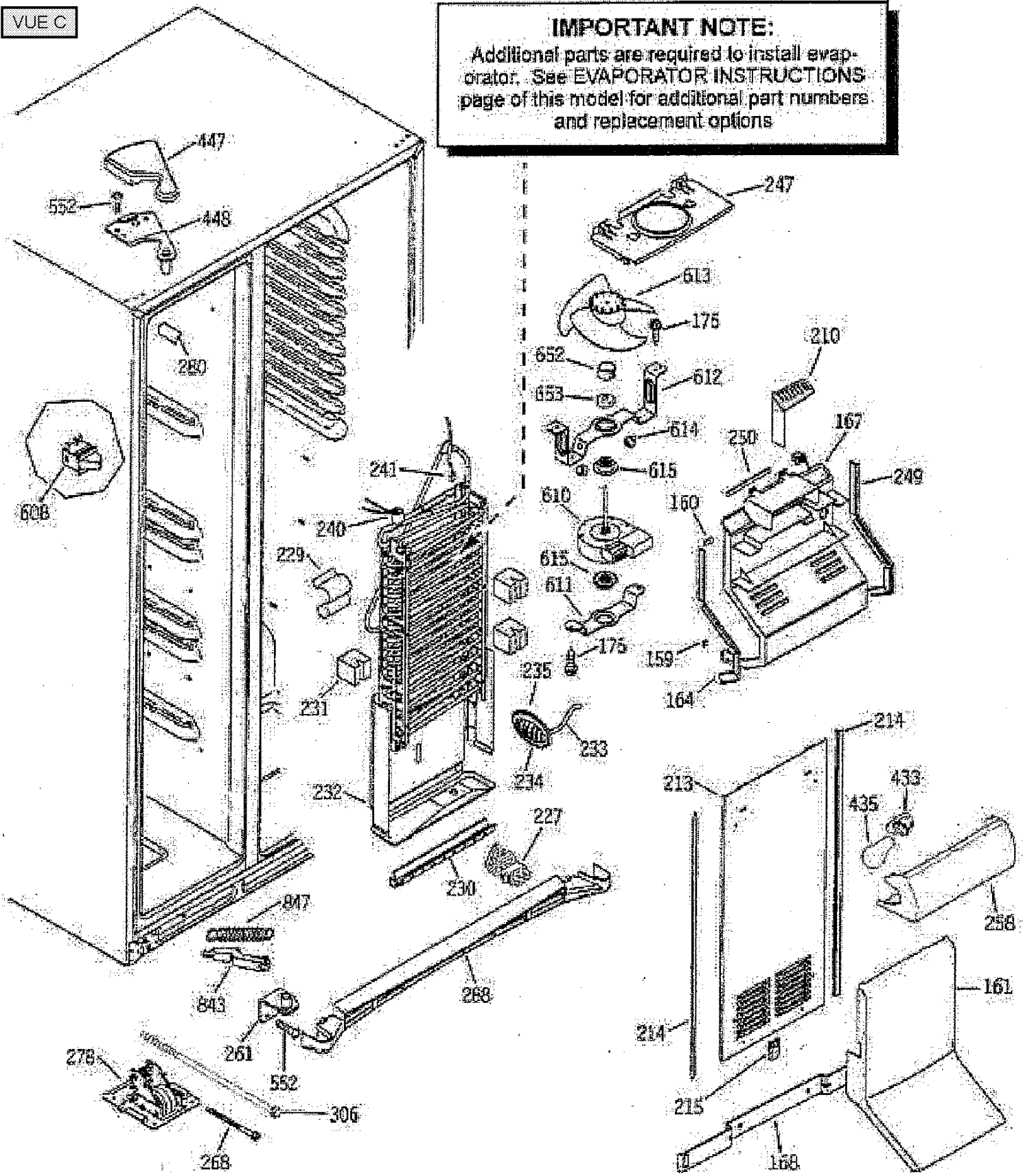


VUE B

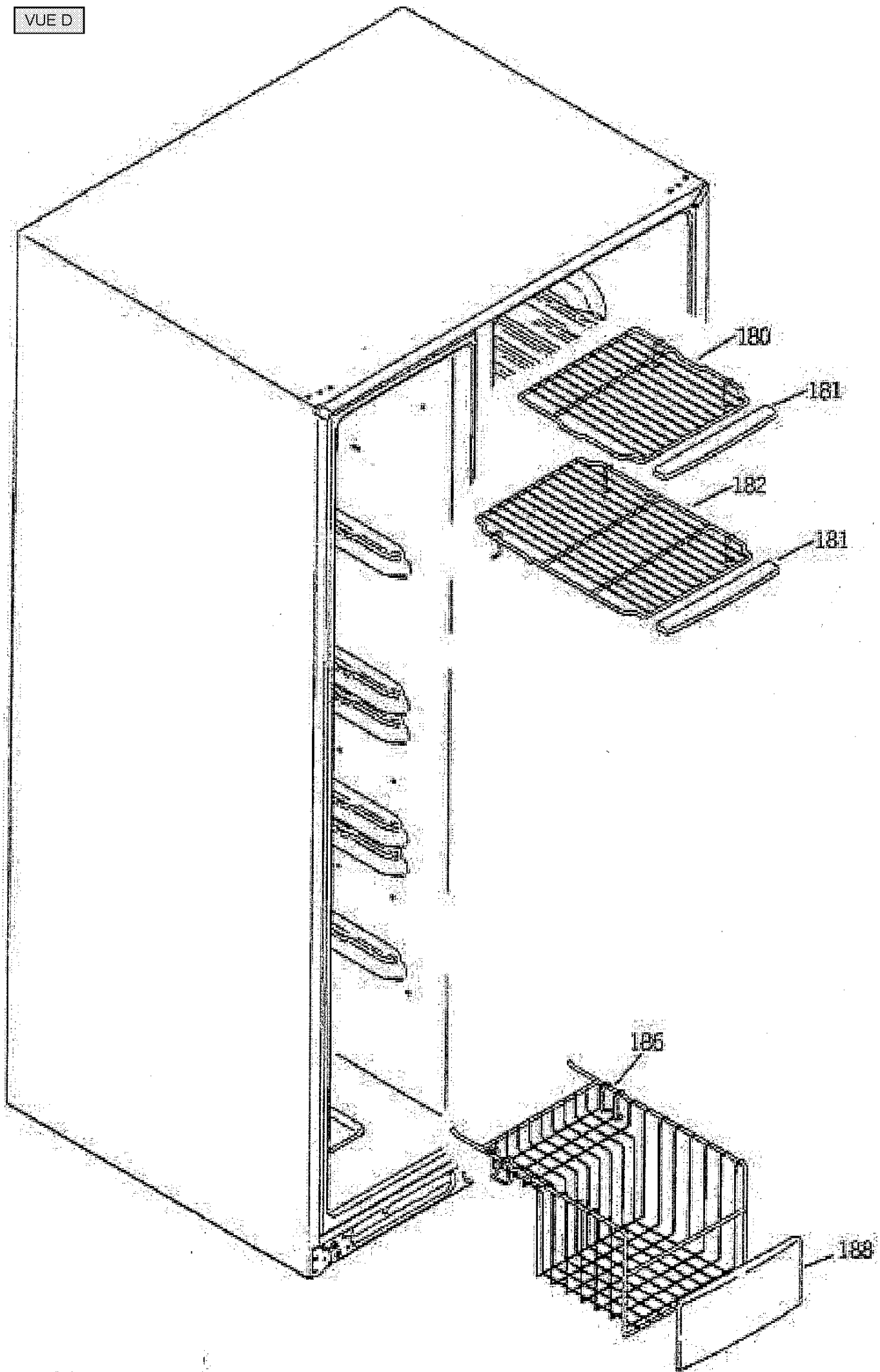


VUE C

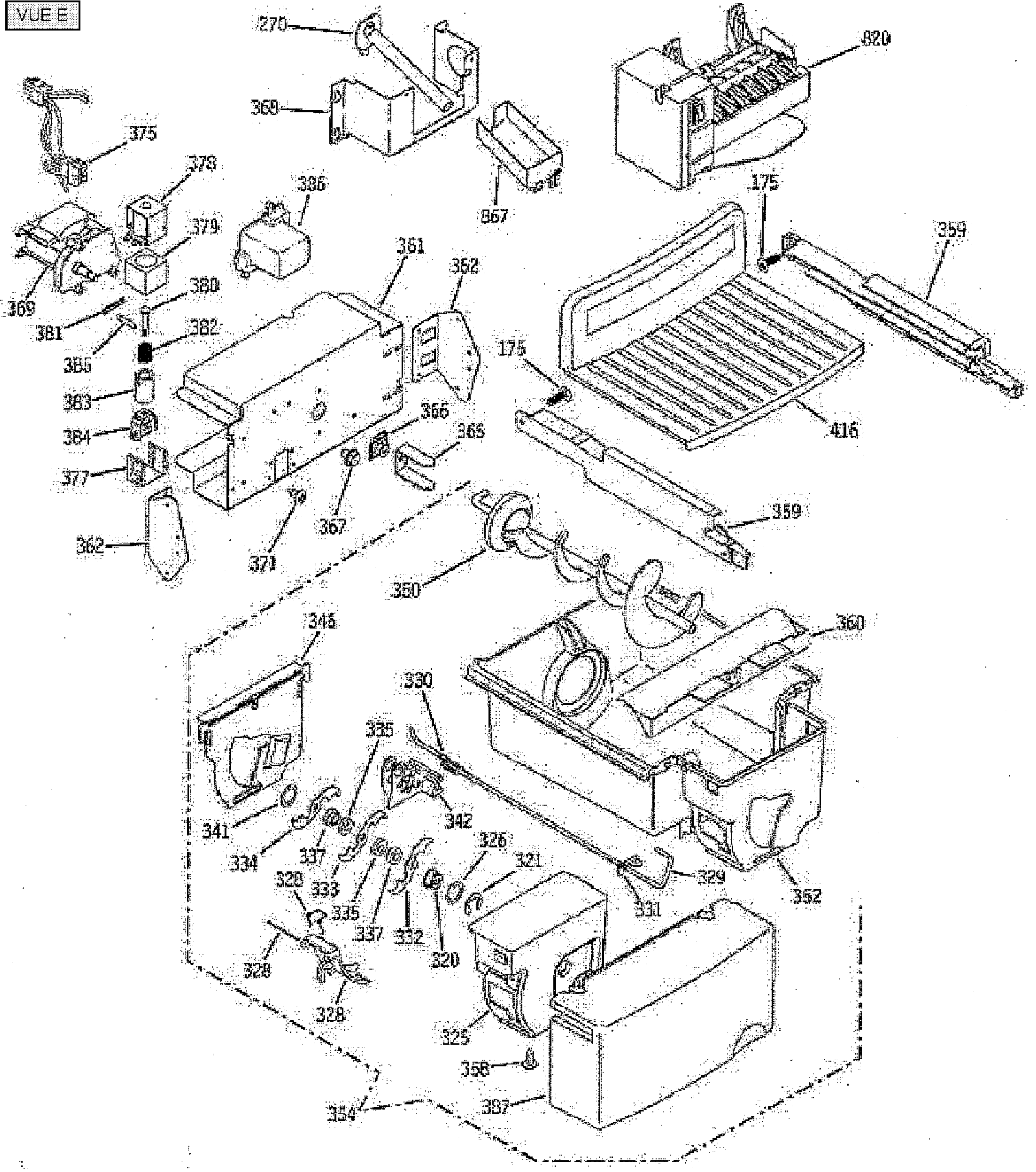
**IMPORTANT NOTE:**  
Additional parts are required to install evaporator. See EVAPORATOR INSTRUCTIONS page of this model for additional part numbers and replacement options



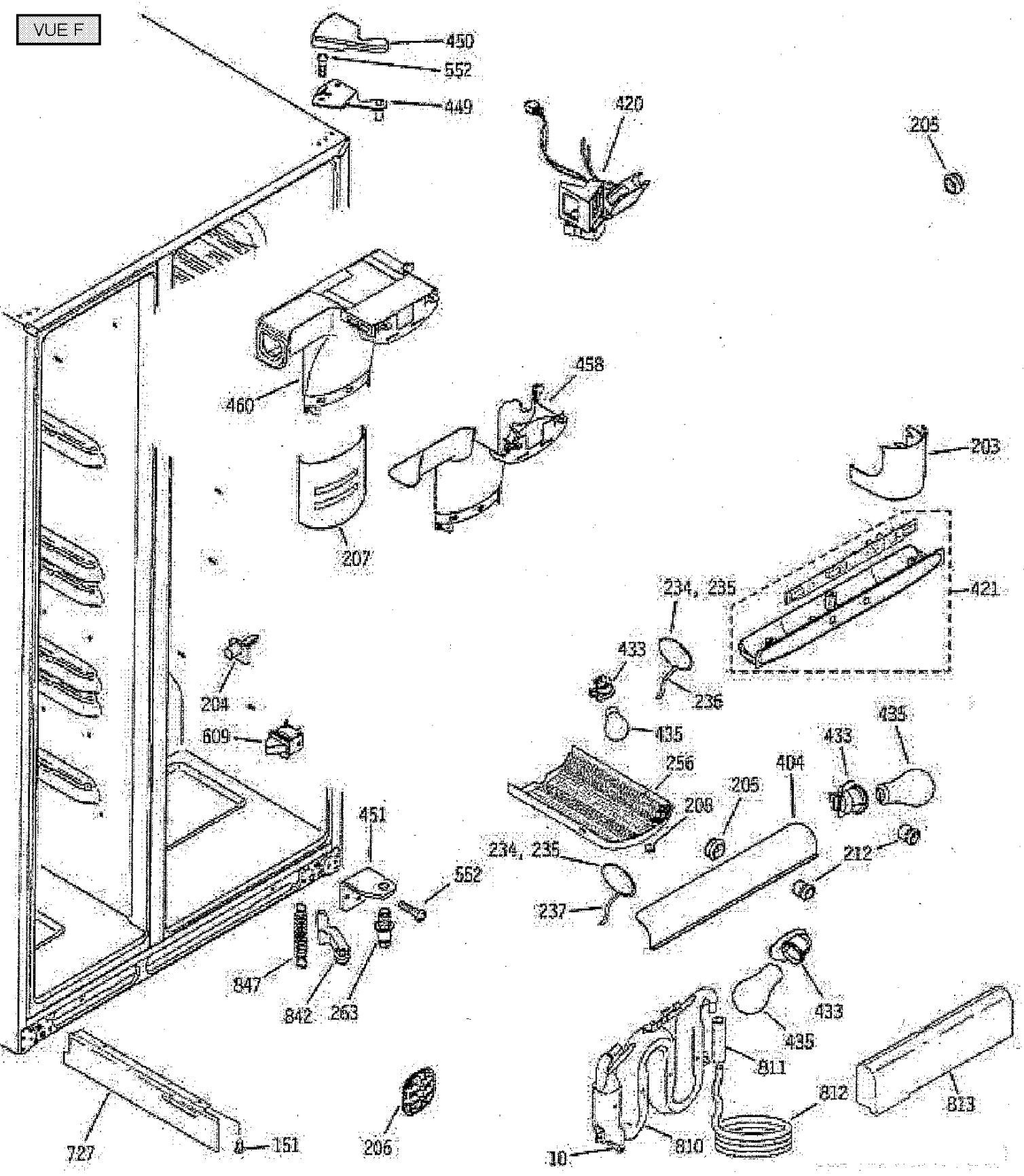
VUE D



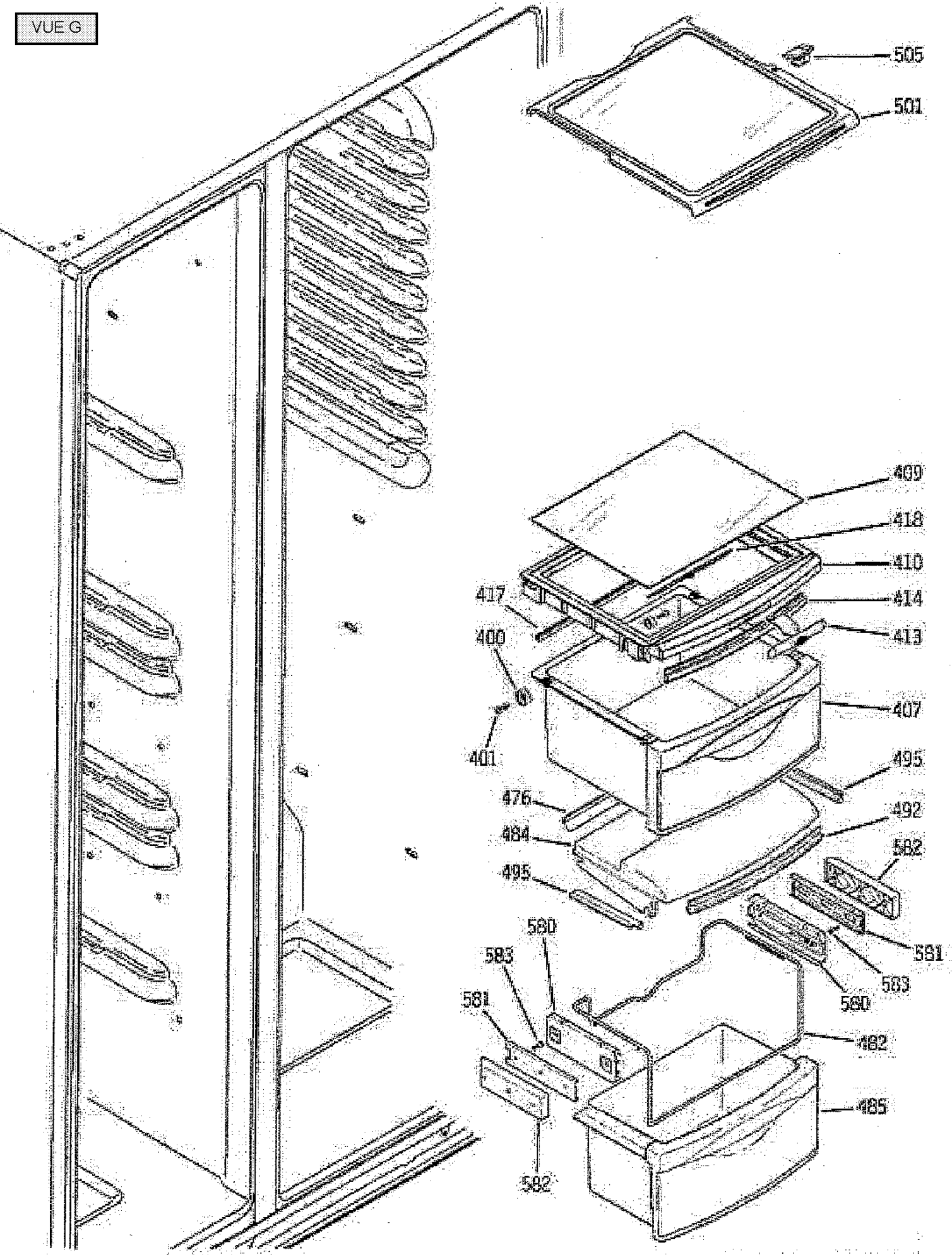
VUE E



VUE F



VUE G



VUE H

