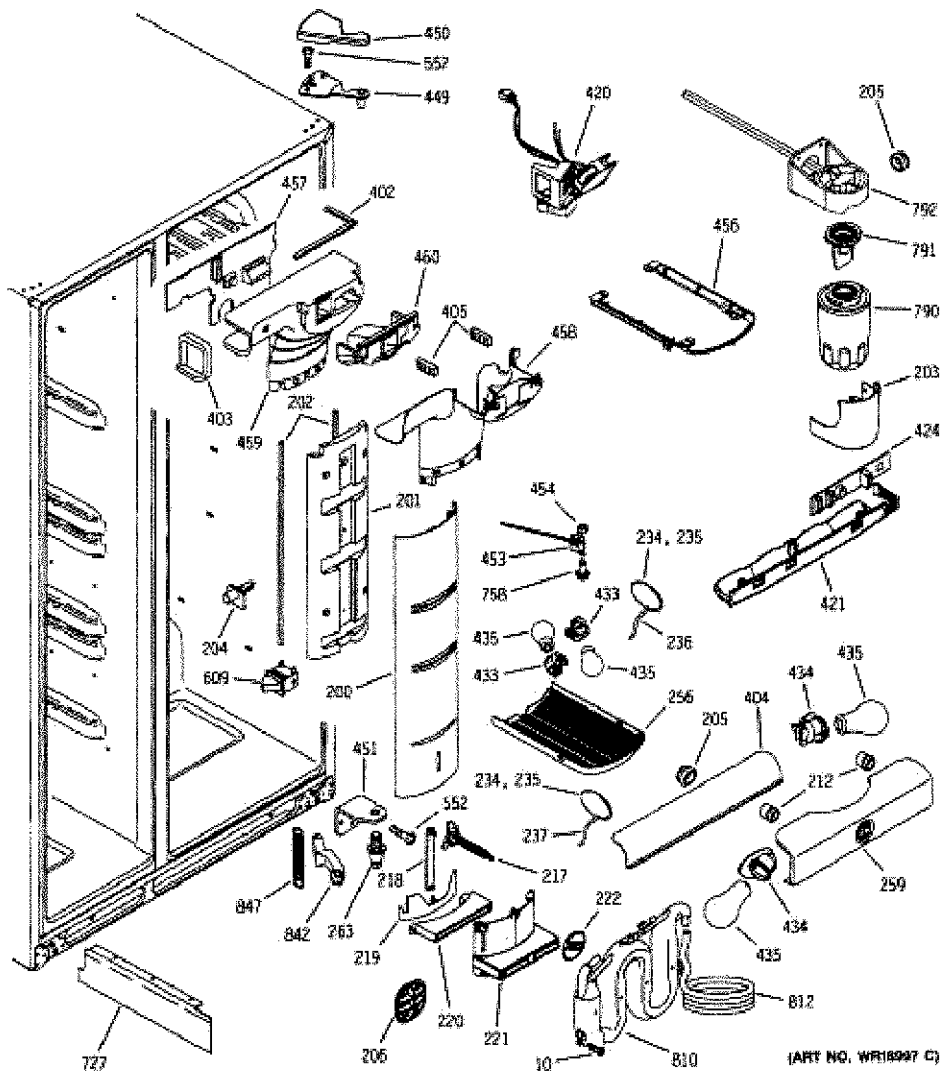
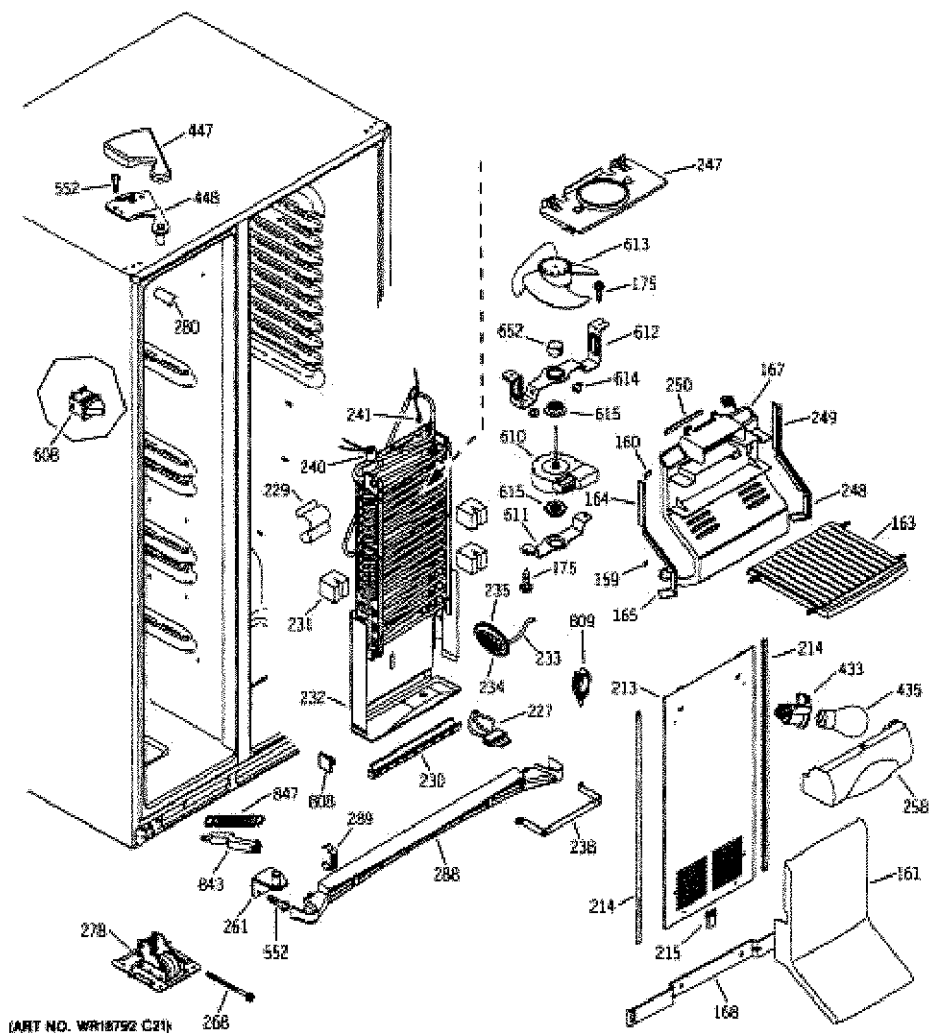
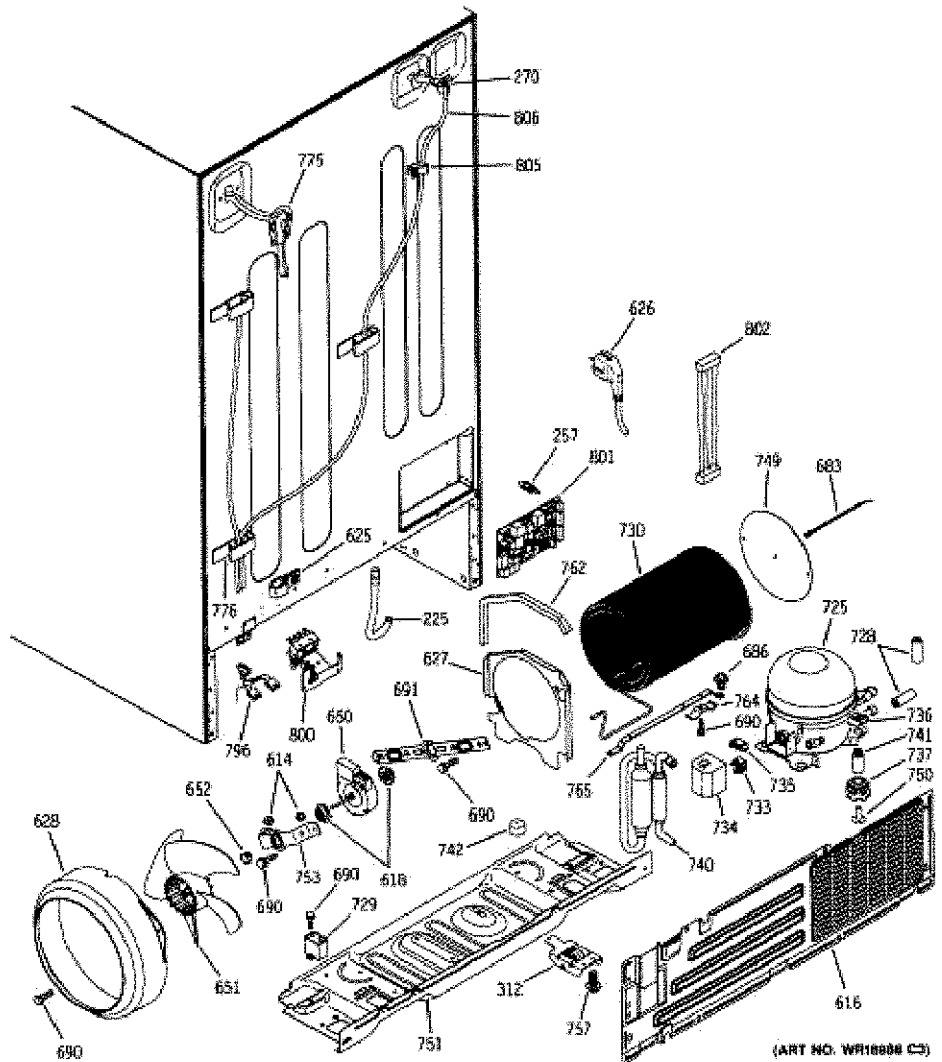


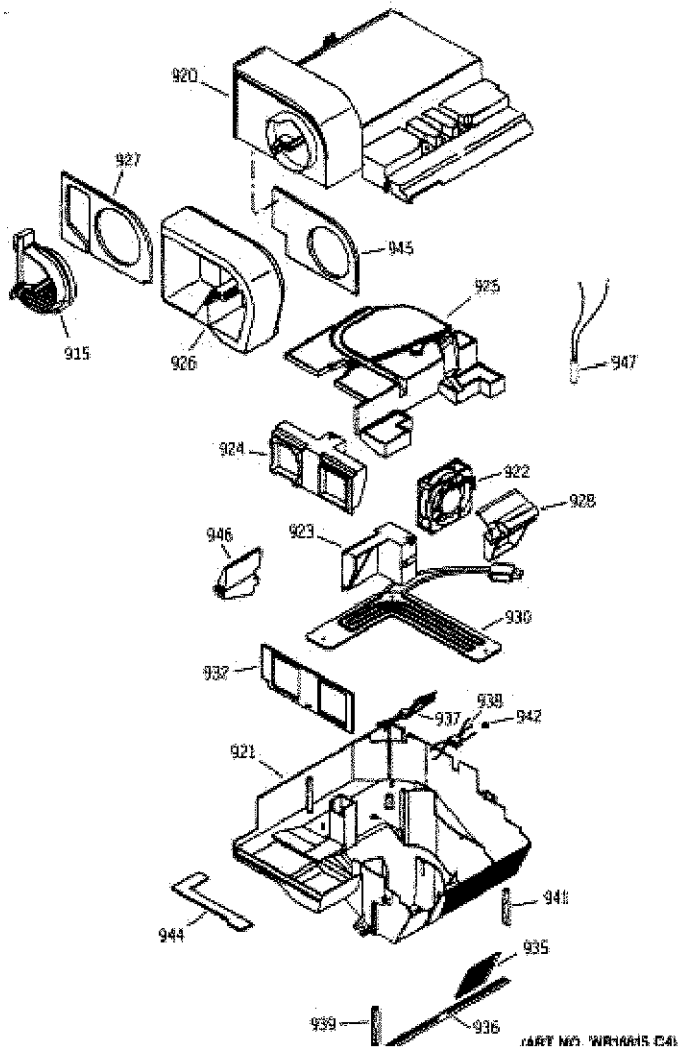
PSG29NHCBB
PSG29NHMACBB
PSG29NHMACBB

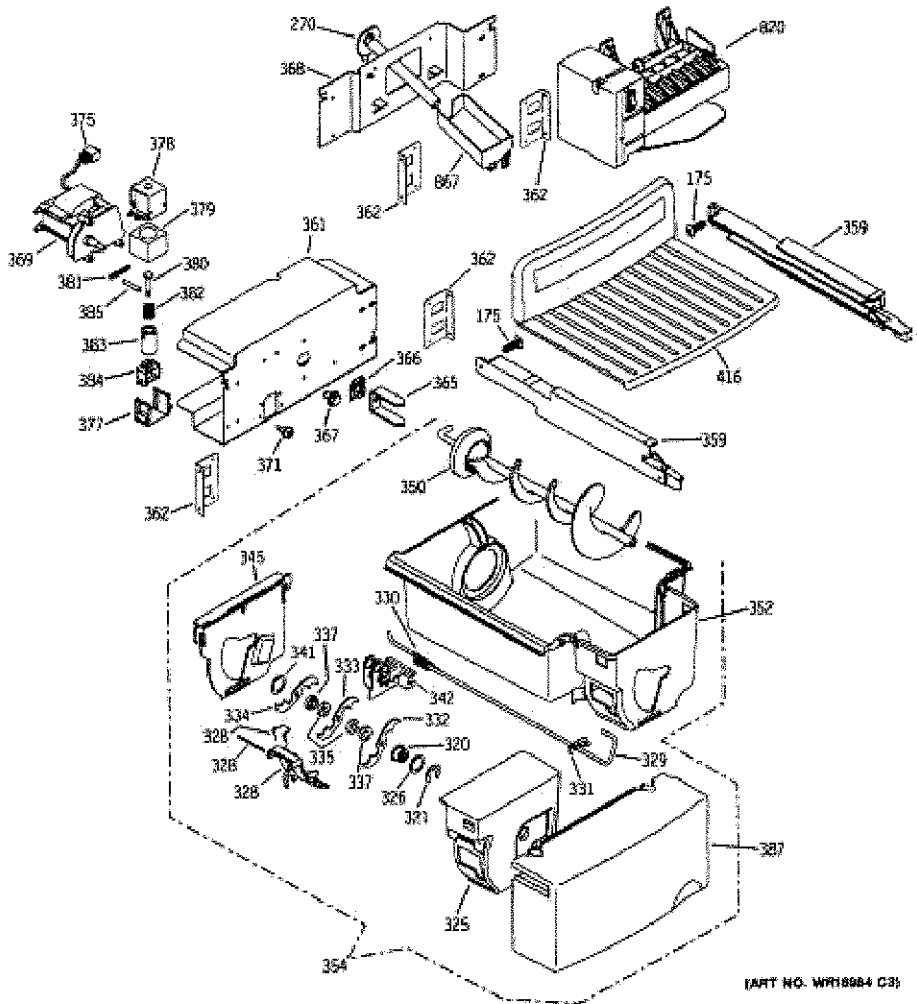
GENERAL ELECTRIC

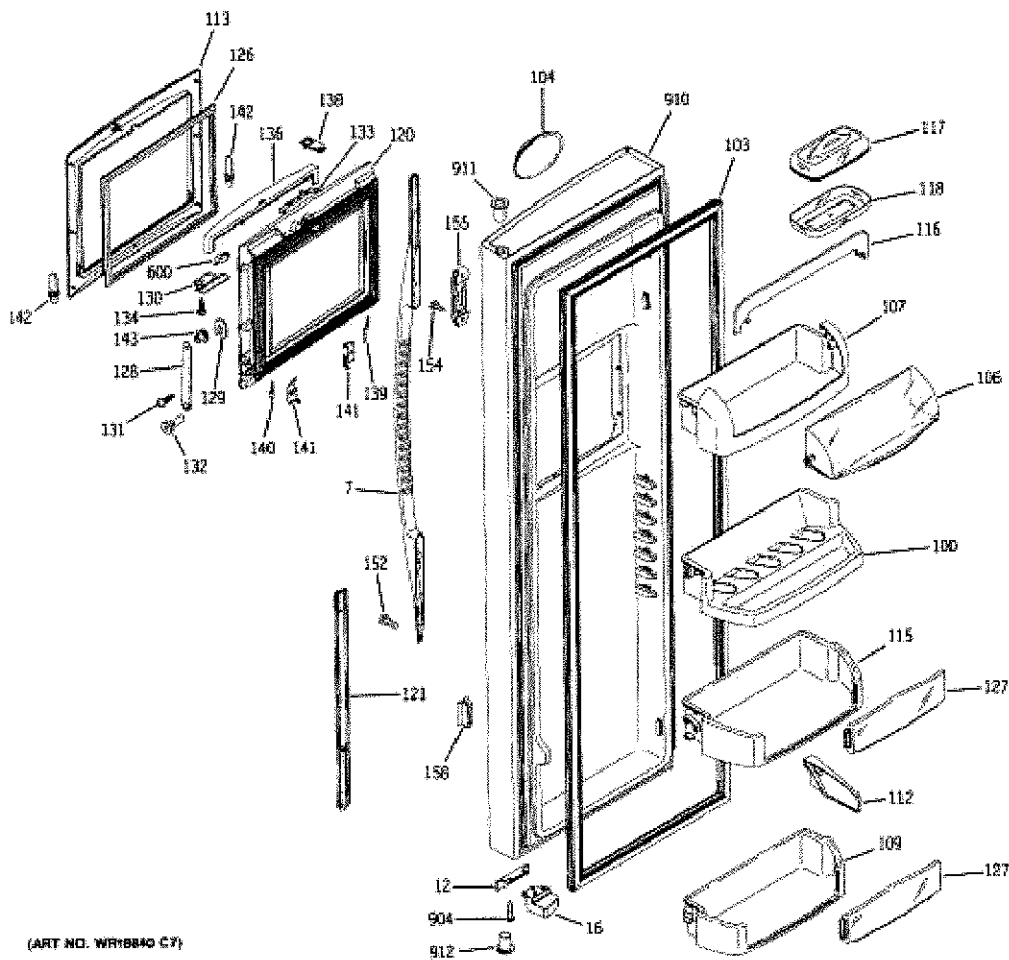




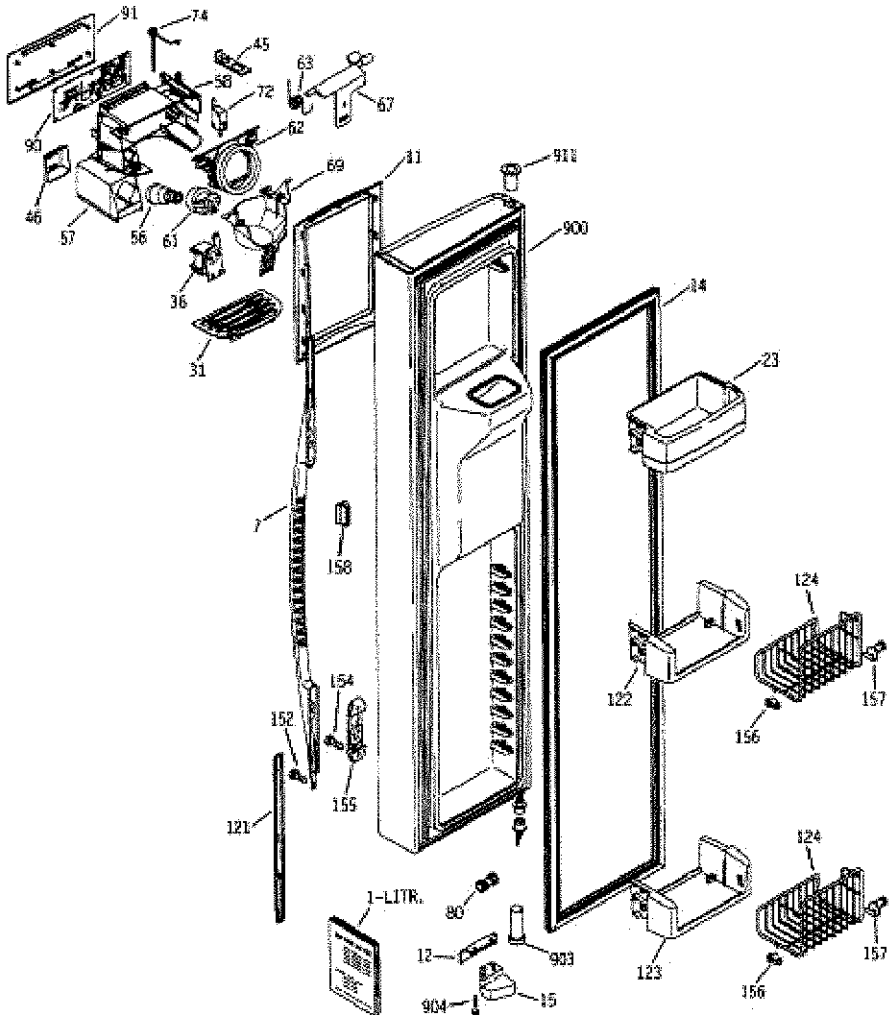




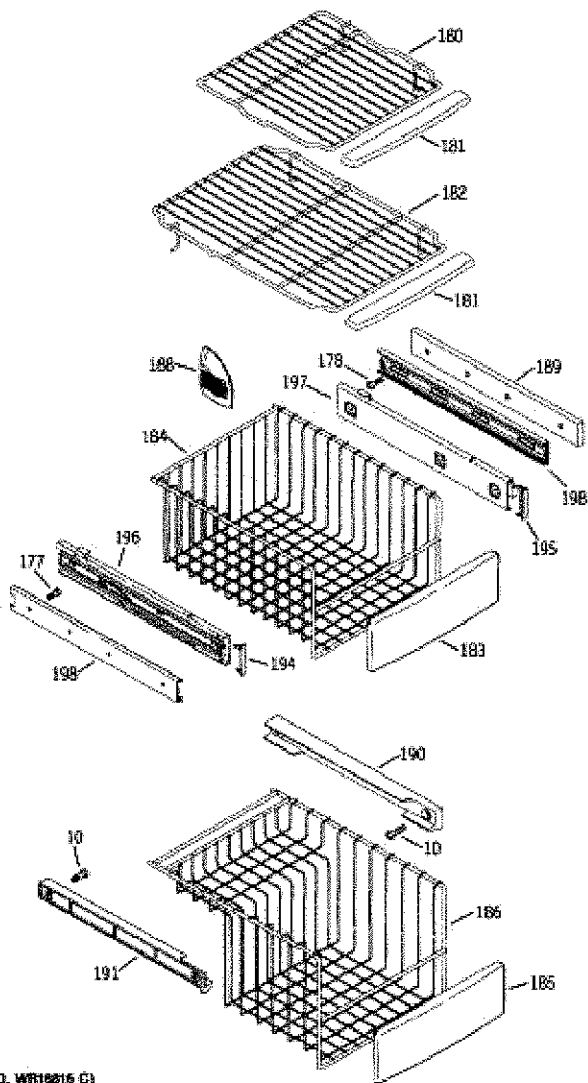


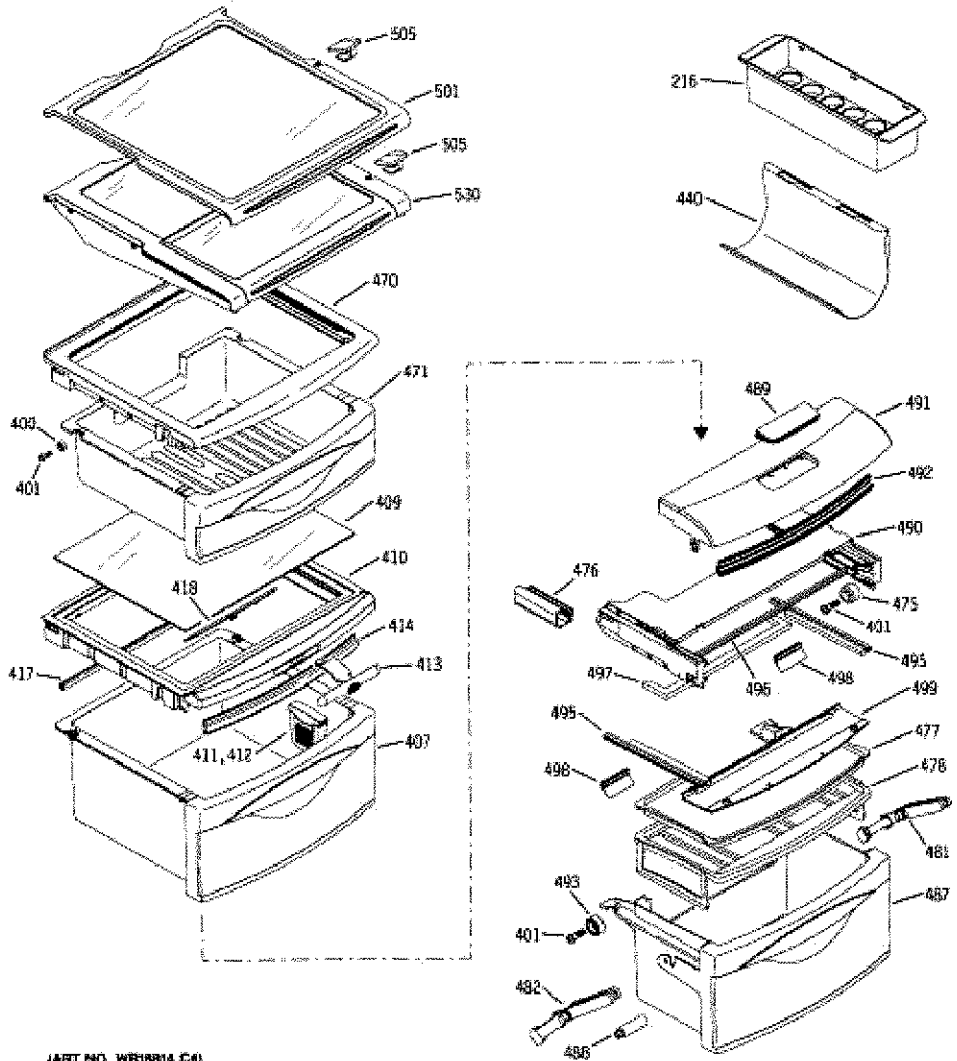


(ART. NO. WR18840 C7)



(ART. NO. WR19010-C3)





(ART. NO. WR18814 C4)