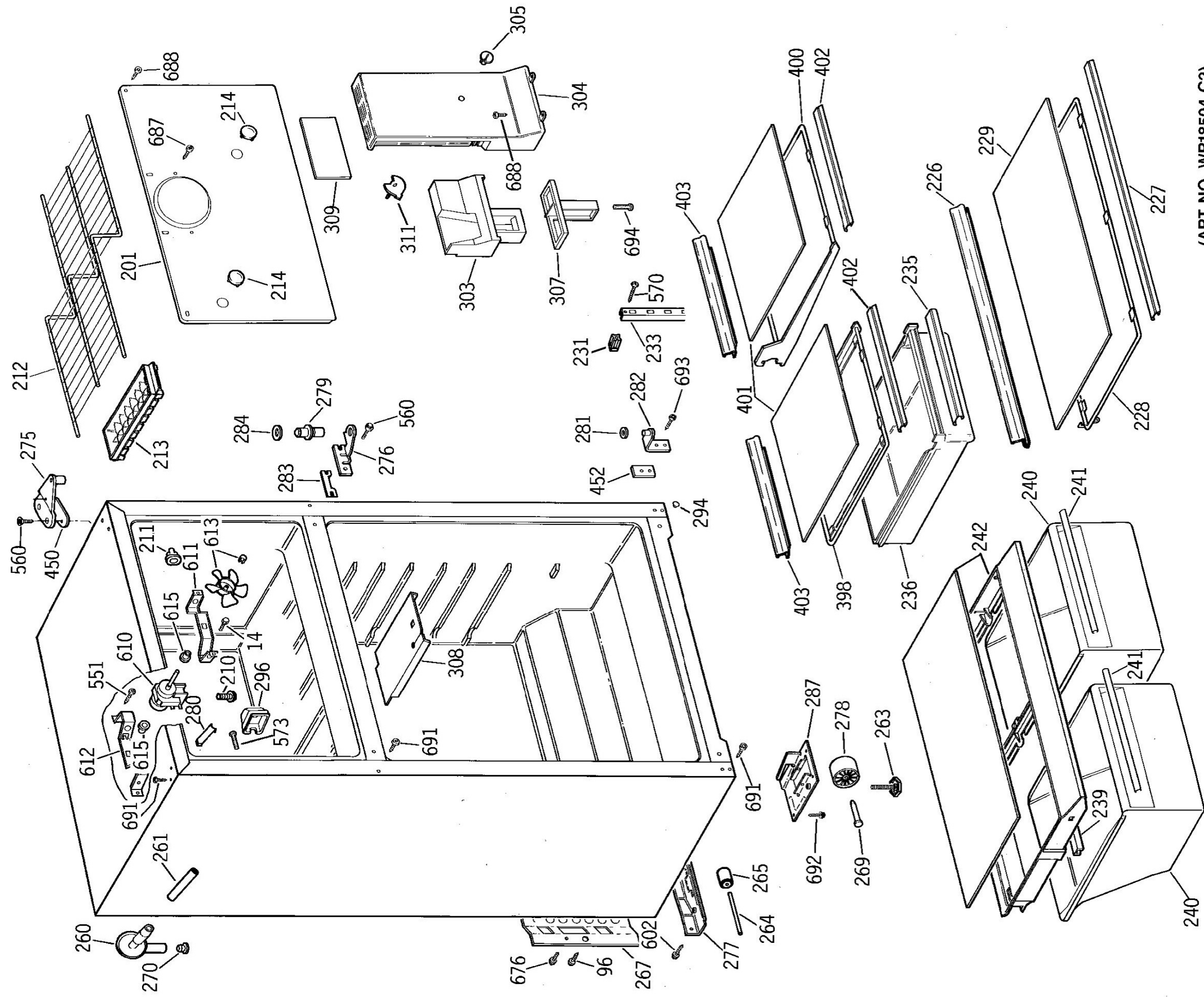
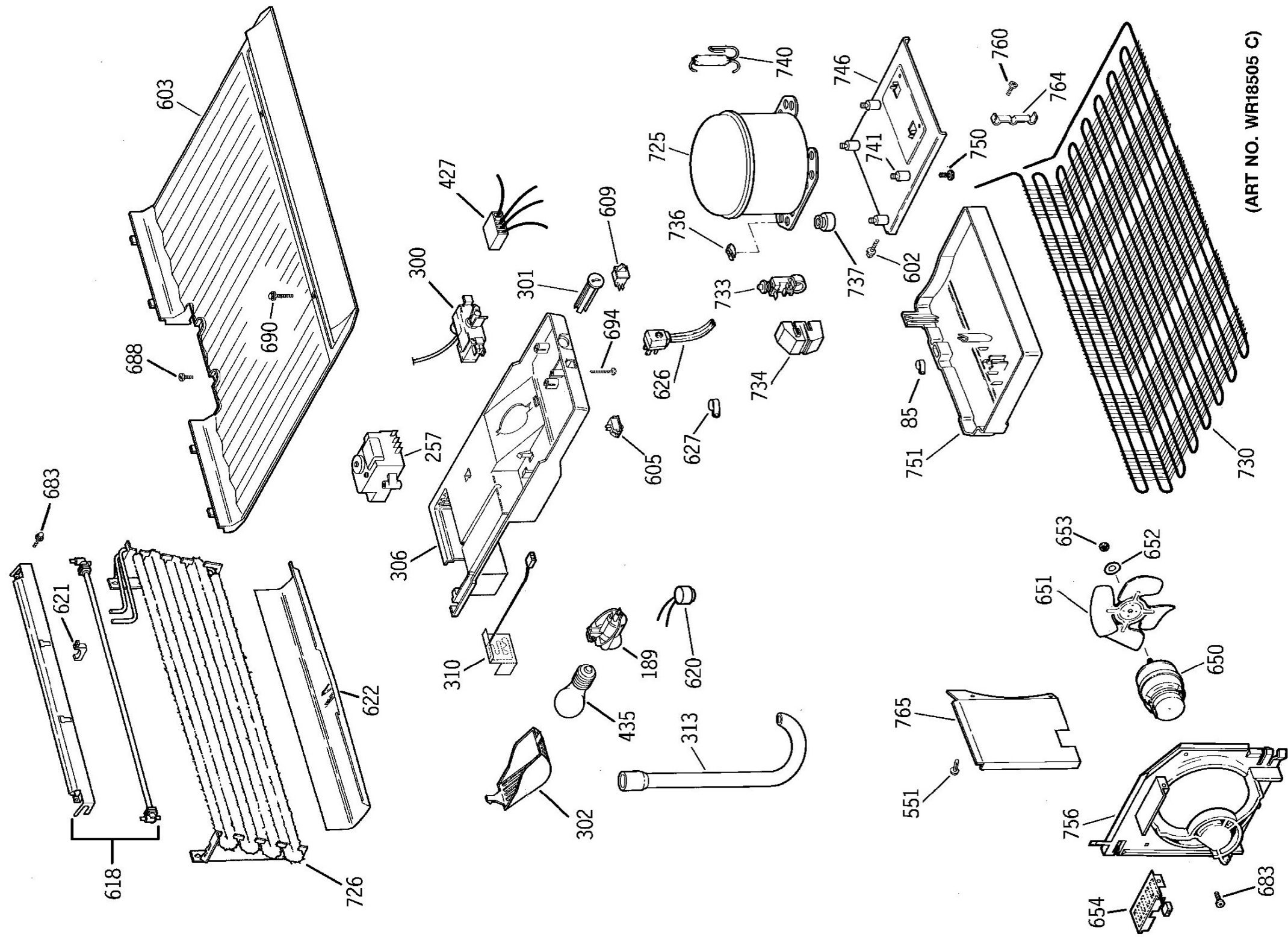


(ART NO. WR18475 C8)



(ART NO. WR18504 C2)



(ART NO. WR18505 C)