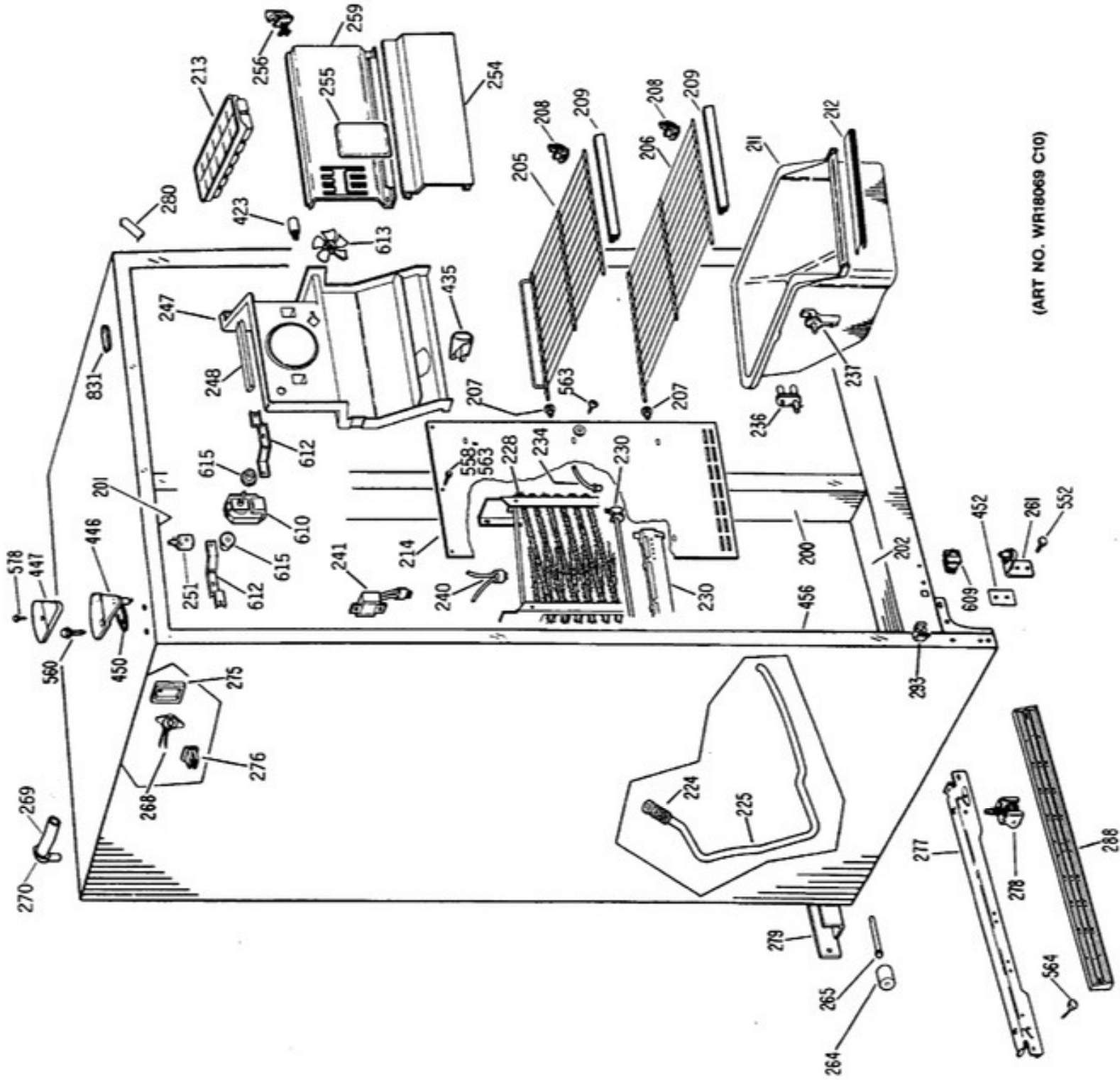




FREEZER SECTION



(ART NO. WR18069 C10)

