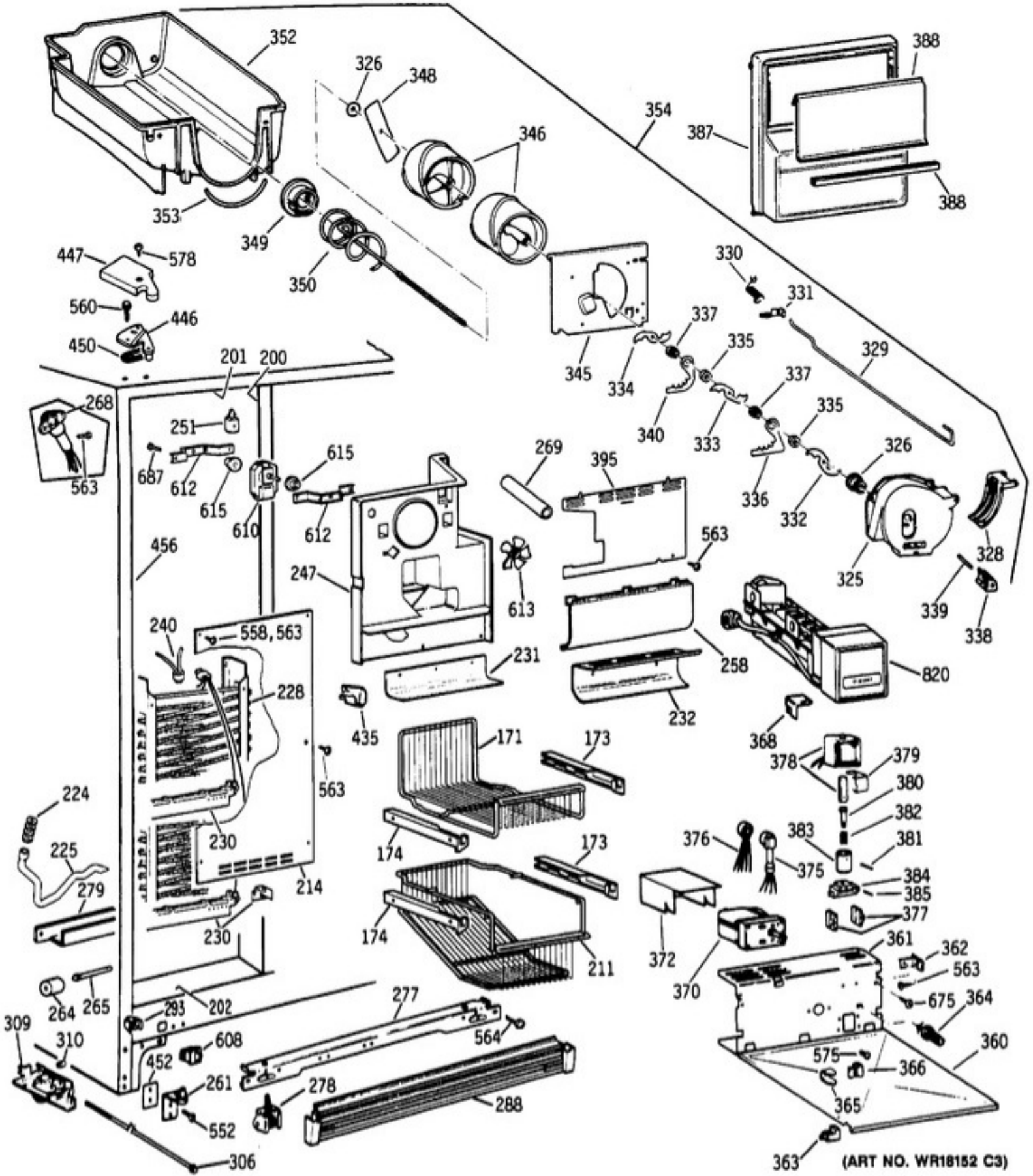


# FREEZER SECTION



(ART NO. WR18152 C3)