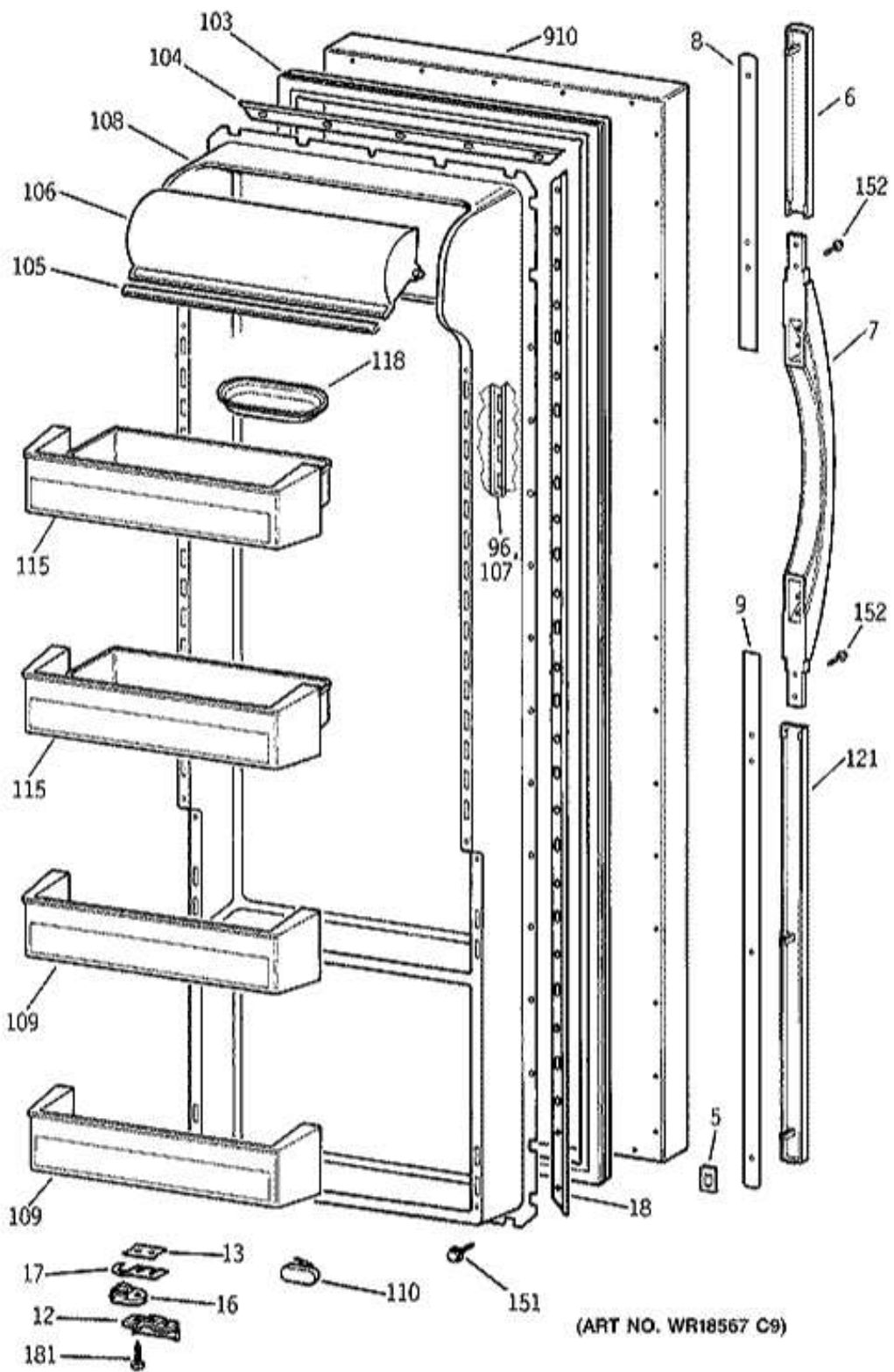
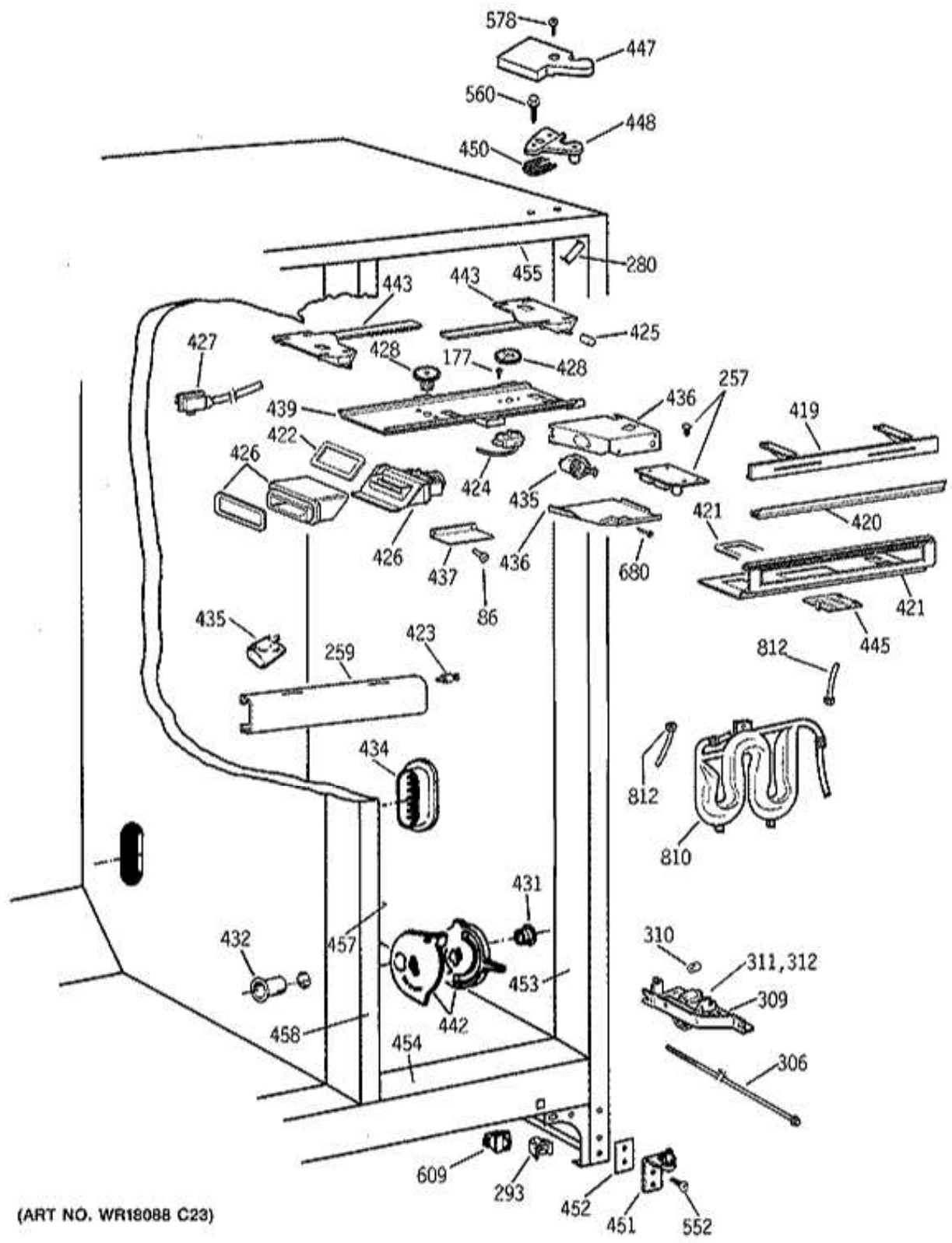


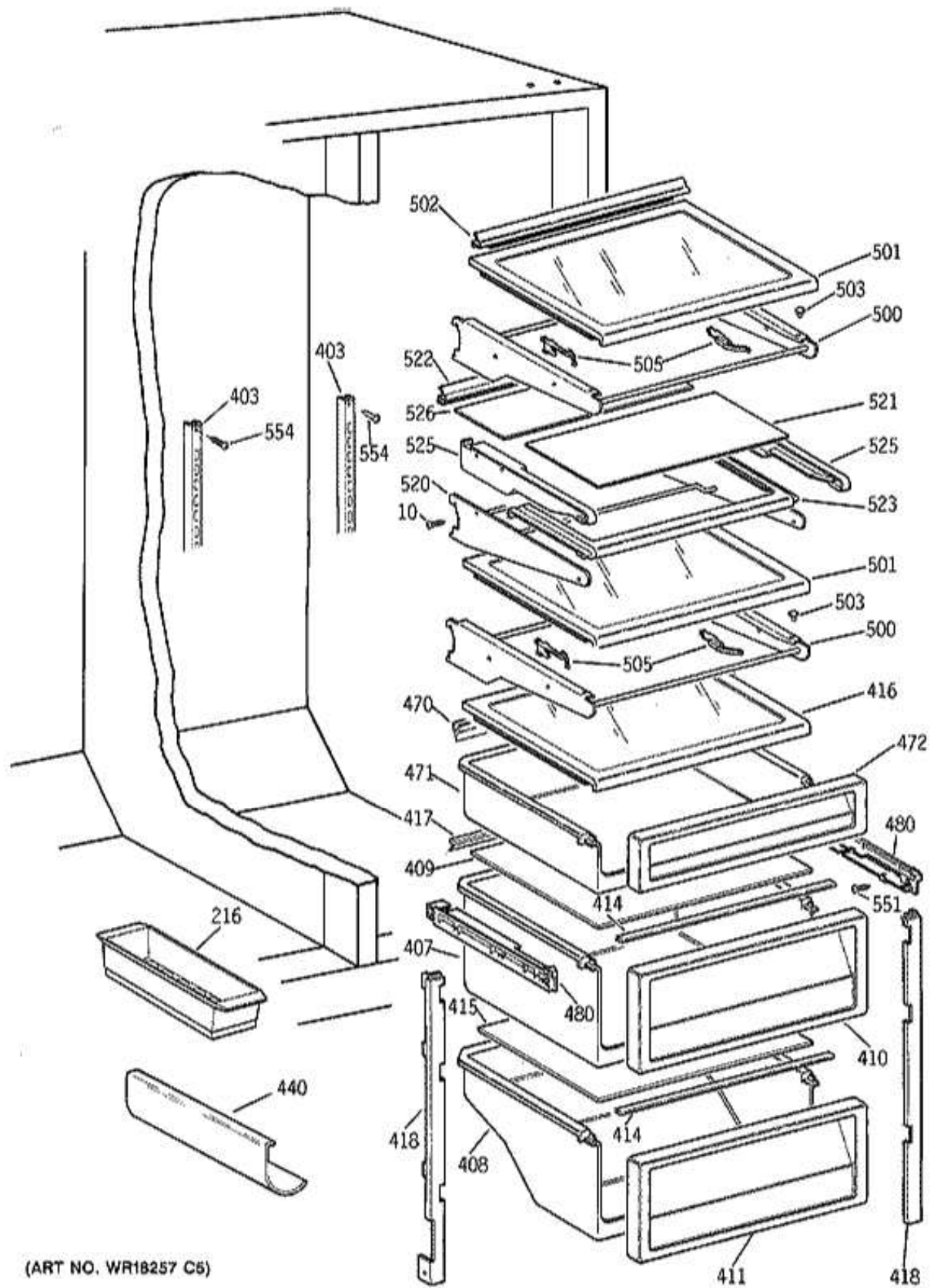
(ART NO. WR18566 C6)



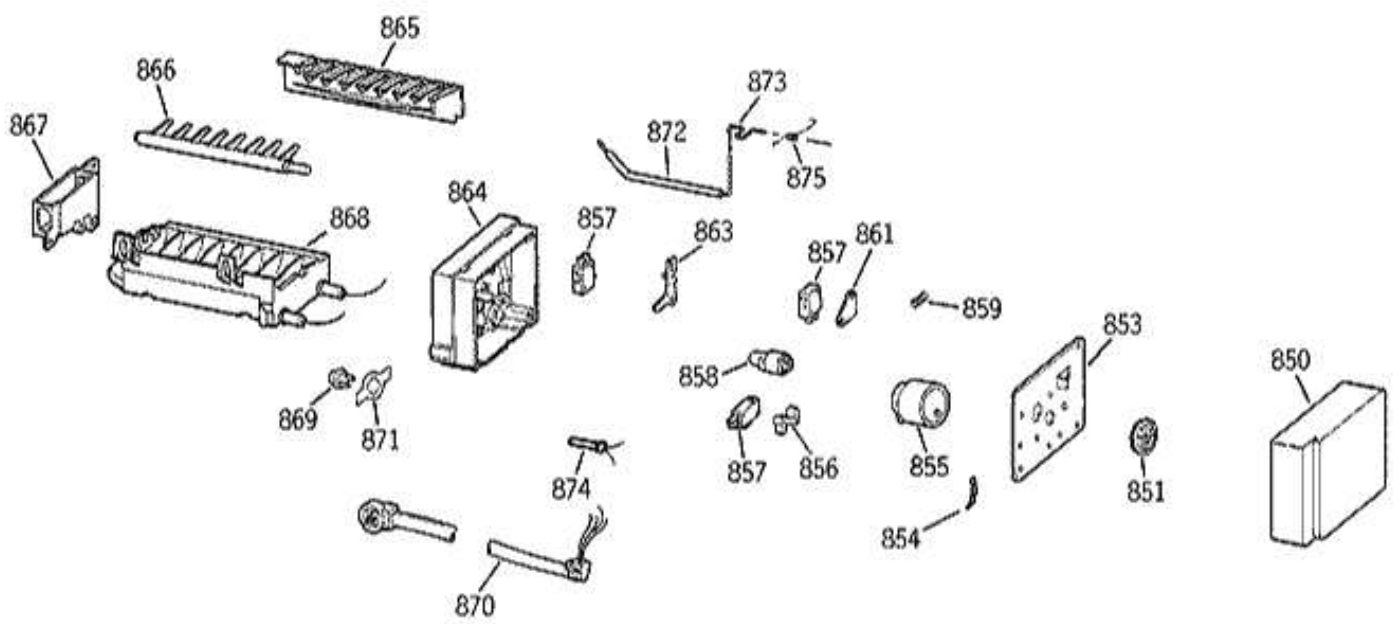




(ART NO. WR18088 C23)



(ART NO. WR18257 C5)



(ART NO. WR18599 C10)