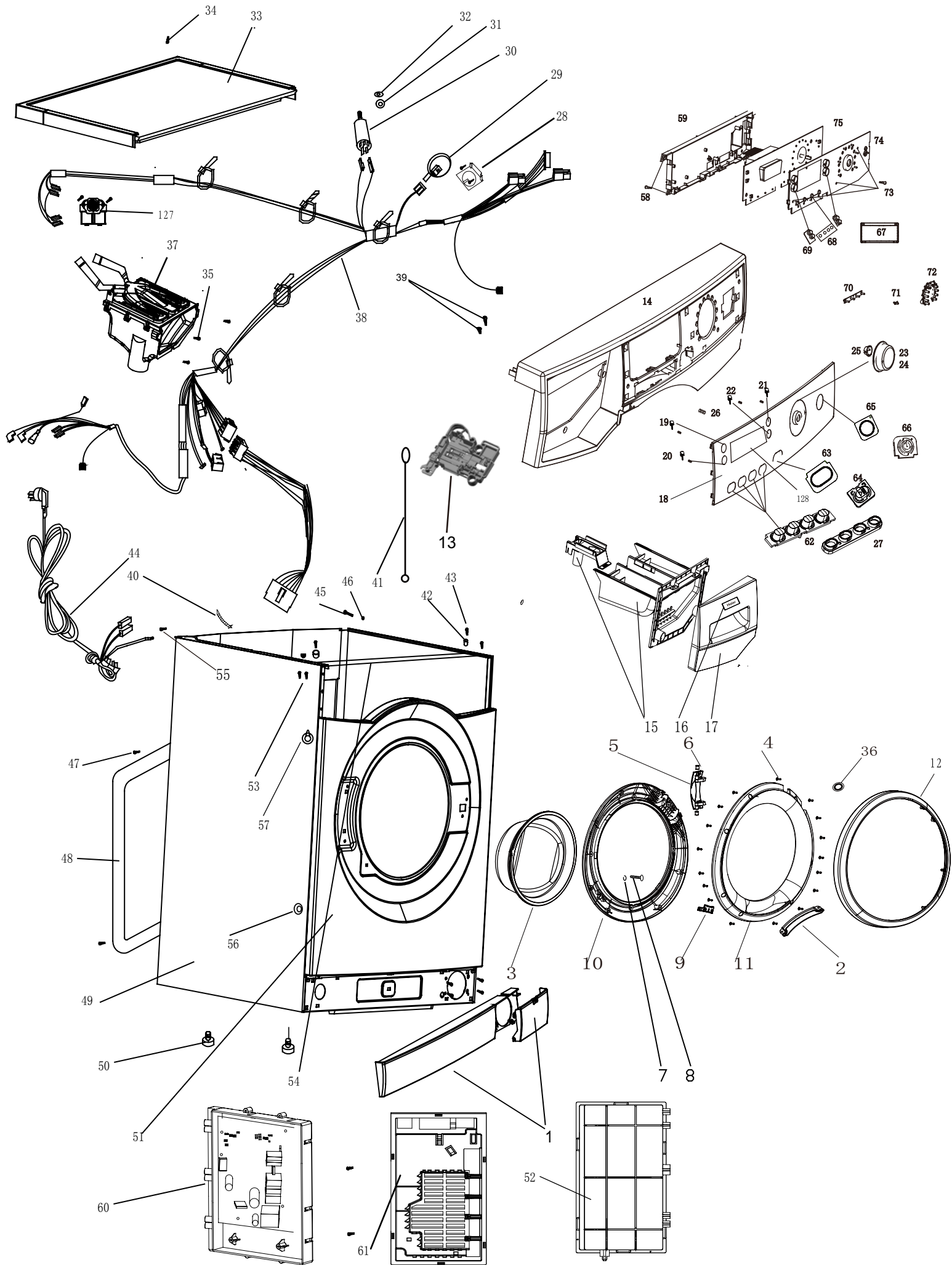


Part A



Part B

