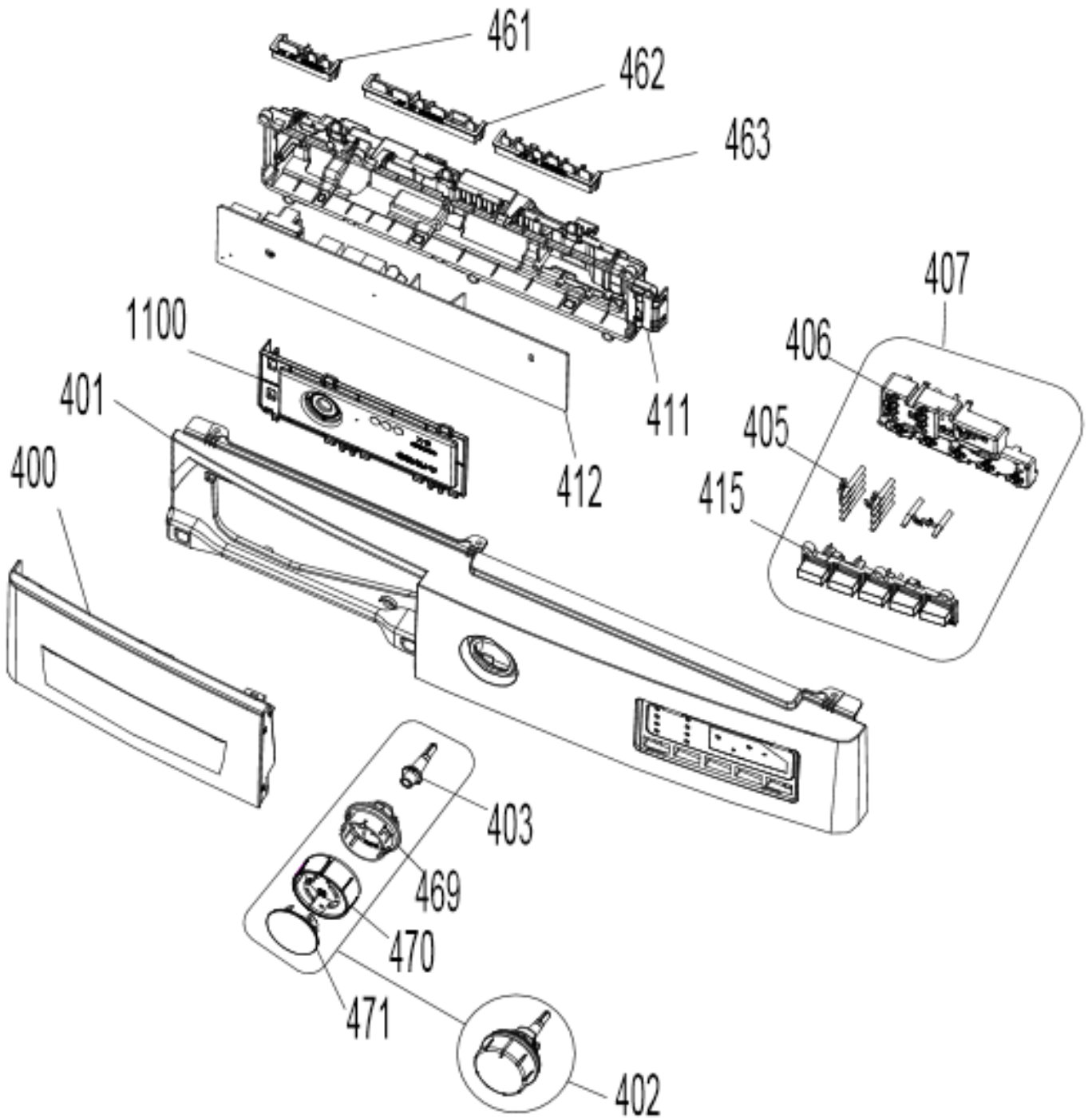
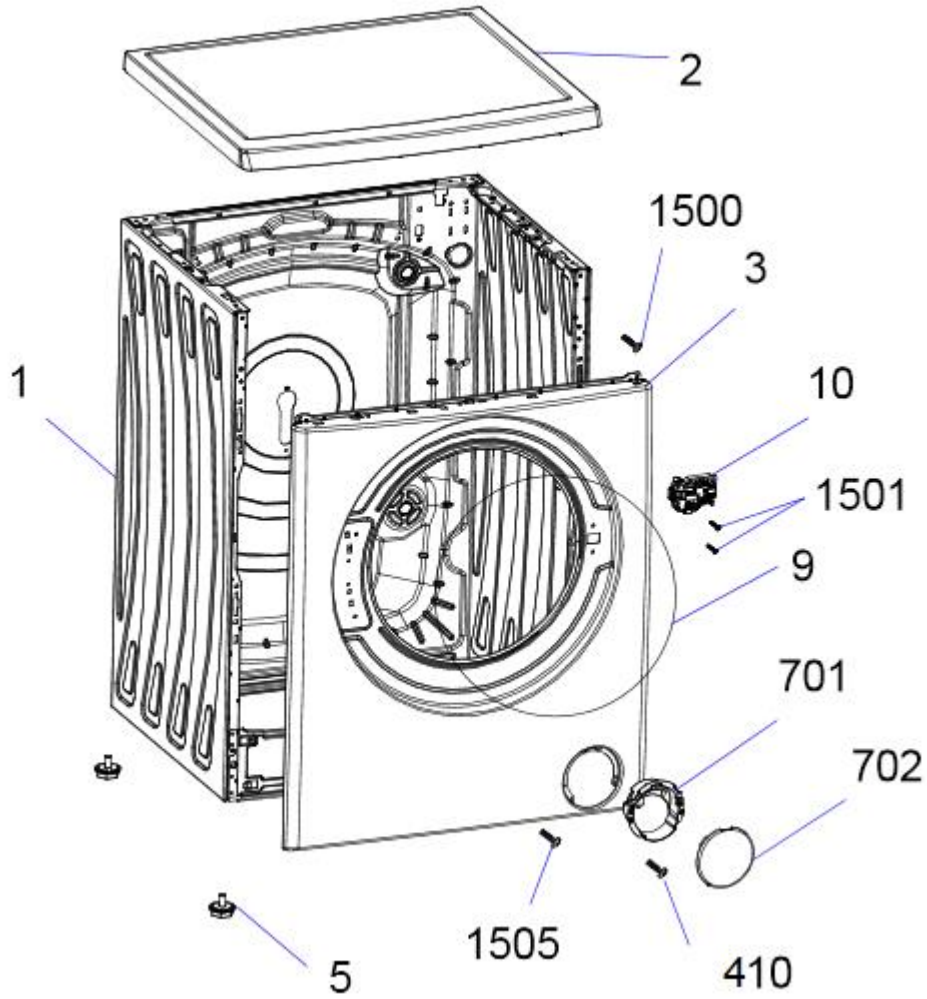


**CONTROL PANEL PARTS**



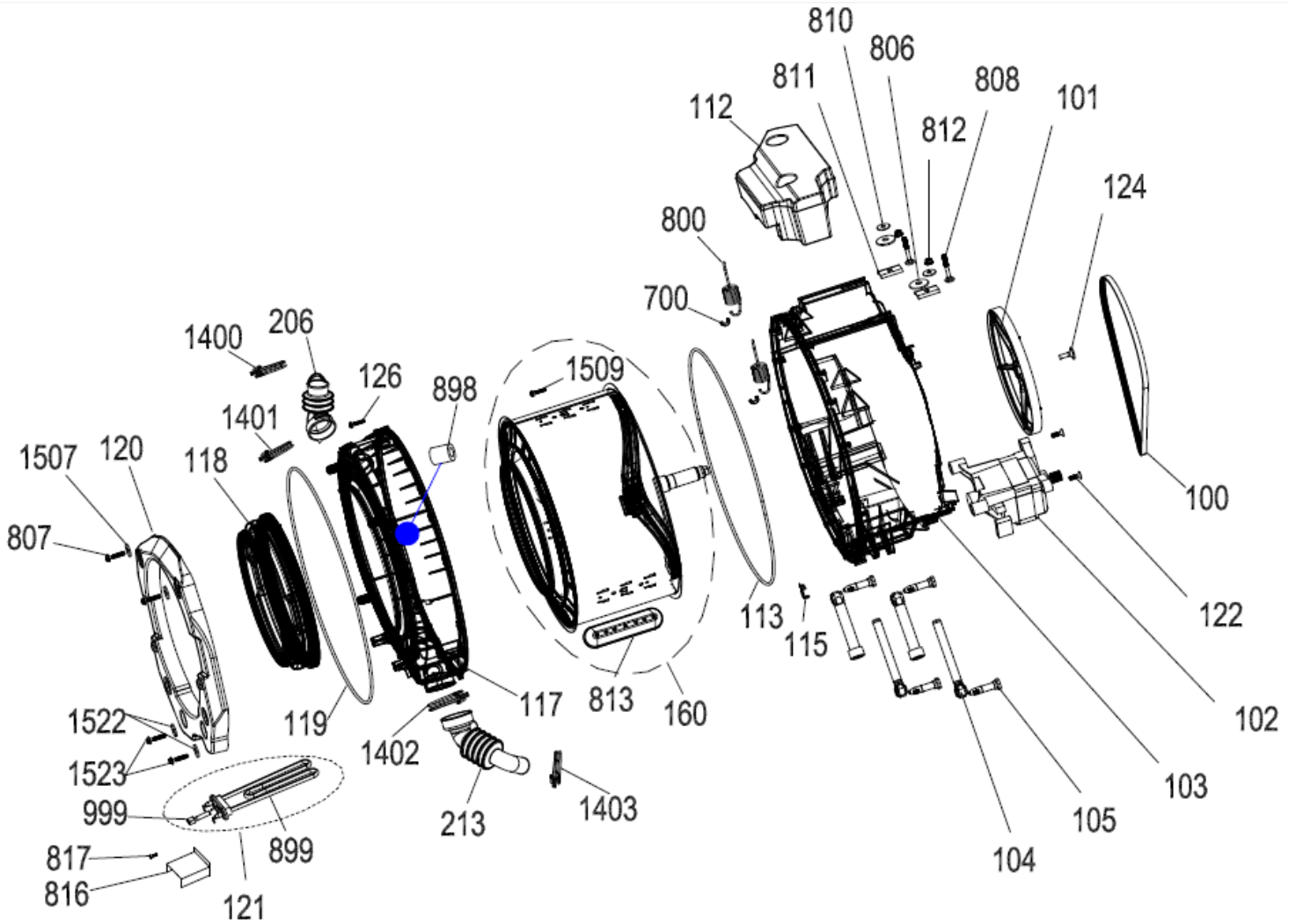
| NO  | PART NAME  | QUANTITY |
|-----|--|----------|
| 400 | DETERGENT DRAWER COVER                           | 1        |
| 401 | CONTROL PANEL                                    | 1        |
| 402 | PR. ADJUSTMENT KNOB GR.                          | 1        |
| 403 | PROGRAMME ADJUSTMENT SHAFT                       | 1        |
| 405 | LIGHT GUIDE DUO                                  | 1        |
| 406 | BUTTON&LIGHTGUIDE BOX                            | 1        |
| 407 | F1 BUTTON-LIGHT GUIDE GROUP                      | 1        |
| 411 | PCB BOX  | 1        |
| 412 | ELECTRONIC CARD-W.FOIL                           | 1        |
| 415 | TRIPLE SELECTION BUTTON                          | 1        |
| 461 | SOCKET HOLDER-F1                                 | 1        |
| 462 | SOCKET HOLDER-F2                                 | 1        |
| 463 | SOCKET HOLDER-F3                                 | 1        |
| 469 | PROGRAM ADJ. INSERT                              | 1        |
| 470 | PROGRAM ADJ. KNOB                                | 1        |
| 471 | PROGRAM ADJ. KNOB COVER                          | 1        |
| 500 | CONTROL PANEL GROUP ( indicated for the website) | 1        |

## FRONT PANEL PARTS



| NO   | PART NAME                                | QUANTITY |
|------|--|----------|
| 1    | BODY GROUP PAINTED                       | 1        |
| 2    | UPPER TRAY GROUP                         | 1        |
| 3    | FRONT PANEL GROUP                        | 1        |
| 5    | ADJUSTABLE FEET                          | 4        |
| 9    | BODY-GASKET CLAMP                        | 1        |
| 10   | DOOR LOCK                                | 1        |
| 410  | SCREW 4X12 TORX PAN HE.W.COL.UND.HE.SER. | 1        |
| 701  | PUMP COVER HOUSING                       | 1        |
| 702  | PUMP COVER                               | 1        |
| 1500 | ST 4,8X9,5 PAN HE.WITH COL.TORX UN.SER.E | 4        |
| 1501 | ISO 7049 ST 4,2X16 TORX                  | 2        |
| 1505 | ST 4,2X9,5 TRTSB                         | 4        |

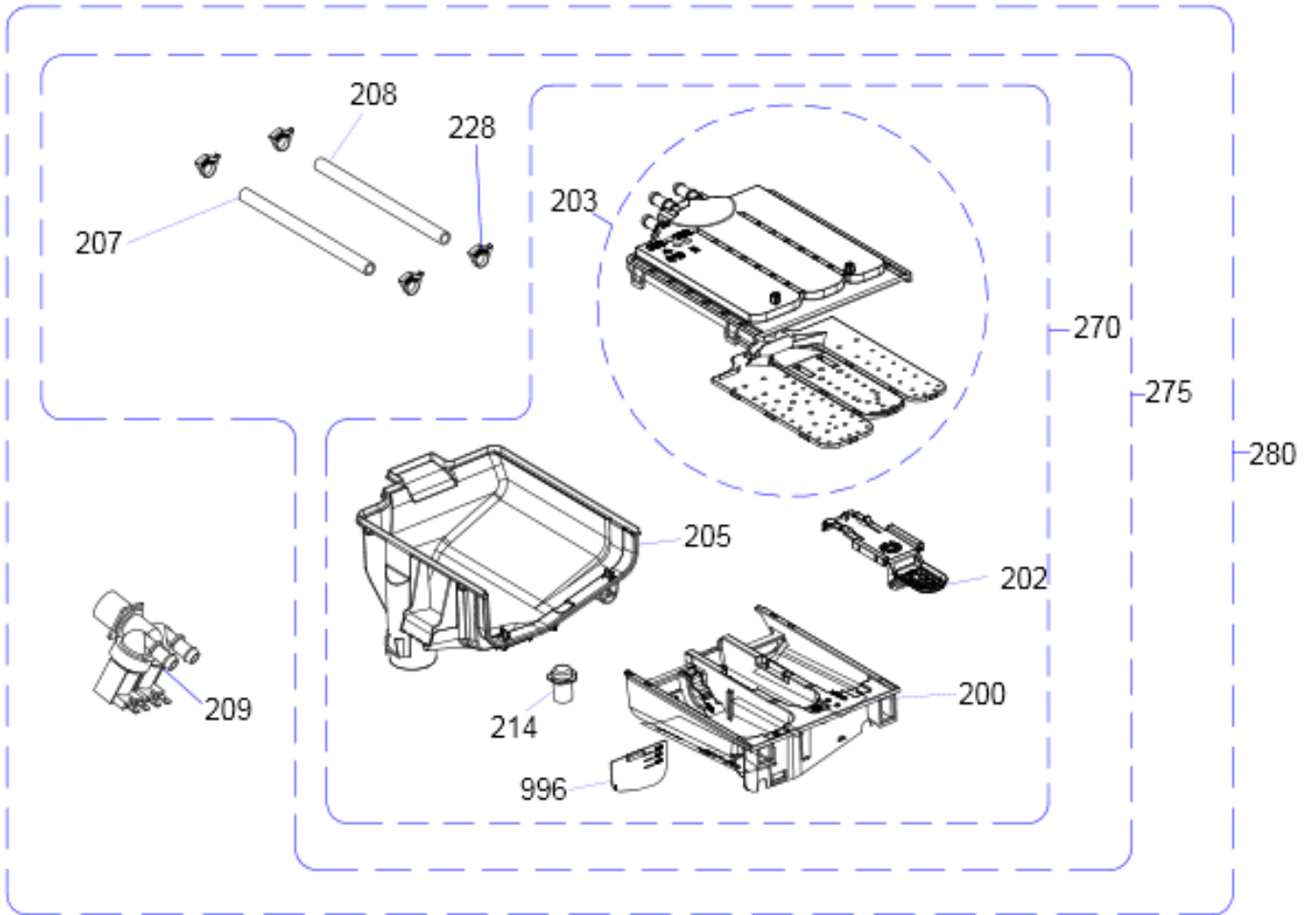
**WASHING GROUP PARTS**



| NO    | PART NAME                              | QUANTITY |
|-------|--|----------|
| 100   | BELT                                   | 1        |
| 101   | DRIVEN PULLEY                          | 1        |
| 102   | MOTOR                                  | 1        |
| 103   | REAR TUB GROUP                         | 1        |
| 104   | SHOCK ABSORBER                         | 2        |
| 105   | SHOCK ABSORBER PIM                     | 2        |
| 112   | UPPER COUNTERWEIGHT                    | 1        |
| 113   | TUB SEAL                               | 1        |
| 115   | RESISTANCE FIXING WIRE                 | 1        |
| 117   | FRONT TUB                              | 1        |
| 118   | TUB BELLOWS SEAL                       | 1        |
| 119   | TUB BELLOW CLIP                        | 1        |
| 120   | FRONT COUNTERWEIGHT                    | 1        |
| 121   | RESISTANCE GROUP                       | 1        |
| 122   | COUNTERSUNK HEAD BOLT 8X25 TORK        | 2        |
| 124   | COUNTERSUNK HEAD BOLD M 8X29           | 1        |
| 126   | HEXAGON HEAD BOLT 6 X 30               | 12       |
| 160   | DRUM GROUP                             | 1        |
| 206   | TUB ENTERANCE WITH BELLOW HOSE         | 1        |
| 213   | TUB EXIT WITH BELLOW HOSE              | 1        |
| 700   | TUB HANGER SPRING PART                 | 2        |
| 800   | HANGER SPRING                          | 2        |
| 809   | DUZ RONDELA 8.4X28X3                   | 2        |
| 807   | HEXAGON HEAD BOLT                      | 4        |
| 808   | WASHER 8,4X28X3                        | 4        |
| 811   | UPPER CONCRETE SUPPORT SHEET IRON PART | 2        |
| 812   | NUT M8                                 | 2        |
| 813   | PLASTIC LIFTER                         | 1        |
| *816  | RESISTANCE PROTECTION FOIL             | 1        |
| *817  | SCREW FIXING RES. PROT. FOIL-TUB ASSY. | 1        |
| *810  | UPPER COUNTERWEIGHT WASHER 9X30X3      | 3        |
| *898  | PSW HOSE MOUNTING RUBBER               | 2        |
| 899   | RESISTANCE WITHOUT NTC                 | 1        |
| 999   | NTC                                    | 1        |
| *1400 | SCREWED HOSE CLAMP                     | 1        |
| 1401  | SPRING TYPE BANT CLAMP                 | 1        |
| 1402  | HOSE CLAMP SCREW TYPE Ø72              | 1        |
| 1403  | HOSE CLAMP Ø38,8                       | 1        |
| 1507  | DÜZ RONDELA 10.5X30X2.5                | 4        |
| *1509 | SCREW 4X14 PAN HEAD TORX INOX          | 3        |
| *1522 | PLAIN WASHER 23X37X2                   | 2        |
| *1523 | COUNTERSUNK HEAD BOLT 8X34 TORX        | 2        |

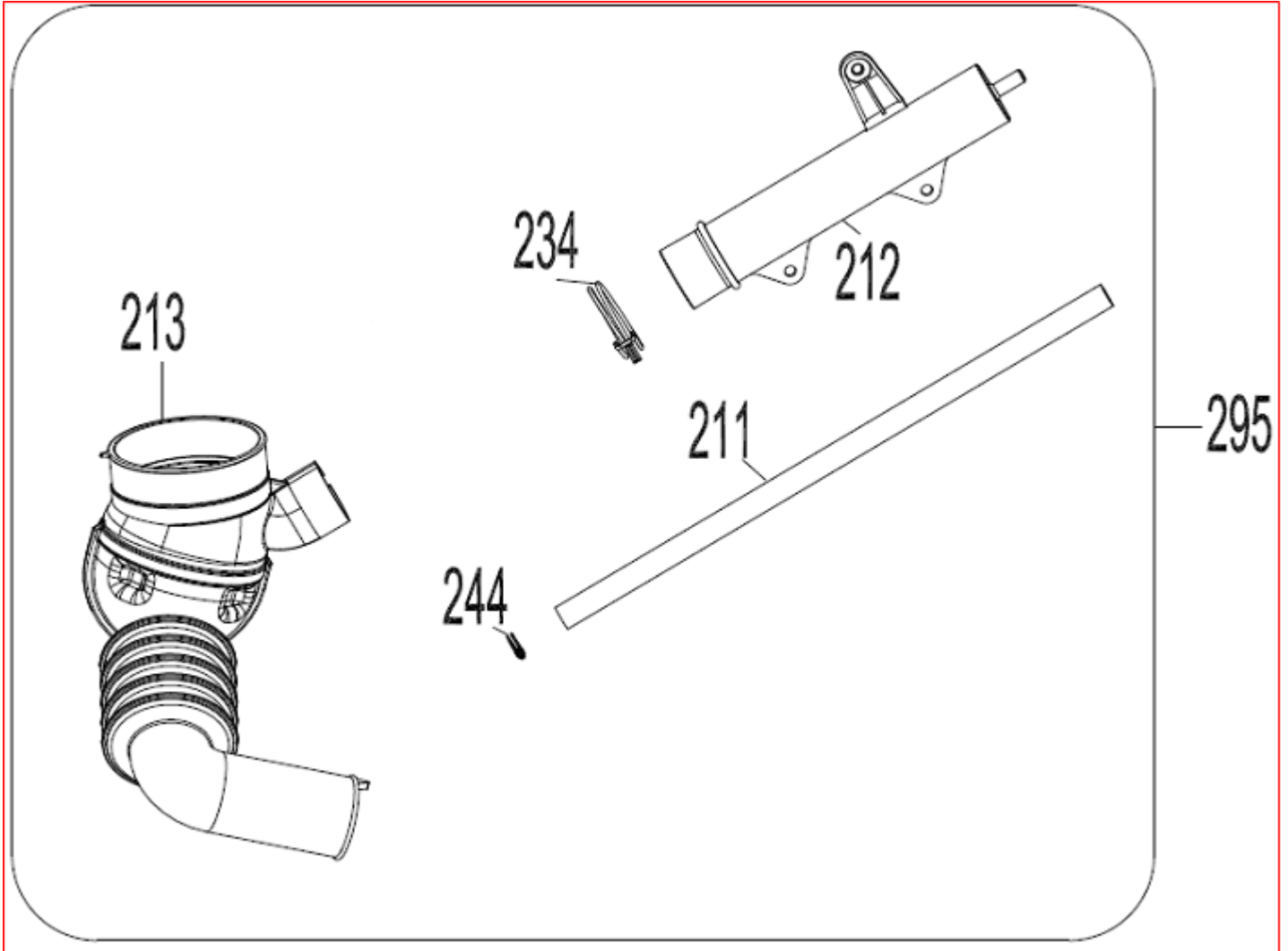
**\*\*1522 – 1523 -1509 - 1400 - 810 – 816 - 817– 898** “This spare part is optional and depends on agreed specifications. Therefore you may not find this position number in product’s spare part list.”

## DETERGENT DRAWER GROUP



| NO  | PART NAME                      | QUANTITY |
|-----|--------------------------------|----------|
| 200 | DETERGENT DRAWER               | 1        |
| 202 | SIPHON COVER                   | 1        |
| 203 | WATER DISTRIBUTION PLATE GROUP | 1        |
| 205 | DETERGENT DRAWER HOUSING       | 1        |
| 207 | VALVE-DETERGENT BOX HOSE/220MM | 1        |
| 208 | VALVE-DETERGENT BOX HOSE/200MM | 1        |
| 209 | VALVE(TWO EXIT)                | 1        |
| 214 | DETERGENT DRAWER LOCKING PART  | 1        |
| 228 | PLASTIC HOSE CLAMP             | 6        |
| 996 | LIQUID DETERGENT LEVEL PLATE   | 1        |
| 270 | DETERGENT BOX GROUP            | 1        |
| 275 | DETERGENT BOX GROUP/HOSE       | 1        |
| 280 | DETERGENT BOX GROUP/FULL       | 1        |

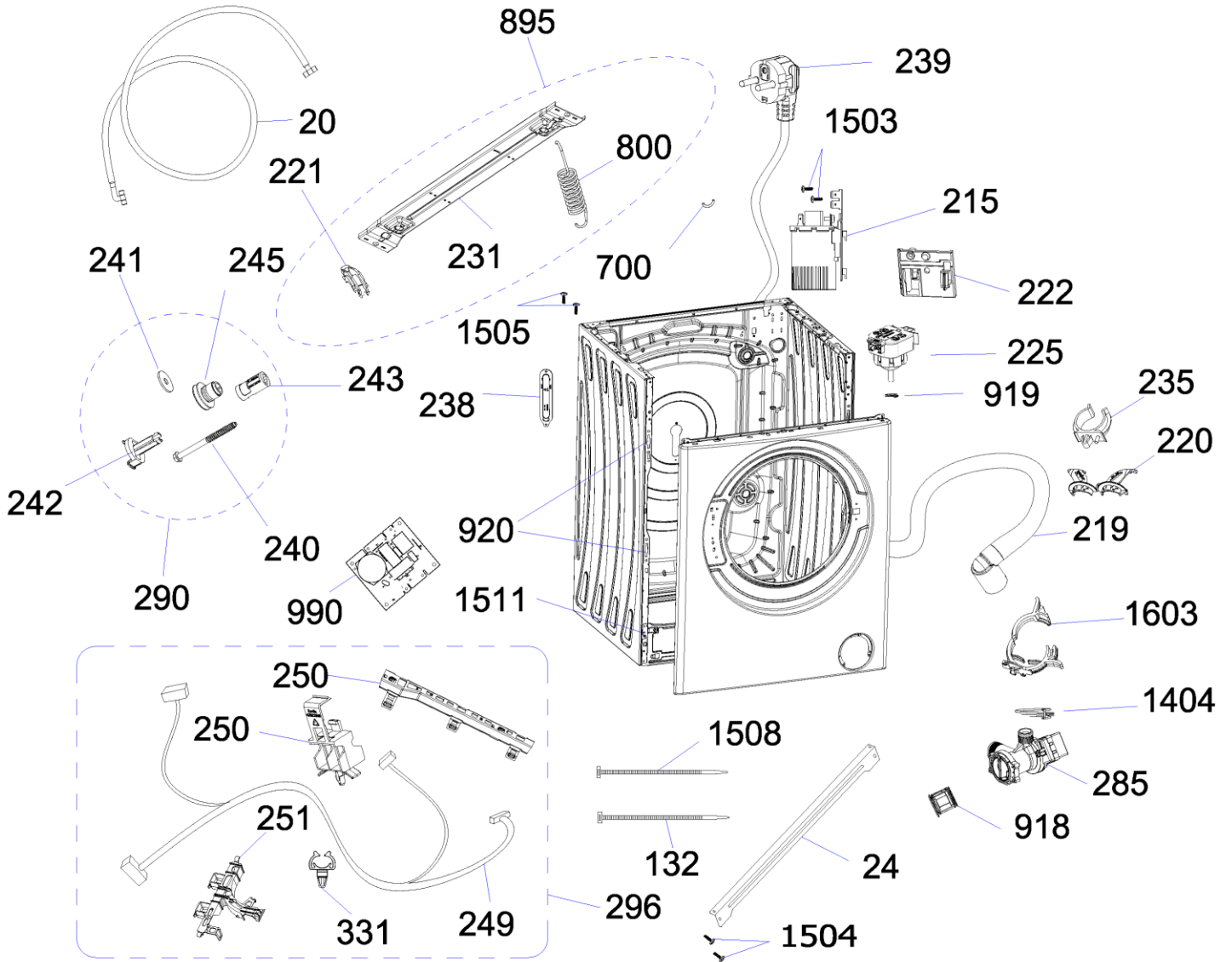
**PRESSURE SWITCH HOSE GROUP**



| NO  | PART NAME                       | QUANTITY |
|-----|---------------------------------|----------|
| 213 | TUB EXIT WITH BELLOW HOSE       | 1        |
| 212 | PRESSURE SWITCH WATER RESERVOIR | 1        |
| 211 | PRESSURE SWITCH HOSE            | 1        |
| 234 | HOSE CLAMP Ø32,7                | 1        |
| 244 | HOSE CLAMP Ø9,6                 | 1        |
| 295 | PRESSURE SWITCH HOSE GROUP      | 1        |

213-212-211-234-244----- PRESSURE SWITCH HOSE GROUP

## BODY GROUP PARTS



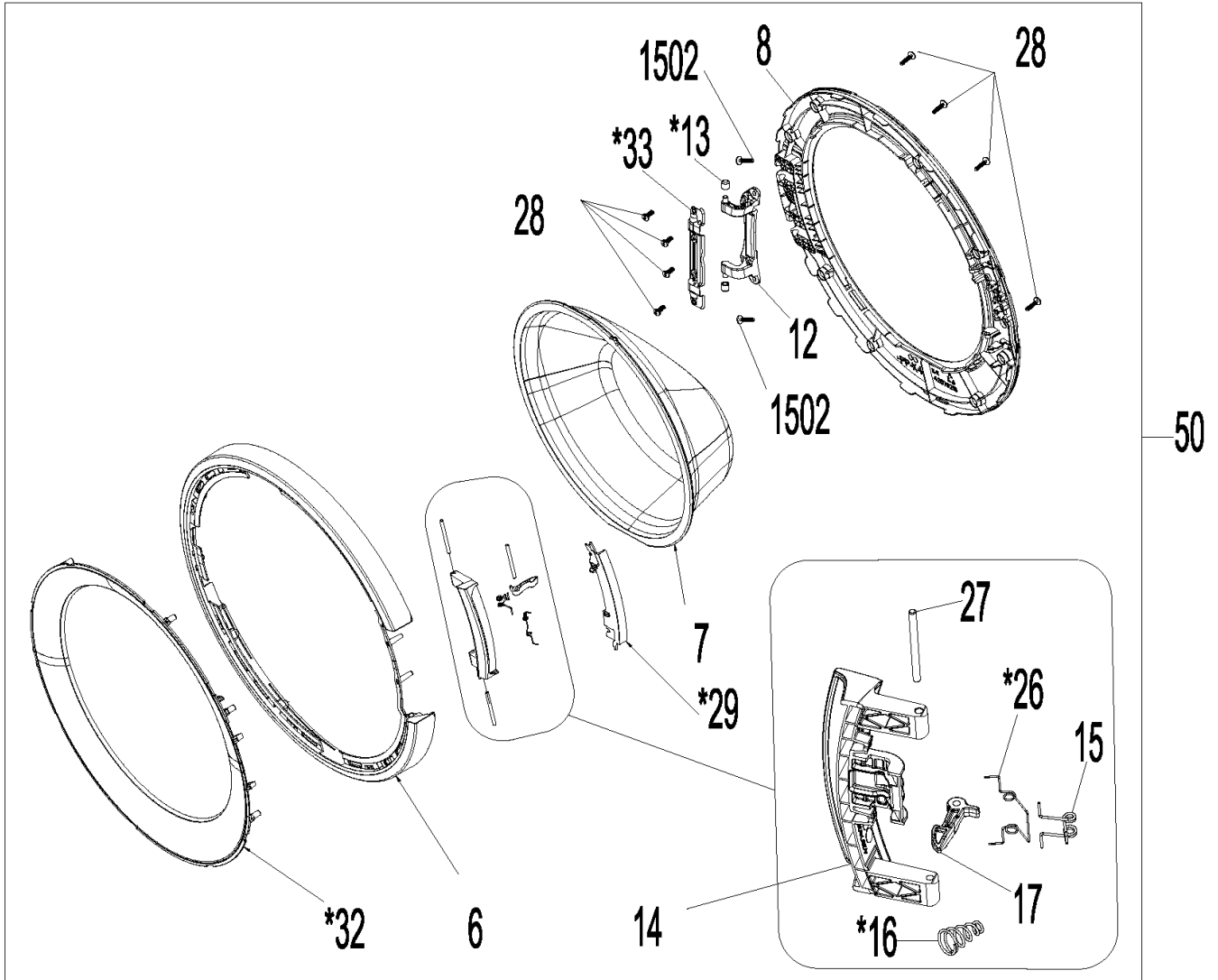


| REF. NO | PART NAME   | QTY |
|---------|---|-----|
| 20      | WATER ENTRY HOSE GROUP  | 1   |
| 24      | UPPER SUPPORT BRACKET   | 1   |
| 285     | PUMP GROUP  | 1   |
| 220     | DRAIN HOSE ROUTER PLASTIC   | 1   |
| 219     | DRAIN HOSE  | 1   |
| 225     | ELECTRONIC PRESSURE SENSOR  | 1   |
| 215     | EMI FILTER  | 1   |
| 296     | CABLE GR  | 1   |
| 249     | CABLE HARNESS   | 1   |
| *250    | CABLE HARNESS HOLDER PLS  | 1   |
| *251    | CABLE HOLDER AND ROUTER PLASTIC-L   | 1   |
| 331     | LOCKING WIRE SADDLE (BLUE)  | 1   |
| 895     | SPRONG HANGER BRACKET GROUP   | 1   |
| 800     | TUB SPRING  | 2   |
| 231     | SPRING HANGER BRACKET   | 1   |
| 221     | HANGER SPRING BRACKET PLS.  | 2   |
| 700     | TUB HANGER SPRING PART (PLASTIC HOUSING PART BETWEEN TUB AND SPRING HOOK) | 2   |
| 235     | DRAIN HOSE HOLDING PLS  | 4   |
| 239     | POWER CORD GROUP  | 1   |
| 222     | PRESSURE SWITCH MOUNTING CLIP   | 1   |
| 238     | SPEED CONTROL HOLE STOPPER  | 1   |
| 290     | TRANSPORT SCREW GROUP-II  | 4   |
| 242     | TRANSPORT SCREW PLASTIC-A-II  | 4   |
| 243     | TRANSPORT SCREW PLASTIC-B-II  | 4   |
| 240     | TRANSPORT SCREW   | 4   |
| 245     | TRANSPORT SCREW EPDM  | 4   |
| 241     | PLAIN WASHER 8,30X29X2  | 4   |
| 132     | CABLE TIE   | 7   |
| 918     | PUMP FILTER   | 1   |
| 919     | HOSE CLAMP Ø8,6   | 1   |
| 920     | FRONT PANEL DROP FIXING PLASTIC-II  | 4   |
| **990   | DC CARD GROUP   | 1   |
| 1404    | HOSE CLAMP  | 1   |
| 1503    | ST 4,2X9,5 PAN HEAD W.COL.T.UNDER.SER.EA                                  | 2   |
| 1504    | ISO 7049 ST 4,2X13 TORX   | 4   |
| 1505    | ST 4,2X9,5 TRTSB  | 4   |
| 1508    | CABLE TIE   | 1   |
| 1511    | FRONT PANEL DROP FIXING PLASTIC   | 2   |
| 1603    | INTERNAL HOSE HOLDER PLASTIC  | 1   |

**\*250** – “There are two different cable harness road plastic. The type of cable harness road plastic changes due to order. The both parts are given in exploded view.”

**\*\*990 - 251** “This spare part is optional and depends on agreed specifications. Therefore you may not find this position number in product’s spare part list.”

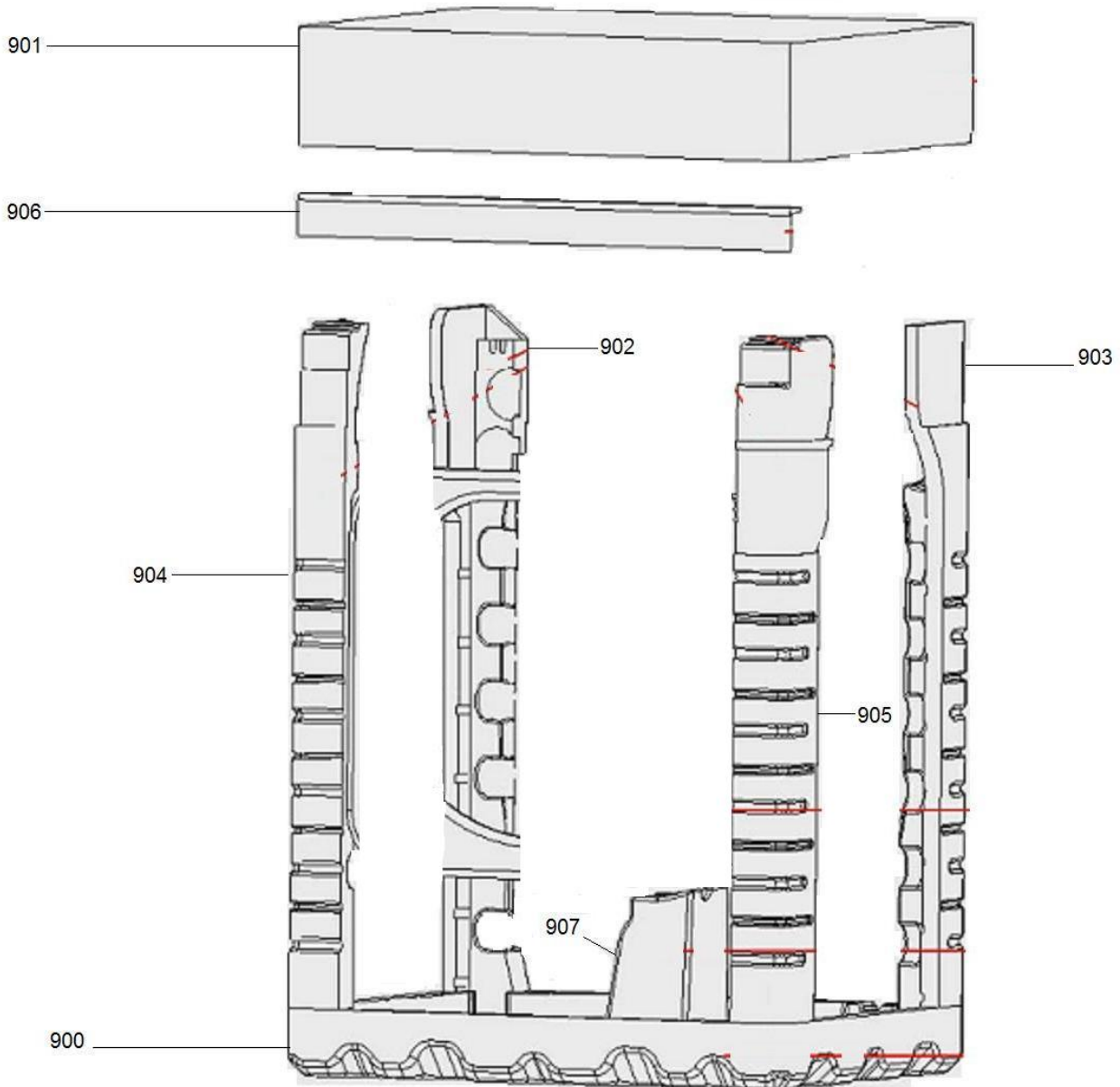
## DOOR GROUP



| NO   | PART NAME  | QUANTITY |
|------|--|----------|
| 6    | PORTHOLE OUTER PLASTIC                                       | 1        |
| 7    | DOOR GLASS   | 1        |
| 8    | PORTHOLE INNEER PLASTIC                                      | 1        |
| 12   | SHEET METAL HINGE GROUP                                      | 1        |
| *13  | HINGE BUSHING  | 2        |
| 14   | DOOR HANDLE  | 1        |
| 15   | HOOK SPRING  | 1        |
| *16  | D. HANDLE COMP(HANDLE SPRING)                                | 1        |
| 17   | HOOK   | 1        |
| *26  | HANDLE SPRING  | 1        |
| 27   | DOOR HANDLE PIM  | 2        |
| 28   | SCREW 3.5X16PAN.HE.WITH COL.CR.RE.UN.HE                      | 8        |
| *29  | OUTER DOOR PLS INSERT PART                                   | 1        |
| *32  | PORTHOLE INNER FRAME   | 1        |
| *33  | DOOR HINGE SUPPORT SHEET                                     | 1        |
| 1502 | SCREW M5X8 TSB (this part is not include in porthole group ) | 2        |
| 50   | PORTHOLE GROUP (1502 excluded)                               | 1        |

\*13 – 16 – 26 – 29 – 32 - 33 “This spare part is optional and depends on agreed specifications. Therefore you may not find this position number in product’s spare part list.”

**PACKAGING GROUP**



| NO  | PART NAME                               | QUANTITY |
|-----|---|----------|
| 900 | BOTTOM STYROFOAM                        | 2        |
| 901 | TOP CARTON                              | 1        |
| 902 | REAR STYROFOAM(LEFT)                    | 1        |
| 903 | REAR STYROFOAM(RIGHT)                   | 1        |
| 904 | FRONT STYROFOAM LEFT                    | 1        |
| 905 | FRONT STYROFOAM RIGHT                   | 1        |
| 906 | CORNER CARDBOARD                        | 1        |
| 907 | TUB SUPPORT STYROFOAM                   | 1        |
| 911 | PACKAGE GROUP (900+901+902+903+904+905) | 1        |

## ACCESSORIES



995

996

997

998

| NO  | PART NAME                    | QUANTITY |
|-----|------------------------------|----------|
| 995 | ENERGY LABEL                 | 1        |
| 996 | LIQUID DETERGENT LEVEL PLATE | 1        |
| 997 | DRAIN HOSE COAT RACK         | 1        |
| 998 | TRANSPORT SCREW STOPPER      | 4        |