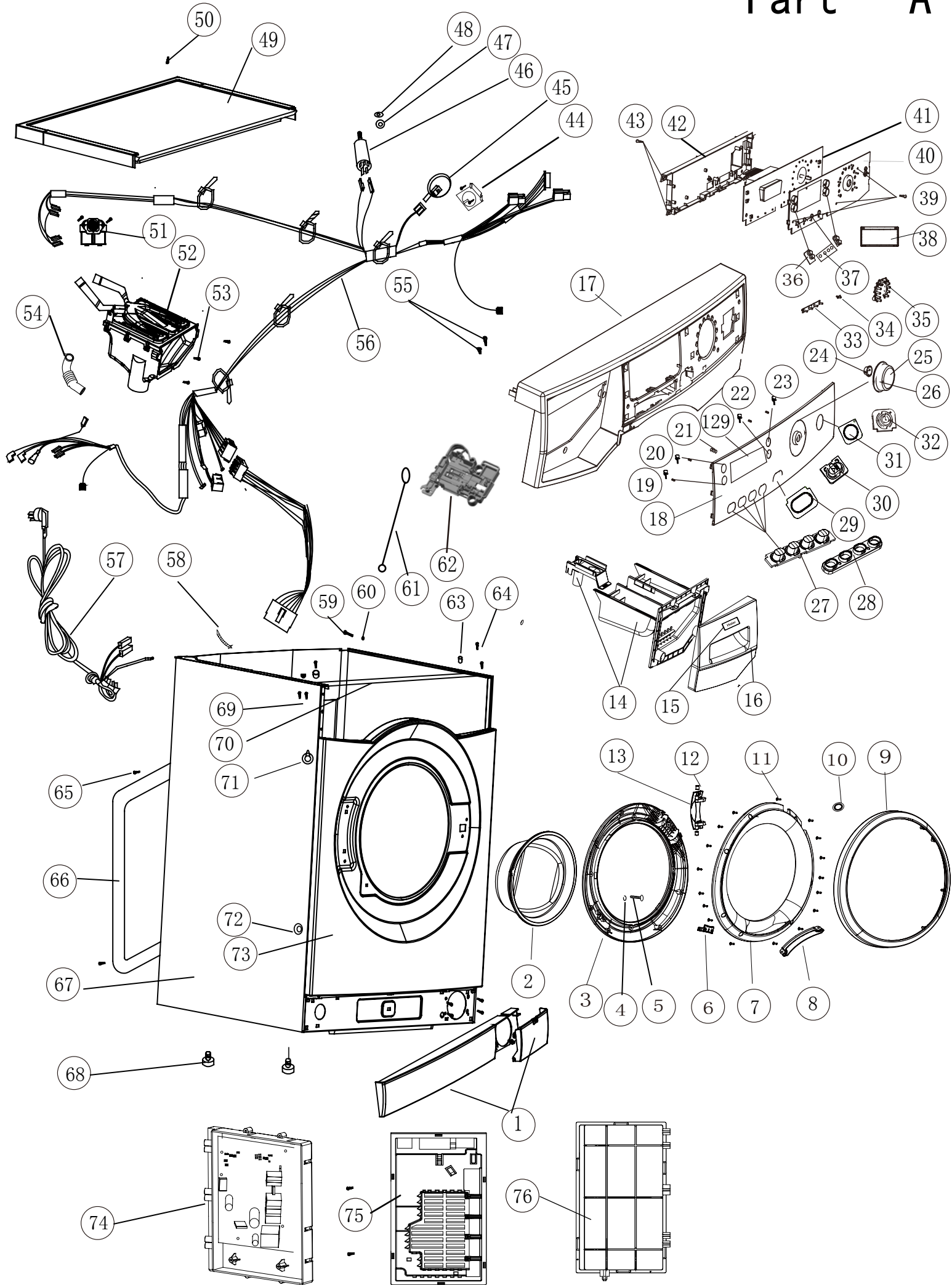


# Part A



# Part B

