

**IGNIS**

---

# Service Manual

## Freestanding Cooling Cabinet

### ARL 113/G/1

---

| <b>Model<br/>Version</b>      |                 | <b>Page</b> |
|-------------------------------|-----------------|-------------|
| ARL 113/G/1<br>8539 113 01020 |                 |             |
|                               | Technical data  | 2           |
|                               | Spare part list | 3           |
|                               | Exploded view   | 4           |
|                               | Circuit diagram | 5           |

## Technical data

### Dimensions

|        |       |    |
|--------|-------|----|
| Height | 140,0 | cm |
| Width  | 59,2  | cm |
| Depth  | 60,3  | cm |

### Capacity

#### Total

|      |     |   |
|------|-----|---|
| brut | 292 | l |
| net  | 289 | l |

### Electrical connection

|           |           |    |
|-----------|-----------|----|
| Voltage   | 220 - 240 | V  |
| Frequency | 50        | Hz |

### Power consumption

|             |      |     |
|-------------|------|-----|
| in 24 hours | 0,77 | kWh |
|-------------|------|-----|

### Compressor (for service)

|                    |           |
|--------------------|-----------|
| Type               | BP 1084 Z |
| Capacity (CECOMAF) | 77 W      |

### Cooling agent

|          |         |
|----------|---------|
| Type     | R 134 a |
| Quantity | 75 g    |

### Thermostat

### Switching value

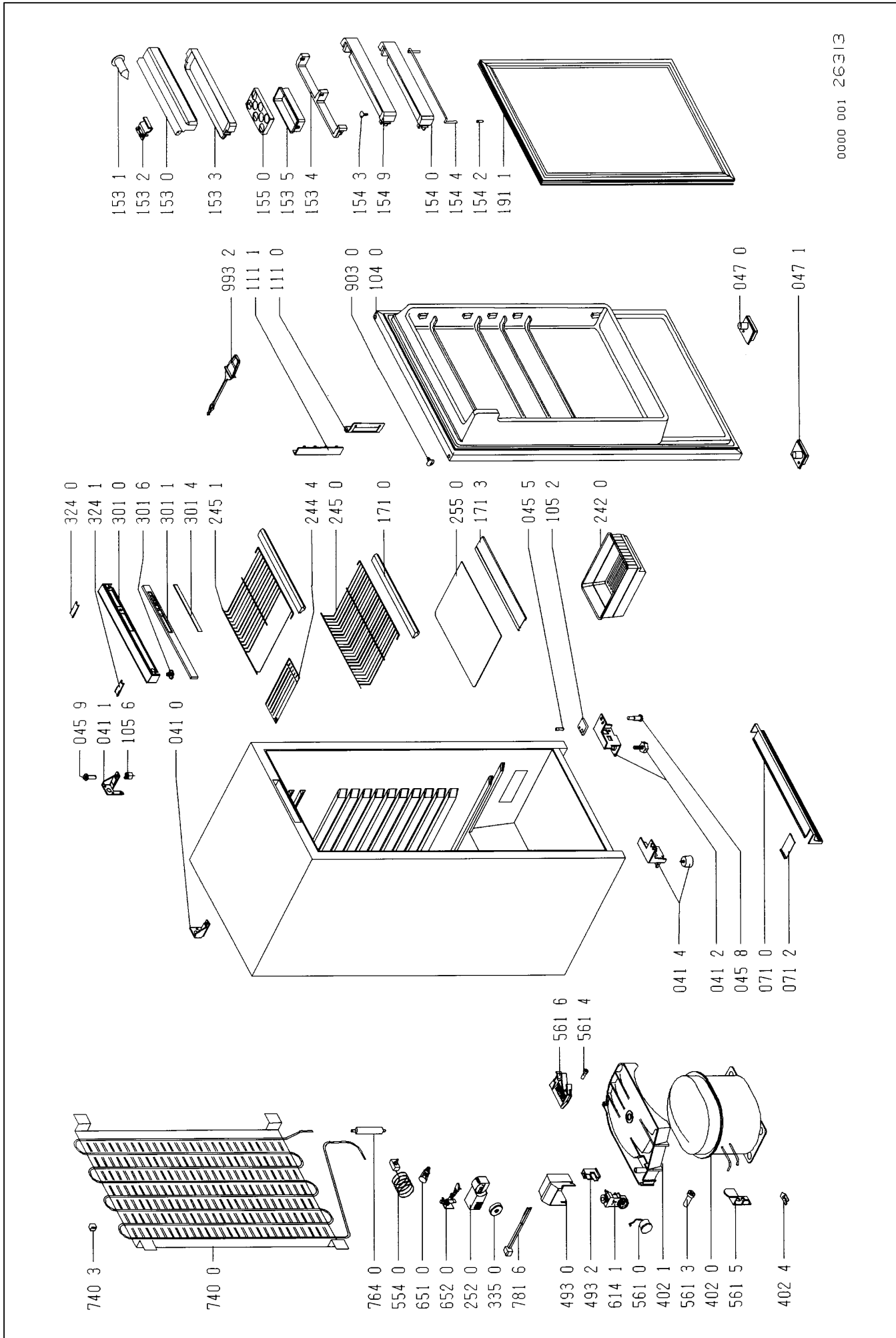
|                             |        |    |
|-----------------------------|--------|----|
| Switch on temperature min.  | + 4,5  | °C |
| Switch on temperature max.  | + 4,5  | °C |
| Switch off temperature min. | - 16,0 | °C |
| Switch off temperature max. | - 30,0 | °C |

## Spare part list

**Model** ARL 113/G/1  
**Service No.** 853911301020  
**Version** 853911301020

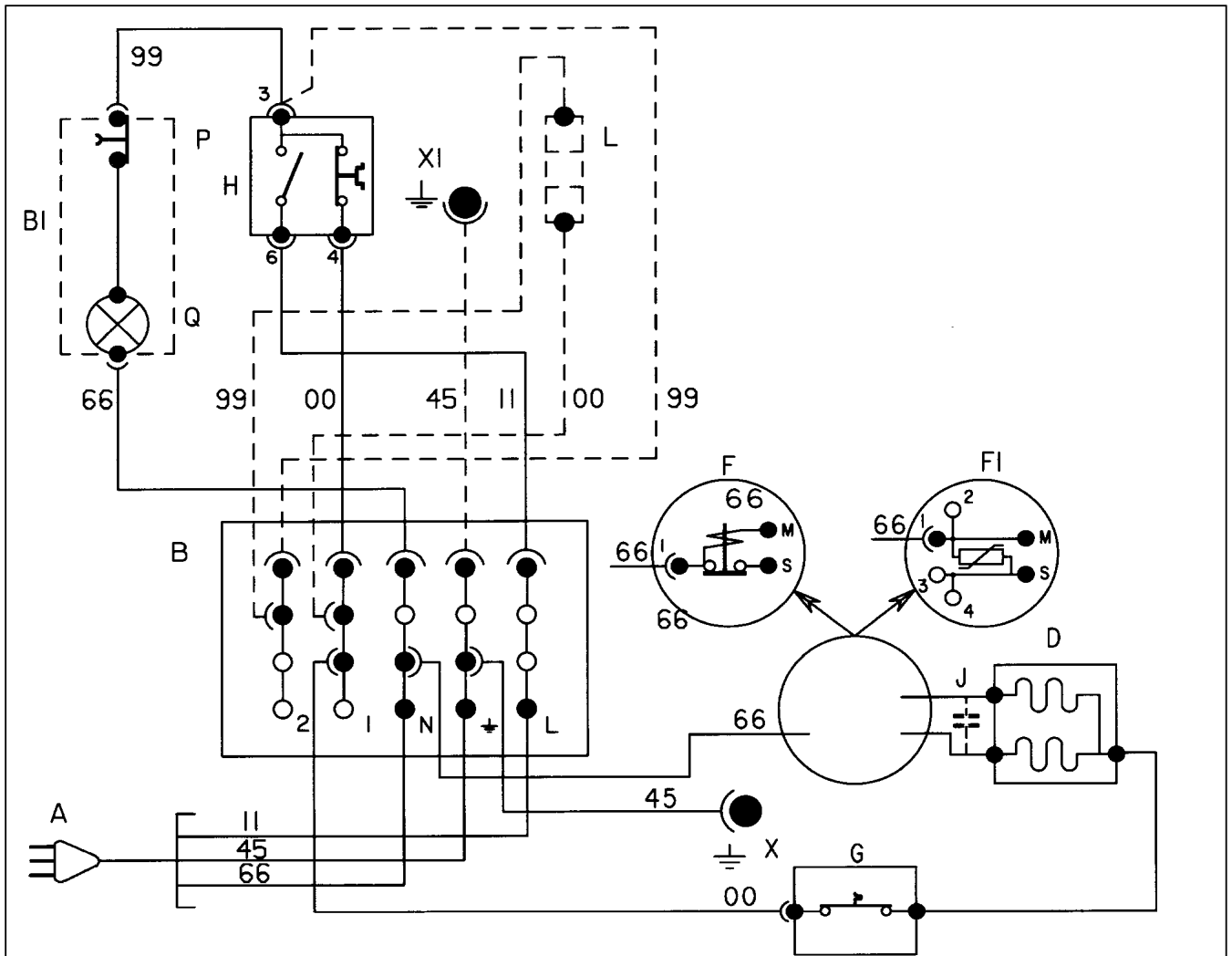
| Pos. No. | 12NC Code             | Description            | from | to |
|----------|-----------------------|------------------------|------|----|
| 041 0    | <b>4819 417 19122</b> | Hinge                  |      |    |
| 041 1    | <b>4819 417 19121</b> | Hinge                  |      |    |
| 041 2    | <b>4819 417 19358</b> | Hinge                  |      |    |
| 041 4    | <b>4819 417 19359</b> | Hinge                  |      |    |
| 045 5    | <b>4819 535 38056</b> | Shaft                  |      |    |
| 045 8    | <b>4819 535 38061</b> | Pin for hinge          |      |    |
| 045 9    | <b>4819 535 38093</b> | Extension piece        |      |    |
| 047 0    | <b>4819 532 68438</b> | Bushing                |      |    |
| 047 1    | <b>4819 532 68437</b> | Bushing                |      |    |
| 071 0    | <b>4819 442 68036</b> | Frame kickplate        |      |    |
| 071 2    | <b>4819 460 78021</b> | Small plate plinth     |      |    |
| 104 0    | <b>4819 442 29178</b> | Door                   |      |    |
| 105 2    | <b>4819 466 98465</b> | Spacer                 |      |    |
| 105 6    | <b>4819 532 68476</b> | Bushing                |      |    |
| 111 0    | <b>4819 498 78132</b> | Handle,door            |      |    |
| 111 1    | <b>4819 462 79466</b> | Cover                  |      |    |
| 153 0    | <b>4819 442 78228</b> | Door,flap              |      |    |
| 153 1    | <b>4819 535 18023</b> | Bolt f.flap            |      |    |
| 153 2    | <b>4819 401 18347</b> | Striker                |      |    |
| 153 3    | <b>4819 418 79462</b> | Rack,egg               |      |    |
| 153 4    | <b>4819 460 59886</b> | Holder,contain.        |      |    |
| 153 5    | <b>4819 418 49845</b> | Door,dairy             |      |    |
| 154 0    | <b>4819 418 79463</b> | Shelf                  |      |    |
| 154 2    | <b>4819 532 78061</b> | Bushing                |      |    |
| 154 3    | <b>4819 462 79191</b> | Stopper                |      |    |
| 154 4    | <b>4819 535 98241</b> | Rod                    |      |    |
| 154 9    | <b>4819 418 79464</b> | Holder,bottles         |      |    |
| 155 0    | <b>4819 460 88404</b> | Holder, eggs           |      |    |
| 171 0    | <b>4819 460 88512</b> | Trim                   |      |    |
| 171 3    | <b>4819 460 88599</b> | Front,panel            |      |    |
| 191 1    | <b>4819 468 18141</b> | Magnetic seal          |      |    |
| 242 0    | <b>4819 418 78162</b> | Crisper                |      |    |
| 244 4    | <b>4819 458 19605</b> | Shelf flap             |      |    |
| 245 0    | <b>4819 458 19602</b> | Shelf                  |      |    |
| 245 1    | <b>4819 458 58295</b> | Shelf                  |      |    |
| 252 0    | <b>4819 418 78931</b> | Casing                 |      |    |
| 255 0    | <b>4819 466 78145</b> | Glass shelf            |      |    |
| 301 0    | <b>4819 462 79233</b> | Front                  |      |    |
| 301 1    | <b>4819 440 89228</b> | Front                  |      |    |
| 301 4    | <b>4819 459 19399</b> | Insert                 |      |    |
| 301 6    | <b>4819 462 79189</b> | Stopper                |      |    |
| 324 0    | <b>4819 460 49681</b> | Small plate            |      |    |
| 324 1    | <b>4819 460 49682</b> | Small plate            |      |    |
| 335 0    | <b>4819 411 28803</b> | Knob thermostat        |      |    |
| 402 0    | <b>4819 360 38548</b> | Compressor BP1084Z     |      |    |
| 402 1    | <b>4819 418 78641</b> | Tray,compressor        |      |    |
| 402 4    | <b>4819 404 48991</b> | Clip                   |      |    |
| 493 0    | <b>4819 462 79239</b> | Cover compressor       |      |    |
| 493 2    | <b>4819 462 79738</b> | Cover                  |      |    |
| 554 0    | <b>4819 271 28889</b> | Thermostat             |      |    |
| 561 0    | <b>4819 282 28526</b> | Protect,motor          |      |    |
| 561 3    | <b>4819 502 18311</b> | Screw                  |      |    |
| 561 4    | <b>4819 290 68281</b> | Screw f. connect.block |      |    |
| 561 5    | <b>4819 466 88907</b> | Fastener               |      |    |
| 561 6    | <b>4819 290 68279</b> | Plate,connector        |      |    |
| 614 1    | <b>4819 280 68245</b> | Resistor,PTC           |      |    |
| 651 0    | <b>4819 134 88106</b> | Lamp E14-220V 15W      |      |    |
| 652 0    | <b>4819 255 18191</b> | Holder,lamp            |      |    |
| 740 0    | <b>4819 511 48538</b> | Condenser              |      |    |
| 740 3    | <b>4819 466 98259</b> | Striker                |      |    |
| 764 0    | <b>4812 480 28006</b> | Dryer 10 g             |      |    |
| 781 6    | <b>4819 529 28178</b> | Cover sensor           |      |    |
| 903 0    | <b>4819 535 18117</b> | Stopper                |      |    |
| 993 2    | <b>4819 690 28169</b> | Swab                   |      |    |

**Exploded view**

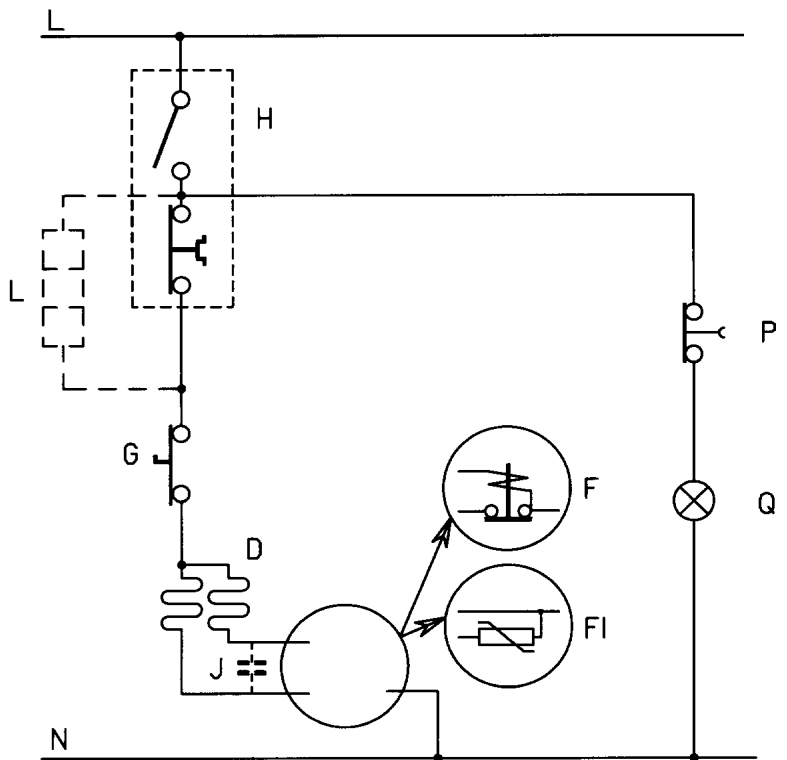


0000 001 26313

## Circuit diagram



- D COMPRESSOR
- F STARTING RELAY
- FI P.T.C.
- G OVERLOAD PROTECTOR
- H THERMOSTAT
- J CAPACITOR
- L DEFROST.HEATING ELEMENT
- P LIGHT SWITCH
- Q LAMP
- A PLUG
- B MAIN CONNECT BLOCK
- BI CONNECT BLOCK
- X COMPRESSOR EARTHING
- XI THERMOSTAT EARTHING
- 00 BLACK
- 11 BROWN
- 22 RED
- 33 ORANGE
- 66 BLUE
- 77 VIOLET
- 88 BLUE-SKY
- 99 WHITE
- 45 YELLOW-GREEN



4619 500 78572B