

**IGNIS**

# Service-Manual

Freestanding Cooling

Combi

ARL 478/G

<b>Model Version</b>		<b>Page</b>
ARL 478/G		
8539 478 01000		
	Technical data	2
	Spare part list	3
	Exploded view	4
	Circuit diagram	5

## Technical data

### Dimensions

Height	179	cm
Width	55	cm
Depth	60	cm

### Capacity

#### Total

gross	324	l
net	300	l

### Cooling

gross	208	l
net	204	l

### Freezing

gross	116	l
net	96	l

### Electrical connection

Voltage	220 - 240	V
Frequency	50	Hz

### Power consumption

in 24 hours	1.62	kWh
-------------	------	-----

### Compressor Refrigerator

Type	GD 36 AA	
Capacity (CECOMAF)	65	W

### Compressor Freezer

Type	BP 1048 Z	
Capacity (CECOMAF)	77	W

### Cooling agent

Type	R 134 a	
Quantity	50/110	g

### Thermostat Refrigerator

#### Switching value

Switch on temperature min.	+ 4.5	°C
Switch on temperature max.	+ 4.5	°C
Switch off temperature min.	- 13.0	°C
Switch off temperature max.	- 26.0	°C

### Thermostat Freezer

#### Switching value

Switch on temperature min.	- 17.0	°C
Switch on temperature max.	- 26.0	°C
Switch off temperature min.	- 21.0	°C
Switch off temperature max.	- 30.0	°C

### Freezing capacity

in 24 hours	10	kg
-------------	----	----

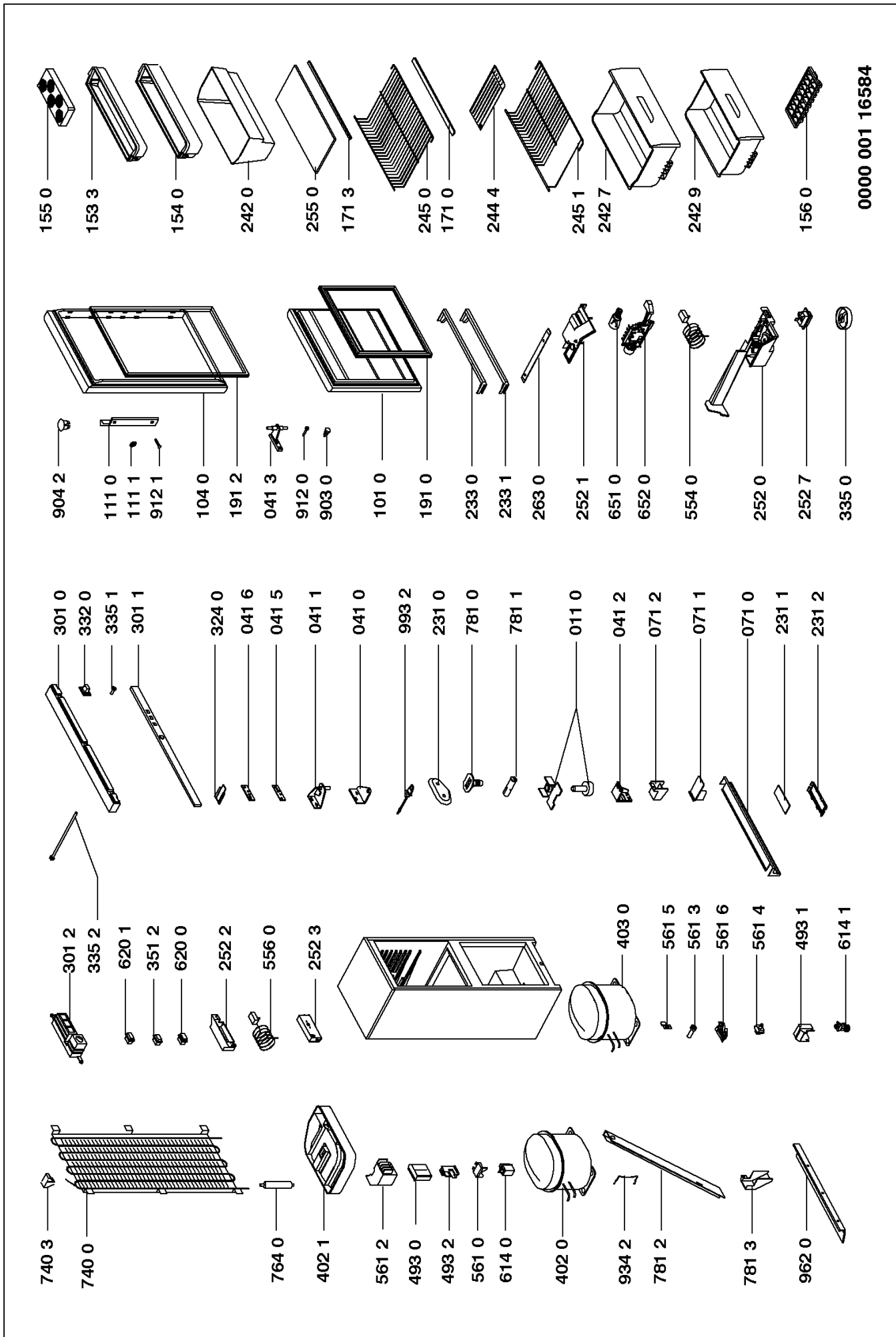
## Spare part list

Model **ARL 478/G**  
Service No. **853947801000**  
Version **853947801000**

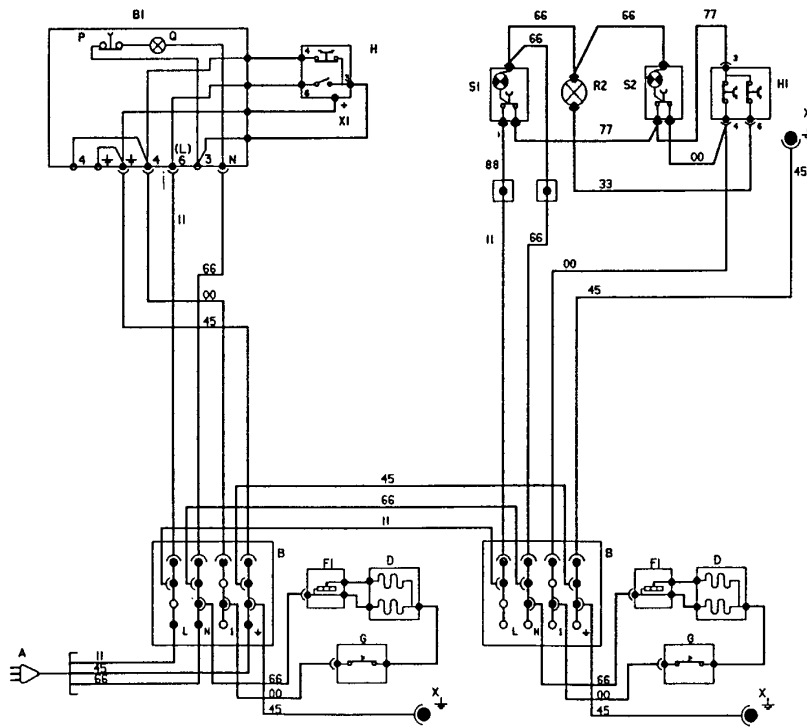
Pos. No.	12NC Code	Description
011 0	<b>4819 505 18335</b>	Foot
041 0	<b>4819 417 19558</b>	Hinge,upper
041 1	<b>4819 417 19559</b>	Hinge,upper
041 2	<b>4819 417 19544</b>	Hinge
041 3	<b>4819 417 19542</b>	Hinge
041 5	<b>4819 466 98487</b>	Small plate f.hinge left
041 6	<b>4819 466 98488</b>	Small plate f.hinge right
071 0	<b>4819 442 68703</b>	Plinth
071 1	<b>4819 459 19436</b>	Insert
071 2	<b>4819 404 78921</b>	Support
101 0	<b>4819 442 68817</b>	Door, freezer
104 0	<b>4819 442 68793</b>	Outerdoor refr.
111 0	<b>4819 498 78132</b>	Handle,door
111 1	<b>4819 462 79466</b>	Cover
153 3	<b>4819 418 79332</b>	Holder,bottles
154 0	<b>4819 418 79388</b>	Holder,bottles
155 0	<b>4819 460 88408</b>	Holder, eggs
156 0	<b>4812 418 48387</b>	Icecube,contain
171 0	<b>4819 460 88514</b>	Trim
171 3	<b>4819 460 89247</b>	Trim
191 0	<b>4819 468 18074</b>	Magnetic seal
191 2	<b>4819 468 18072</b>	Magnetic seal
231 0	<b>4819 462 58101</b>	Clamp sensor
231 1	<b>4819 466 88956</b>	Cover sensor
231 2	<b>4819 466 89101</b>	Clamp sensor
233 0	<b>4819 404 78619</b>	Holder f.evaporator/top
233 1	<b>4819 404 78617</b>	Holder f.evaporator/lower
242 0	<b>4819 418 79021</b>	Crisper
242 7	<b>4819 418 79193</b>	Basket
242 9	<b>4819 418 79194</b>	Basket small
244 4	<b>4819 458 19605</b>	Shelf flap
245 0	<b>4819 458 68085</b>	Grid
245 1	<b>4819 458 68087</b>	Grid
252 0	<b>4819 418 78586</b>	Casing thermostat
252 1	<b>4819 462 79393</b>	Cover thermostat
252 2	<b>4819 404 78494</b>	Holder f.thermostat
252 3	<b>4819 418 78813</b>	Cover,thermost.
252 7	<b>4819 462 79405</b>	Switch
255 0	<b>4819 466 78139</b>	Plate
263 0	<b>4819 462 38683</b>	Rail
301 0	<b>4819 404 78649</b>	Control panel
301 1	<b>4819 452 99755</b>	Front
301 2	<b>4819 404 78495</b>	Holder f.knob
324 0	<b>4819 460 49368</b>	Small plate
332 0	<b>4819 410 28561</b>	Button
335 0	<b>4819 413 48107</b>	Knob thermostat
335 1	<b>4819 411 28794</b>	Knob thermostat
335 2	<b>4819 535 98445</b>	Alterati.switch
351 2	<b>4819 134 48435</b>	Pilot lamp red
402 0	<b>4819 360 38549</b>	Compressor GD36AA
402 1	<b>4819 418 78833</b>	Tray,compressor
403 0	<b>4819 360 38548</b>	Compressor BP1084Z
493 0	<b>4819 462 58114</b>	Cover
493 1	<b>4819 462 79239</b>	Cover compressor
493 2	<b>4819 462 79738</b>	Cover

Pos. No.	12NC Code	Description
554 0	<b>4819 271 28788</b>	Thermostat
556 0	<b>4819 271 28791</b>	Thermostat freezer
561 0	<b>4819 282 28584</b>	Protect,motor
561 2	<b>4819 290 68313</b>	Connect.block
561 3	<b>4819 502 18311</b>	Screw
561 4	<b>4819 290 68281</b>	Screw f. connect.block
561 5	<b>4819 466 88907</b>	Fastener
561 6	<b>4819 290 68279</b>	Plate,connector
614 0	<b>4819 280 68312</b>	Relay
614 1	<b>4819 280 68245</b>	Resistor,PTC
620 0	<b>4819 276 18259</b>	Switch
620 1	<b>4819 276 18261</b>	Pilot lamp
651 0	<b>4819 134 88106</b>	Lamp E14-240V 15W
652 0	<b>4819 466 98567</b>	Holder,thermom. f. Atea-thermostat
740 0	<b>4819 511 48489</b>	Condenser
740 3	<b>4819 466 98259</b>	Striker
764 0	<b>4819 526 48527</b>	Dryer
781 0	<b>4819 462 78785</b>	Threaded cap
781 1	<b>4819 526 48478</b>	Coupling piece
781 2	<b>4819 529 28168</b>	Water conveyor
781 3	<b>4819 526 48316</b>	Coupling piece
903 0	<b>4819 492 48154</b>	Stopper
904 2	<b>4819 462 78448</b>	Stopper
912 0	<b>4819 502 18152</b>	Screw
912 1	<b>4819 502 18338</b>	Screw
934 2	<b>4819 492 68648</b>	Spring
962 0	<b>4819 460 89163</b>	Bracket
993 2	<b>4819 690 28169</b>	Swab
993 9	<b>4819 310 39475</b>	Accessories

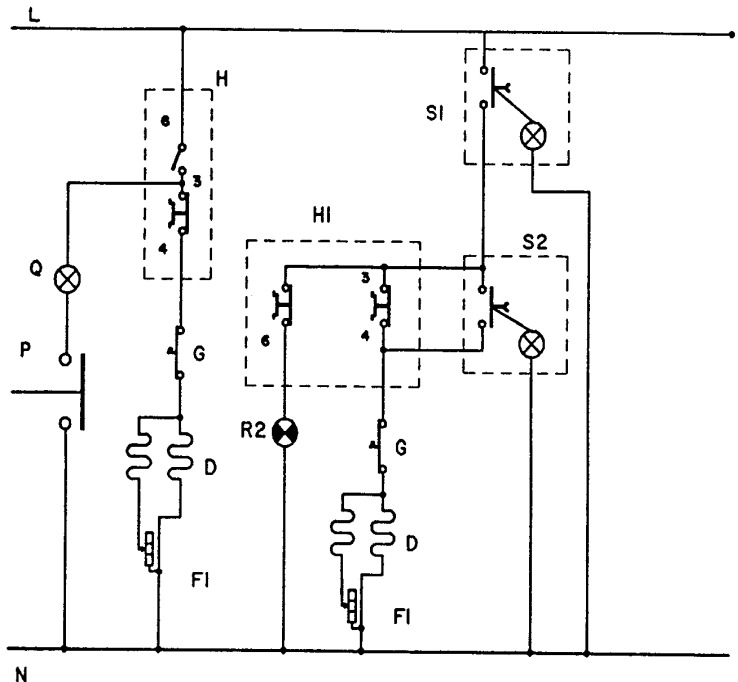
**Exploded view**



## Circuit diagram



- A PLUG
- B MAIN CONNECT BLOCK
- BI CONNECT BLOCK
- D REFRIGERATOR COMPRESSOR
- DI FREEZER COMPRESSOR
- FI P.T.C.
- G OVERLOAD PROTECTOR
- H REFRIGERATOR THERMOSTAT
- HI FREEZER THERMOSTAT
- P LAMP SWITCH
- Q LAMP
- R2 RED PILOT LAMP
- S1 SWITCH WITH GREEN PILOT LAMP
- S2 SWITCH WITH YELLOW PILOT LAMP
- X COMPRESSOR EARTHING
- XI THERMOSTAT EARTHING



- 00 BLACK
- 11 BROWN
- 22 RED
- 33 ORANGE
- 44 YELLOW
- 55 GREEN
- 66 BLUE
- 77 VIOLET
- 88 BLUE-SKY
- 99 WHITE

4619 500 79540

4812 711 70023