

**IGNIS**

# Service Manual

Freestanding Cooling

Combi

ARL 478/G

| <b>Model<br/>Version</b> |                            | <b>Page</b> |
|--------------------------|----------------------------|-------------|
| ARL 478/G                |                            |             |
| 8539 478 01001           |                            |             |
|                          | Technical data             | 2           |
|                          | Spare part list            | 3           |
|                          | Exploded view              | 4           |
|                          | Circuit and Wiring diagram | 5           |

**Technical data**

**Dimensions**

|        |       |    |
|--------|-------|----|
| Height | 179.0 | cm |
| Width  | 55.3  | cm |
| Depth  | 60.0  | cm |

**Capacity**

|                 |     |   |
|-----------------|-----|---|
| <b>Total</b>    |     |   |
| gross           | 324 | l |
| net             | 300 | l |
| <b>Cooling</b>  |     |   |
| gross           | 208 | l |
| net             | 204 | l |
| <b>Freezing</b> |     |   |
| gross           | 116 | l |
| net             | 96  | l |

**Electrical connection**

|           |           |    |
|-----------|-----------|----|
| Voltage   | 220 - 240 | V  |
| Frequency | 50        | Hz |

**Power consumption**

|             |      |     |
|-------------|------|-----|
| in 24 hours | 1.53 | kWh |
|-------------|------|-----|

**Freezing capacity**

|             |    |    |
|-------------|----|----|
| in 24 hours | 10 | kg |
|-------------|----|----|

**Compressor (cooling)**

|                    |          |
|--------------------|----------|
| Type               | GD 36 AA |
| Capacity (CECOMAF) | 58 W     |

**Compressor (freezing)**

|                    |           |
|--------------------|-----------|
| Type               | BP 1084 Z |
| Capacity (CECOMAF) | 75 W      |

**Refrigerant (cooling)**

|          |         |
|----------|---------|
| Type     | R 134 a |
| Quantity | 50 g    |

**Refrigerant (freezing)**

|          |         |
|----------|---------|
| Type     | R 134 a |
| Quantity | 110 g   |

**Thermostat switching value (cooling)**

|                             |        |    |
|-----------------------------|--------|----|
| Switch on temperature min.  | + 4.5  | °C |
| Switch on temperature max.  | + 4.5  | °C |
| Switch off temperature min. | - 13.0 | °C |
| Switch off temperature max. | - 26.0 | °C |

**Thermostat switching value (freezing)**

|                             |        |    |
|-----------------------------|--------|----|
| Switch on temperature min.  | - 17.0 | °C |
| Switch on temperature max.  | - 26.0 | °C |
| Switch off temperature min. | - 21.0 | °C |
| Switch off temperature max. | - 30.0 | °C |

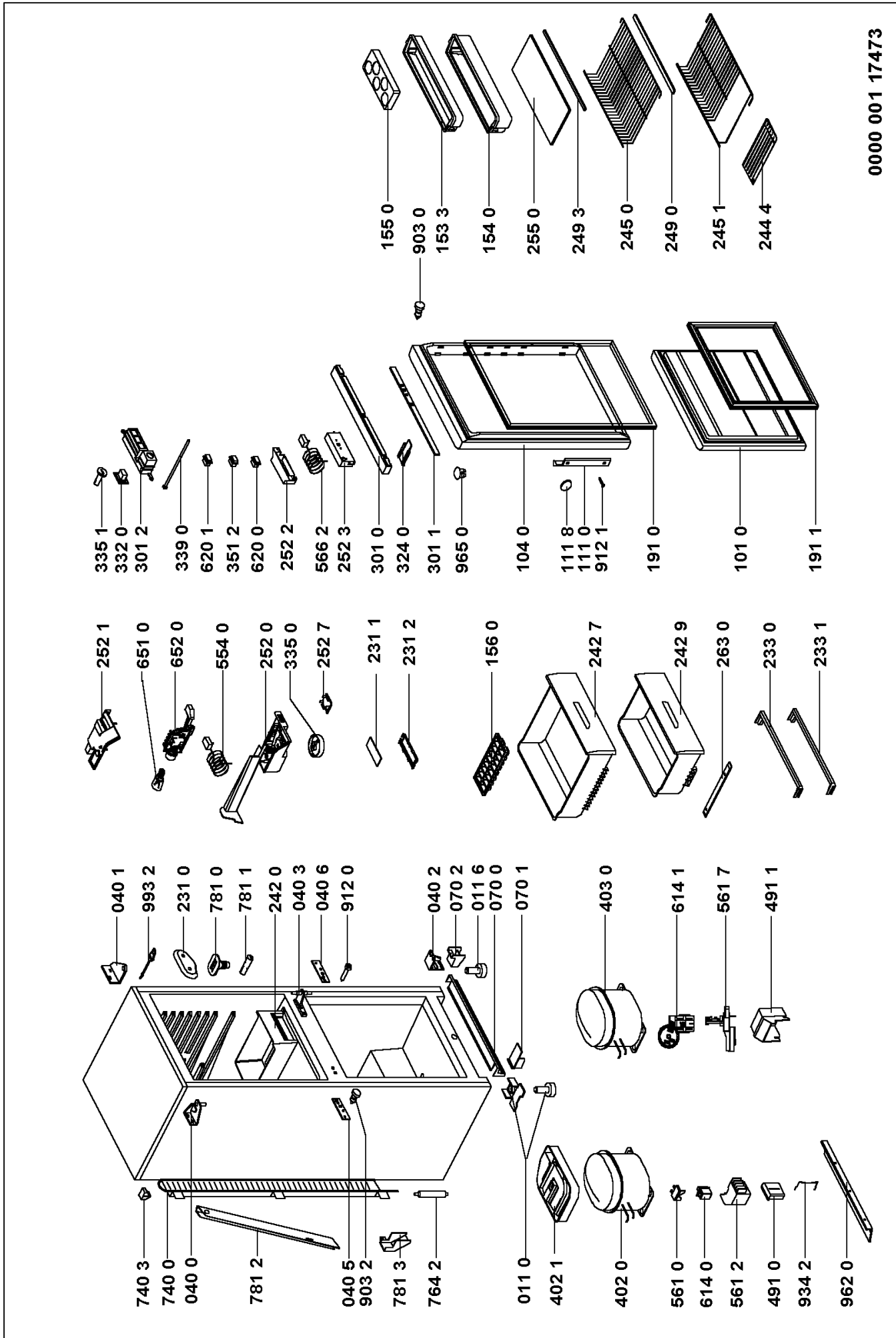
## Spare part list

Model **ARL 478/G**  
Service No. **853947801001**  
Version **853947801001**

| Pos. No. | 12NC Code             | Description                |
|----------|-----------------------|----------------------------|
| 011 0    | <b>4819 505 18335</b> | Foot                       |
| 011 6    | <b>4819 462 48513</b> | Foot                       |
| 040 0    | <b>4819 417 19558</b> | Hinge,upper                |
| 040 1    | <b>4819 417 19559</b> | Hinge,upper                |
| 040 2    | <b>4819 417 19642</b> | Hinge, lower               |
| 040 3    | <b>4812 417 18826</b> | Hinge, middle              |
| 040 5    | <b>4819 466 98487</b> | Small plate f. hinge left  |
| 040 6    | <b>4819 466 98488</b> | Small plate f. hinge right |
| 070 0    | <b>4819 442 68703</b> | Plinth                     |
| 070 1    | <b>4819 459 19436</b> | Insert                     |
| 070 2    | <b>4819 404 78921</b> | Support                    |
| 101 0    | <b>4819 442 68817</b> | Door, freezer              |
| 104 0    | <b>4819 442 68793</b> | Door, refriger.            |
| 111 0    | <b>4819 498 78132</b> | Handle, door               |
| 111 8    | <b>4819 462 79466</b> | Stopper                    |
| 153 3    | <b>4819 418 79332</b> | Door,dairy                 |
| 154 0    | <b>4819 418 79388</b> | Holder, bottles            |
| 155 0    | <b>4812 418 28013</b> | Holder, eggs (6 pcs.)      |
| 156 0    | <b>4819 418 48116</b> | Icecube, tray              |
| 191 0    | <b>4819 468 18072</b> | Magnetic seal              |
| 191 1    | <b>4819 468 18074</b> | Magnetic seal              |
| 231 0    | <b>4819 462 58101</b> | Clamp sensor               |
| 231 1    | <b>4819 466 88956</b> | Cover sensor               |
| 231 2    | <b>4819 466 89101</b> | Clamp sensor               |
| 233 0    | <b>4819 404 79375</b> | Holder, evaporator         |
| 233 1    | <b>4819 404 79374</b> | Holder, evaporator         |
| 242 0    | <b>4819 418 79021</b> | Crisper                    |
| 242 7    | <b>4819 418 79193</b> | Drawer                     |
| 242 9    | <b>4819 418 79194</b> | Drawer small               |
| 244 4    | <b>4819 458 19605</b> | Shelf flap                 |
| 245 0    | <b>4819 458 68085</b> | Grid                       |
| 245 1    | <b>4819 458 68087</b> | Grid                       |
| 249 0    | <b>4819 460 88514</b> | Trim                       |
| 249 3    | <b>4819 460 89247</b> | Trim                       |
| 252 0    | <b>4819 418 78586</b> | Casing thermostat          |
| 252 1    | <b>4819 462 79393</b> | Cover thermostat           |
| 252 2    | <b>4819 404 78494</b> | Holder f. thermostat       |
| 252 3    | <b>4819 418 78813</b> | Cover, thermost.           |
| 252 7    | <b>4819 462 79405</b> | Cover                      |
| 255 0    | <b>4819 466 78139</b> | Glass shelf                |
| 263 0    | <b>4819 462 38886</b> | Guide                      |
| 301 0    | <b>4819 404 78649</b> | Control panel              |
| 301 1    | <b>4819 452 99755</b> | Front                      |
| 301 2    | <b>4819 404 78495</b> | Holder f. knob             |
| 324 0    | <b>4819 460 49368</b> | Small plate                |
| 332 0    | <b>4819 410 28561</b> | Button                     |
| 335 0    | <b>4819 413 48107</b> | Knob thermostat            |
| 335 1    | <b>4819 411 28794</b> | Knob thermostat            |
| 339 0    | <b>4819 535 98445</b> | Altern. switch             |
| 351 2    | <b>4819 134 48435</b> | Pilot lamp red             |
| 402 0    | <b>4812 360 38579</b> | Compressor GD 36 AA        |
| 402 1    | <b>4819 418 78833</b> | Tray,compressor            |
| 403 0    | <b>4812 360 38635</b> | Compressor BP 1084 Z       |
| 491 0    | <b>4819 462 88104</b> | Cover, conn.bloc           |
| 491 1    | <b>4812 290 88075</b> | Cover, conn.bloc           |

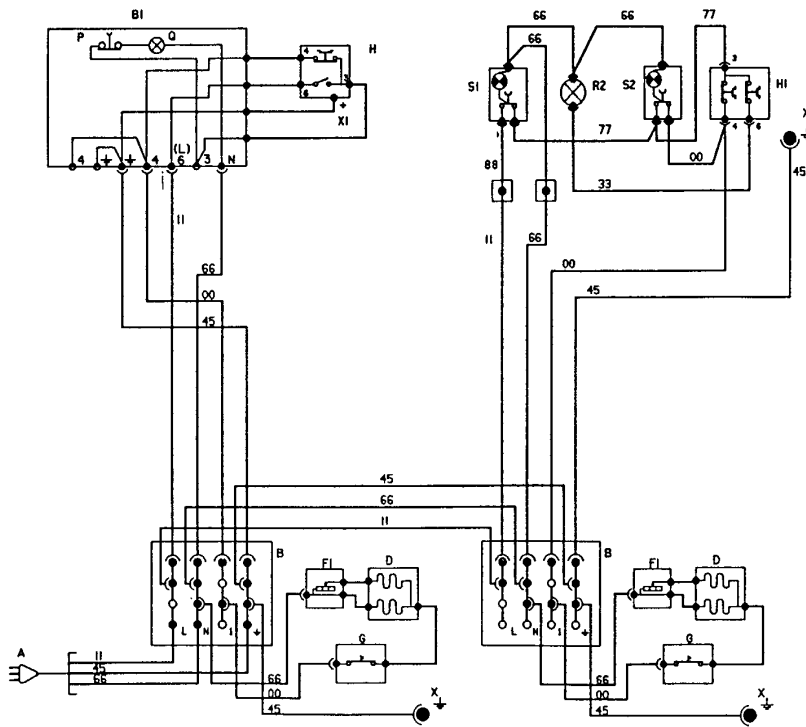
| Pos. No. | 12NC Code             | Description                    |
|----------|-----------------------|--------------------------------|
| 554 0    | <b>4819 271 28788</b> | Thermostat A13-0103-26         |
| 561 0    | <b>4812 036 18926</b> | Protect,motor 4TM 205 NFBYY-51 |
| 561 2    | <b>4819 290 68424</b> | Connect.block                  |
| 561 7    | <b>4819 290 68431</b> | Connectionblock                |
| 566 2    | <b>4819 271 28791</b> | Thermostat freezer             |
| 614 0    | <b>4819 280 68312</b> | Relay PTC3001-4                |
| 614 1    | <b>4812 280 68331</b> | Monoblock +AD25FQ10            |
| 620 0    | <b>4819 276 18259</b> | Switch f. heater               |
| 620 1    | <b>4819 276 18261</b> | Pilot lamp                     |
| 651 0    | <b>4819 134 88135</b> | Lamp E14 220V 15W              |
| 652 0    | <b>4819 466 98567</b> | Holder f. thermostat           |
| 740 0    | <b>4819 511 48489</b> | Condenser                      |
| 740 3    | <b>4819 466 98259</b> | Spacer                         |
| 764 2    | <b>4819 480 28144</b> | Dryer                          |
| 781 0    | <b>4819 462 78785</b> | Threaded cap                   |
| 781 1    | <b>4819 526 48478</b> | Coupling piece                 |
| 781 2    | <b>4819 529 28168</b> | Water conveyor                 |
| 781 3    | <b>4819 526 48316</b> | Coupling piece                 |
| 903 0    | <b>4819 535 18117</b> | Stopper                        |
| 903 2    | <b>4819 492 48154</b> | Stopper                        |
| 912 0    | <b>4812 502 18439</b> | Screw M4 X17                   |
| 912 1    | <b>4819 502 18338</b> | Screw                          |
| 934 2    | <b>4819 492 68648</b> | Spring                         |
| 962 0    | <b>4819 460 89163</b> | Bracket                        |
| 965 0    | <b>4819 462 78448</b> | Stopper                        |
| 993 2    | <b>4819 690 28169</b> | Swab                           |
| 993 9    | <b>4819 310 39475</b> | Door revers.Kit                |

**Exploded view**

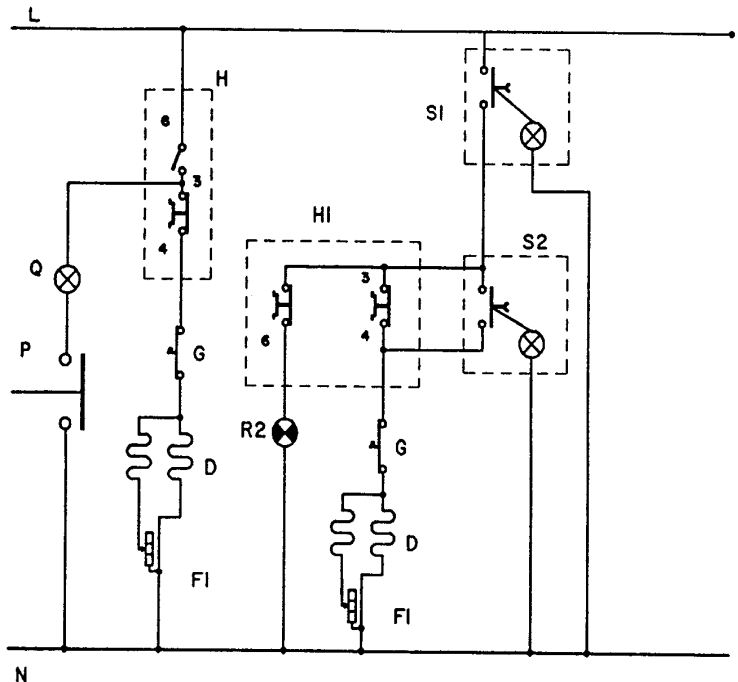


0000 001 17473

**Circuit and Wiring diagram**



- A PLUG
- B MAIN CONNECT BLOCK
- BI CONNECT BLOCK
- D REFRIGERATOR COMPRESSOR
- DI FREEZER COMPRESSOR
- FI P.T.C.
- G OVERLOAD PROTECTOR
- H REFRIGERATOR THERMOSTAT
- HI FREEZER THERMOSTAT
- P LAMP SWITCH
- Q LAMP
- R2 RED PILOT LAMP
- S1 SWITCH WITH GREEN PILOT LAMP
- S2 SWITCH WITH YELLOW PILOT LAMP
- X COMPRESSOR EARTHING
- XI THERMOSTAT EARTHING



- 00 BLACK
- 11 BROWN
- 22 RED
- 33 ORANGE
- 44 YELLOW
- 55 GREEN
- 66 BLUE
- 77 VIOLET
- 88 BLUE-SKY
- 99 WHITE

4619 500 79540  
4812 711 70023