

typ modelu:  
**DG6345W**

Kod handlowy:  
**18238**

## Informacje Główne

### Przewodnik Dokumentacji Technicznej

---

---

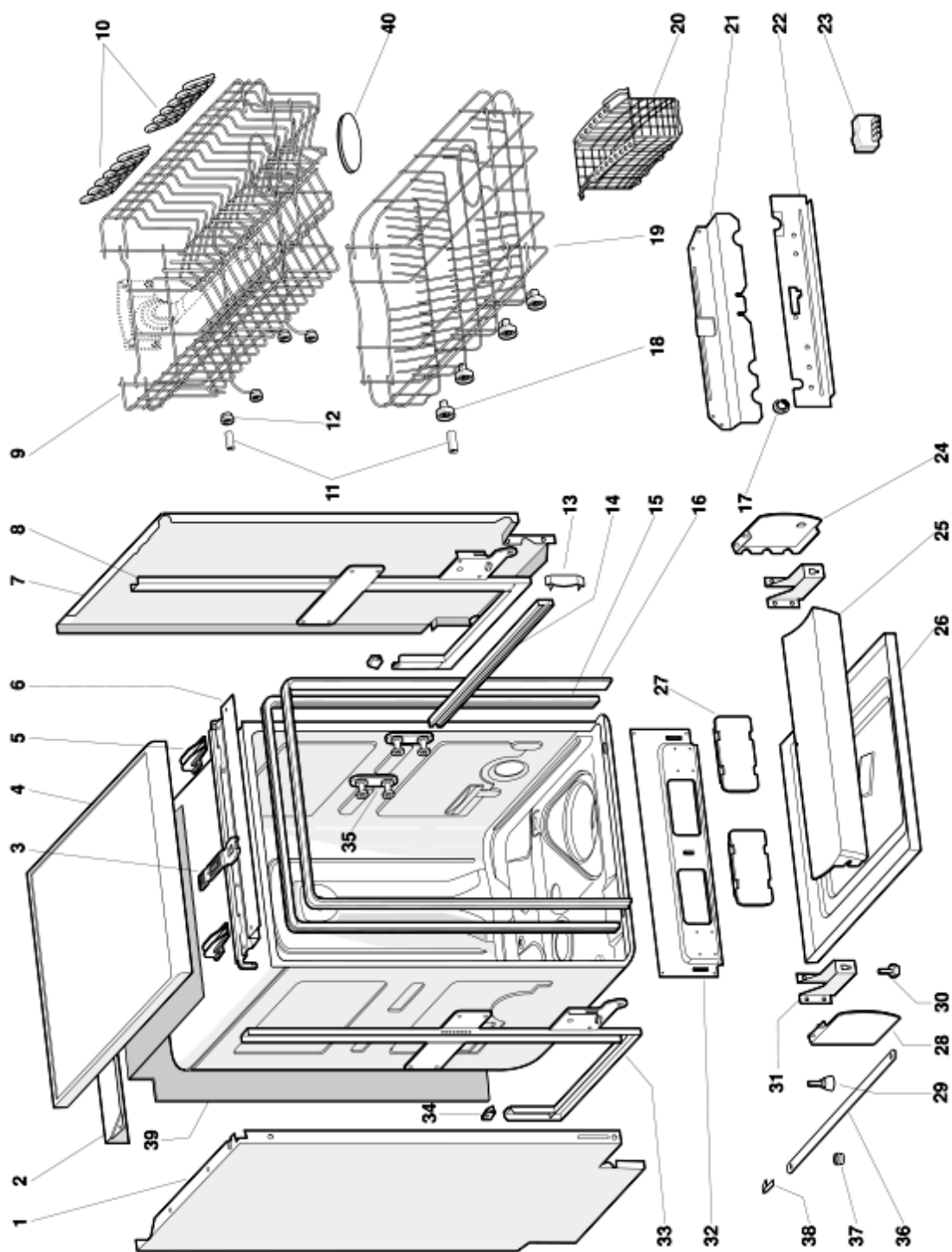
Możesz tutaj odnaleźć podstawowe informacje ułatwiające korzystanie z dokumentacji technicznej

1. Modele tej samej gamy posiadają wspólne rysunki, które przedstawiają najbogatszy zestaw części; generalnie wybrany model niekoniecznie posiadać będzie w spisie części wszystkie pozycje przedstawione na rysunku
  2. Niektóre części nie mogą być przedstawione bezpośrednio na rysunku (instrukcje użytkownika, zestawy montażowe itd.). Można je odnaleźć w liście części pod pozycją gdzie są zainstalowane lub pod pozycją 09
  3. W prawym górnym rogu każdego rysunku widnieje numer seryjny wskazujący początek produkcji danej gamy urządzeń. Niektóre modele mogą posiadać więcej niż jeden rysunek dla podanej kategorii, każdy inny dla różnych numerów seryjnych.
  4. Rysunki złożeniowe mogą wymagać dalszych uaktualnień po ich publikacji. Nowe części zostaną dodane do odpowiednich oznaczeń numerycznych rysunku. Oznaczenie kodowe modyfikacji rysunku zawarte jest w ostatnich 4 cyfrach numeru seryjnego przedstawionego w prawym górnym rogu rysunku.
  5. Lista części odnosząca się do danego rysunku zawiera spis części tylko dla wybranego modelu; dostępne są dodatkowe informacje dla każdej części.
- REF. Numer referencyjny do tabeli; SUBSTITUT: lista części które zastępują dany kod zachowując takie same charakterystyki funkcjonalne
- KOD HANDLOWY: lista wariantów modelu (pokazana w nazwie modelu) gdzie dana część jest zastosowana; UWAGA: kod informacji potrzebny do interwencji, prześledź zmiany aby poprawnie ustalić kod części
6. Niektóre notatki techniczne są ogólne dla danej sekcji, zatem nie mogą być związane tylko konkretnej części. Aby poruszać się w dokumentacjach modelu sprawnie, pomocne jest czytanie notatek i monitorowanie uaktualnień dokumentacji.
  7. Okładka dokumentacji technicznej przedstawia model sprzętu oraz jego kod handlowy.

2130110

rysunki

Matr.90514.0001



2130110

2130110

Lista części

Ref.	kod	Od S/N	Do S/N	Zamiennik	opis	Notatka	kod
000	C00064477				instruction book i.gb,f,d,e,nl,p		
001	C00054819			1 x C00056660	left side panel lh white		
002	C00063750				rear support - top		
003	C00054831				wspornik blok. kompensatora		
004	C00063838				górn. ramy biał. 27 new-line 45cm		
005	C00044607				kołek mocujący półkę		
006	C00063761			1 x C00082167	adjustment assembly for		
007	C00054820			1 x C00056660	right side panel white		
008	C00063826			1 x C00054811	side support - front rh	n1045043	
009	C00064481			1 x C00065159	upper basket 8/45		
010	C00046377				flap upper basket 'indesit giugiaro'		
010	C00063829				flap upper basket 'ariston'		
011	C00104638				sworzeń podstawy koła lvs 88/89		
012	C00040994				kółko koszyka gór. 'new aristella'		
013	C00040996				ogranicznik koła kosza		
014	C00033576				przewodnica kosza gór. 'ls com'		
015	C00063853			1 x C00116516	uszczelnienie zbiornika dla 45cm	n1045020	
015	C00085104				rama podtrz. uszczelka zbiornika	n1045047	
017	C00054830				drain hose fastener		
018	C00056347				kółko koszyka dol.		
019	C00064482			1 x C00111099	zespół kosz dol.		
019	C00091695				settore reclinabile cesto inferiore		
020	C00063841				kosz na sztućce 45cm		
021	C00063747			1 x C00093692	rear support - middle		
022	C00063746				lower rear support		
022	C00083705			1 x C00093693	lower rear support aquastop		
023	C00040987				terminal block	n1045044	
024	C00054838				forma główkowa cokół praw.		
025	C00063832				cokół biały 27 45cm		
026	C00063742				miseczka dno zbiornika 45cm		
027	C00063833				top for front support		
028	C00054837			1 x C00142905	forma główkowa cokół lew.		
030	C00056414			1 x C00104611	adjustable foot - all plastic	n1045033	
031	C00056010				wspornik nóżki typ x 'lvs2000'		
032	C00063842				front support - lower		

2130110

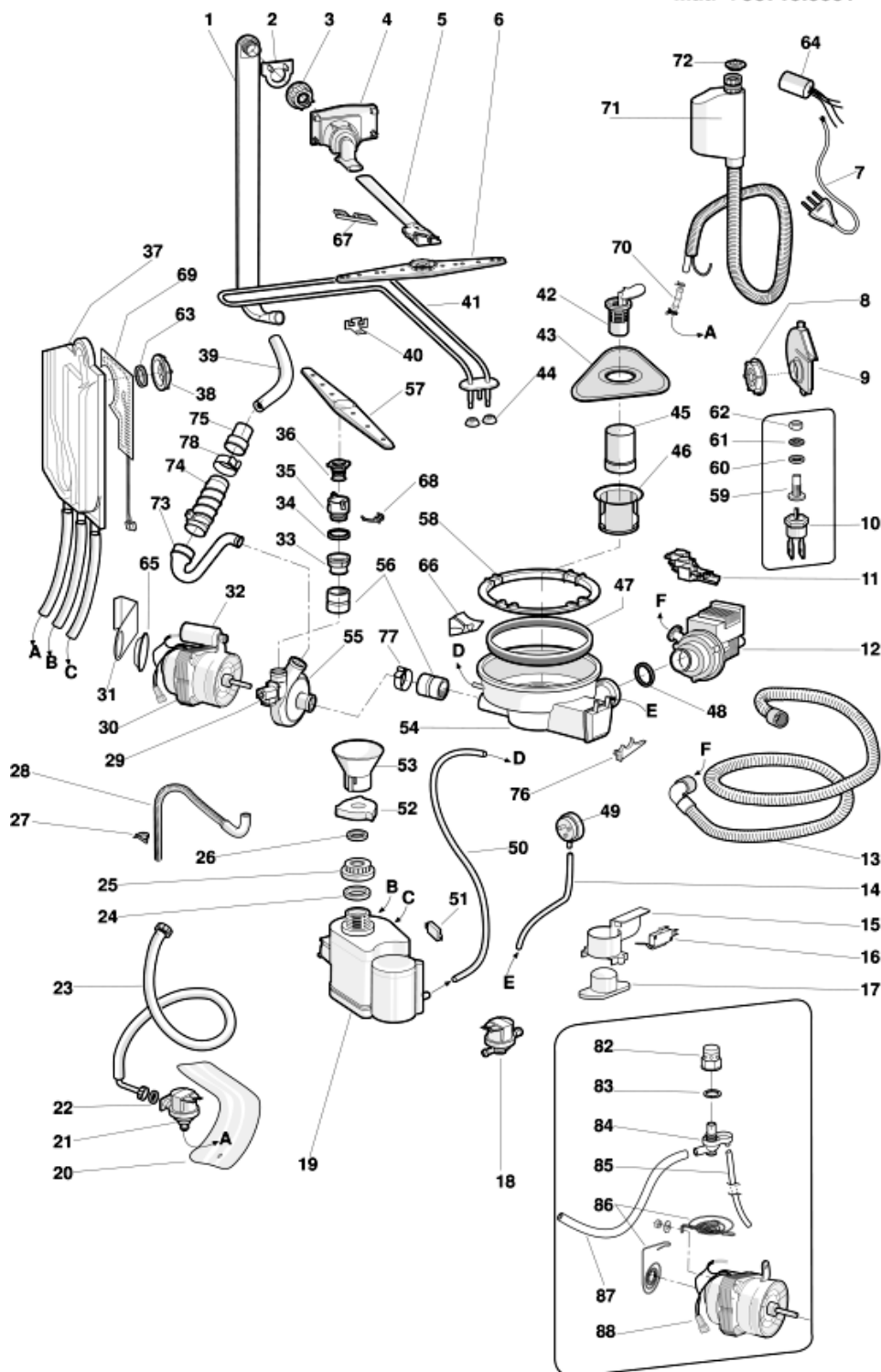
Lista części

Ref.	kod	Od S/N	Do S/N	Zamiennik	opis	Notatka	kod
033	C00063827			1 x C00054812	side support - front lh	n1045043	
034	C00055505			1 x C00066629	post piece		
035	C00054836				zestaw suportu szyny górn.		
039	C00064498				insulation mat - top and back		
040	C00058542				basket handle cover inner		
040	C00058543				basket handle cover outer		

2130210

rysunki

Matr . 90719.0001



2130210

2130210

Lista części

Ref.	kod	Od S/N	Do S/N	Zamiennik	opis	Notatka	kod
001	C00056001				rura zasil.wirnik górny 'lvs200		
002	C00054925				osłona przewodnicy kosza 'lvs		
003	C00054862			1 x C00144315	pierścień mocuj.przew.		
004	C00054871			1 x C00094134	zespół rozdzielacz zasilania'ls200	n1045084	
005	C00054926			1 x C00110526 1 x C00110527	przewód wewnętrzny 'lvs 2000'	n1045084	
006	C00063845			1 x C00110381	zespół skraplacz górny 45cm	n1045022	
007	C00063800				supply cable		
007	C00083706			1 x C00143371	kabel zasilający z wtyczką schuko		
008	C00054927			1 x C00144335	ring-nut for air-flow body		
009	C00054928				air-flow body		
010	C00041086				termostat bezpieczeństwa 78"		
011	C00064475			1 x C00064681	set termostat 45°C - 58°C	n1045129	
012	C00054843			1 x C00090537	drain pump v 230 50hz		
013	C00054869				rura spustowa 'lvs2000'		
014	C00054829			1 x C00066470	tube 650mm - pressure switch	n1045003 n1045017	
015	C00058842			1 x C00081162	container - overflow unit		
016	C00037205			1 x C00143107	microwyłącznik 'acquastop'		
017	C00058843				pływak do urz. przeciwprzelew.		
018	C00033618				elektrozawór odkamieniacz.220		
019	C00044542			1 x C00041237	softener assy + ev		
019	C00044543			1 x C00041484	softener + ev		
020	C00063847				protection electrovalve		
021	C00104773				elektrozawór 1-dr.'zesp.		
022	C00018315			1 x C00005781	sealing washer+filter - mains inlet		
023	C00042134			1 x C00009415	rura doprowadzająca re-flex		
024	C00103610				uszczelnienie pierścienia sale		
025	C00041090			1 x C00144235	pierścień sale 'new aristella'		
027	C00063857				tube clamp		
028	C00063836				rura przelewowa 1.380 45cm		
030	C00055946				pompa el. 220v-60w pakiet 20	n1045037	
031	C00063846				wspornik podtrzym. silnika lvs		
033	C00054850			1 x C00093752	pierścień zamocowania regul.doln.	n1045063	
034	C00054915				uszczelnienie o-ring (32,99x2,62)	n1045063	

2130210

Lista części

Ref.	kod	Od S/N	Do S/N	Zamiennik	opis	Notatka	kod
035	C00054861			1 x C00075111	support - lower wash arm bush	n1045032	
036	C00054860			1 x C00075111	bush - lower wash arm	n1045032	
037	C00054866				air-break 'lvs2000'		
038	C00054865				pierścień doprow. do air break		
039	C00054867			1 x C00076233	pump junction pipe		
040	C00054872				support bracket - heating element		
041	C00061014			1 x C00144251	opornik 45 1800w/230v	n1045018	
042	C00054863			1 x C00142344	filtr centraln. 'lvs2000'		
043	C00054851			1 x C00145075	filtr wymowaln. inox lvs2000		
044	C00033615				zabezpieczenie terminali opor. 'ls		
045	C00054853				filtr inox cylindr. 'lvs2000'		
046	C00054864			1 x C00061929	outer fine rotating filter		
047	C00054828				uszczelnienie studzienki 'lvs 2000'		
048	C00054917				uszczelnienie or (23,81x2,62)		
049	C00063834				presostat 1zakres zest. '45cm'	n1045017	
050	C00054868				rura odwapniaj. /coppa l.480mm		
051	C00043737				czujnik soli reed eledro	n1045030	
052	C00041088				zatyeczka soli 'new aristella'		
053	C00005819				ciagn. sól		
054	C00054870				zespół studzienka 'lvs2000'		
055	C00055005				osłona spir. złożona 'lvs 2000'		
056	C00054859			1 x C00079016	rubber sleeve		
057	C00063835			1 x C00074376	lower wash arm	n1045032	
058	C00054854				pierścień zamocowania studzienki		
059	C00063791				sonda-temperatury		
060	C00063792				uszczelnienie o-ring		
061	C00063790				podkładka d.8mm inox		
062	C00063788			1 x C00097871	nakrętka sześciokątna m8 inox		
063	C00075686				pierścień o-ring do przewodu		
063	C00103689			1 x C00084600	jet gasket		
064	C00076659			1 x C00143383	filtr tłumiący		
065	C00057179				pierścień antywibracyjny silnika		
066	C00056343				control suction		
067	C00056342				sworzeń montaż. przewodu	n1045084	
068	C00056737			1 x C00075111	manifold support	n1045032	



2130210

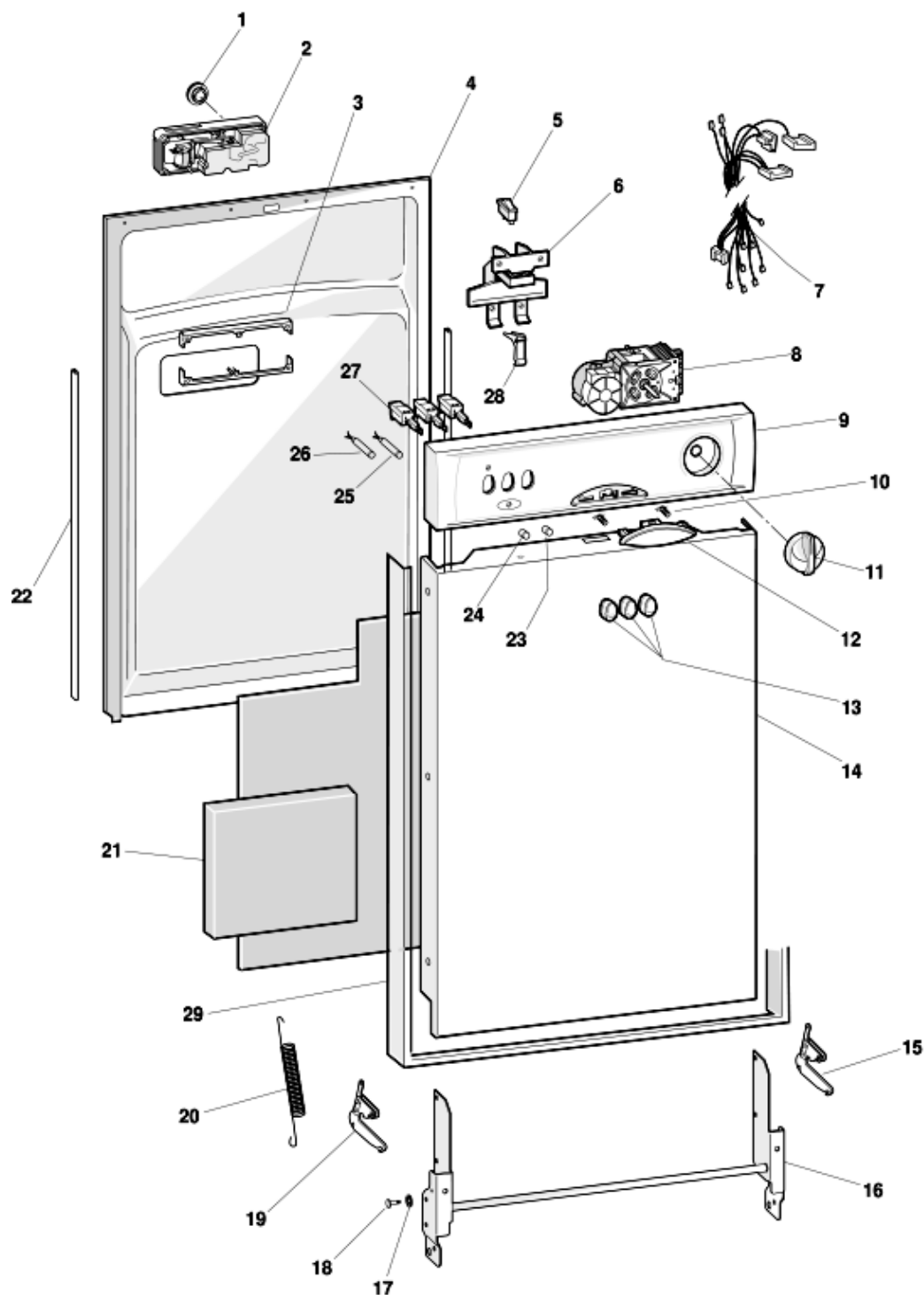
Lista części

Ref.	kod	Od S/N	Do S/N	Zamiennik	opis	Notatka	kod
069	C00064520				low-power heating element		
077	C00073917				zacisk tulei gumow. cima na-929-		
082	C00075726				korpus overflow	n1045037	
083	C00075695				uszczelnienie złącza przepł.	n1045037	
084	C00080518				wanienka przelewowa	n1045037	
085	C00079385				rura przelewowa do wanienki	n1045037	
086	C00076628				sprężyna zawieszenia silnika	n1045037	
087	C00079386			1 x C00054868	overflow hose	n1045037	
088	C00083478				pompa elektr. 220v-45w pakiet 20	n1045037	
099	C00040562			1 x C00084479	hose clamp		
099	C00104255				hose clamp		

2130310

rysunki

Matr.000201.0002



2130310

2130310

Lista części

Ref.	kod	Od S/N	Do S/N	Zamiennik	opis	Notatka	kod
002	C00063837				el.licz.deterg.+nabłyszczacz.		
004	C00063840			1 x C00091539	inner door panel stainless		
005	C00041194				microwyłacznik 'kls61s'		
006	C00063850				zamknięcie drzwi b.27 45cm		
007	C00064476				wiring harness - copreci td 020008		
007	C00084571				wiring harness - copreci td 020008		
008	C00061015				timer-średn. 3 przyciski -45cm-		
009	C00064478				panel ster. sitodruk biały/dg6345w'		
010	C00063851				handle cover spring		
011	C00044894				pokrętko timera b27 giugiario		
012	C00063849				uchwyt b.27 giugiario 45cm		
013	C00044826				przycisk /giugiario-b.27'indesit'		
014	C00064048				door shell bowed		
015	C00054815				artykuł zawias praw zestaw		
016	C00063758			1 x C00099193	zespół zawias komp. 45cm		
017	C00058776				pierścień sworznia zawiasu		
018	C00048504				sworzeń zawiasu 'ls615st'		
019	C00054817				artykuł zawias lew zestaw'ivs2000'		
020	C00054823				sprężyna drzwiczek 'ivs2000'		
021	C00064497				door soundproofing		
022	C00063831				side strip for door l=425		
023	C00100524				szkiełko czerw. opal dla lvs/89		
024	C00100525				szkiełko pomarańcz. opal x lvs/89		
025	C00051880				lampka kontrolna czerw. 'd4000'		
027	C00053402				wyłacznik dwubiegunowy		
027	C00064479				switch nc+na		
027	C00064480				deviator switch nc+na dou.pole		
028	C00063858				lever door hndle		
029	C00064049				door frame white		
099	C00040055				supply tube for barner posterior dx		
099	C00040288				lock nut m4		
099	C00041214			1 x C00041229	heat trasmitter paste		
099	C00065862				screw stainless 3,5x8 door liner		
099	C00077438				self-tapping galvanized screw sw		

## Notatki

## n1045003: Length of Pressure Switch Hose

---

Beginning with serial no. 90106.0001 the pressure switch hose will be lengthened by 20 mm and will measure, therefore, 620 mm. It will be handled with the same SAT part number as the pre-modification part (054829).  
The inventories at the Centralized Spare Parts Warehouse have already been updated.

## n1045017: New pressure switches and pipes.

---

Beginning with serial no. 00116.0001, instead of the pressure switch part no. 054841 and the pressure switch pipe part no. 054829, the part no. 063834 already employed on 45 cm appliances and part no. 066470 are used respectively on 60 cm Washing machines manufactured at the None factory.  
With the only exception of models LSI61 and LSI61A, fitted with a hide-away electro-mechanical timer, where the pressure switch part no. 056476 must absolutely be fitted (mod. Elbi 120mm).

Should the float come into operation during functioning on pre-modification appliances, then both the pressure switch and the pressure switch pipe should be replaced, using the new parts.  
In order to avoid any errors in the use of the part no. 054841, it was eliminated from documentation, whereas a kit is handled with part no. 063834, that is composed of both the pressure switch and the pipe.

## n1045018: New meliorative heating elements.

---

New meliorative heating elements have been created for 60 and 45 cm dishwashers, with the following spare part numbers:  
066598, with green surface colour, for 60 cm models.  
066602, for 45 cm models.  
The new heating elements replace part numbers 046319 and 061014(Rohs 144251).

## n1045020: New door gaskets

---

In order to eliminate any emission of steam from the door, new "TECAR" door gaskets are being used. The new parts keep the same spare part no. 059637 for 60 cm appliances and 063853 for 45 cm ones.

Before replacing the door gaskets, the following operations should be carried out:

Check whether there is any creasing on the corners, and if so then remove the seal and reassemble it correctly.

Use silicone to fill up any cracks in the frame (top left- and right-hand part).

Every time any intervention is carried out on the gasket, make sure the appliance is perfectly level in order to improve the assembly and replacement procedures.

## n1045022: New upper spray arm.

---

Beginning with serial no. 00504.0001, a new upper sprayer assembly will be assembled onto 45 cm LVS2000 dishwashers. The new assembly will keep the same spare part no. 063845 which can be assembled as a replacement for the pre-modification part no.. The old component cannot be assembled instead of the new one.

## n1045026: Tub gasket support frame spare part eliminated.

---

Upon indication from the Quality department at the Dishwasher producing factory, part no. 054932 will no longer be handled as a spare part.

## n1045030: Faraday cage for salt sensor indicator. 45cm Models.

---

The Faraday cage has been coded as the means to eliminate those instances where the salt indicator remains on, Spare Part Code : 077080.

The Faraday cage is to be considered as an exclusive intervention for the 45cm models.

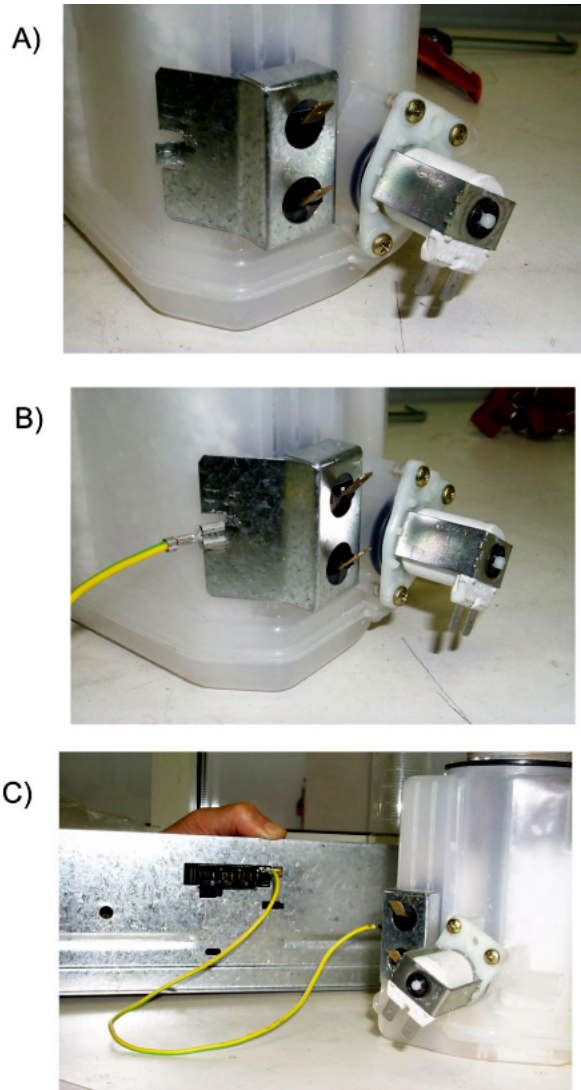
The Faraday cage protects the salt indicator from eventual electromagnetic disturbances and must be mounted as per the following indications :

A) Arrange the Faraday cage on the salt container sensor.

B) Insert the earth cable on the cage.

C) Insert the earth cable to the general clamp.

For assembly closely follow the photographic documentation in the NT003400 design.



n1045032: New lower spray arm assemblies.

---

Interventions on pre-modification Dishwashers up until serial no.000531.

60 cm appliances:

When replacing the lower spray arm part no.:

054857, the whole block needs to be replaced using the new assembly part no. 066645.

If, on the other hand, one of the following part numbers needs to be replaced

056737 - spring

054861 - manifold

054860 - support

then these should be replaced using kit - 075111.

45 cm appliances:

When replacing the lower spray arm part no.:

063835, the whole block needs to be replaced using the new assembly part no. 074376.

If, on the other hand, one of the following part numbers needs to be replaced

056737 - spring

054861 - manifold

054860 - support

then these should be replaced using kit - 075111.

For interventions on post-modification appliances beginning with serial number 00601, then the following individual new components need to be ordered:

066642 - spacer ring

066643 - manifold

075057 - ring nut

075108 - 60 cm spray arm

075109 - 45 cm spray arm.

n1045033: Kit of adjustable feet for dishwashers LVS2000, 140 mm high.

---

In order to cope with the increasingly frequent demand from furniture manufacturers, new 14 cm height-adjustable feet are being used on dishwashers LVS2000.

Moreover, a kit of adjustable feet has been made available which allows the worktop to be adjusted to a height of up to nine centimetres.

Spare part number of the Kit:

066655 KIT OF ADJUSTABLE FEET H.140

Spare part numbers for each individual foot:

066653 ADJUSTABLE FOOT WITH NUT H.140 MM

074435 ADJUSTABLE FOOT H=140 MM.

n1045037: New motors with suspension springs.

---

Indicatively, as of 10th October '00, the new overflow system was introduced on some dishwasher models from the LVS2000 range, where it is assembled as standard on the new Mark2 range appliances.

The new components are described as follows:

a) Overflow unit: cod sat 075726;

b) Overflow connection gasket: cod sat 075695;

c) Overflow connection container: cod sat 080518;

d) Overflow pipe for connection container: cod sat 079385-079386;

e) Motor suspension spring: cod sat 076628;

f) Suspended electropump: cod sat 083478-088121-078587-076627-077114-077140.

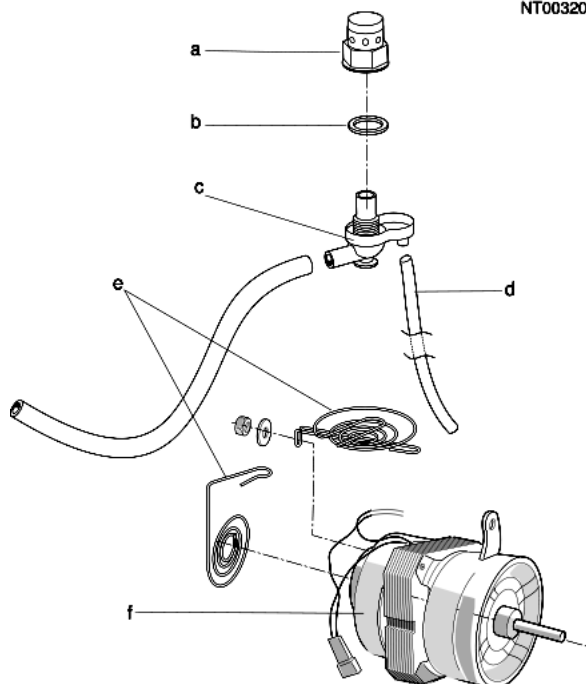
See technical drawing NT003200.

The new system also includes the assembly of the new motor with suspension spring which is not interchangeable with the old motor anchored to the support bracket.

n1045043: New feet regulation sets.

---

The new feet regulation sets must be mounted with the modified door posts of diameter 15 and the new back tray holes of diameter 15.



The bushes code 083632 must be mounted in the diameter 15 door posts on built-in models without Easy regulation feet. The tray set and the old feet regulation sets are not interchangeable with the new, and therefore the old are handled with the old and the new with the new.

The old codes are as follows :

054980 - 054981 - 061990 - 065922.

The new codes are :

083632 - 078397 - 078396 - 078809 - 083625.

In the 60 models the door posts maintain the same spare part code but the drill holes should be widened to mount the new bushes and new feet.

In the 45 model the new door posts may be used code 083623 and 083624, or mount the old codes 063826 and 063827, widening the holes for the new feet bushes.

#### n1045044: Changes to the terminal board of input cable of Dish-washer

New parts have been introduced on some models of Dishwashers, regarding a change of the input cable that does not have more the terminal board cod. 040987 and that introduces a new connection with a anti-jamming filter cod. 076659(Rohs 143383).

To introduce these new harnesses, the back and lower cross arms have been changed, too.

The new codes are the more recent ones with a numerical index. In case of intervention, the new code has to be substituted with the new one and the old code has been substituted with the old one

#### n1045063: Introduction of coupling+ring nut Sat code 093752

From serial number 30224.0001, all dishwashers affected by this modification have been equipped with the new coupling+ring nut assembly Sat code 093752, in place of coupling Sat code 079016, ring nut Sat code 054850 and gasket Sat code 054915.

Ring nut Sat code 054850 will continue to be available from the spare parts warehouse while stocks last, and coupling Sat code



079016 will continue to be stocked because it is still used for the tank-volute connection.  
Picture N1045063 illustrates the premodification structure in FIG1 and the new structure in FIG2.

N1045063

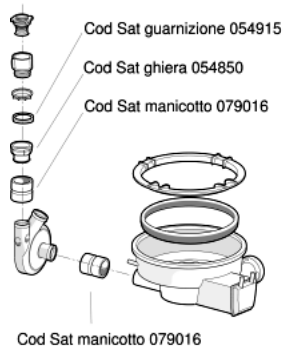


FIG. 1  
STRUTTURA  
PREMODIFICA

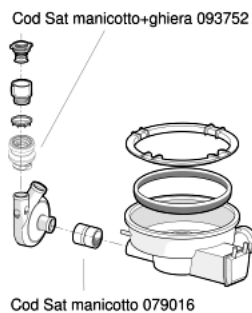


FIG. 2  
NUOVA  
STRUTTURA