



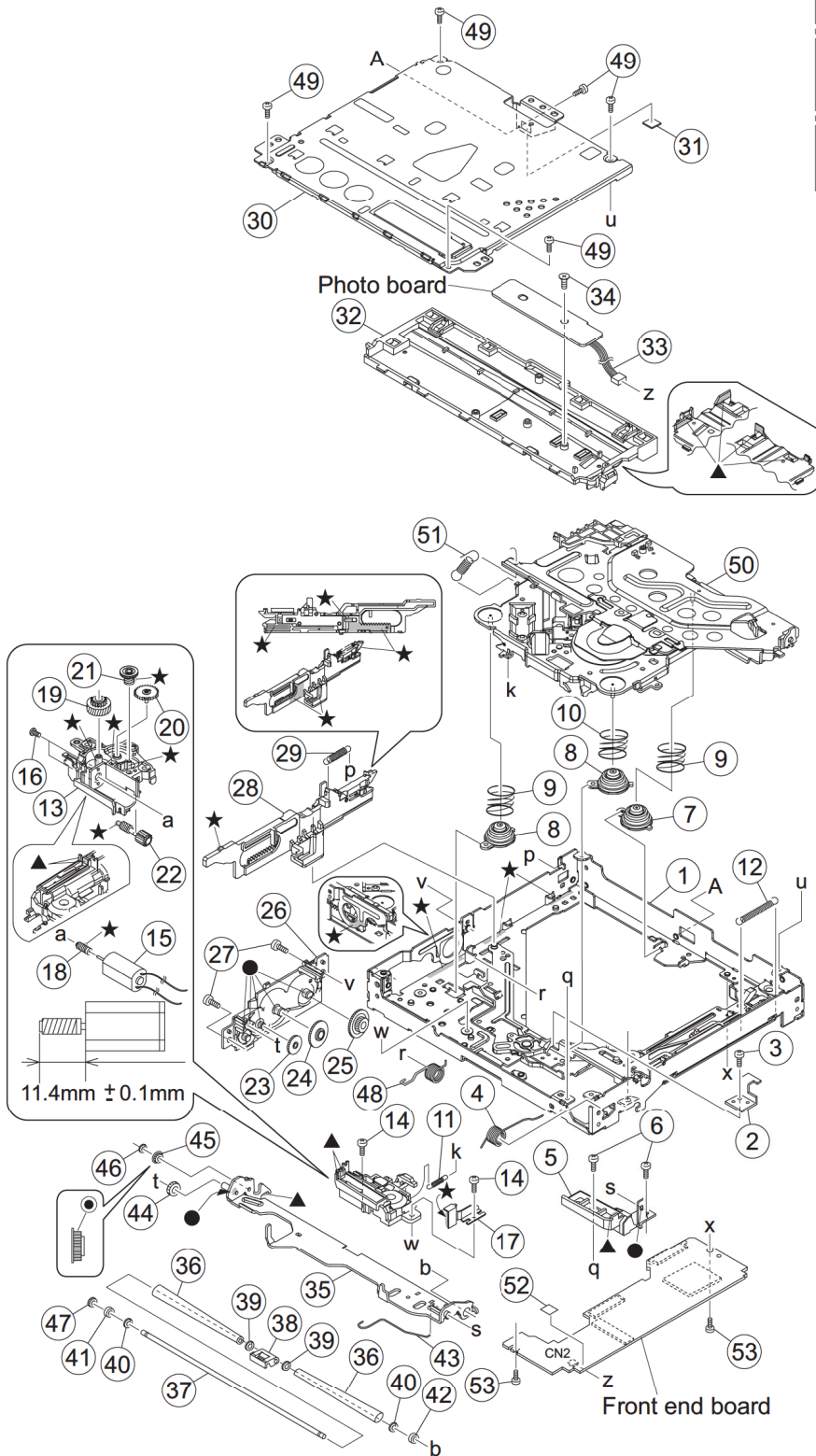


# DVD mechanism assembly and parts list

FMU-XD4-11D

Block No. M J M M

Grease	
★	=JVG-31N
◎	=JVS-1003
▲	=CFD-006ZR
●	=JC-803B
■	=1401C
△	=G332



The parts without symbol number are not service.

# Packing materials and accessories parts list

Block No. **M 3 M M**

No additional / supplemental order of WARRANTY CARDS are available.

