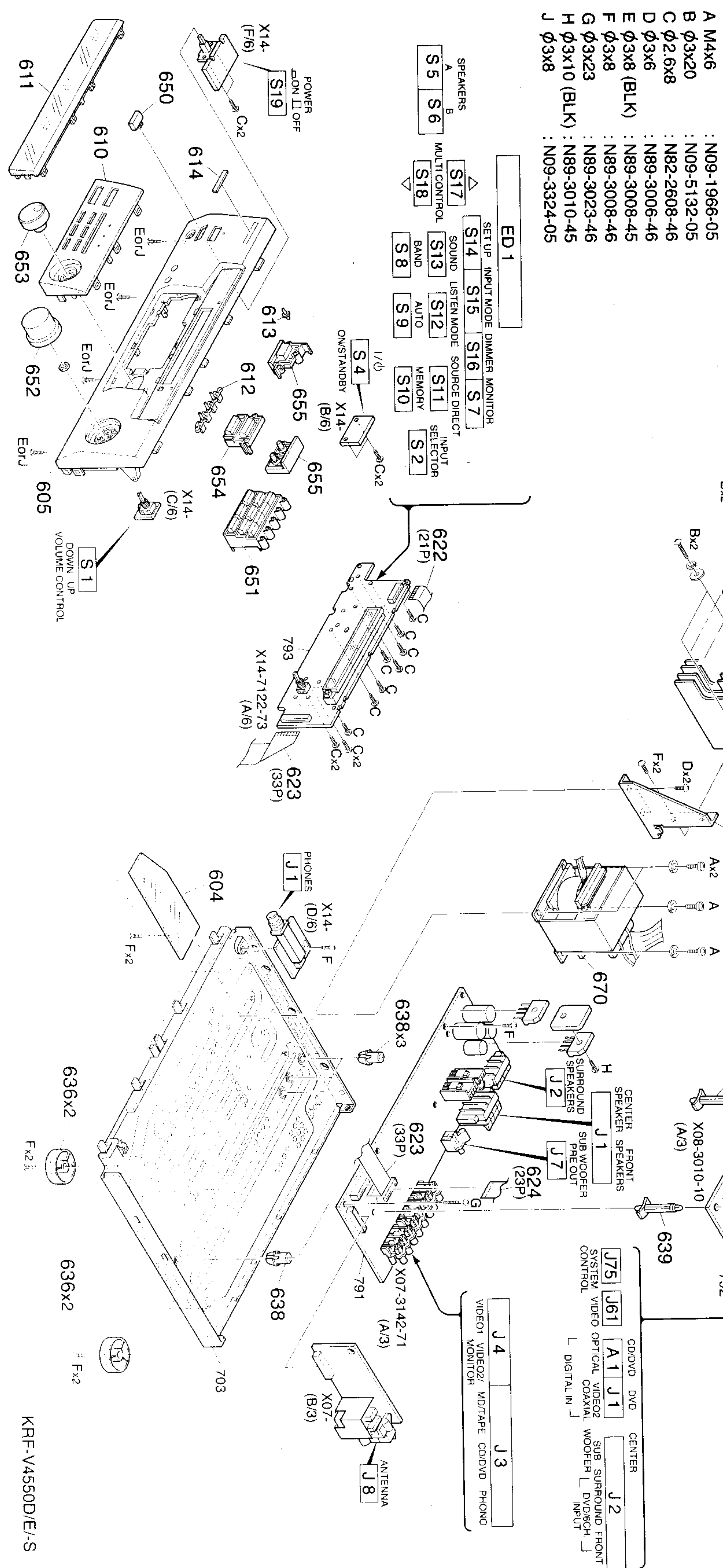
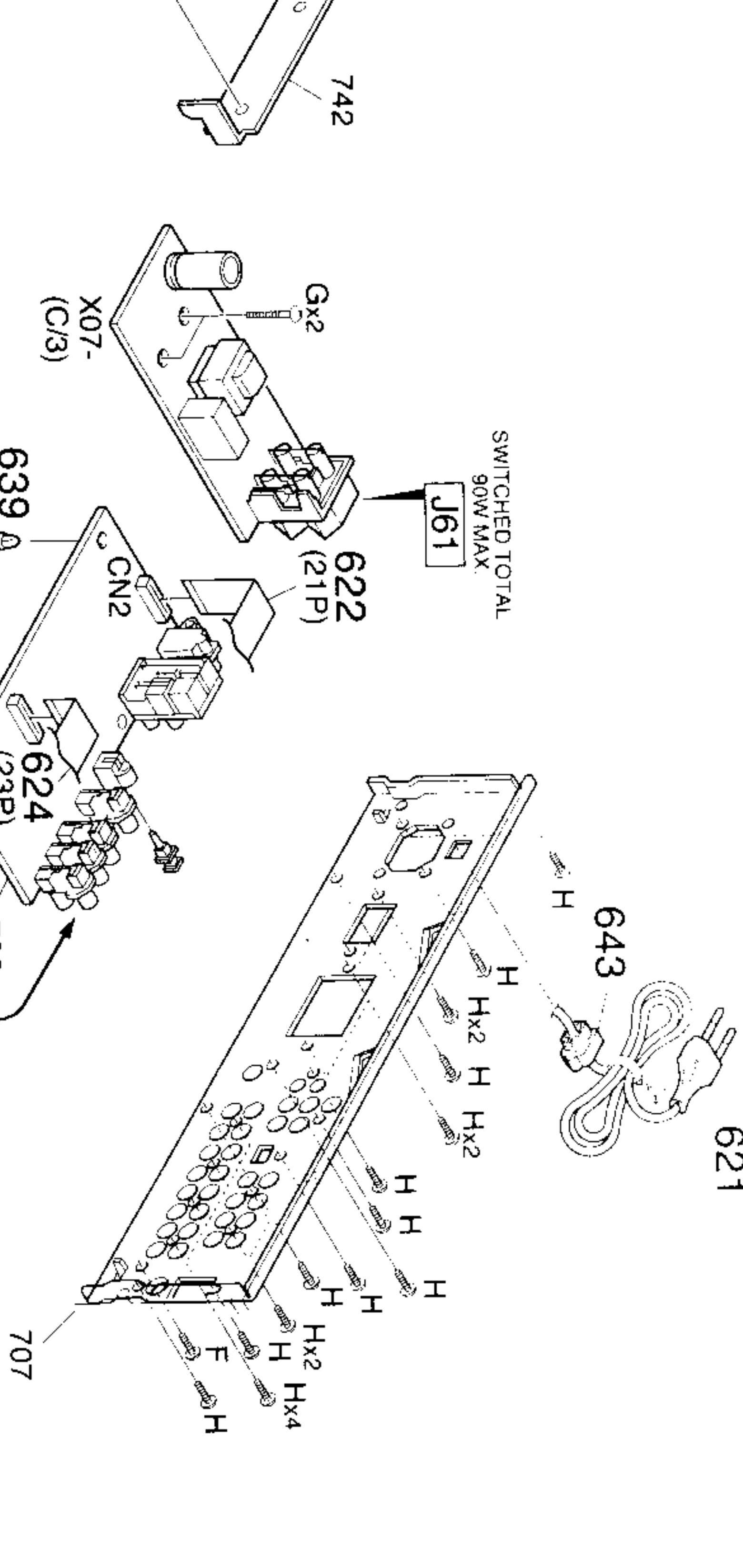
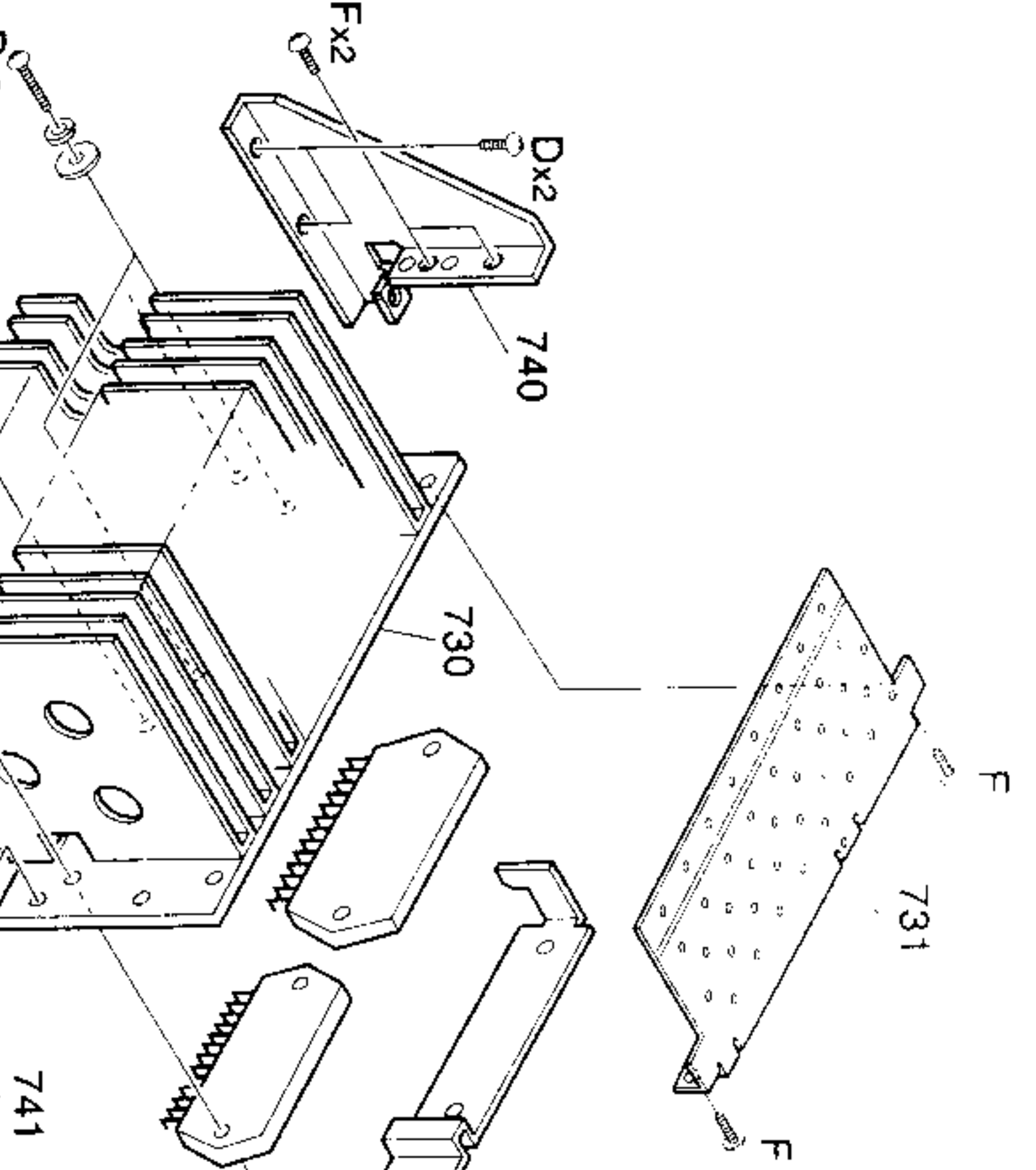


- A M4x6 : N09-1966-05
- B Ø3x20 : N09-5132-05
- C Ø2.6x8 : N82-2608-46
- D Ø3x6 : N89-3006-46
- E Ø3x8 (BLK) : N89-3008-45
- F Ø3x8 : N89-3008-46
- G Ø3x23 : N89-3023-46
- H Ø3x10 (BLK) : N89-3010-45
- J Ø3x8 : N09-3324-05



- ED 1
- SETUP INPUT MODE DIMMER MONITOR
- S14 S15 S16 S7
- SOUND LISTEN MODE SOURCE DIRECT
- S13 S12 S11 S10
- BAND AUTO MEMORY INPUT SELECTOR
- S8 S9 S2
- SPEAKERS A S5 S6 B
- MULTI CONTROL S17 S18
- ON/STANDBY X14 (B/6) S4
- I/O Cx2

- J75 J61 A1 J1 J2
- VIDEO1 VIDEO2 MDTAPE CDDVD PHONO
- VIDEO1 MONITOR
- CDDVD DVD CENTER
- SYSTEM VIDEO OPTICAL VIDEO2 SUB SURROUND FRONT
- COAXIAL WOOFFER DVD/8CH INPUT
- DIGITAL IN