

**Refer to page 2 if you want to know system configuration.

In compliance with Federal Regulations, following are reproductions of labels on, or inside the product relating to laser product safety.

Illustration is RXD-853(M).

KENWOOD-Crop. certifies this equipment conforms to DHHS Regulations No. 21 DFR 1040. 10, Chapter 1, Subchapter J.

DANGER : Laser radiation when open and interlock defeated. AVOID DIRECT EXPOSURE TO BEAM




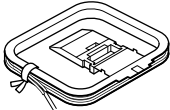
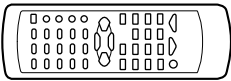
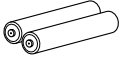
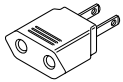

RXD-803/803E/853/853E/A83

CONTENTS / ACCESSORIES

Contents

CONTENTS / ACCESSORIES / CAUTIONS.....	2	PC BOARD	13
EXTERNAL VIEW	3	SCHEMATIC DIAGRAM	19
DISASSEMBLY FOR REPAIR	3	EXPLODED VIEW	35
BLOCK DIAGRAM	4	PARTS LIST	37
CIRCUIT DESCRIPTION	5	SPECIFICATIONS	Back cover
ADJUSTMENT	11		

Accessories

FM indoor antenna (1) (T90-0836-05) 	AM loop antenna (1) (T90-0852-05) (T90-0837-05) 	Remote control unit (1) (A70-1367-05): RC-853....KPMXY (A70-1368-05): RC-853E....TEE2 	Batteries (R6/AA) (2) 
AC plug adaptor (1) (E03-0115-05)  Use to adapt the plug on the power cord to the shape of the wall outlet. (Accessory only for regions where use is necessary.)		Battery cover (A09-1151-08) 	
Surround speaker system			
Surround speaker (2) Speaker cord (2) Speaker stabilizer (8)		Center speaker (1) Speaker cord (1) Speaker stabilizer (4)	

SYSTEM CONFIGURATION

SYSTEM	MAIN UNIT	DESTINATION	SPEAKER	SP CORD PARTS No.	SPEAKER	SP CORD PARTS No.
XD-803	RXD-803	E	LS-N523	E30-5829-08	CRS-N503	E40-5542-05
XD-803E	RXD-803E	E2	LS-N523	E30-5829-08	CRS-N503	E40-5542-05
XD-853	RXD-853	YMXTE	LS-N573	E30-5829-08	CRS-N553	E40-5542-05
XD-853E	RXD-853E	E2	LS-N573	E30-5829-08	CRS-N553	E40-5542-05
XD-853(M3)	RXD-853	M	LS-N573(M3)	E30-5829-08	CRS-N553	E40-5542-05
XD-A83	RXD-A83	KP	LS-N573	E30-5829-08	CRS-N553	E40-5542-05

Cautions

Operation to reset

The microcomputer may fall into malfunction (impossibility to operate, erroneous display, etc.) when the power cord is unplugged while power is ON or due to an external factor. In this case, execute the following procedure to reset the microcomputer and return it to normal condition.

Unplug the power cord from the power outlet then, while holding the ENTER key depressed, plug the power cord again.

(Main unit only)



- Please note that resetting the microcomputer clears the stored contents and returns to the factory set condition.

EXTERNAL VIEW

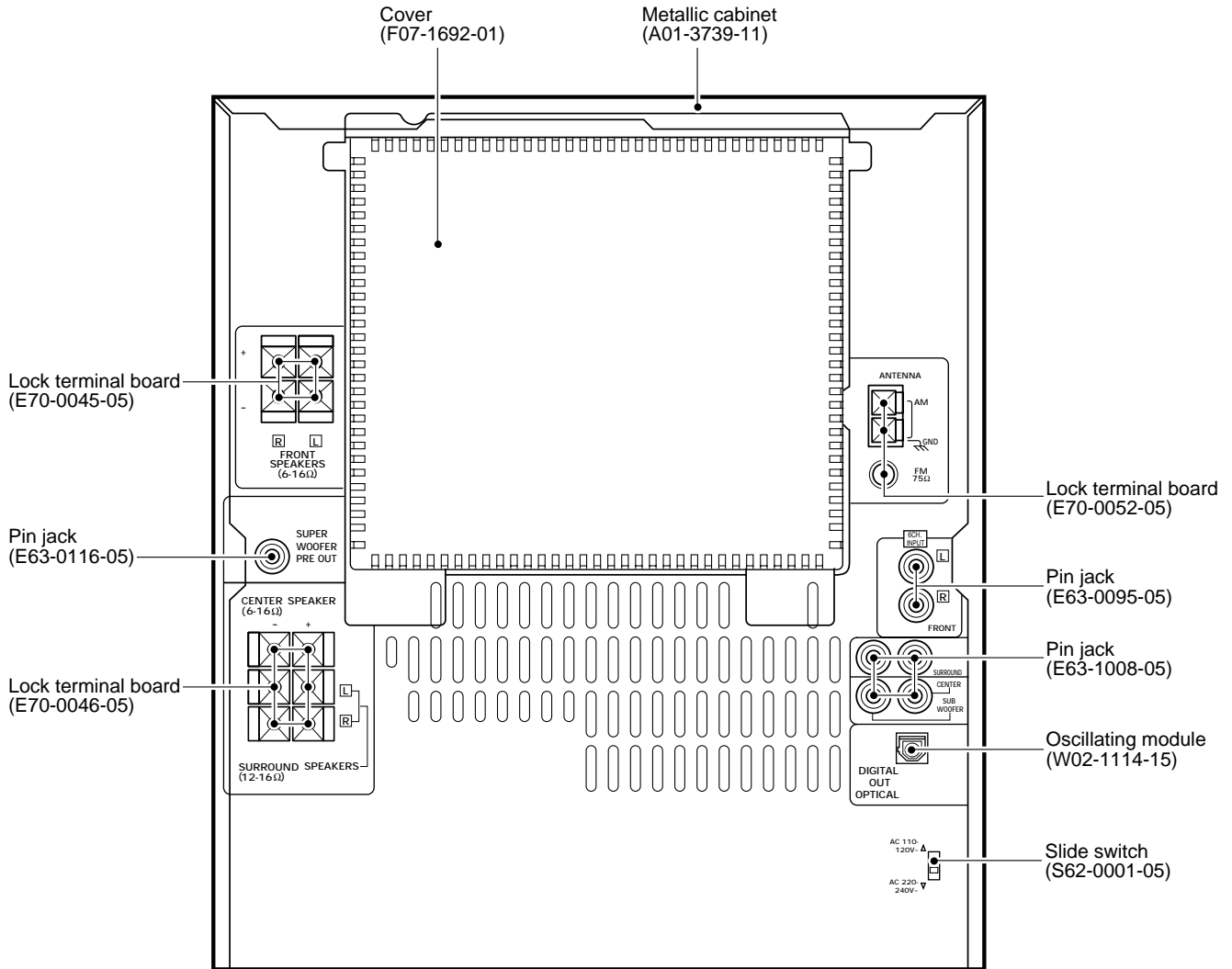
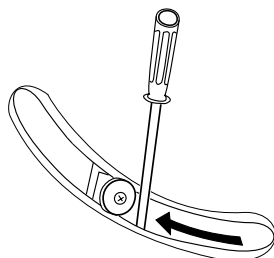


Illustration is RXD-853(M).

DISASSEMBLY FOR REPAIR

HOW to open the tray if not comes out.

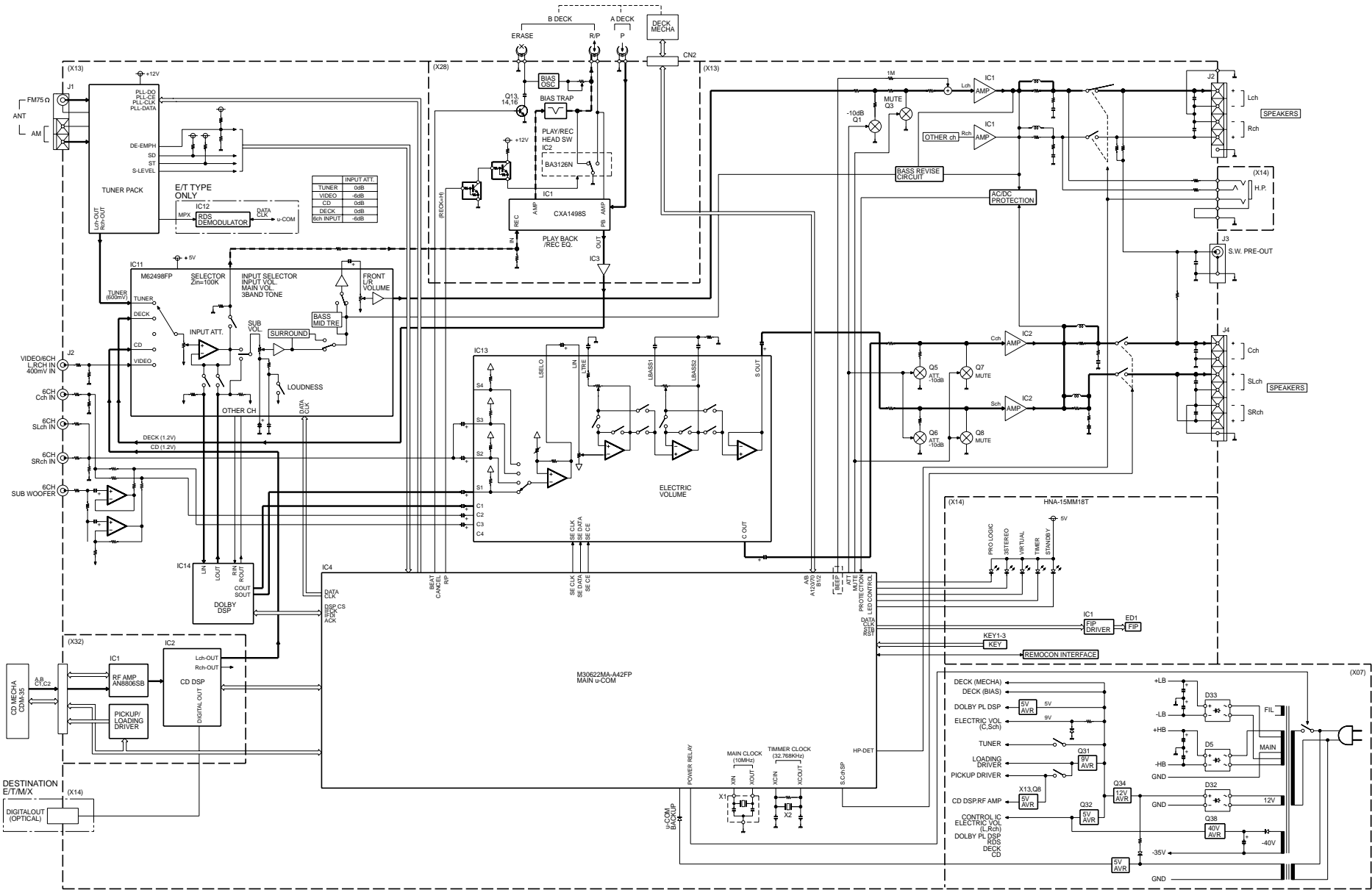
BOTTOM SIDE



- (1) Turn the friction arm counterclockwise using a screw driver and the like.
- (2) Pull out the tray frontwards by hand when the tray comes just out.

RXD-803/803E/853/853E/A83

BLOCK DIAGRAM



RXD-A83/803/803E/853/853E

CIRCUIT DESCRIPTION

1. Initialization

1-1 Setting of the Initial Conditions

While pressing the [ENTER] key, plug the AC cord into AC wall outlet.

1-2 Initializing Operation

- A Microcomputer is initialized for start when the AC power is turned on when pressing the [ENTER] key.
At that time, CD and cassette mechanisms are also initialized.
- During the initial conditions, the display shows *INITIALIZE* and after that it will be returned to standby condition.

1-3 Initial Items

(1) AMPLIFIER

- POWER ON/STANDBY STANDBY
- VOLUME 14
- BALANCE CENTER
- INPUT SELECTOR TUNER
- SOURCE DIRECT OFF
- MUTE OFF
- AUTO POWER SAVE OFF
- AUX INPUT LEVEL -1
- AUX INPUT MODE 2ch(EXCEPT E,E2,T)
- DISPLAY MODE AUTO

(2) TUNER

- BAND FM
- FREQUENCY LOWEST FREQUENCY
- AUTO/MONO AUTO
- PRESET CHANNEL -- ch

(3) CASSETTE DECK

- REVERSE MODE REVERSE
- TAPE A/B B
- TAPE DIRECTION FORWARD

(4) CLOCK

- CLOCK 0:00(E,E2,T)/12:00am(OTHER)
- Program Timer Recoding
ON TIME 0:00(E,E2,T)/12:00(OTHER)
OFF TIME 0:00(E,E2,T)/12:00(OTHER)
- Program Timer Play
ON TIME 0:00(E,E2,T)/12:00(OTHER)
OFF TIME 0:00(E,E2,T)/12:00(OTHER)
- Program on Mode OFF
- SLEEP TIMER OFF

(5) Equalizer

- Equalizer OFF
- CUSTOM EQ.1~3 FLAT
- EX. BASS ON
- DSP OFF
- SURROUND OFF

1-4 Mechanism Initialization

1-4-1 CD Mechanism

- If a mechanism error occurs "C" is indicated on the display.

1-4-2 DECK mechanism

- When the initial condition becomes NG for the third time,decide the error.
The error condition is displayed as "X" on the display.

1-4-3 Error display

- If both mechanism (CD/DECK) error occur, the display is indicated as follows.
- C] X] ERR]

2. Destination List of Tuner

Set	Type	BAND	Receiving Frequency Range	Channel Space	I F	RF
K, P	K1	FM	87.5MHz ~ 108.0MHz	100kHz	+10.7MHz	25kHz
		AM	530kHz ~ 1700 kHz	10kHz	+450 kHz	10kHz
M, Y	K2	FM	87.5MHz ~ 108.0MHz	100kHz	+10.7MHz	25kHz
		AM	530kHz ~ 1610kHz	10kHz	+450 kHz	10kHz
M, Y, X	E1	FM	87.5MHz ~ 108.0MHz	50kHz	+10.7MHz	25kHz
		AM	531kHz ~ 1602kHz	9kHz	+450 kHz	9kHz
E, E2	E1 RDS	FM	87.5MHz ~ 108.0MHz	50kHz	+10.7MHz	25kHz
		AM	531kHz ~ 1602kHz	9kHz	+450 kHz	9kHz
T	E2 RDS	FM	87.5MHz ~ 108.0MHz	50kHz	+10.7MHz	25kHz
		MW	531kHz ~ 1602kHz	9kHz	+450 kHz	9kHz
		LW	153kHz ~ 279 kHz	9kHz	+450 kHz	9kHz

RXD-803/803E/853/853E/A83

CIRCUIT DESCRIPTION

3. Test Mode

3-1 Setting of the Test Mode

AUX MODE	AUX key+AC-ON
TUNER MODE	TUNER(BAND) key+AC-ON
TAPE MODE	TAPE A(< >) key+AC-ON
CD MODE	DISC3 key+AC-ON
SUB CLOCK OSC DIAGNOSIS	MENU key+AC-ON The oscillation diagnosis(existence of oscillation and measurement of period) of a sub clock is performed before the test mode is entered. If the diagnosis result is OK, the system enters the test mode. If the diagnosis result is NG, the oscillation of the sub clock is diagnosed again. If the result is OK, the system enters the test mode. If the diagnosis result is continuously NG 5 times, the system stops with "ERR1" and "ERR2" displayed.

3-2 Cancel of the test mode

By turning the power off, the system is initialized and the test mode is canceled.

3-3 Contents of the Test Mode

3-3-1 Tuner Test mode

KEY	DISPLAY	OPERATION
SELECT	Normal indication	→10 → 20 → 30 → 00 (- -)→
MENU	Normal indication	AUTO • STEREO ↑ MANUAL • MONO ↓
BACK SOUND CONTROL	Normal indication	TUNING DOWN TUNING UP
TUNING MODE ENTER	Normal indication	P. ch DOWN P. ch UP
DISPLAY/DEMO		FL indication ON ↔ FL indication OFF
CD OPEN/CLOSE	50Hz ↓ ↑ 100Hz	50Hz/50μ ↔ 100Hz/75μ

3-3-2 Aux Test Mode

KEY	DISPLAY	OPERATION
DISC 1	Tone] MAX]]] Tone] MIN]]] Tone] CENTE	→ MAX → MIN → CENTER →
DISC 2	Normal indication	AUX LEVEL MAX ↔ AUX LEVEL MIN
DISC 3	Normal indication	→ Lch MAX → Rch MAX → CENTER →
EX.BASS	Normal indication	EX. BASS ON ↔ EX. BASS OFF

3-3-3 Deck Test Mode

KEY	DISPLAY	OPERATION
REC/ARM	Normal display	If the REC/ARM key is pressed, the system record for 4 seconds. Then, it rewinds to the REC starting position and plays back automatically. If the REC/ARM key is pressed, during the 4 seconds REC operation, the system records further for 4 seconds, then returns to the starting position of the first 4 seconds REC operation and plays back.

* Mechanism SW Detection

HALF SW	DISPLAY	HALF SW	DISPLAY
A PACK SW	"T" (The first dot)	A CrO2 SW	"A" (The second dot)
B PACK SW	"P" (The third dot)	B RVS REC SW	"E" (The forth dot)
B FWD SW	"T" (The sixth dot)	B CrO2 SW	"E" (The seventh dot)
A PLAY SW	"Moon" (Segment)	B PLAY SW	Sun(Segment)

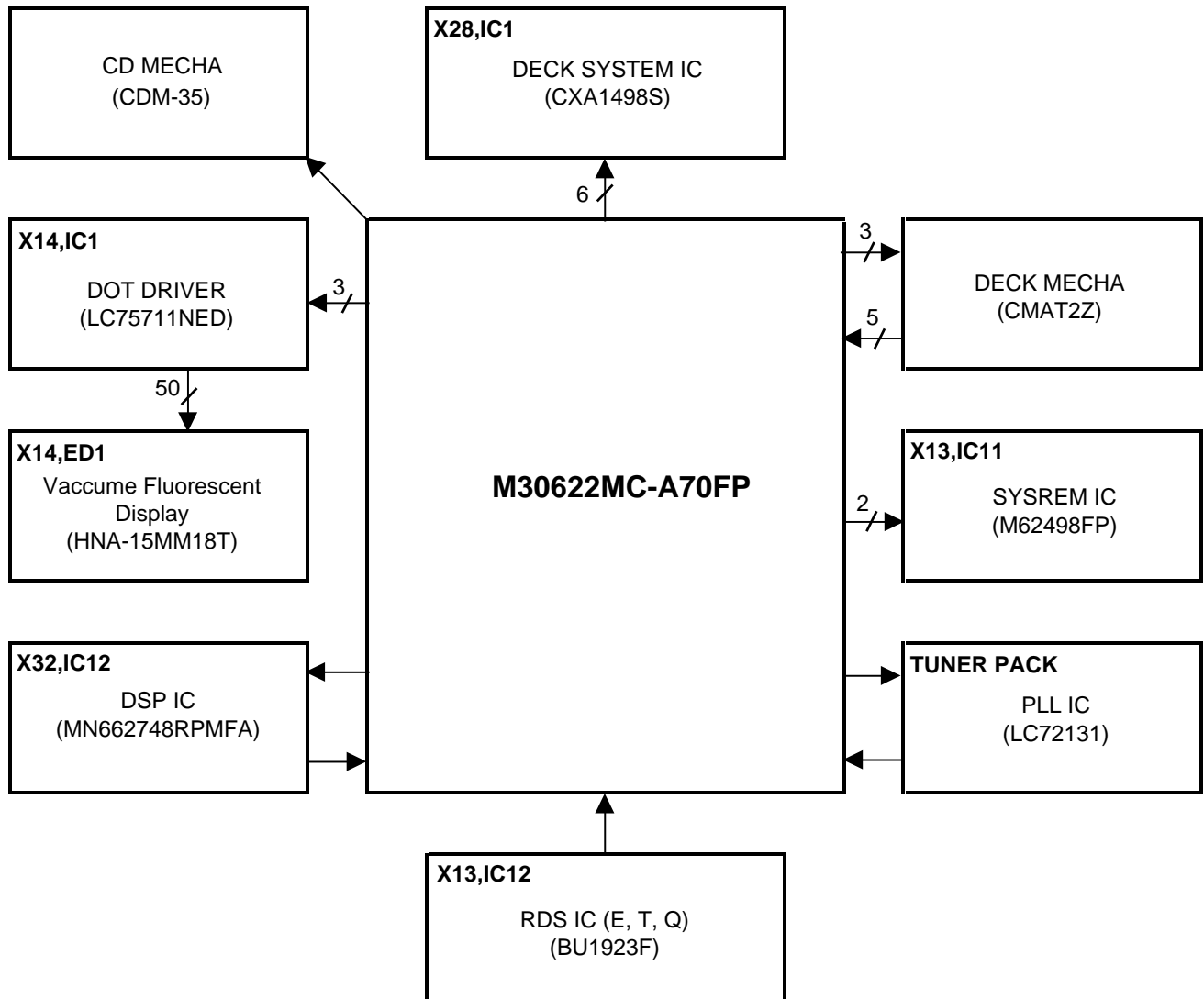
CIRCUIT DESCRIPTION

3-3-4 CD Test Mode

KEY	DISPLAY	OPERATION
CD-PLAY/PAUSE (Change the mode alternately by the stop key.)	05 *:*:* (** : **)	Tracking-servo on.
	03 ---:---	Tracking-servo off.
DISC 1 (Cyclically changed in the stop mode only.)	01 ---:---	STOP
	07 **/***	Adjustment value/mean value
	08 **/***	TB value FB value
STOP	01 ---:---	TO value FO value
		Stop (Press it 1time.) Cancel the test mode. (Press it 2 times.)
TAPE EQ	Ex. 01~02	CD track no. up.
TAPE EQ (Press it more than 400msec.)	—	CD FF search. The pickup travels outward.
REVERSE MODE	Ex. 02~01	CD track no. down.
REVERSE MODE (Press it more than 400msec.)	—	CD FB search. The pickup travels inward.

4. Microprocessor : M30622MC-A70FP(X13,IC4)

4-1 Microprocessor periphery block diagram



RXD-803/803E/853/853E/A83

CIRCUIT DESCRIPTION

4-2 Key Matrix

Input Voltage (V)	KEY1 Pin97	KEY2 Pin95	KEY3 Pin94
0.00~0.26	POWER	EX. BASS	REV. MODE
0.27~0.81	DISPLAY/DEMO	KEY OFF	REC
0.82~1.37	TUNING MODE	CD PLAY/ PAUSE	TAPE EQ.
1.38~1.94	MENU	BAND	OPEN/CLOSE
1.95~2.51	SOUND	TAPE B	DISC SKIP
2.52~3.07	BACK	TAPE A	DISC 3
3.08~3.62	SELECT	AUX	DISC 2
3.63~4.16	ENTER	STOP	DISC 1
4.17~4.73	—	—	—
4.73~5.00	KEY OFF	KEY OFF	KEY OFF

4-3 Pin Description of Microprocessor

Pin No.	Pin Name	I/O	Description	ACTIVE	
				H	L
1	SLEVEL	I	RDS signal level input.		
2	CE2	I	Backup detection input 2.	AC ON	AC OFF
3	SD	I	SD detection input.		
4	ST	I	Stereo detection input.		
5	PLL CE	O	PLL IC & E. volume chip enable.		
6	RDS DATA	I	RDS data input.		
7	PLL CLK	O	PLL IC & E. volume clock output.		
8	BYTE	-	GND.		
9	CNVSS	-	GND.		
10	XCIN	I	Timer clock input(32.768kHz).		
11	XCOU	O	Timer clock output(32.768kHz).		
12	RST	I	Reset signal input.	NORMAL	RESET
13	X OUT	O	Main clock output(10MHz).		
14	VSS	-	GND.		
15	X IN	I	Main clock input(10MHz).		
16	VCC(BU)	-	u-com power supply(+5.0V).		
17	NMI	-	Connected to VCC.		
18	REM	I	Signal input of remote control.		
19	RDS CLK	I	RDS clock input.		
20	BLKCK	I	Sub code synchronous signal input. L→H Interrupt		
21	CE	I	Back up detection input.	AC ON	AC OFF
22	BEEP SOUND	O	Beep sound output.		
23	PLL DO	I	PLL IC data input.		
24	CS RELAY	O	Relay control port for center and surround speakers.	ON	OFF
25	D XRESET	O	DSP reset port.		RESET
26	DXLAT	O	DSP latch output.		
27	AMUTE	O	Control port of audio muting.		
28	MCLK	O	CD DSP command clock signal output.		
29	STAT	I	CD DSP status signal input.		
30	MDATA	O	CD DSP command data output.		
31	FL DATA	O	Data output to VFD dot driver.		
32	HPDET	I	Detection port of headphones.	NORMAL	H/P IN
33	FL CLK	O	Clock output to VFD dot driver.		
34	FL CE	O	Chip enable output toVFD dot driver.		
35	D DATA	O	DSP data output.		
36	D READY	I	DSP ready signal input.		
37	D.SCK	O	DSP clock output port.		
38	SOLB	O	B deck solenoid control.	ON	OFF
39	CPM	O	Capstan control port for deck.	ON	OFF
40	SOLA	O	A deck solenoid control.	ON	OFF

RXD-803/803E/853/853E/A83

CIRCUIT DESCRIPTION

Pin No.	Pin Name	I/O	Description	ACTIVE	
				H	L
41	EX CLK15	O	Clock output to expander IC(X13,IC15).		
42	PS LOAD	O	Control port of shift/load for expander IC(X13,IC15).	SHIFT	LOAD
43	PS IN	O	Data input from expander IC(X13,IC15).		
44	EX CLK16	O	Clock output to expander IC(X13,IC16).		
45	EX DATA	O	Data output to expander IC(X13,IC16).		
46	ATT	O	-10dB attenuation output.	OFF	ON
47	FL RST	O	Reset signal output to VFD dot driver.		RESET
48	LED PRO	O	LED output for prologic.	OFF	ON
49	LED 3ST	O	LED output for 3 stereo.	OFF	ON
50	LED VIR	O	LED output for virtual.	OFF	ON
51	M CONT B	I	Multi control jog input .		
52	M CONT A	I	Multi control jog input .		
53	VOL B	I	Volume encoder input .		
54	VOL A	I	Volume encoder input .		
55	LED STBY	O	Control port of standby LED.	OFF	ON
56	LED TIMER	O	Control port of timer LED.	OFF	ON
57	NC	-	Unused.		
58	OPEN SW	I	CD open detection switch input.		
59	CLOSE SW	I	CD close detection switch input.		
60	TD SW	I	Traverse down switch input port of CD mechanism.		
61	TU SW	I	Traverse up switch input port of CD mechanism.		
62	VCC(BU)	-	u-com power supply(+5.0V).		
63	OPEN	O	CD motor control output.		
64	VSS	-	GND.		
65	CLOSE	O	CD motor control output.		
66	BRKM	O	CD motor control output.		
67	RTL	O	Rotary motor opposite direction(CCW) output.		
68	RTR	O	Rotary motor positive direction(CW) output.		
69	DC OFF	O	Power control of CD DSP IC.	ON	OFF
70	CD PROT	I	CD protection input(Only at selector CD).	NORMAL	PRO. ON
71	SLT SW	I	CD start limit switch input.		
72	MLD	O	CD DSP command load signal output.		
73	SQCK	O	CD sub code clock output.		
74	SUBQ	I	CD sub code input.		
75	D MUTE	O	CD DSP muting output.		
76	XRST	O	CD DSP IC reset control.		RESET
77	PHTR	I	CD mecha. Stop switch input.		
78	PS SW	I	Tray position & disc detector switch input port of CD mechanism.		
79	TU ON/OFF	O	Tuner power on/off output.		
80	REC/PLAY	O	Deck recording/playback control.	RECORDING	PLAYBACK
81	BIAS	O	Deck bias control.	OFF	ON
82	POWER	O	Power relay control.		
83	RELAY	O	Control port of speaker relay.		
84	EV CLK	O	Clock output to E..volume.		
85	EV DATA	O	Data output to E..volume data output.		
86	EMPHASIS	O	Tuner emphasis output.		
87	EPROM DATA	I/O	Expander ROM data input/output.		
88	EPROM CLK	O	Expander ROM clock output.		
89	PROTECT	I	Detection port of protection.		
90	SPEANA	I	Input port of music signal.		
91	TYPE	I	Discrimination of tuner destination.		
92	BPH	I	B deck reel sensor input.		
93	APH	I	A deck reel sensor input.		
94,95	KEY3,KEY2	I	A/D key input(key3,key2).		
96	AVSS	-	GND.		
97	KEY1	I	A/D key input(key1).		
98	VREF	-	A/D reference voltage input.		
99	AVCC(BU)	-	u-com power supply(+5.0V).		
100	PLL DATA	O	PLL IC & E..volume data output.		

RXD-803/803E/853/853E/A83

CIRCUIT DESCRIPTION

4-4 Description of expander IC

TC74HC166AP(X13,IC15)

Pin No.	Pin Name	I/O	Description		
1	SI	I	NO USED		
2	A-PLAY	I	A DECK Head Position Detection Switch Input	H = OFF	L = ON
3	B-PACK	I	B DECK Cassette Tape Detection Switch Input	L = ON	H = OFF
4	R-REC	I	B DECK Reverse Recording prohibition Detection Switch Input	H = prohibit	L = permit
5	B-PLAY	I	B DECK Head Position Detection Switch Input	L = ON	H = OFF
6	CK INH	I	NO USED		
7	PSCLK	I	CLOCK INPUT		
8	GND	-	GND		
9	CLR	I	CONNECTED TO VDD		
10	A-CrO2	I	A DECK CrO2 Detection Switch Input	H = CrO2	L = Normal
11	B-CrO2	I	B DECK CrO2 Detection Switch Input	H = CrO2	L = Normal
12	F-REC	I	B DECK Forward Recording prohibition Detection Switch Input	H = prohibit	L = permit
13	PSDATA	O	DATA OUTPUT		
14	A-PACK	I	A DECK Cassette Tape Detection Switch Input	L = ON	H = OFF
15	PSLOAD	I	SHIFT/LOAD CONTROL		
16	Vdd	-	VDD		

BU2090F(X13,IC16)

Pin No.	Pin Name	I/O	Description		
1	Vss	-	GND		
2	DATA	I	DATA INPUT TERMINAL		
3	CLK	I	CLOCK INPUT		
4	BIAS	O	NC		
5	NOR	O	DECK Normal/CrO2 Changeover Control	H=Normal	L=CrO2
6	B SOL	O	NC		
7	A SOL	O	NC		
8	CPM	O	NC		
9	LMUTE	O	DECK Line Mute Control	H= MUTE OFF	L= MUTE ON
10	B-EQ	O	B DECK Play Back Equalizer Control		
11	R MUTE	O	DECK Recording Mute Control		
12	A-EQ	O	A DECK Play Back Equalizer Control		
13	A/B	O	DECK A/B Changeover Control	L=A DECK	H=B DECK
14	R/P	O	NC		
15	BEAT.C	O	DECK Beat Cancel On/Off Changeover Control	H= ON	L= OFF
16	Vdd	-	POWER SUPPLY(+5V)		

ADJUSTMENT

CD player adjustment

No.	ITEM	INPUT SETTINGS	OUTPUT SETTINGS	PLAYER SETTINGS	ALIGNMENT POINTS	ALIGN FOR	FIG.
1. While pressing the "DISC 3" key, turn the power on to enter the test mode. 2. Load a disc on disc 1 tray.							
1	LASER CURRENT CHECK	Test disc Type 4	Connect the DC voltmeter to CN6(pin1 and 2) on X32.	Press the PLAY/PAUSE key, then confirm that the display is 03 or 05.	-	0.5±0.2V	

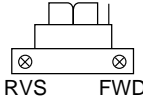
Note:

Type 4 disc : SONY YEDS-18 Test Disc or equivalent.

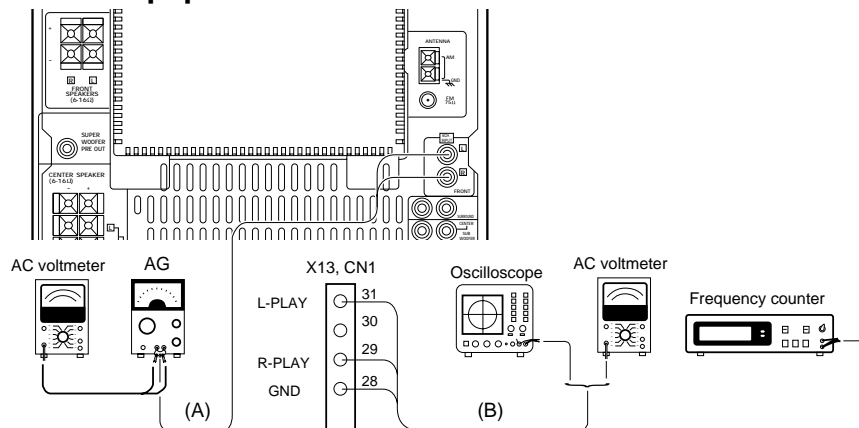
LPF: Around 47 kΩ+ 390 pF or so.

Step 1~4 are in Test Mode.

Cassette Deck adjustment

NO.	ITEM	INPUT SETTING	OUTPUT SETTING	CASSETTE TAPE DECK SETTING	ALIGNMENT POINTS	ALIGN FOR	FIG.
I Cassette mechanism unit (Adjustment of the REC / PLAY head)						0dBs = 0.775V	
(1)	Demagnetization and cleaning			Power : OFF Demagnetization, cleaning, PLAY	Recording head, erase head, capstan pinch roller	Demagnetize the REC / PLAY head with the head eraser. Clean the REC / PLAY head, erase head, capstan and pinch roller using a cotton swab slightly damped with alcohol.	
(2)	Azimuth of the REC / PLAY head	SCC-1727 TCC-153 MTT-114 10kHz, -10dB	(B)	PLAY		Adjust the output to maximum and adjust the azimuth adjustment screw for the Lissajours waveform pattern of the oscilloscope to become close to a 45° straight line.	
II PC BOARD ADJUSTMENT							
(1)	TAPE SPEED (NORMAL)	TCC-110 MTT-111 SCC-1727 3kHz	(B)	PLAY	VR5	Adjust the tape speed so that 3kHz is obtained at the center of the tape.	
III PC board adjustment.							
(1)	PLAYBACK LEVEL	MTT-150 400Hz	(B)	PLAY	VR 3 (L) VR 4 (R)	Adjust the playback output to -2.5dBs.	
		MTT-256, SCC-1727 315Hz				Adjust the playback output to -5.5dBs.	
		MTT-256U, TCC-120 315 Hz				Adjust the playback output to -1.5dBs.	
(2)	BIAS CURRENT	(A) Adjust the AG for the output of the DECK to become 12.5kHz -20dBs. 400Hz/12.5kHz (AC-224)	(B)	REC PLAY	VR 1 (L) VR 2 (R)	Record 400Hz and 12.5kHz alternately, and adjust the bias current adjustment potentiometer for the playback levels to become the same.	

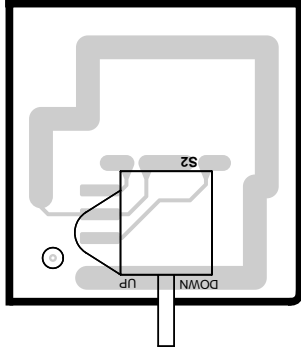
Measurement Equipment Connections



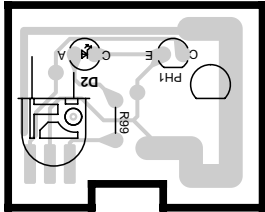
PC BOARD (Component side view)

X32-3800-10 A/4 (J70-1386-12)

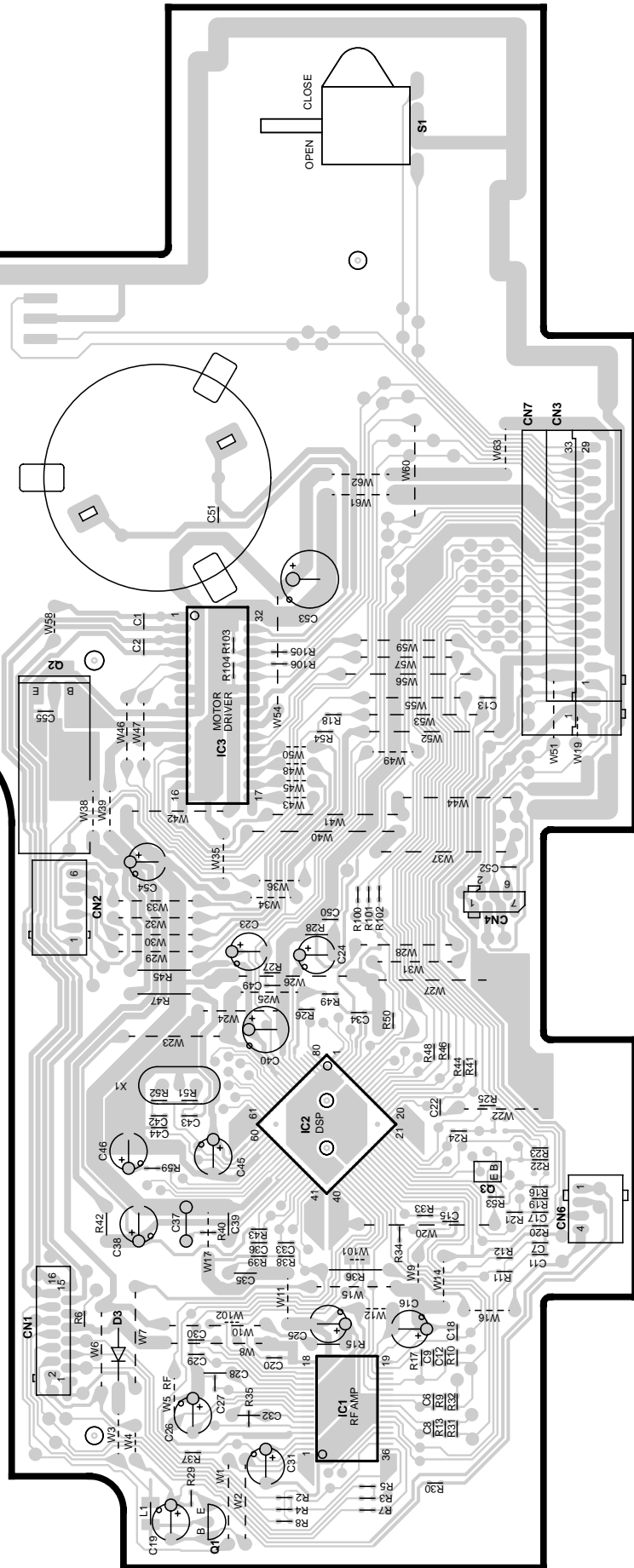
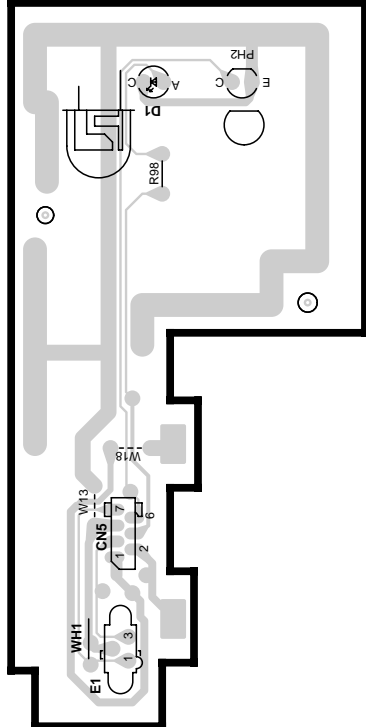
X32 D/4



X32 C/4



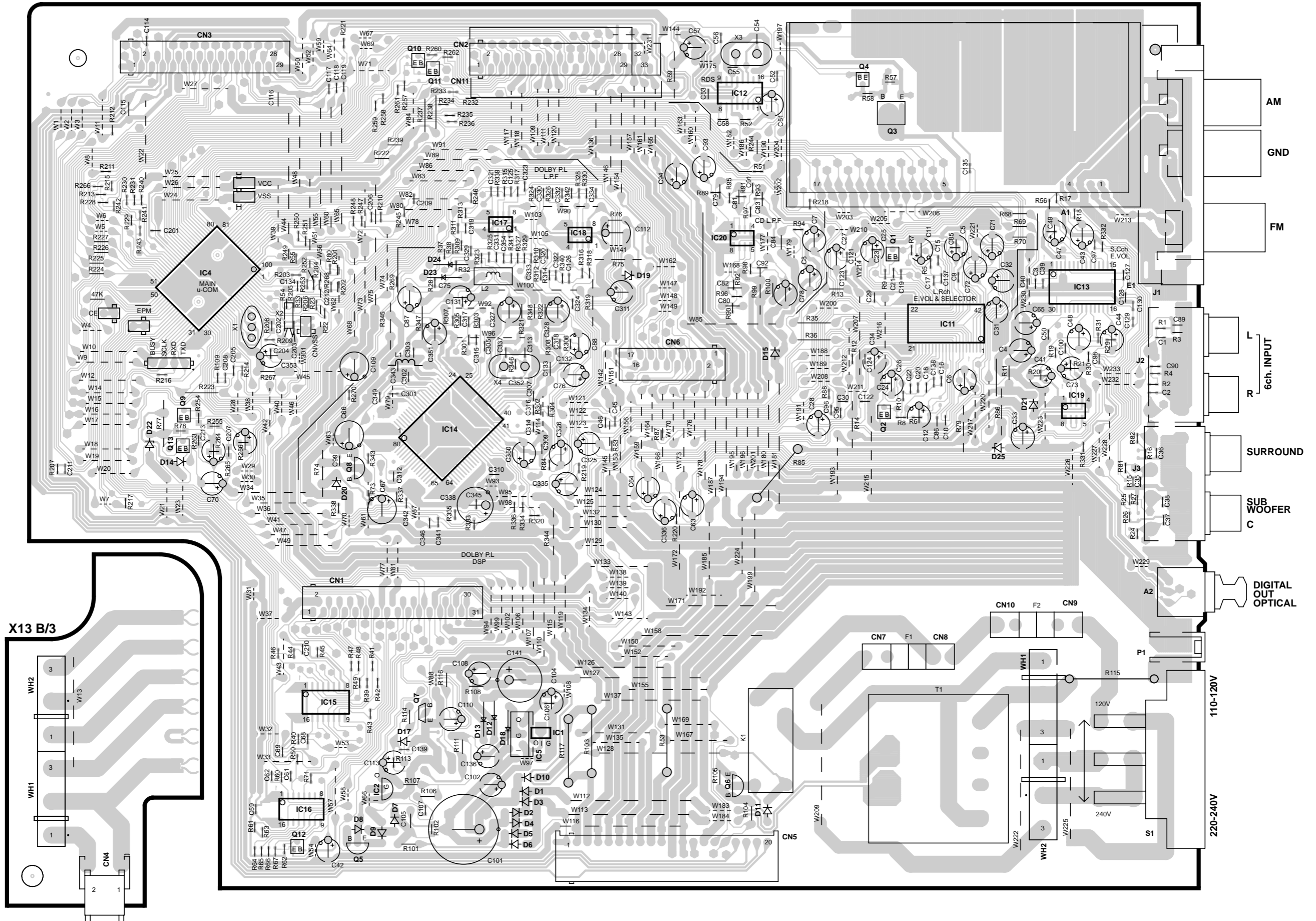
X32 B/4



Refer to the schematic diagram for the value of resistors and capacitors.

PC BOARD (Component side view)

X13-7730-10 A/3 (J70-1408-11)

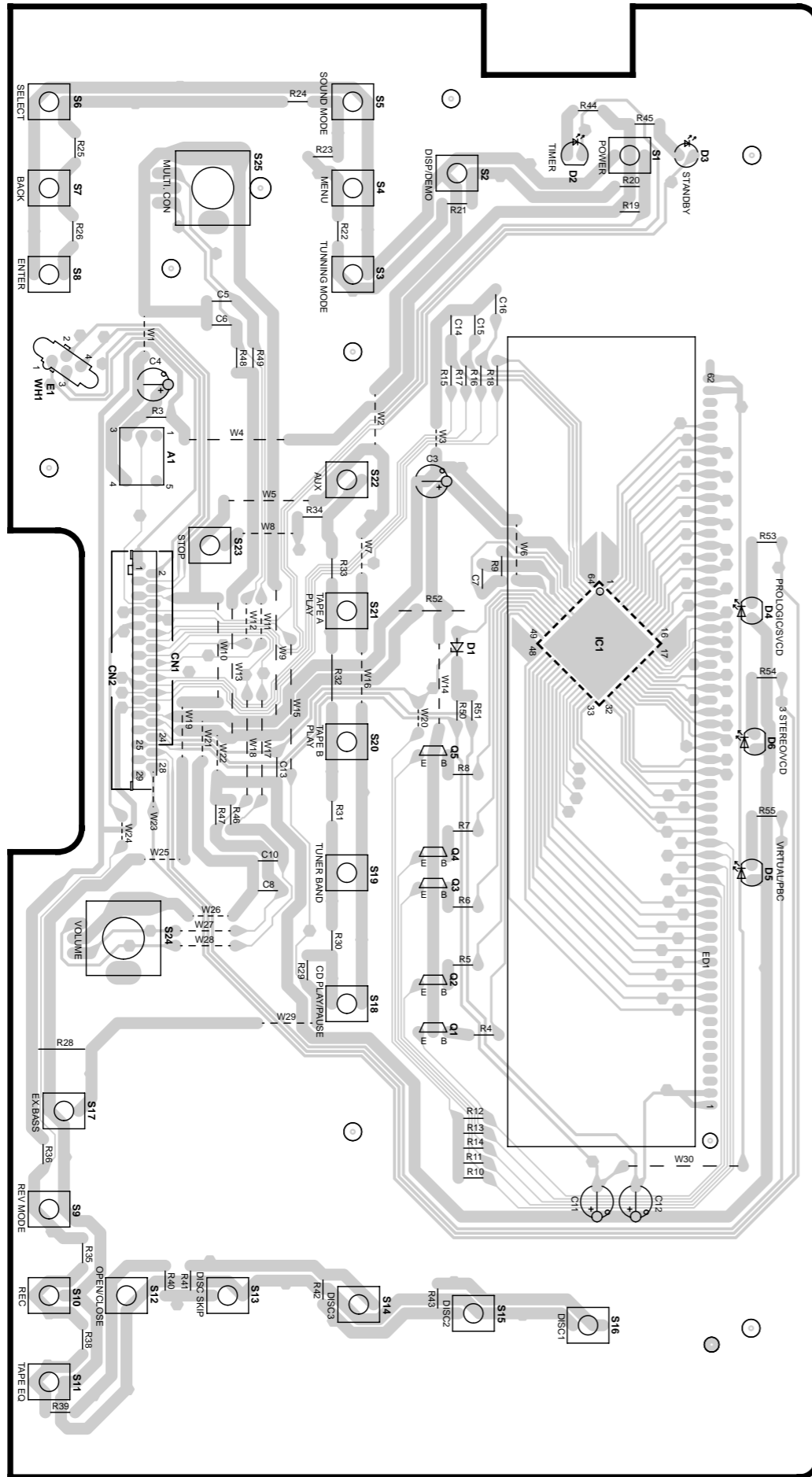
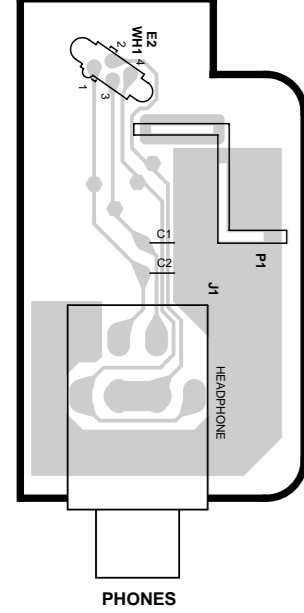


Refer to the schematic diagram for the value of resistors and capacitors.

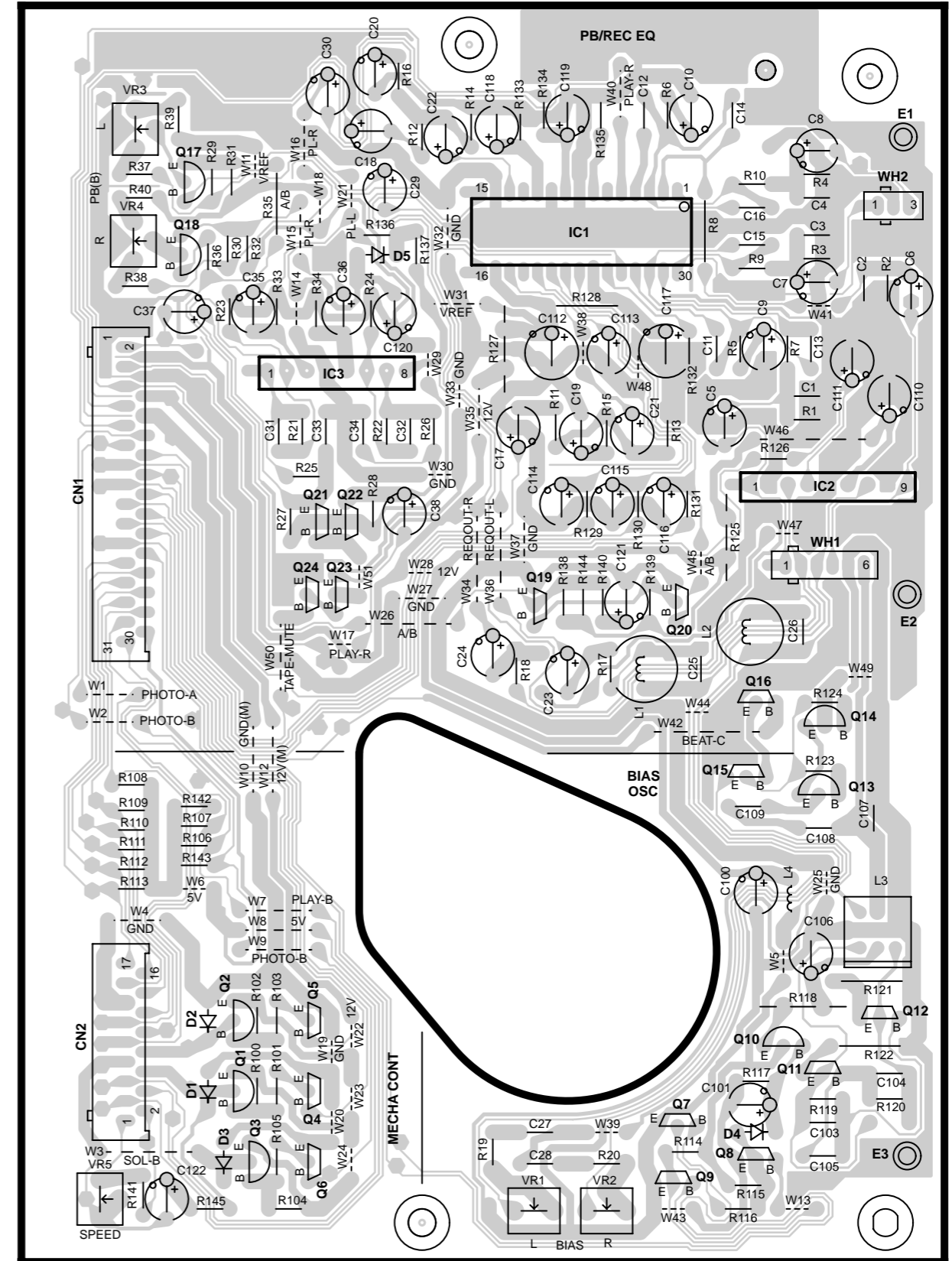
PC BOARD (Component side view)

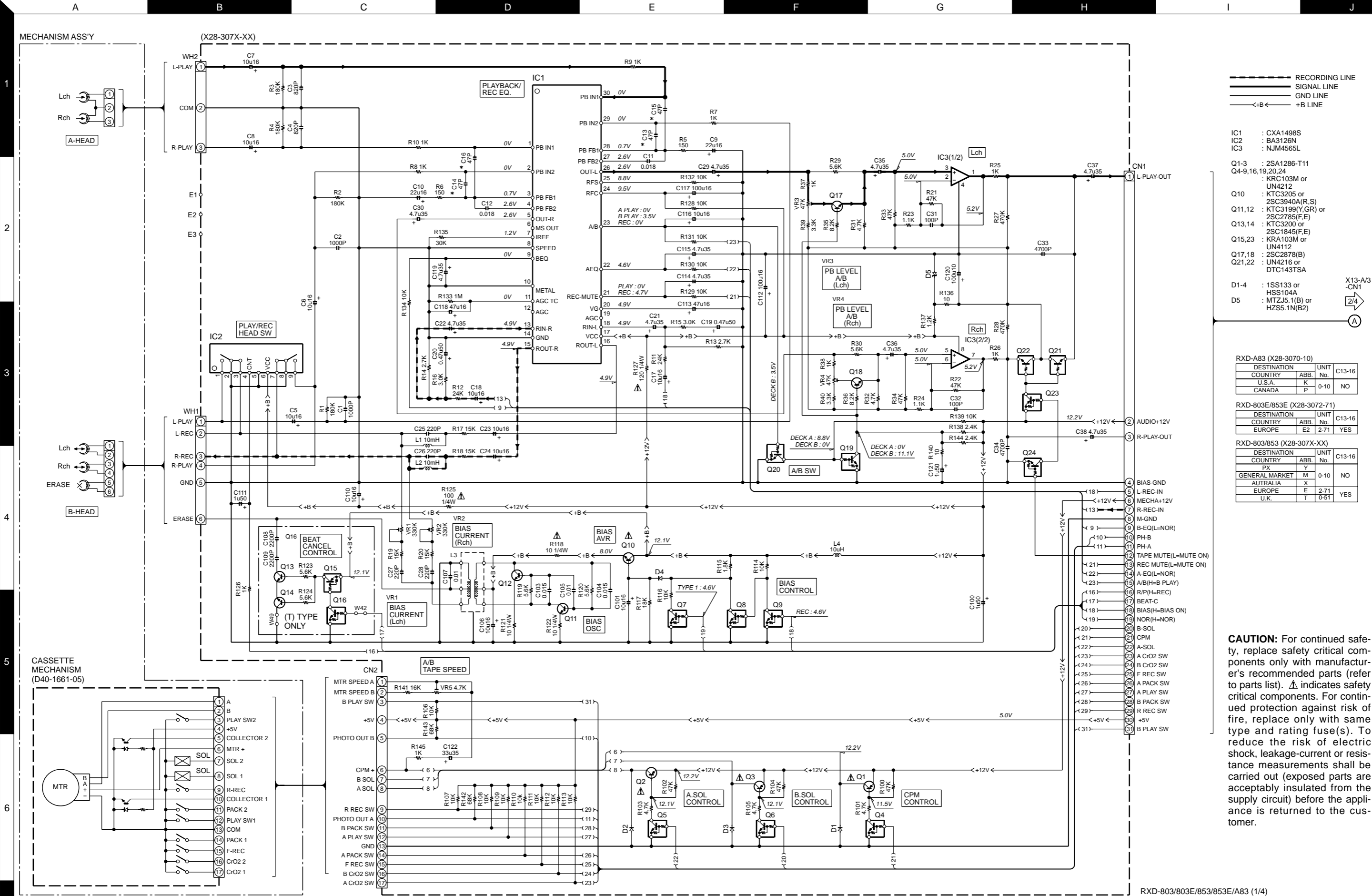
X14-7190-10 A/2 (J70-1433-02)

X14 B/2



X28-3070-10 (J70-1434-12)





- RECORDING LINE
 --- SIGNAL LINE
 --- GND LINE
 --- +B LINE
- IC1 : CX1498S
 IC2 : BA3126N
 IC3 : NJM4565L
- Q1-3 : 2SA1286-T11
 Q4-9,16,19,20,24 : KRC103M or UN4212
 Q10 : KT3205 or 2SC3940A(R,S)
 Q11,12 : KTC3199(Y,GR) or 2SC2785(F,E)
 Q13,14 : KTC3200 or 2SC1845(F,E)
 Q15,23 : KRA103M or UN4112
 Q17,18 : 2SC2878(B)
 Q21,22 : UN4216 or DTC143TSA
- D1-4 : 1SS133 or HSS104A
 D5 : MTZJ5.1(B) or HZSJ5.1N(B2)

RXD-A83 (X28-3070-10)

DESTINATION	ABB.	UNIT No.	C13-16
COUNTRY			
U.S.A.	K	0-10	NO
CANADA	P		

RXD-803E/853E (X28-3072-71)

DESTINATION	ABB.	UNIT No.	C13-16
COUNTRY			
EUROPE	E	2-71	YES

RXD-803/853 (X28-307X-XX)

DESTINATION	ABB.	UNIT No.	C13-16
COUNTRY			
PX	Y	0-10	NO
GENERAL MARKET	M		
AUTRALIA	X		
EUROPE	E	2-71	YES
U.K.	T	0-51	YES

CAUTION: For continued safety, replace safety critical components only with manufacturer's recommended parts (refer to parts list). Δ indicates safety critical components. For continued protection against risk of fire, replace only with same type and rating fuse(s). To reduce the risk of electric shock, leakage-current or resistance measurements shall be carried out (exposed parts are acceptably insulated from the supply circuit) before the appliance is returned to the customer.

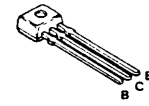
The DC voltage is an actual reading measured with a high impedance type voltmeter with a cassette loaded at playback mode. The measurement value may vary depending on the measuring instruments used or on the product. Bias circuit DC voltage is measured while in the record mode.

DOLBY and the double-D symbol are trademarks of Dolby Laboratories Licensing Corporation. Noise reduction circuit made under license from Dolby Laboratories Licensing Corporation.

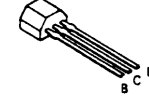
CAUTION: For continued safety, replace safety critical components only with manufacturer's recommended parts (refer to parts list). Δ indicates safety critical components. For continued protection against risk of fire, replace only with same type and rating fuse(s). To reduce the risk of electric shock, leakage-current or resistance measurements shall be carried out (exposed parts are acceptably insulated from the supply circuit) before the appliance is returned to the customer.

The DC voltage is an actual reading measured with a high impedance type voltmeter. The measurement value may vary depending on the measuring instruments used or on the product. Refer to the voltage during PLAY unless otherwise specified; The value shown in () is the voltage measured at the moment of STOP.

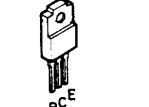
2SC2785



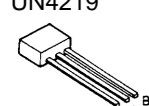
DTC143TSA UN4112



2SB1370

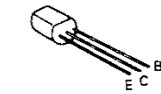


UN4212 UN4216 UN4219



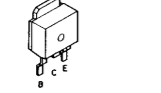
2SA1286-T11 2SC3940A
2SA954
2SA992
2SC1845
2SC2003
2SC2878

KTA1268 KTC3200



DTC143TUA 2SD1819A
UN5111
UN5216
2SA1576A
2SB1218A

2SB1412F5



RXD-A83 (X32-3800-10)									
DESTINATION	UNIT								
COUNTRY	ABB.	No.	(D)	(E)	R50	C43, 44	W19	W28, 31	CN3, CN7
U.S.A.	K	0-10	YES	NO	NO	NO	YES	NO	YES
CANADA	P								

RXD-803/853 (X32-3802-71)									
DESTINATION	UNIT								
COUNTRY	ABB.	No.	(D)	(E)	R50	C43, 44	W19	W28, 31	CN3, CN7
PX	Y								
GENERAL MARKET	M								
AUSTRALIA	X	2-71	NO	YES	YES	YES	NO	YES	NO
U.K.	T								
EUROPE	E								

RXD-803E/853E (X32-3802-71)									
DESTINATION	UNIT								
COUNTRY	ABB.	No.	(D)	(E)	R50	C43, 44	W19	W28, 31	CN3, CN7
EUROPE	E2	2-71	NO	YES	YES	YES	NO	YES	NO

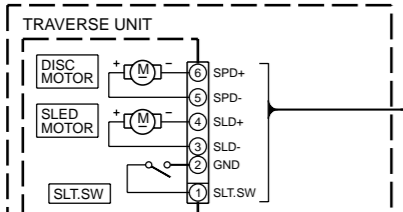
(X32-380X-XX)
IC1 : AN8806SB
IC2 : MN35520 or MN662748RPMFA
IC3 : BA5936S

Q1 : 2SA954(L,K)
Q2 : KTA1046 or 2SB1370 or 2SB1375

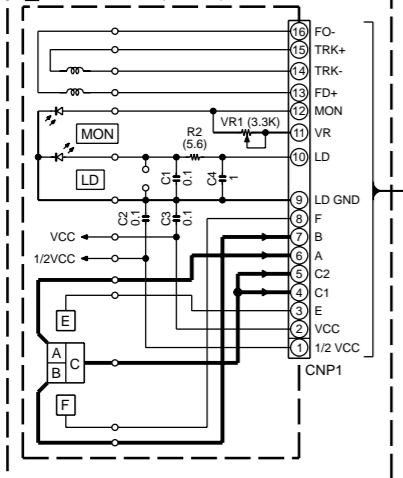
D1,2 : SIR-34ST3F(KL)
D3-5 : 1SS133 or HSS104A

PH1,2 : RPT-37PB3F(MN)

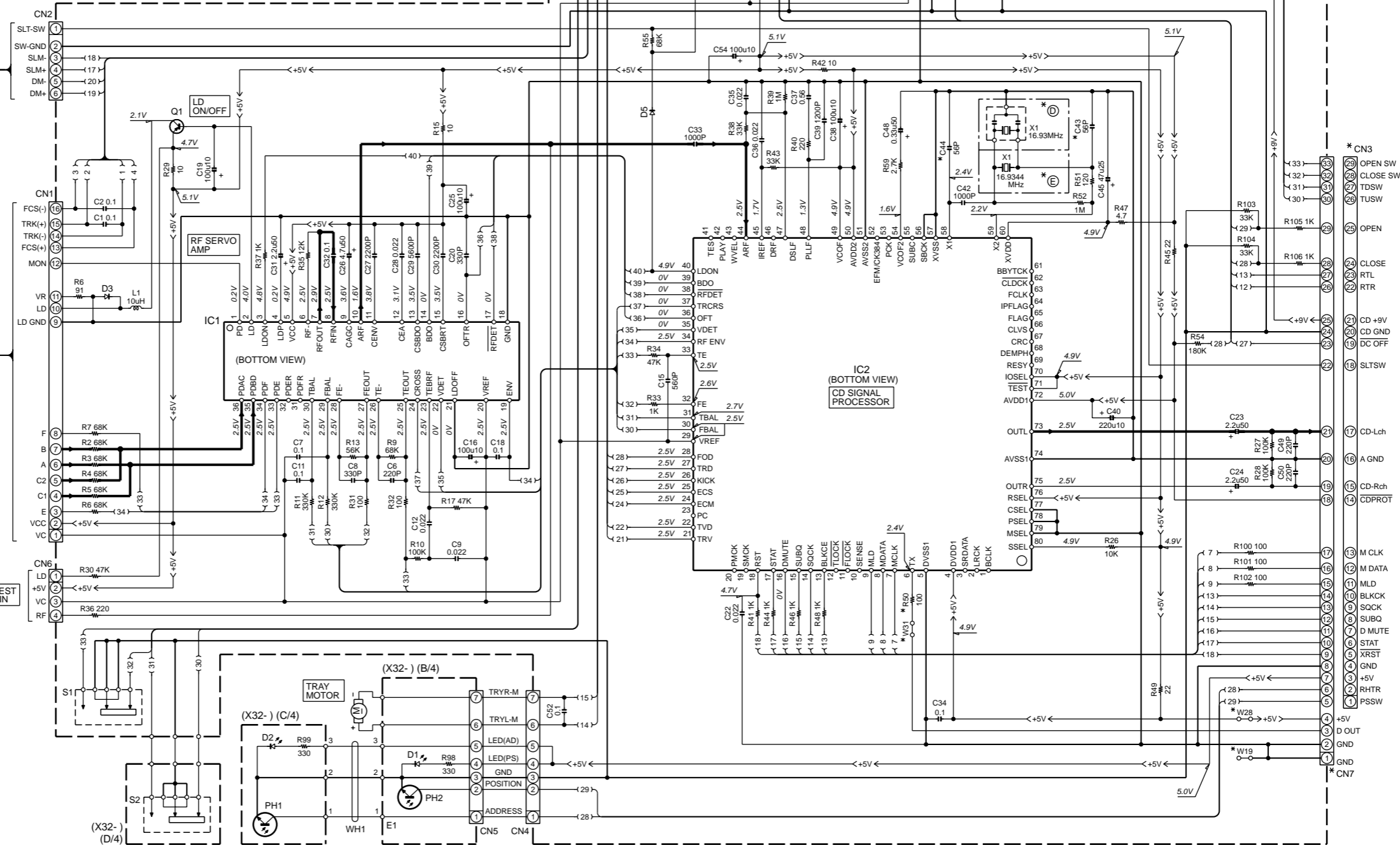
CD MECHANISM ASS'Y (D40-1668-05)



PICKUP ASS'Y (KCP3H)



(X32-380X-XX) (A/4)

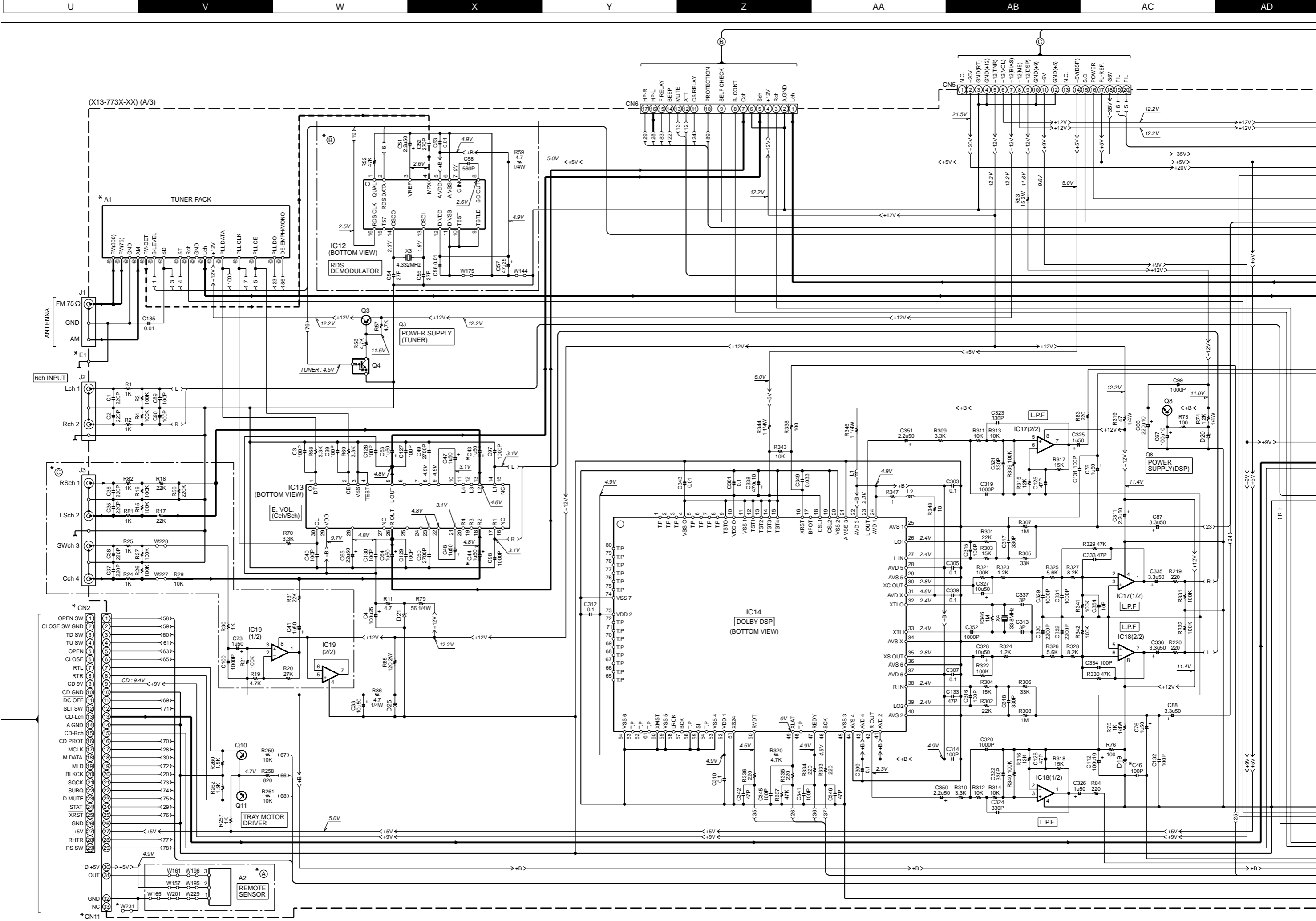


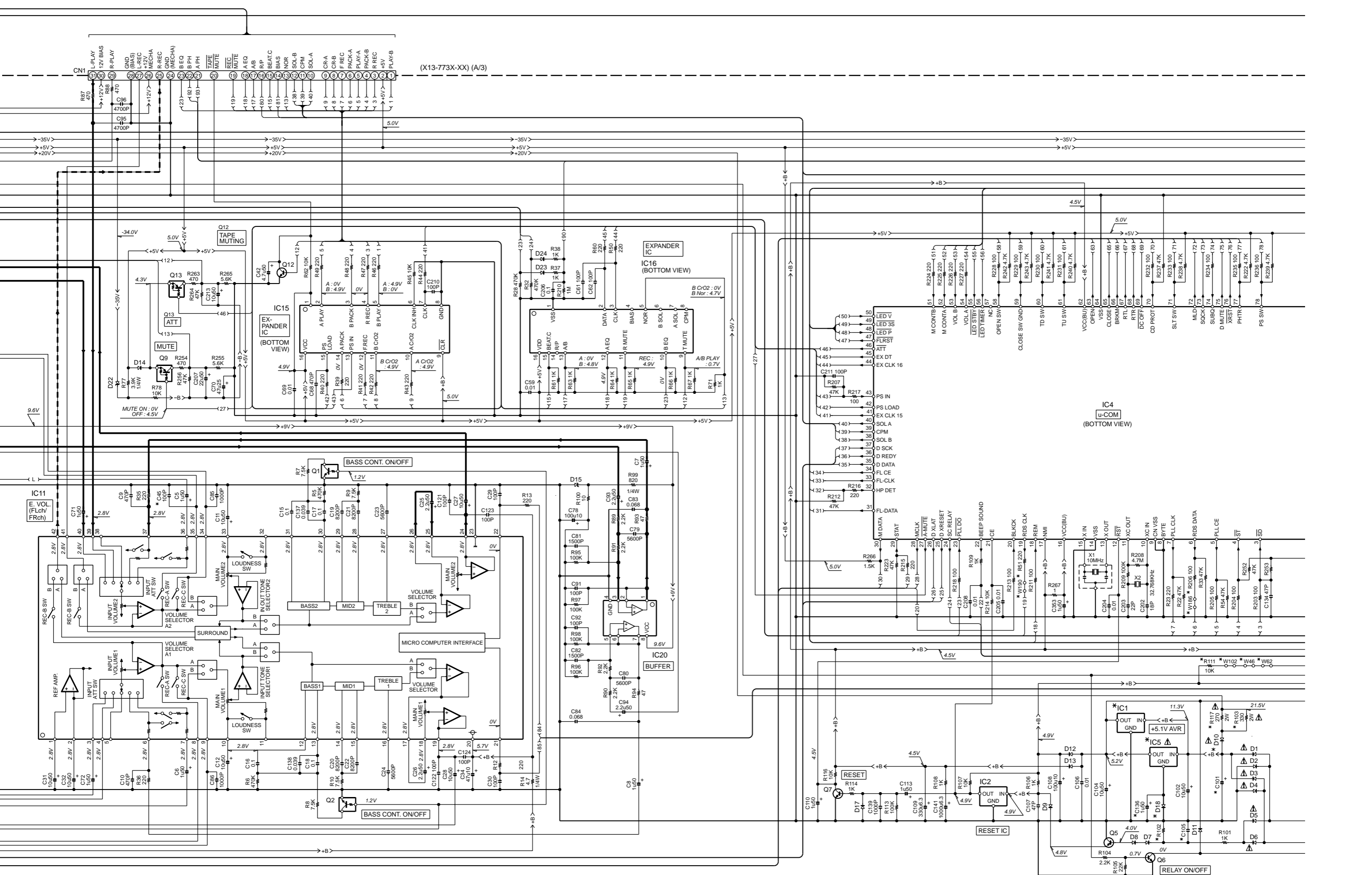
(X32-) (D/4)

(X32-) (B/4)

(X32-) (C/4)

- * CN3
- 33) OPEN SW
- 32) CLOSE SW
- 31) TDSW
- 30) TUSW
- 29) OPEN
- 28) CLOSE
- 27) RTL
- 26) RTR
- 25) CD +9V
- 24) CD GND
- 23) DC OFF
- 22) SLTSW
- 21) AVSS1
- 20) A GND
- 19) CD-Rch
- 18) CDPROT
- 17) CD-Lch
- 16) M CLK
- 15) M DATA
- 14) MLD
- 13) BLKCK
- 12) SCK
- 11) SUBQ
- 10) D MUTE
- 9) STAT
- 8) XRST
- 7) GND
- 6) +5V
- 5) RHTR
- 4) +5V
- 3) D OUT
- 2) GND
- 1) GND
- * CN7





(X13-773X-XX) (A/3)

TAPE MUTING

ATT

MUTE

MUTE ON: 0V
OFF: 4.5V

EXPANDER IC

IC15 (BOTTOM VIEW)

A PLAY

B PLAY

EXPANDER IC

IC16 (BOTTOM VIEW)

A: 0V
B: 4.9V

A: 0V
B: 4.8V

REC: 4.9V

A/B PLAY: 0.7V

EXPANDER IC

IC20 (BOTTOM VIEW)

A: 0V
B: 4.8V

A: 0V
B: 4.8V

REC: 4.9V

A/B PLAY: 0.7V

EXPANDER IC

IC16 (BOTTOM VIEW)

A: 0V
B: 4.9V

A: 0V
B: 4.8V

REC: 4.9V

A/B PLAY: 0.7V

EXPANDER IC

IC16 (BOTTOM VIEW)

A: 0V
B: 4.9V

A: 0V
B: 4.8V

REC: 4.9V

A/B PLAY: 0.7V

EXPANDER IC

IC16 (BOTTOM VIEW)

A: 0V
B: 4.9V

A: 0V
B: 4.8V

REC: 4.9V

A/B PLAY: 0.7V

EXPANDER IC

IC16 (BOTTOM VIEW)

A: 0V
B: 4.9V

A: 0V
B: 4.8V

REC: 4.9V

A/B PLAY: 0.7V

EXPANDER IC

IC16 (BOTTOM VIEW)

A: 0V
B: 4.9V

A: 0V
B: 4.8V

REC: 4.9V

A/B PLAY: 0.7V

IC11

F. VOL. (Flch/ Frch)

BASS CONT. ON/OFF

Q1

1.2V

BASS2

MID2

TREBLE

VOLUME SELECTOR

MAIN VOLUME2

LOUDNESS SW

IN/OUT TONE SELECTOR2

2.8V

2.8V

2.8V

2.8V

2.8V

2.8V

2.8V

BASS CONT. ON/OFF

Q2

1.2V

BASS1

MID1

TREBLE

VOLUME SELECTOR

MAIN VOLUME1

LOUDNESS SW

IN/OUT TONE SELECTOR1

2.8V

2.8V

2.8V

2.8V

2.8V

2.8V

2.8V

EXPANDER IC

IC20 (BOTTOM VIEW)

A: 0V
B: 4.8V

A: 0V
B: 4.8V

REC: 4.9V

A/B PLAY: 0.7V

EXPANDER IC

IC20 (BOTTOM VIEW)

A: 0V
B: 4.8V

A: 0V
B: 4.8V

REC: 4.9V

A/B PLAY: 0.7V

EXPANDER IC

IC20 (BOTTOM VIEW)

A: 0V
B: 4.8V

A: 0V
B: 4.8V

REC: 4.9V

A/B PLAY: 0.7V

EXPANDER IC

IC20 (BOTTOM VIEW)

A: 0V
B: 4.8V

A: 0V
B: 4.8V

REC: 4.9V

A/B PLAY: 0.7V

EXPANDER IC

IC20 (BOTTOM VIEW)

A: 0V
B: 4.8V

A: 0V
B: 4.8V

REC: 4.9V

A/B PLAY: 0.7V

EXPANDER IC

IC20 (BOTTOM VIEW)

A: 0V
B: 4.8V

A: 0V
B: 4.8V

REC: 4.9V

A/B PLAY: 0.7V

IC11

F. VOL. (Flch/ Frch)

Q1

1.2V

BASS2

MID2

TREBLE

VOLUME SELECTOR

MAIN VOLUME2

IC11

F. VOL. (Flch/ Frch)

Q2

1.2V

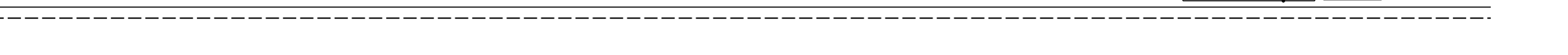
BASS1

MID1

TREBLE

VOLUME SELECTOR

MAIN VOLUME1



RESET

IC2

RESET IC

IC5

RESET

IC2

RESET IC

IC5

RESET

IC2

RESET IC

IC5

RESET

IC2

RESET IC

IC5

RESET

IC2

RESET IC

IC5

RESET

IC2

RESET IC

IC5

RESET

IC2

RESET IC

IC5

RESET

IC2

RESET IC

IC5

RESET

IC2

RESET IC

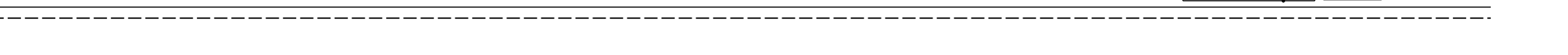
IC5

RESET

IC2

RESET IC

IC5



RESET

IC2

RESET IC

IC5

RESET

IC2

RESET IC

IC5

RESET

IC2

RESET IC

IC5

RESET

IC2

RESET IC

IC5

RESET

IC2

RESET IC

IC5

RESET

IC2

RESET IC

IC5

RESET

IC2

RESET IC

IC5

RESET

IC2

RESET IC

IC5

RESET

IC2

RESET IC

IC5

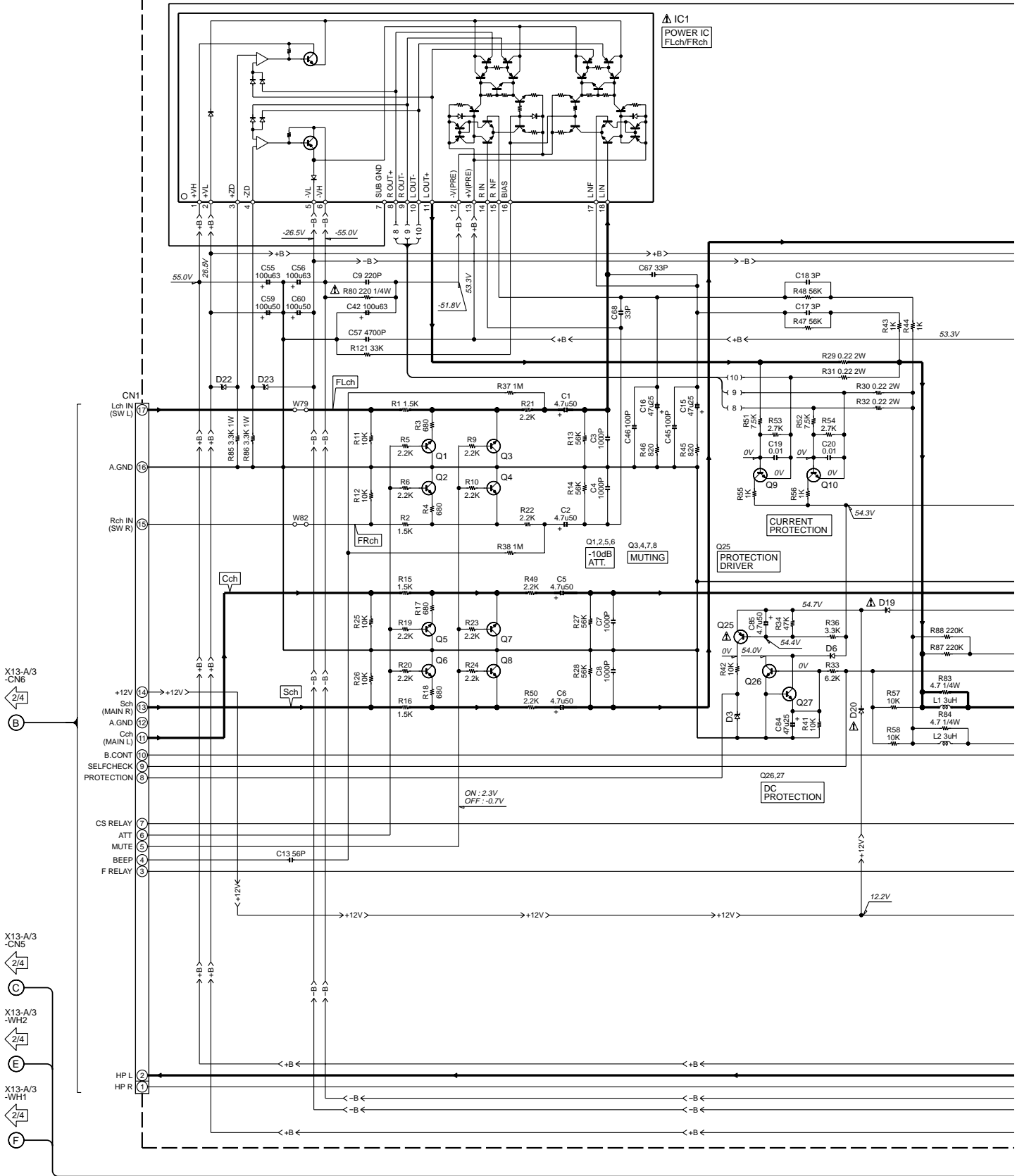
RESET

IC2

RESET IC

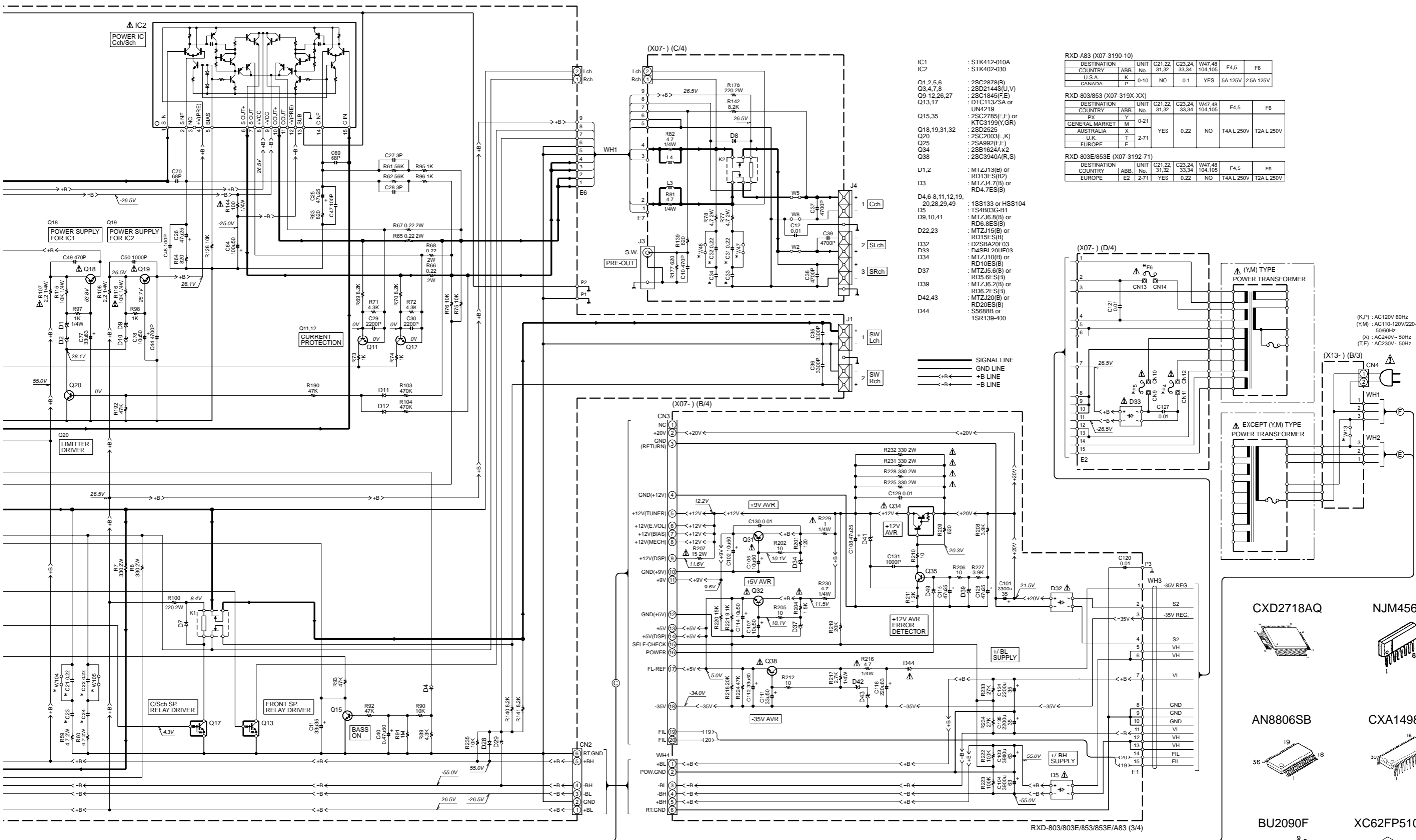
IC5

(X07-319X-XX) (A/4)



CAUTION: For continued safety, replace safety critical components only with manufacturer's recommended parts (refer to parts list). Δ indicates safety critical components. For continued protection against risk of fire, replace only with same type and rating fuse(s). To reduce the risk of electric shock, leakage-current or resistance measurements shall be carried out (exposed parts are acceptably insulated from the supply circuit) before the appliance is returned to the customer.

The DC voltage is an actual reading measured with a high impedance type voltmeter with no signal input. The measurement value may vary depending on the measuring instruments used or on the product.



RXD-A83 (X07-3190-10)

DESTINATION	UNIT	C21.22	C23.24	W47.48	F4.5	F6
COUNTRY	ABB	No.	31.32	33.34	104.105	
U.S.A.	K	0-10	NO	0.1	YES	5A 125V 2.5A 125V
CANADA	P					

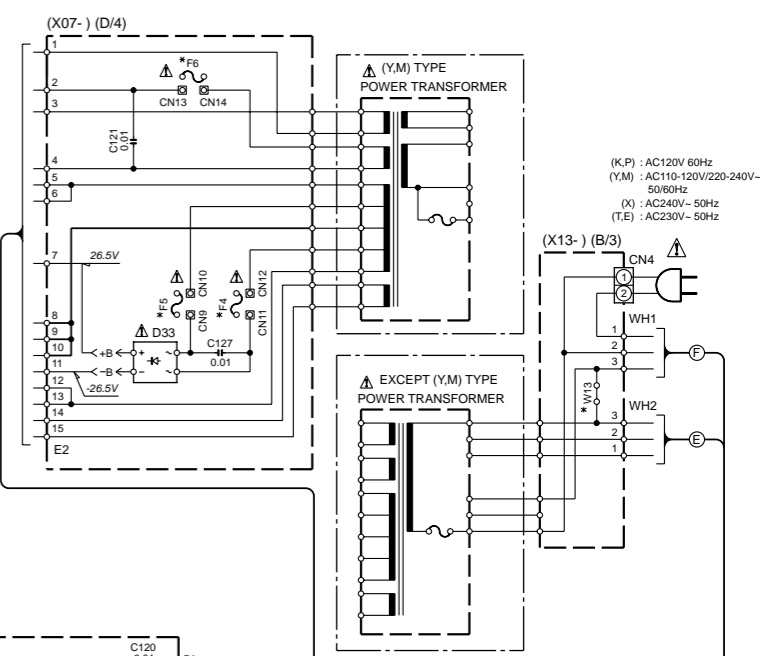
RXD-803/853 (X07-319X-XX)

DESTINATION	UNIT	C21.22	C23.24	W47.48	F4.5	F6
COUNTRY	ABB	No.	31.32	33.34	104.105	
PX	Y	0-21				
GENERAL MARKET	M		YES	0.22	NO	T4AL 250V T2AL 250V
AUSTRALIA	X					
U.K.	T	2-71				
EUROPE	E					

RXD-803E/853E (X07-3192-71)

DESTINATION	UNIT	C21.22	C23.24	W47.48	F4.5	F6
COUNTRY	ABB	No.	31.32	33.34	104.105	
EUROPE	E2	2-71	YES	0.22	NO	T4AL 250V T2AL 250V

- IC1 : STK412-010A
 IC2 : STK402-030
- Q1,2,5,6 : 2SC2878(B)
 Q3,4,7,8 : 2SD2144S(U,V)
 Q9-12,26,27 : 2SC1845(F,E)
 Q13,17 : DTC113ZSA or UN4219
- Q15,35 : 2SC2785(F,E) or KT3C199(Y,GR)
- Q18,19,31,32 : 2SD2525
 Q20 : 2SC2003(L,K)
 Q25 : 2SA992(F,E)
 Q34 : 2SB1624A*2
 Q38 : 2SC3940A(R,S)
- D1,2 : MTZJ13(B) or RD13ES(B2)
 D3 : MTZJ4.7(B) or RD4.7ES(B)
- D4,6-8,11,12,19,20,28,29,49 : 1SS133 or HSS104
 D5 : TS4B03G-B1
 D9,10,41 : MTZJ6.8(B) or RD6.8ES(B)
- D22,23 : MTZJ15(B) or RD15ES(B)
 D32 : D2SB20F03
 D33 : D4SL20UF03
 D34 : MTZJ10(B) or RD10ES(B)
 D37 : MTZJ5.6(B) or RD5.6ES(B)
 D39 : MTZJ6.2(B) or RD6.2ES(B)
 D42,43 : MTZJ20(B) or RD20ES(B)
 D44 : S5688B or 1SR139-400



- 2SB1375, 2SC4081, DTA114EUA, DTC124EUA, NJM4580E, BA3126N, NJM4580ED, KTA1046, UN5212, S-80840ANY, BA5936S, BA05T, AN8806SB, CXA1498S, BU2090F, XC62FP5102P

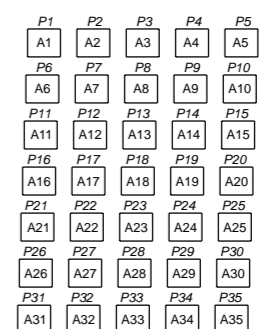
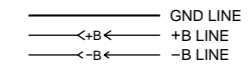
RXD-803/803E/853/853E/A83

Y39-3470-10

KENWOOD

(X14-7190-10) (A/2)

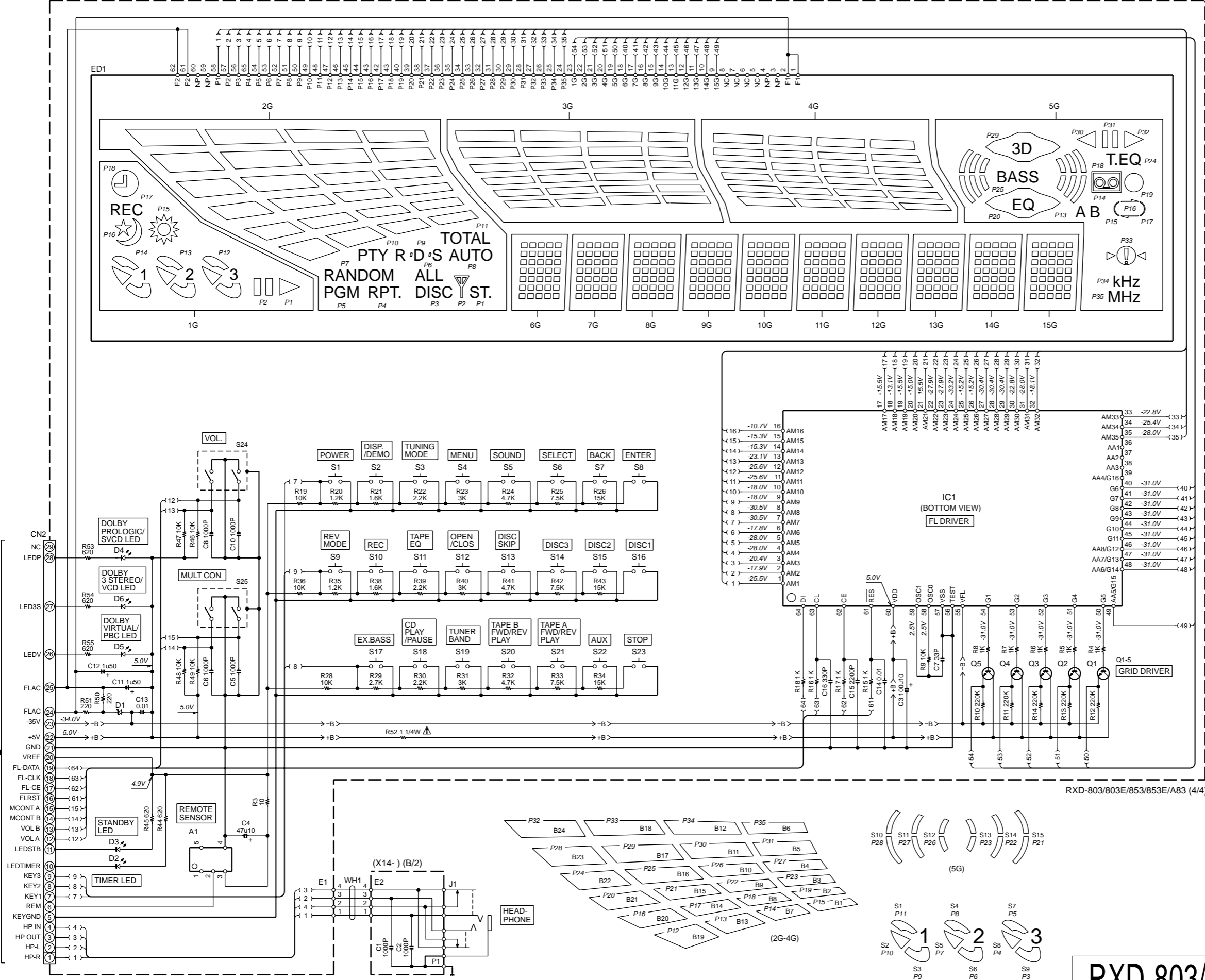
- IC1 : LC75711NED
- Q1-5 : KTC3199(Y,GR) or 2SC2785(F,E)
- D1 : MTZJ6.2(B) or HZS6.2N(B2)
- D2-6 : B30-2567-05
- ED1 : HNA-15MM18T



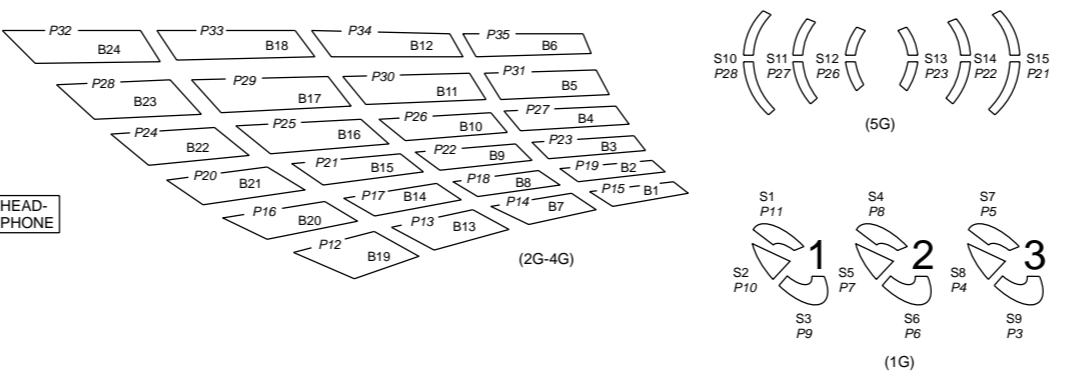
(6G-15G)

CAUTION: For continued safety, replace safety critical components only with manufacturer's recommended parts (refer to parts list). Δ indicates safety critical components. For continued protection against risk of fire, replace only with same type and rating fuse(s). To reduce the risk of electric shock, leakage-current or resistance measurements shall be carried out (exposed parts are acceptably insulated from the supply circuit) before the appliance is returned to the customer.

The DC voltage is an actual reading measured with a high impedance type voltmeter with no signal input. The measurement value may vary depending on the measuring instruments used or on the product.



RXD-803/803E/853/853E/A83 (4/4)



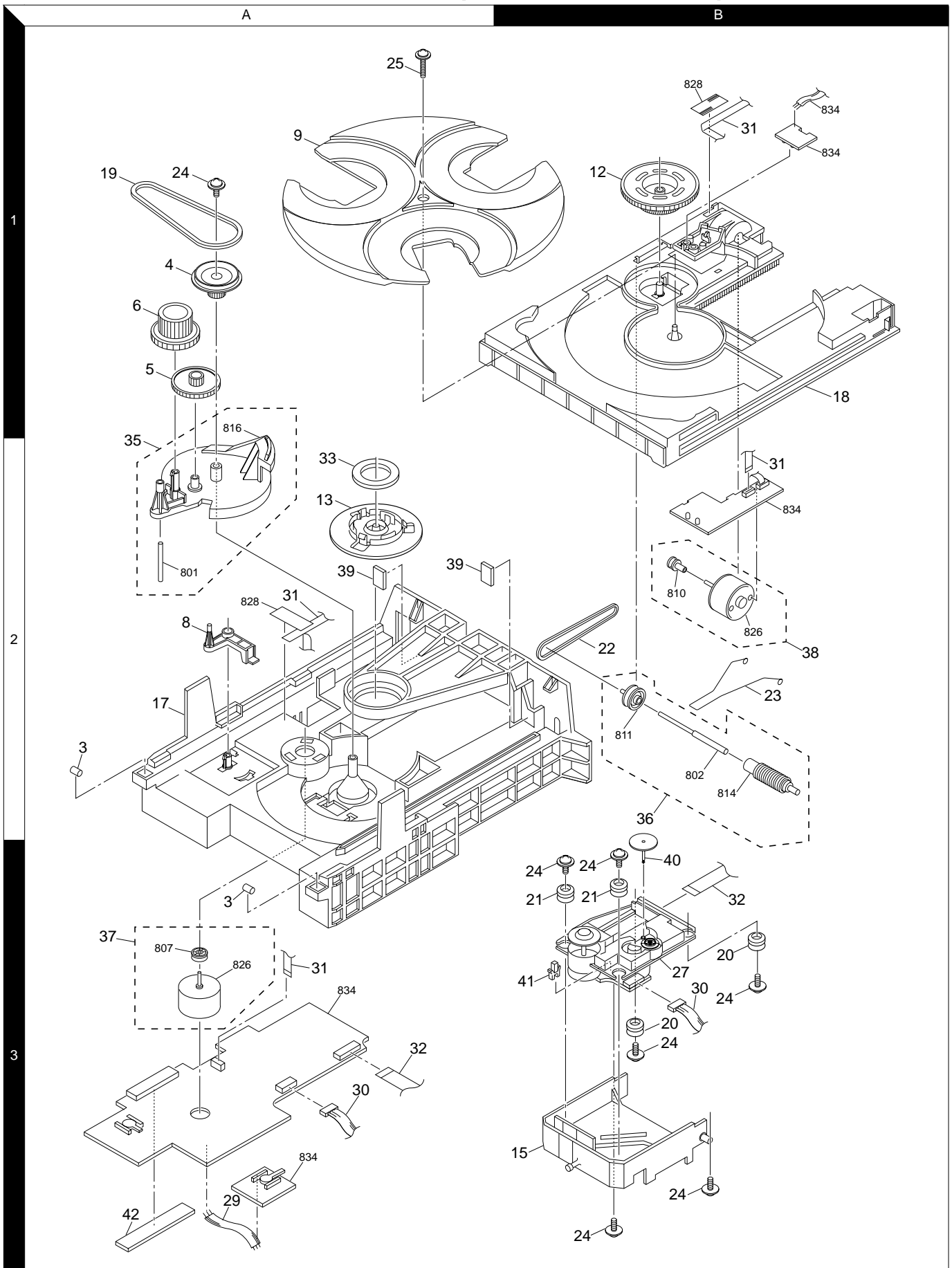
RXD-803/803E/853/853E/A83

Y39-3470-10

KENWOOD

RXD-803/803E/853/853E/A83

EXPLODED VIEW(CD MECHANISM)



Parts with exploded numbers larger than 700 are not supplied.

* New Parts

Parts without **Parts No.** are not supplied.Les articles non mentionnés dans le **Parts No.** ne sont pas fournis.Teile ohne **Parts No.** werden nicht geliefert.

①

Ref. No	Address	New Parts	Parts No.	Description	Destination	Remarks
RXD-803/803E/853/853E/A83						
601	1C		A01-3739-11	METALLIC CABINET	KPYMXT	
601	1C		A01-3739-11	METALLIC CABINET	RXD-853/E	
601	1C	*	A01-3753-11	METALLIC CABINET	RXD-803/E	
602	1C		A09-1151-08	BATTERY COVER		
604	2C		A29-1082-12	PANEL	KPYMXT	
604	2C		A29-1082-12	PANEL	RXD-853/E	
604	2C	*	A29-1096-12	PANEL	RXD-803/E	
605	2C		A53-2175-11	CASSETTE HOLDER (L)	KPYMXT	
605	2C		A53-2175-11	CASSETTE HOLDER (L)	RXD-853/E	
605	2C	*	A53-2192-11	CASSETTE HOLDER (L)	RXD-803/E	
606	2C		A53-2176-11	CASSETTE HOLDER (R)	KPYMXT	
606	2C		A53-2176-11	CASSETTE HOLDER (R)	RXD-853/E	
606	2C	*	A53-2193-11	CASSETTE HOLDER (R)	RXD-803/E	
607	1C		A60-1769-31	PANEL ASSY	KP	
607	1C		A60-1771-31	PANEL ASSY	YMX	
607	1C		A60-1771-31	PANEL ASSY	RXD-853/E	
607	1C	*	A60-1831-31	PANEL ASSY	RXD-803/E	
608	1C	*	A70-1367-05	REMOTE CONTROLLER ASSY	KPYMX	
608	1C	*	A70-1368-05	REMOTE CONTROLLER ASSY	TEE2	
613	2C		B10-3561-03	FRONT GLASS (L)	KPYMXT	
613	2C		B10-3561-03	FRONT GLASS (L)	RXD-853/E	
613	2C		B10-3586-03	FRONT GLASS (L)	RXD-803/E	
614	2C		B10-3562-03	FRONT GLASS (R)	KPYMXT	
614	2C		B10-3562-03	FRONT GLASS (R)	RXD-853/E	
614	2C	*	B10-3587-03	FRONT GLASS (R)	RXD-803/E	
615	2C	*	B10-3581-02	FRONT GLASS	KP	
615	2C	*	B10-3582-02	FRONT GLASS	YMX	
615	2C	*	B10-3583-02	FRONT GLASS	RXD-853/E	
615	2C	*	B10-3612-02	FRONT GLASS	RXD-803/E	
-			B46-0096-53	WARRANTY CARD	X	
-			B46-0310-03	WARRANTY CARD	TEE2	
-			B46-0328-03	WARRANTY CARD	KY	
-			B46-0347-03	WARRANTY CARD	P	
-			B46-0350-00	QUESTIONNAIRE CARD	T	
-			B58-0513-04	CAUTION CARD (PRESET220-240)	Y	
-			B58-1643-04	CAUTION CARD (CASSETTE EJEC)		
-			B59-1104-00	SERVICE DIRECTORY	Y	
-		*	B60-4573-00	INSTRUCTION MANUAL (EN)	EE2	
-		*	B60-4573-00	INSTRUCTION MANUAL (EN)	KPYMXT	
-		*	B60-4574-00	INSTRUCTION MANUAL (FR)	PE	
-		*	B60-4575-00	INSTRUCTION MANUAL (GE)	E	
-		*	B60-4576-00	INSTRUCTION MANUAL (NE)	E	
-		*	B60-4577-00	INSTRUCTION MANUAL (IT)	E	
-		*	B60-4578-00	INSTRUCTION MANUAL (ES)	ME	
-		*	B60-4579-00	INSTRUCTION MANUAL (AR)	M	
-		*	B60-4580-00	INSTRUCTION MANUAL (PL)	E2	
-		*	B60-4581-00	INSTRUCTION MANUAL (HU)	E2	
-		*	B60-4582-00	INSTRUCTION MANUAL (CZ)	E2	
-		*	B60-4583-00	INSTRUCTION MANUAL (RU)	E2	
618	2C.2D		D39-0334-15	DAMPER		
619	2D		D40-1661-15	CASSETTE MECHANISM ASSY		
△ 624	1C		E03-0115-05	AC PLUG ADAPTER	M	

L: Scandinavia
Y: PX(Far East,Hawaii)
Y: AAFES(Europe)K: USA
T: England
X: AustraliaP: Canada
E: Europe
Q: RussiaR: Mexico
G: Germany
H: Korea
M: Other AreasC: China
V: China(Shanghai)

I: Malaysia

△ indicates safety critical components.

* New Parts

Parts without **Parts No.** are not supplied.Les articles non mentionnés dans le **Parts No.** ne sont pas fournis.Teile ohne **Parts No.** werden nicht geliefert.

②

Ref. No	Address	New Parts	Parts No.	Description	Destination	Remarks
△ 625	1E		E30-2605-05	AC POWER CORD	Y	
△ 625	1E		E30-2717-05	AC POWER CORD	X	
△ 625	1E		E30-2829-05	AC POWER CORD	T	
△ 625	1E		E30-2941-05	AC POWER CORD	KP	
△ 625	1E		E30-2942-05	AC POWER CORD	MEE2	
626	1C,1D	*	E35-2569-15	FLAT CABLE (29P)		
627	1D,2D		E35-2471-05	FLAT CABLE (31P)		
628	2D		E35-2542-05	FLAT CABLE (17P)		
629	1D	*	E35-2568-05	FLAT CABLE (17P)		
630	1C,1D		E35-2547-05	FLAT CABLE (29P)		
630	1C,1D		E35-2598-05	FLAT CABLE (33P)		
630	1C,1D		E35-2598-05	FLAT CABLE (33P)	TEE2	
634	1E		F07-1692-01	COVER		
638	2C		G01-4170-04	TORSION COIL SPRING		
639	2C		G01-4171-04	TORSION COIL SPRING		
-			H10-7634-12	POLYSTYRENE FOAMED FIXTURE (L)		
-			H10-7635-12	POLYSTYRENE FOAMED FIXTURE (R)		
-			H25-1536-04	PROTECTION BAG	EE2	
-			H25-1536-04	PROTECTION BAG	KPYXTE	
-			H25-1642-04	PROTECTION BAG		
-			H25-1654-04	PROTECTION BAG	M	
-		*	H50-3663-04	ITEM CARTON CASE	KP	
-		*	H50-3664-04	ITEM CARTON CASE	YX	
-		*	H50-3665-04	ITEM CARTON CASE	TE	
-		*	H50-3666-04	ITEM CARTON CASE	M	
-		*	H50-3667-04	ITEM CARTON CASE	RXD-853E	
-		*	H50-3792-04	ITEM CARTON CASE	RXD-803	
-		*	H50-3793-04	ITEM CARTON CASE	RXD-803E	
641	1D		J19-3751-04	UNIT HOLDER		
642	2D		J19-5911-05	UNIT HOLDER		
△ 646	1E		J42-0083-05	POWER CORD BUSHING		
647	2C		J52-0039-05	PUSH LATCH		
-			J61-0307-05	WIRE BAND		
653	2C		K29-7721-04	KNOB	KPYMXT	
653	2C		K29-7721-04	KNOB	RXD-853/E	
653	2C	*	K29-7778-04	KNOB	RXD-803/E	
654	2C		K29-7722-04	KNOB	KPYMXT	
654	2C		K29-7722-04	KNOB	RXD-853/E	
654	2C	*	K29-7779-04	KNOB	RXD-803/E	
△ 660	2E	*	L07-2847-05	POWER TRANSFORMER	KP	
△ 660	2E	*	L07-2848-05	POWER TRANSFORMER	YM	
△ 660	2E	*	L07-2849-05	POWER TRANSFORMER	X	
△ 660	2E	*	L07-2850-05	POWER TRANSFORMER	TEE2	
664	1C		T90-0836-05	LEAD WIRE ANTENNA		
665	1C		T90-0837-05	LOOP ANTENNA		
665	1C		T90-0852-05	LOOP ANTENNA		
POWER AMPLIFIER UNIT (X07-319X-XX)						
C1 ,2			CE04KW1H4R7M	ELECTRO	4.7UF	50WV
C3 ,4			CK45FB1H102K	CERAMIC	1000PF	K
C5 ,6			CE04KW1H4R7M	ELECTRO	4.7UF	50WV
C7 ,8			CK45FB1H102K	CERAMIC	1000PF	K
C9			CC45FSL1H221J	CERAMIC	220PF	J

L: Scandinavia
Y: PX(Far East,Hawaii)
Y: AAFES(Europe)K: USA
T: England
X: AustraliaP: Canada
E: Europe
Q: RussiaR: Mexico
G: Germany
H: KoreaC: China
V: China(Shanghai)

I: Malaysia

△ indicates safety critical components.

PARTS LIST

RXD-803/803E/853/853E/A83

* New Parts
Parts without **Parts No.** are not supplied.
Les articles non mentionnés dans le **Parts No.** ne sont pas fournis.
Teile ohne **Parts No.** werden nicht geliefert.

3

Ref. No	Add-ress	New Parts	Parts No.	Description	Desti-nation	Re-marks
C10			CK45FB1H471K	CERAMIC 470PF	K	
C11		*	CE04PW1V330M	ELECTRO 33UF	35WV	
C12			CK45FF1H103Z	CERAMIC 0.010UF	Z	
C13			CC45FSL1H560J	CERAMIC 56PF	J	
C15 ,16			CE04KW1E470M	ELECTRO 47UF	25WV	
C17 ,18			CC45FSL1H030C	CERAMIC 3.0PF	C	
C19 ,20			CK45FF1H103Z	CERAMIC 0.010UF	Z	
C21 ,22			CQ93FMG1H224J	MYLAR 0.22UF	J	E2
C21 ,22			CQ93FMG1H224J	MYLAR 0.22UF	J	YMXTTE
C21 ,22			C91-1577-05	MP-C 0.22UF	J	E2
C21 ,22			C91-1577-05	MP-C 0.22UF	J	YMXTTE
C23 ,24			CQ93FMG1H104J	MYLAR 0.10UF	J	KP
C23 ,24			CQ93FMG1H224J	MYLAR 0.22UF	J	E2
C23 ,24			CQ93FMG1H224J	MYLAR 0.22UF	J	YMXTTE
C23 ,24			C91-1573-05	MP-C 0.10UF	J	KP
C23 ,24			C91-1577-05	MP-C 0.22UF	J	E2
C23 ,24			C91-1577-05	MP-C 0.22UF	J	YMXTTE
C25 ,26			CE04KW1E470M	ELECTRO 47UF	25WV	
C27 ,28			CC45FSL1H030C	CERAMIC 3.0PF	C	
C29 ,30			CK45FB1H222K	CERAMIC 2200PF	K	
C31 ,32			CQ93FMG1H224J	MYLAR 0.22UF	J	E2
C31 ,32			CQ93FMG1H224J	MYLAR 0.22UF	J	YMXTTE
C31 ,32			C91-1577-05	MP-C 0.22UF	J	E2
C31 ,32			C91-1577-05	MP-C 0.22UF	J	YMXTTE
C31 ,34			CQ93FMG1H224J	MYLAR 0.22UF	J	E2
C33 ,34			CQ93FMG1H104J	MYLAR 0.10UF	J	KP
C33 ,34			CQ93FMG1H224J	MYLAR 0.22UF	J	YMXTTE
C33 ,34			C91-1573-05	MP-C 0.10UF	J	KP
C33 ,34			C91-1577-05	MP-C 0.22UF	J	E2
C33 ,34			C91-1577-05	MP-C 0.22UF	J	YMXTTE
C35 ,36			CK45FB1H332K	CERAMIC 3300PF	K	
C37 -39			CK45FF1H472Z	CERAMIC 4700PF	Z	
C40			CE04RW1HR47M	ELECTRO 0.47UF	50WV	
C42			CE04DW1J101M	ELECTRO 100UF	63WV	
C44			CK45FF1H472Z	CERAMIC 4700PF	Z	
C45 -48			CC45FSL1H101J	CERAMIC 100PF	J	
C49			CK45FB1H471K	CERAMIC 470PF	K	
C50			CK45FB1H102K	CERAMIC 1000PF	K	
C55 ,56			CE04DW1J101M	ELECTRO 100UF	63WV	
C57			CK45FE2H472P	CERAMIC 4700PF	P	
C59 ,60			CE04KW1H101M	ELECTRO 100UF	50WV	
C64			CE04KW1H101M	ELECTRO 100UF	50WV	
C67 ,68			CC45FSL1H330J	CERAMIC 33PF	J	
C69 ,70			CC45FSL1H680J	CERAMIC 68PF	J	
C77			CE04KW1J330M	ELECTRO 33UF	63WV	
C78			CE04KW1H100M	ELECTRO 10UF	50WV	
C84		*	CE04PW1E470M	ELECTRO 47UF	25WV	
C85		*	CE04PW1H4R7M	ELECTRO 4.7UF	50WV	
C101			CE04KW1V332M	ELECTRO 3300UF	35WV	
C102			CE04LW1H100M	ELECTRO 10UF	50WV	
C103,104		*	C90-3931-05	ELECTRO 3900UF	63WV	
C105			CE04LW1H100M	ELECTRO 10UF	50WV	
C107		*	CE04PW1H100M	ELECTRO 10UF	50WV	
C108			CE04KW1E470M	ELECTRO 47UF	25WV	
C111,112		*	CE04PW1H330M	ELECTRO 33UF	50WV	

L : Scandinavia K : USA P : Canada R : Mexico C : China I : Malaysia
Y : PX(Far East,Hawaii) T : England E : Europe G : Germany V : China(Shanghai)
Y : AAFES(Europe) X : Australia Q : Russia H : Korea M : Other Areas Δ indicates safety critical components .

* New Parts
Parts without **Parts No.** are not supplied.
Les articles non mentionnés dans le **Parts No.** ne sont pas fournis.
Teile ohne **Parts No.** werden nicht geliefert.

4

Ref. No	Add-ress	New Parts	Parts No.	Description	Desti-nation	Re-marks
C114		*	CE04PW1H100M	ELECTRO 10UF	50WV	
C115			CE04KW1E470M	ELECTRO 47UF	25WV	
C116			CE04LW1J221M	ELECTRO 220UF	63WV	
C120			CK45FF1H103Z	CERAMIC 0.010UF	Z	
C121			CK45FE2H103P	CERAMIC 0.010UF	P	
C127			CK45FE2H103P	CERAMIC 0.010UF	P	
C128			CE04KW1E470M	ELECTRO 47UF	25WV	
C129,130			CK45FF1H103Z	CERAMIC 0.010UF	Z	
C131			CK45FB1H102K	CERAMIC 1000PF	K	
C134,135		*	C90-3932-05	ELECTRO 2200UF	35WV	
CN1			E40-4942-05	FLAT CABLE CONNECTOR		
CN2			E40-7546-05	PIN ASSY		
CN3			E40-8321-05	SOCKET FOR PIN ASSY		
J1			E70-0045-05	LOCK TERMINAL BOARD		
J3			E63-0116-05	PIN JACK		
J4			E70-0046-05	LOCK TERMINAL BOARD		
Δ F4 ,5			F05-4025-05	FUSE (SEMKO) (250V T4A L)		E2
Δ F4 ,5			F05-4025-05	FUSE (SEMKO) (250V T4A L)		YMXTTE
Δ F4 ,5			F50-0074-05	FUSE(5X20)		KP
Δ F6			F06-2021-05	FUSE (SEMKO) (250V T2AL)		E2
Δ F6			F06-2021-05	FUSE (SEMKO) (250V T2AL)		YMXTTE
Δ F6			F50-0070-05	FUSE(5X20)		KP
CN9 -14			J13-0075-05	FUSE CLIP		
L1 ,2			L39-1373-05	PHASE COMPENSATION COIL		
L3 ,4			L39-0085-05	PHASE COMPENSATION COIL		
R7 ,8			RS14KB3D331J	FL-PROOF RS 330	J	2W
R29 -32			RS14KB3DR22J	FL-PROOF RS 0.22	J	2W
R59 ,60			RS14KB3D4R7J	FL-PROOF RS 4.7	J	2W
R65 -68			RS14KB3DR22J	FL-PROOF RS 0.22	J	2W
R77 ,78			RS14KB3D4R7J	FL-PROOF RS 4.7	J	2W
Δ R80			RD14NB2E221J	RD 220	J	1/4W
R81 -84			RD14NB2E4R7J	RD 4.7	J	1/4W
R85 ,86			RS14KB3A332J	FL-PROOF RS 3.3K	J	1W
R97			RD14NB2E102J	RD 1.0K	J	1/4W
R100			RS14KB3D221J	FL-PROOF RS 220	J	2W
Δ R107,108			RD14NB2E2R2J	RD 2.2	J	1/4W
R115,116			RD14NB2E103J	RD 10K	J	1/4W
Δ R144			RD14NB2E101J	RD 100	J	1/4W
R178			RS14KB3D221J	FL-PROOF RS 220	J	2W
Δ R207			RS14KB3D150J	FL-PROOF RS 15	J	2W
Δ R216			RD14NB2E4R7J	RD 4.7	J	1/4W
R217			RD14NB2E272J	RD 2.7K	J	1/4W
Δ R218,219			RD14BB2C203J	RD 20K	J	1/6W
Δ R225			RS14KB3D331J	FL-PROOF RS 330	J	2W
Δ R228			RS14KB3D331J	FL-PROOF RS 330	J	2W
Δ R229			RD14NB2E1R0J	RD 1	J	1/4W
Δ R230			RD14NB2E4R7J	RD 4.7	J	1/4W
Δ R231,232			RS14KB3D331J	FL-PROOF RS 330	J	2W

L : Scandinavia K : USA P : Canada R : Mexico C : China I : Malaysia
Y : PX(Far East,Hawaii) T : England E : Europe G : Germany V : China(Shanghai)
Y : AAFES(Europe) X : Australia Q : Russia H : Korea M : Other Areas Δ indicates safety critical components .

* New Parts

Parts without **Parts No.** are not supplied.

Les articles non mentionnés dans le **Parts No.** ne sont pas fournis.

Teile ohne **Parts No.** werden nicht geliefert.

5

Ref. No	Add-ress	New Parts	Parts No.	Description	Desti-nation	Re-marks
K1 ,2		*	S76-0098-05	MAGNETIC RELAY		
D1 ,2			MTZJ13(B)	ZENER DIODE		
D1 ,2			RD13ES(B2)	ZENER DIODE		
D3			MTZJ4.7(B)	ZENER DIODE		
D3			RD4.7ES(B)	ZENER DIODE		
D4			HSS104	DIODE		
Δ D4		*	1SS133	DIODE		
D5			TS4B03G-B1	DIODE		
D6 -8			HSS104	DIODE		
D6 -8			1SS133	DIODE		
D9 ,10			MTZJ6.8(B)	ZENER DIODE		
D9 ,10			RD6.8ES(B)	ZENER DIODE		
D11 ,12			HSS104	DIODE		
D11 ,12			1SS133	DIODE		
Δ D19 ,20			HSS104	DIODE		
Δ D19 ,20			1SS133	DIODE		
D22 ,23			MTZJ15(B)	ZENER DIODE		
D22 ,23			RD15ES(B)	ZENER DIODE		
D28 ,29			HSS104	DIODE		
D28 ,29			1SS133	DIODE		
Δ D32			D2SBA20F03	DIODE		
Δ D33			D4SBL20UF03	DIODE		
D34			MTZJ10(B)	ZENER DIODE		
D34			RD10ES(B)	ZENER DIODE		
D37			MTZJ5.6(B)	ZENER DIODE		
D37			RD5.6ES(B)	ZENER DIODE		
D39			MTZJ6.2(B)	ZENER DIODE		
D39			RD6.2ES(B)	ZENER DIODE		
D41			MTZJ6.8(B)	ZENER DIODE		
D41			RD6.8ES(B)	ZENER DIODE		
D42 ,43			MTZJ20(B)	ZENER DIODE		
D42 ,43			RD20ES(B)	ZENER DIODE		
Δ D44			S5688B	DIODE		
Δ D44			1SR139-400	DIODE		
D49			HSS104	DIODE		
D49			1SS133	DIODE		
Δ IC1		*	STK412-010A	HYBRID IC		
Δ IC2			STK402-030	HYBRID IC		
Q1 ,2			2SC2878(B)	TRANSISTOR		
Q3 ,4			2SD2144S(U,V)	TRANSISTOR		
Q5 ,6			2SC2878(B)	TRANSISTOR		
Q7 ,8			2SD2144S(U,V)	TRANSISTOR		
Q9 -12			2SC1845(F,E)	TRANSISTOR		
Q13			DTC113ZSA	DIGITAL TRANSISTOR		
Q13			UN4219	DIGITAL TRANSISTOR		
Q15			KTC3199(Y,GR)	TRANSISTOR		
Q15			2SC2785(F,E)	TRANSISTOR		
Q17			DTC113ZSA	DIGITAL TRANSISTOR		
Q17			UN4219	DIGITAL TRANSISTOR		
Δ Q18 ,19			2SD2525	TRANSISTOR		
Q20			2SC2003(L,K)	TRANSISTOR		
Δ Q25			2SA992(F,E)	TRANSISTOR		
Q26 ,27			2SC1845(F,E)	TRANSISTOR		
Δ Q31 ,32			2SD2525	TRANSISTOR		

L : Scandinavia K : USA P : Canada R : Mexico C : China I : Malaysia
 Y : PX(Far East,Hawaii) T : England E : Europe G : Germany V : China(Shanghai)
 Y : AAFES(Europe) X : Australia Q : Russia H : Korea M : Other Areas Δ indicates safety critical components.

* New Parts

Parts without **Parts No.** are not supplied.

Les articles non mentionnés dans le **Parts No.** ne sont pas fournis.

Teile ohne **Parts No.** werden nicht geliefert.

6

Ref. No	Add-ress	New Parts	Parts No.	Description	Desti-nation	Re-marks
Δ Q34		*	2SB1624A*2	TRANSISTOR		
Q35			KTC3199(Y,GR)	TRANSISTOR		
Q35			2SC2785(F,E)	TRANSISTOR		
Δ Q38			2SC3940A(R,S)	TRANSISTOR		
SUB-CIRCUIT UNIT (X13-773X-XX)						
C1 ,2			CC73GCH1H221J	CHIP C	220PF	J
C3			CC73GCH1H101J	CHIP C	100PF	J
C4			CE04LW1E101M	ELECTRO	100UF	25WV
C5 ,6			CE04LW1H010M	ELECTRO	1.0UF	50WV
C7 ,8			CE04KW1H010M	ELECTRO	1.0UF	50WV
C9 ,10			CK73GB1H471K	CHIP C	470PF	K
C11 ,12			CE04KW1H100M	ELECTRO	10UF	50WV
C15 -18			CK73GB1C104K	CHIP C	0.10UF	K
C19 -22			CK73GB1H822K	CHIP C	8200PF	K
C23 ,24			CK73GB1H562K	CHIP C	5600PF	K
C25 ,26			CE04LW1H2R2M	ELECTRO	2.2UF	50WV
C27 ,28			CE04KW1H100M	ELECTRO	10UF	50WV
C29 ,30			CC73GCH1H101J	CHIP C	100PF	J
C31 -33			CE04KW1H100M	ELECTRO	10UF	50WV
C34			CE04KW1A470M	ELECTRO	47UF	10WV
C35 -38			CC73GCH1H221J	CHIP C	220PF	J
C39 ,40			CC73GCH1H101J	CHIP C	100PF	J
C41			CE04LW1H010M	ELECTRO	1.0UF	50WV
C42		*	CE04PW1H4R7M	ELECTRO	4.7UF	50WV
C43 ,44			CE04LW1H010M	ELECTRO	1.0UF	50WV
C45 ,46			CC73GCH1H101J	CHIP C	100PF	J
C45 ,46			CC73GCH1H101J	CHIP C	100PF	J
C47 ,48			CE04LW1H010M	ELECTRO	1.0UF	50WV
C49 ,50			CK73GB1H272K	CHIP C	2700PF	K
C51			CE04LW1H2R2M	ELECTRO	2.2UF	50WV
C52			CC73GCH1H271J	CHIP C	270PF	J
C53			CK73GB1H103K	CHIP C	0.010UF	K
C54 ,55			CC73GCH1H270J	CHIP C	27PF	J
C56			CK73GB1H103K	CHIP C	0.010UF	K
C57			CE04LW1E470M	ELECTRO	47UF	25WV
C58			CK73GB1H561K	CHIP C	560PF	K
C59			CK73GB1H103K	CHIP C	0.010UF	K
C61 ,62			CC73GCH1H101J	CHIP C	100PF	J
C63 ,64			CE04LW1H010M	ELECTRO	1.0UF	50WV
C65			CE04LW1H220M	ELECTRO	22UF	50WV
C66			CE04LW1A221M	ELECTRO	220UF	10WV
C67			CE04KW1A101M	ELECTRO	100UF	10WV
C68			CC73GCH1H471J	CHIP C	470PF	J
C69			CK73GB1H103K	CHIP C	0.010UF	K
C70			CE04LW1E470M	ELECTRO	47UF	25WV
C71 ,72			CE04LW1H010M	ELECTRO	1.0UF	50WV
C73			CE04LW1H010M	ELECTRO	1.0UF	50WV
C75 ,76			CE04LW1H010M	ELECTRO	1.0UF	50WV
C78			CE04KW1A101M	ELECTRO	100UF	10WV
C79 ,80			CQ93FMG1H562J	MYLAR	5600PF	J
C81 ,82			CQ93FMG1H152J	MYLAR	1500PF	J
C83 ,84			CQ93FMG1H683J	MYLAR	0.068UF	J
C85 ,86			CK73GB1H102K	CHIP C	1000PF	K
C87 ,88			CE04LW1H3R3M	ELECTRO	3.3UF	50WV
C89 -92			CC73GCH1H101J	CHIP C	100PF	J

L : Scandinavia K : USA P : Canada R : Mexico C : China I : Malaysia
 Y : PX(Far East,Hawaii) T : England E : Europe G : Germany V : China(Shanghai)
 Y : AAFES(Europe) X : Australia Q : Russia H : Korea M : Other Areas Δ indicates safety critical components.

PARTS LIST

RXD-803/803E/853/853E/A83

* New Parts
Parts without **Parts No.** are not supplied.
Les articles non mentionnés dans le **Parts No.** ne sont pas fournis.
Teile ohne **Parts No.** werden nicht geliefert.

7

Ref. No	Add-ress	New Parts	Parts No.	Description	Desti-nation	Re-marks
C93_94 C95_96 C97-99 C100 C101			CE04KW1H2R2M CK73GB1H472K CK73GB1H102K CK73GB1H102K CE04KW1C332M	ELECTRO CHIP C CHIP C CHIP C ELECTRO	2.2UF 4700PF 1000PF 1000PF 3300UF	50WV K K K 16WV
C101 C101 C102 C104 C105		*	CE04KW1E332M CE04KW1E332M CE04PW1H100M CE04PW1H100M CQ93FMG1H104J	ELECTRO ELECTRO ELECTRO ELECTRO MYLAR	3300UF 3300UF 10UF 10UF 0.10UF	25WV 25WV 50WV 50WV J
C105 C105 C106 C107 C108		*	CQ93FMG1H393J CQ93FMG1H393J CK73GB1H103K CC73GCH1H470J CE04PW1A101M	MYLAR MYLAR CHIP C CHIP C ELECTRO	0.039UF 0.039UF 0.010UF 47PF 100UF	J J K J 10WV
C109 C110 C112 C113 C114		*	CE04KW0J331M CE04PW1H010M CE04KW1A101M CE04PW1H010M CK73GB1H103K	ELECTRO ELECTRO ELECTRO ELECTRO CHIP C	330UF 1UF 100UF 1UF 0.010UF	6.3WV 50WV 10WV 50WV K
C115,116 C117-119 C121-124 C125,126 C127-132			CK45FF1H103Z CC73GCH1H101J CC73GCH1H101J CC73GCH1H470J CC73GCH1H101J	CERAMIC CHIP C CHIP C CHIP C CHIP C	0.010UF 100PF 100PF 47PF 100PF	Z J J J J
C133 C134 C135 C136 C136			CC45FCH1H470J CC73GCH1H470J CK73GB1H103K CE04LW1H010M CE04LW1H010M	CERAMIC CHIP C CHIP C ELECTRO ELECTRO	47PF 47PF 0.010UF 1.0UF 1.0UF	J J K 50WV 50WV
C137,138 C139 C141 C201 C202			CK73GB1C393K CK73GB1H102K CE04EW0J102M CK73GB1C104K CC73GCH1H180J	CHIP C CHIP C ELECTRO CHIP C CHIP C	0.039UF 1000PF 1000UF 0.10UF 18PF	K K 6.3WV K J
C203 C204,205 C206 C207 C208			CC73GCH1H220J CK73GB1H103K CK73GB1C104K CE04LW1H220M CK73GB1H103K	CHIP C CHIP C CHIP C ELECTRO CHIP C	22PF 0.010UF 0.10UF 22UF 0.010UF	J K K 50WV K
C209 C210,211 C212 C213 C301			CK73GB1H102K CC73GCH1H101J CK73GB1H103K CE04LW1H100M CK73GB1C104K	CHIP C CHIP C CHIP C ELECTRO CHIP C	1000PF 100PF 0.010UF 10UF 0.10UF	K J K 50WV K
C303 C305 C307 C309,310 C311			CK73GB1C104K CK73GB1C104K CK73GB1C104K CK73GB1C104K CE04LW1H2R2M	CHIP C CHIP C CHIP C CHIP C ELECTRO	0.10UF 0.10UF 0.10UF 0.10UF 2.2UF	K K K K 50WV
C312 C313 C314-316 C317,318 C319,320			CK73GB1C104K CC73GCH1H030C CC73GCH1H101J CC73GCH1H331J CK73GB1H102K	CHIP C CHIP C CHIP C CHIP C CHIP C	0.10UF 3.0PF 100PF 330PF 1000PF	K C J J K

L : Scandinavia K : USA P : Canada R : Mexico C : China I : Malaysia
Y : PX(Far East,Hawaii) T : England E : Europe G : Germany V : China(Shanghai)
Y : AAFES(Europe) X : Australia Q : Russia H : Korea M : Other Areas Δ indicates safety critical components.

* New Parts
Parts without **Parts No.** are not supplied.
Les articles non mentionnés dans le **Parts No.** ne sont pas fournis.
Teile ohne **Parts No.** werden nicht geliefert.

8

Ref. No	Add-ress	New Parts	Parts No.	Description	Desti-nation	Re-marks
C321-324 C325,326 C327,328 C329 C330			CC73GCH1H331J CE04LW1H010M CE04LW1H100M CK73GB1H102K CK73GB1H222K	CHIP C ELECTRO ELECTRO CHIP C CHIP C	330PF 1.0UF 10UF 1000PF 2200PF	J 50WV 50WV K K
C331 C332 C333 C334 C335,336			CK73GB1H102K CK73GB1H222K CC73GCH1H470J CC73GCH1H101J CE04LW1H3R3M	CHIP C CHIP C CHIP C CHIP C ELECTRO	1000PF 2200PF 47PF 100PF 3.3UF	K K J J 50WV
C337 C338 C339 C341 C342			CC73GCH1H030C CE04LW1A471M CK73GB1C104K CC73GCH1H101J CC73GCH1H470J	CHIP C ELECTRO CHIP C CHIP C CHIP C	3.0PF 470UF 0.10UF 100PF 47PF	C 10WV K J J
C343 C345 C346 C349 C350,351			CK73GB1H103K CC73GCH1H101J CC73GCH1H470J CK73GB1C333K CE04LW1H2R2M	CHIP C CHIP C CHIP C CHIP C ELECTRO	0.010UF 100PF 47PF 0.033UF 2.2UF	K J J K 50WV
C352 C353 C354		*	CK73GB1H102K CE04PW1H010M CC73GCH1H100D	CHIP C ELECTRO CHIP C	1000PF 1UF 10PF	K 50WV D
CN1 CN2 CN3 CN4 CN5			E40-4918-05 E40-4916-05 E40-4916-05 E40-4632-05 E40-8320-05	FLAT CABLE CONNECTOR FLAT CABLE CONNECTOR FLAT CABLE CONNECTOR PIN ASSY PIN ASSY		
CN6 CN11 CN11 J1 J2			E40-4904-05 E40-4920-05 E40-4920-05 E70-0052-05 E63-0095-05	FLAT CABLE CONNECTOR FLAT CABLE CONNECTOR2 FLAT CABLE CONNECTORYMXTE LOCK TERMINAL BOARD PIN JACK		
J3			E63-1008-05	PIN JACK		KPYMX
E1 E1 F1 F1 F1			F10-1174-04 F10-1175-04 F06-2021-05 F06-2021-05 F50-0076-05	SHIELDING PLATE SHIELDING PLATE FUSE (SEMKO) (250V T2AL) FUSE (SEMKO) (250V T2AL) FUSE(5X20)		KPYMXT EE2 E2 YMXTE KP
F2			F06-2021-05	FUSE (SEMKO) (250V T2AL)		YM
CN7_8 CN9_10			J13-0075-05 J13-0075-05	FUSE CLIP FUSE CLIP		YM
L1 L2 T1 T1 T1			L92-0017-05 L92-0501-05 L07-2758-05 L07-2761-05 L07-2805-05	FERRITE CORE FERRITE CORE POWER TRANSFORMER POWER TRANSFORMER POWER TRANSFORMER		XTEE2 KP YM
X1 X2 X3 X4		*	L78-0294-05 L77-2173-05 L77-2002-05 L77-2292-05	RESONATOR (10.000M) CRYSTAL RESONATOR(32.768KHZ) CRYSTAL RESONATOR(4.332MHZ) CRYSTAL RESONATOR(33.8688MHZ)		TEE2

L : Scandinavia K : USA P : Canada R : Mexico C : China I : Malaysia
Y : PX(Far East,Hawaii) T : England E : Europe G : Germany V : China(Shanghai)
Y : AAFES(Europe) X : Australia Q : Russia H : Korea M : Other Areas Δ indicates safety critical components.

PARTS LIST

RXD-803/803E/853/853E/A83

* New Parts

Parts without **Parts No.** are not supplied.
Les articles non mentionnés dans le **Parts No.** ne sont pas fournis.
Teile ohne **Parts No.** werden nicht geliefert.



Ref. No	Address	New Parts	Parts No.	Description	Destination	Remarks
R1 ,2			RK73GB1J102J	CHIP R 1.0K J 1/16W		
R3 ,4			RK73GB1J104J	CHIP R 100K J 1/16W		
R5 ,6			RK73GB1J474J	CHIP R 470K J 1/16W		
R7 -10			RK73GB1J752J	CHIP R 7.5K J 1/16W		
R12			RK73GB1J221J	CHIP R 220 J 1/16W		
R14			RD14NB2E4R7J	RD 4.7 J 1/4W		
R15 ,16			RK73GB1J104J	CHIP R 100K J 1/16W	KPYMX	
R17 ,18			RK73GB1J223J	CHIP R 22K J 1/16W	KPYMX	
R19			RK73GB1J472J	CHIP R 4.7K J 1/16W	KPYMX	
R20			RK73GB1J273J	CHIP R 27K J 1/16W	KPYMX	
R21			RK73GB1J104J	CHIP R 100K J 1/16W	KPYMX	
R22			RK73GB1J473J	CHIP R 47K J 1/16W		
R23			RK73GB1J221J	CHIP R 220 J 1/16W		
R24 ,25			RK73GB1J102J	CHIP R 1.0K J 1/16W	KPYMX	
R26 ,27			RK73GB1J104J	CHIP R 100K J 1/16W	KPYMX	
R28			RK73GB1J474J	CHIP R 470K J 1/16W		
R29			RK73GB1J103J	CHIP R 10K J 1/16W	KPYMX	
R30			RK73GB1J102J	CHIP R 1.0K J 1/16W	KPYMX	
R31			RK73GB1J223J	CHIP R 22K J 1/16W	KPYMX	
R32			RK73GB1J474J	CHIP R 470K J 1/16W		
R33			RK73GB1J473J	CHIP R 47K J 1/16W		
R37 ,38			RK73GB1J102J	CHIP R 1.0K J 1/16W		
R39 -44			RK73GB1J221J	CHIP R 220 J 1/16W		
R45			RK73GB1J103J	CHIP R 10K J 1/16W		
R46 -50			RK73GB1J221J	CHIP R 220 J 1/16W		
R51			RK73GB1J221J	CHIP R 220 J 1/16W	TEE2	
R52			RK73GB1J473J	CHIP R 47K J 1/16W	TEE2	
R53			RS14KB3D150J	FL-PROOF RS 15 J 2W		
R54 ,55			RK73GB1J473J	CHIP R 47K J 1/16W		
R56			RK73GB1J224J	CHIP R 220K J 1/16W	KPYMX	
R57 ,58			RK73FB2A472J	CHIP R 4.7K J 1/10W		
R59			RD14NB2E4R7J	RD 4.7 J 1/4W	TEE2	
R60			RK73GB1J221J	CHIP R 220 J 1/16W		
R61			RK73GB1J102J	CHIP R 1.0K J 1/16W		
R62			RK73GB1J103J	CHIP R 10K J 1/16W		
R63 -67			RK73GB1J102J	CHIP R 1.0K J 1/16W		
R71			RK73GB1J102J	CHIP R 1.0K J 1/16W		
R73			RK73FB2A101J	CHIP R 100 J 1/10W		
R74			RD14NB2E122J	RD 1.2K J 1/4W		
R75			RD14NB2E102J	RD 1.0K J 1/4W		
R77			RD14NB2E392J	RD 3.9K J 1/4W		
R78			RK73FB2A103J	CHIP R 10K J 1/10W		
R79			RD14NB2E560J	RD 56 J 1/4W		
R80			RK73GB1J473J	CHIP R 47K J 1/16W		
R81 ,82			RK73GB1J102J	CHIP R 1.0K J 1/16W	KPYMX	
R83 ,84			RK73GB1J221J	CHIP R 220 J 1/16W		
R85			RS14KB3D121J	FL-PROOF RS 120 J 2W		
R86			RD14NB2E4R7J	RD 4.7 J 1/4W		
R87 ,88			RK73GB1J471J	CHIP R 470 J 1/16W		
R89 -92			RK73GB1J222J	CHIP R 2.2K J 1/16W		
R93 ,94			RK73GB1J470J	CHIP R 47 J 1/16W		
R95 -98			RK73GB1J104J	CHIP R 100K J 1/16W		
R99			RD14NB2E821J	RD 820 J 1/4W		
R101			RD14BB2C102J	RD 1.0K J 1/6W		
R102			RK73FB2A563J	CHIP R 56K J 1/10W	XTEE2	

L : Scandinavia K : USA P : Canada R : Mexico C : China I : Malaysia
Y : PX(Far East,Hawaii) T : England E : Europe G : Germany V : China(Shanghai)
Y : AAFES(Europe) X : Australia Q : Russia H : Korea M : Other Areas Δ indicates safety critical components.

* New Parts

Parts without **Parts No.** are not supplied.
Les articles non mentionnés dans le **Parts No.** ne sont pas fournis.
Teile ohne **Parts No.** werden nicht geliefert.



Ref. No	Address	New Parts	Parts No.	Description	Destination	Remarks
R102			RK73FB2A623J	CHIP R 62K J 1/10W		KP
R102			RK73FB2A913J	CHIP R 91K J 1/10W		YM
R103			RS14KB3D331J	FL-PROOF RS 330 J 2W		KPYM
R109			RK73GB1J102J	CHIP R 1.0K J 1/16W		
R113			RK73GB1J104J	CHIP R 100K J 1/16W		
R115			R92-1844-05	CARBON 3.3M J 1/2W		KP
R117			RS14KB3D271J	FL-PROOF RS 270 J 2W		KPYM
R201			RK73GB1J101J	CHIP R 100 J 1/16W		
R202			RK73GB1J103J	CHIP R 10K J 1/16W		YM
R203-205			RK73GB1J101J	CHIP R 100 J 1/16W		
R206			RK73GB1J101J	CHIP R 100 J 1/16W		TEE2
R207			RK73GB1J473J	CHIP R 47K J 1/16W		
R208			RK73FB2A475J	CHIP R 4.7M J 1/10W		
R209			RK73GB1J104J	CHIP R 100K J 1/16W		
R210			RK73GB1J105J	CHIP R 1.0M J 1/16W		
R211			RK73GB1J101J	CHIP R 100 J 1/16W		
R212			RK73GB1J473J	CHIP R 47K J 1/16W		
R213			RK73GB1J101J	CHIP R 100 J 1/16W		
R214			RK73GB1J103J	CHIP R 10K J 1/16W		
R215,216			RK73GB1J221J	CHIP R 220 J 1/16W		
R217,218			RK73GB1J101J	CHIP R 100 J 1/16W		
R219,220			RK73GB1J221J	CHIP R 220 J 1/16W		
R221			RK73GB1J222J	CHIP R 2.2K J 1/16W		
R228-236			RK73GB1J101J	CHIP R 100 J 1/16W		
R240-243			RK73GB1J472J	CHIP R 4.7K J 1/16W		
R245			RK73GB1J473J	CHIP R 47K J 1/16W		
R246-248			RK73GB1J221J	CHIP R 220 J 1/16W		
R249			RK73GB1J101J	CHIP R 100 J 1/16W		
R250			RK73GB1J133J	CHIP R 13K J 1/16W		T
R250			RK73GB1J393J	CHIP R 39K J 1/16W		YM
R250			RK73GB1J472J	CHIP R 4.7K J 1/16W		X
R250			RK73GB1J822J	CHIP R 8.2K J 1/16W		EE2
R250			RK73GB1J913J	CHIP R 91K J 1/16W		KP
R251			RK73GB1J103J	CHIP R 10K J 1/16W		
R252,253			RK73GB1J473J	CHIP R 47K J 1/16W		
R254			RK73FB2A471J	CHIP R 470 J 1/10W		
R255			RK73FB2A562J	CHIP R 5.6K J 1/10W		
R256			RK73FB2A473J	CHIP R 47K J 1/10W		
R257			RK73GB1J102J	CHIP R 1.0K J 1/16W		
R258			RK73GB1J821J	CHIP R 820 J 1/16W		
R259			RK73GB1J103J	CHIP R 10K J 1/16W		
R260			RK73GB1J152J	CHIP R 1.5K J 1/16W		
R261			RK73GB1J103J	CHIP R 10K J 1/16W		
R262			RK73GB1J152J	CHIP R 1.5K J 1/16W		
R263			RK73FB2A471J	CHIP R 470 J 1/10W		
R264			RK73FB2A473J	CHIP R 47K J 1/10W		
R265			RK73FB2A562J	CHIP R 5.6K J 1/10W		
R266			RK73GB1J152J	CHIP R 1.5K J 1/16W		
R268			RK73GB1J103J	CHIP R 10K J 1/16W		E2
R268			RK73GB1J103J	CHIP R 10K J 1/16W		KPXTE
R269,270			RK73GB1J101J	CHIP R 100 J 1/16W		
R301,302			RK73GB1J223J	CHIP R 22K J 1/16W		
R303,304			RK73GB1J153J	CHIP R 15K J 1/16W		
R305,306			RK73GB1J333J	CHIP R 33K J 1/16W		
R307,308			RK73GB1J105J	CHIP R 1.0M J 1/16W		

L : Scandinavia K : USA P : Canada R : Mexico C : China I : Malaysia
Y : PX(Far East,Hawaii) T : England E : Europe G : Germany V : China(Shanghai)
Y : AAFES(Europe) X : Australia Q : Russia H : Korea M : Other Areas Δ indicates safety critical components.

PARTS LIST

RXD-803/803E/853/853E/A83

* New Parts

Parts without **Parts No.** are not supplied.Les articles non mentionnés dans le **Parts No.** ne sont pas fournis.Teile ohne **Parts No.** werden nicht geliefert.

11

Ref. No	Add-ress	New Parts	Parts No.	Description	Desti-nation	Re-marks
R309,310			RK73GB1J332J	CHIP R 3.3K J 1/16W		
R311-314			RK73GB1J103J	CHIP R 10K J 1/16W		
R315,316			RK73GB1J123J	CHIP R 12K J 1/16W		
R317,318			RK73GB1J153J	CHIP R 15K J 1/16W		
R319			RD14NB2E470J	RD 47 J 1/4W		
R320			RK73GB1J472J	CHIP R 4.7K J 1/16W		
R323,324			RK73GB1J122J	CHIP R 1.2K J 1/16W		
R325,326			RK73GB1J562J	CHIP R 5.6K J 1/16W		
R327,328			RK73GB1J822J	CHIP R 8.2K J 1/16W		
R329,330			RK73GB1J473J	CHIP R 47K J 1/16W		
R331,332			RK73GB1J104J	CHIP R 100K J 1/16W		
R333-336			RK73GB1J221J	CHIP R 220 J 1/16W		
R337			RK73GB1J473J	CHIP R 47K J 1/16W		
R338			RK73GB1J101J	CHIP R 100 J 1/16W		
R339-342			RK73GB1J104J	CHIP R 100K J 1/16W		
R343			RK73GB1J103J	CHIP R 10K J 1/16W		
R344,345			RD14NB2E1R0J	RD 1 J 1/4W		
R346			RK73GB1J105J	CHIP R 1.0M J 1/16W		
W301			R92-1252-05	CHIP R 0 OHM		
△ K1			S76-0099-05	MAGNETIC RELAY	YM	
△ S1			S62-0001-05	SLIDE SWITCH		
△ D1 -9			HSS104A	DIODE	KPYM	
△ D1 -9			1SS133	DIODE	KPYM	
△ D10			S5688B	DIODE		
△ D10			1SR139-400	DIODE		
△ D11			HSS104A	DIODE		
D11			1SS133	DIODE		
D12 ,13			RB721Q	DIODE		
D14			HSS104A	DIODE		
D14			1SS133	DIODE		
D15			HZS3.9N(B2)	ZENER DIODE		
D15			MTZJ3.9(B)	ZENER DIODE		
D17			HSS104A	DIODE	E2	
D17			1SS133	DIODE	YMXT E	
D18			RB721Q	DIODE		
D18			RB721Q	DIODE		
D19			HZS4.7N(B2)	ZENER DIODE		
D19			MTZJ4.7(B)	ZENER DIODE		
D20			HZS5.6N(B2)	ZENER DIODE		
D20			MTZJ5.6(B)	ZENER DIODE		
D21			HZS10N(B2)	ZENER DIODE		
D21			MTZJ10(B)	ZENER DIODE		
D22			HZS24N(B2)	ZENER DIODE		
D22			MTZJ24(B)	ZENER DIODE		
D23 ,24			RB721Q	DIODE		
D25			HZS6.2N(B2)	ZENER DIODE		
△ IC1			MTZJ6.2(B)	ZENER DIODE	KP	
IC2			XC62FP5102P	ANALOGUE IC		
IC4		*	S-80840ANY	ANALOGUE IC	E2	
IC5			M30622MC-A70FP	MI-COM IC		
			BA05T	ANALOGUE IC	YMXT E	
△ IC5			BA05T	ANALOGUE IC		
IC11			M62498AFP	ANALOGUE IC	TEE2	
IC12			BU1923F	ANALOGUE IC		

L : Scandinavia K : USA P : Canada R : Mexico C : China I : Malaysia

Y : PX(Far East,Hawaii) T : England E : Europe G : Germany V : China(Shanghai)

Y : AAFES(Europe) X : Australia Q : Russia H : Korea M : Other Areas △ indicates safety critical components .

* New Parts

Parts without **Parts No.** are not supplied.Les articles non mentionnés dans le **Parts No.** ne sont pas fournis.Teile ohne **Parts No.** werden nicht geliefert.

12

Ref. No	Add-ress	New Parts	Parts No.	Description	Desti-nation	Re-marks
IC13		*	LC75342M	ANALOGUE IC		
IC14			CXD2718AQ	MOS-IC		
IC15			TC74HC166AF	MOS-IC		
IC16			BU2090F	ANALOGUE IC		
IC17,18			NJM4580ED	ANALOGUE IC		
IC19			NJM4580E	ANALOGUE IC	KPYMX	
IC20			NJM4580E	ANALOGUE IC		
Q1 ,2			DTC143TUA	DIGITAL TRANSISTOR		
Q1 ,2			UN5216	DIGITAL TRANSISTOR		
Q3			2SB1412F5(Q,R)	TRANSISTOR		
Q4			DTC124EUA	DIGITAL TRANSISTOR		
Q4			UN5212	DIGITAL TRANSISTOR		
Q5			KTA1268	TRANSISTOR		
Q5			2SA992(F,E)	TRANSISTOR		
Q6			2SC2003(L,K)	TRANSISTOR		
Q7			KTC3199(Y,GR)	TRANSISTOR		
Q7			2SC2785(F,E)	TRANSISTOR		
Q8			2SC3940A(R,S)	TRANSISTOR		
Q9			DTA114EUA	DIGITAL TRANSISTOR		
Q9			UN5111	DIGITAL TRANSISTOR		
Q10 ,11			2SA1576A(R,S)	TRANSISTOR		
Q10 ,11			2SB1218A(Q,R)	TRANSISTOR		
Q12			2SC4081(R,S)	TRANSISTOR		
Q12			2SD1819A(Q,R)	TRANSISTOR		
Q13			DTA114EUA	DIGITAL TRANSISTOR		
Q13			UN5111	DIGITAL TRANSISTOR		
A1		*	W02-2743-05	TUNER ASSY	KP	
A1		*	W02-2744-05	TUNER ASSY	YM	
A1		*	W02-2745-05	TUNER ASSY	T	
A1		*	W02-2746-05	TUNER ASSY	X	
A1		*	W02-2747-05	TUNER ASSY	EE2	
A2			W02-1114-15	OSCILLATING MODULE	E2	
A2			W02-1114-15	OSCILLATING MODULE	YMXT E	
DISPLAY UNIT (X14-7190-10)						
D2 -6			B30-2567-05	LED(RED(80) HI-BR)		
C1 ,2			CK45FB1H102K	CERAMIC 1000PF	K	
C3		*	CE04PW1A101M	ELECTRO 100UF	10WV	
C4		*	CE04PW1A470M	ELECTRO 47UF	10WV	
C5 ,6			CK45FB1H102K	CERAMIC 1000PF	K	
C7			CC45FCH1H330J	CERAMIC 33PF	J	
C8			CK45FB1H102K	CERAMIC 1000PF	K	
C10			CK45FB1H102K	CERAMIC 1000PF	K	
C11 ,12		*	CE04PW1H010M	ELECTRO 1UF	50WV	
C13 ,14			CK45FF1H103Z	CERAMIC 0.010UF	Z	
C15			CK45FB1H222K	CERAMIC 2200PF	K	
C16			CC45FSL1H331J	CERAMIC 330PF	J	
CN2		*	E40-8488-05	FLAT CABLE CONNECTOR		
J1			E11-0280-05	PHONE JACK (1P BLK)		
-		*	J19-6052-13	HOLDER		
△ R52			RD14NB2E1R0J	RD 1 J 1/4W		

L : Scandinavia K : USA P : Canada R : Mexico C : China I : Malaysia

Y : PX(Far East,Hawaii) T : England E : Europe G : Germany V : China(Shanghai)

Y : AAFES(Europe) X : Australia Q : Russia H : Korea M : Other Areas △ indicates safety critical components .

* New Parts
Parts without **Parts No.** are not supplied.
Les articles non mentionnés dans le **Parts No.** ne sont pas fournis.
Teile ohne **Parts No.** werden nicht geliefert.

13

Ref. No	Add-ress	New Parts	Parts No.	Description	Desti-nation	Re-marks
S1 -23			S70-0031-05	TACT SWITCH		
S24		*	T99-0634-05	ROTARY ENCODER		
S25		*	T99-0635-05	ROTARY ENCODER		
D1			HZS6.2N(B2)	ZENER DIODE		
D1			MTZJ6.2(B)	ZENER DIODE		
ED1		*	HNA-15MM18T	FLUORESCENT INDICATOR TUBE		
IC1		*	LC75711NED	MOS-IC		
Q1 -5			KTC3199(Y,GR)	TRANSISTOR		
Q1 -5			2SC2785(F,E)	TRANSISTOR		
A1		*	W02-2734-05	OPTIC RECEIVING MODULE		
RECORD/PLAYBACK UNIT (X28-307X-XX)						
C1 ,2			CK45FB1H102K	CERAMIC 1000PF	K	
C3 ,4			CK45FB1H821K	CERAMIC 820PF	K	
C5 -8			CE04LW1C100M	ELECTRO 10UF	16WV	
C9 ,10			CE04LW1C220M	ELECTRO 22UF	16WV	
C11 ,12			CQ93FMG1H183J	MYLAR 0.018UF	J	
C13 -16			CC45FSL1H470J	CERAMIC 47PF	J	TEE2
C17 ,18			CE04LW1C100M	ELECTRO 10UF	16WV	
C19 ,20			CE04LW1HR47M	ELECTRO 0.47UF	50WV	
C21 ,22			CE04LW1V4R7M	ELECTRO 4.7UF	35WV	
C23 ,24			CE04LW1C100M	ELECTRO 10UF	16WV	
C25 -28			CC45FSL1H221J	CERAMIC 220PF	J	
C29 ,30			CE04LW1V4R7M	ELECTRO 4.7UF	35WV	
C31 ,32			CC45FSL1H101J	CERAMIC 100PF	J	
C33 ,34			CK45FF1H47Z	CERAMIC 4700PF	Z	
C35 -38			CE04LW1V4R7M	ELECTRO 4.7UF	35WV	
C100		*	CE04PW1H010M	ELECTRO 1UF	50WV	
C101		*	CE04PW1C100M	ELECTRO 10UF	16V	
C103,104			CQ93FMG1H153J	MYLAR 0.015UF	J	
C105			CQ93FMG1H103J	MYLAR 0.010UF	J	
C106		*	CE04PW1C100M	ELECTRO 10UF	16V	
C107			CQ93HP2A103J	MYLAR 0.010UF	J	
C108,109			CK45FB1H222K	CERAMIC 2200PF	K	
C110		*	CE04PW1C100M	ELECTRO 10UF	16V	T
C111		*	CE04PW1H010M	ELECTRO 1UF	50WV	
C112		*	CE04PW1C101M	ELECTRO 100UF	16WV	
C113		*	CE04PW1C470M	ELECTRO 47UF	16WV	
C114,115		*	CE04PW1V4R7M	ELECTRO 4.7UF	35WV	
C116		*	CE04PW1C100M	ELECTRO 10UF	16V	
C117		*	CE04PW1C101M	ELECTRO 100UF	16WV	
C118		*	CE04PW1C470M	ELECTRO 47UF	16WV	
C119		*	CE04PW1V4R7M	ELECTRO 4.7UF	35WV	
C120		*	CE04PW1A101M	ELECTRO 100UF	10WV	
C121		*	CE04PW1H010M	ELECTRO 1UF	50WV	
C122		*	CE04PW1V330M	ELECTRO 33UF	35WV	
CN1		*	E40-8509-05	FLAT CABLE CONNECTOR		
CN2		*	E40-8502-05	FLAT CABLE CONNECTOR		
E1 -3			J11-0808-05	WIRE CLAMPER		
L1 ,2			L40-1035-20	SMALL FIXED INDUCTOR(10MH,J)		
L3			L32-1022-05	BIAS OSCILATING COIL		
L4			L40-1001-82	SMALL FIXED INDUCTOR(10UH)		

L : Scandinavia K : USA P : Canada R : Mexico C : China I : Malaysia
Y : PX(Far East,Hawaii) T : England E : Europe G : Germany V : China(Shanghai)
Y : AAFES(Europe) X : Australia Q : Russia H : Korea M : Other Areas Δ indicates safety critical components.

* New Parts
Parts without **Parts No.** are not supplied.
Les articles non mentionnés dans le **Parts No.** ne sont pas fournis.
Teile ohne **Parts No.** werden nicht geliefert.

14

Ref. No	Add-ress	New Parts	Parts No.	Description	Desti-nation	Re-marks
Δ R118			RD14NB2E100J	RD 10	J	1/4W
Δ R125			RD14NB2E101J	RD 100	J	1/4W
Δ R127			RD14NB2E121J	RD 120	J	1/4W
VR1 ,2		*	R12-6013-05	TRIMMING POT.(330K)		
VR3 ,4			R12-3103-05	TRIMMING POT.(47K)		
VR5			R12-1073-05	TRIMMING POT.(4.7K)		
D1 -4			HSS104A	DIODE		
D1 -4			1SS133	DIODE		
D5			HZS5.1N(B2)	ZENER DIODE		
D5			MTZJ5.1(B)	ZENER DIODE		
IC1			CXA1498S	ANALOGUE IC		
IC2			BA3126N	ANALOGUE IC		
IC3			NJM4565L	ANALOGUE IC		
Q1 -3			2SA1286-T11	TRANSISTOR		
Q4 -9			KRC103M	DIGITAL TRANSISTOR		
Q4 -9			UN4212	DIGITAL TRANSISTOR		
Q10			KTC3205	TRANSISTOR		
Q10			2SC3940A(R,S)	TRANSISTOR		
Q11 ,12			KTC3199(Y,GR)	TRANSISTOR		
Q11 ,12			2SC2785(F,E)	TRANSISTOR		
Q13 ,14			KTC3200	TRANSISTOR		
Q13 ,14			2SC1845(F,E)	TRANSISTOR		
Q15			KRA103M	DIGITAL TRANSISTOR		
Q15			UN4112	DIGITAL TRANSISTOR		
Q16			KRC103M	DIGITAL TRANSISTOR		
Q16			UN4212	DIGITAL TRANSISTOR		
Q17 ,18			2SC2878(B)	TRANSISTOR		
Q19 ,20			KRC103M	DIGITAL TRANSISTOR		
Q19 ,20			UN4212	DIGITAL TRANSISTOR		
Q21 ,22			DTC143TSA	DIGITAL TRANSISTOR		
Q21 ,22			UN4216	DIGITAL TRANSISTOR		
Q23			KRA103M	DIGITAL TRANSISTOR		
Q23			UN4112	DIGITAL TRANSISTOR		
Q24			KRC103M	DIGITAL TRANSISTOR		
Q24			UN4212	DIGITAL TRANSISTOR		
CD MECHANISM UNIT (X32-380X-XX)						
C1 ,2			CK73GB1C104K	CHIP C 0.10UF	K	
C6			CC73GCH1H221J	CHIP C 220PF	J	
C7			CK73GB1C104K	CHIP C 0.10UF	K	
C8			CC73GCH1H331J	CHIP C 330PF	J	
C9			CK73GB1H223K	CHIP C 0.022UF	K	
C11			CK73GB1C104K	CHIP C 0.10UF	K	
C12			CK73GB1H223K	CHIP C 0.022UF	K	
C13			CK73GB1E333K	CHIP C 0.033UF	K	
C15			CC73GCH1H561J	CHIP C 560PF	J	
C16			CE04LW1A101M	ELECTRO 100UF	10WV	
C17			CK73GB1H153K	CHIP C 0.015UF	K	
C18			CK73GB1C104K	CHIP C 0.10UF	K	
C19			CE04LW1A101M	ELECTRO 100UF	10WV	
C20			CC73GCH1H331J	CHIP C 330PF	J	
C22			CK73GB1H223K	CHIP C 0.022UF	K	
C23 ,24			CE04KW1H2R2M	ELECTRO 2.2UF	50WV	
C25			CE04LW1A101M	ELECTRO 100UF	10WV	
C26			CE04LW1H4R7M	ELECTRO 4.7UF	50WV	

L : Scandinavia K : USA P : Canada R : Mexico C : China I : Malaysia
Y : PX(Far East,Hawaii) T : England E : Europe G : Germany V : China(Shanghai)
Y : AAFES(Europe) X : Australia Q : Russia H : Korea M : Other Areas Δ indicates safety critical components.

PARTS LIST

RXD-803/803E/853/853E/A83

* New Parts

Parts without **Parts No.** are not supplied.Les articles non mentionnés dans le **Parts No.** ne sont pas fournis.Teile ohne **Parts No.** werden nicht geliefert.

Ref. No	Add-ress	New Parts	Parts No.	Description	Desti-nation	Re-marks
C27			CK73GB1H222K	CHIP C 2200PF K		
C28			CQ93FMG1H223J	MYLAR 0.022UF J		
C29			CK73GB1H562K	CHIP C 5600PF K		
C30			CK73GB1H222K	CHIP C 2200PF K		
C31			CE04LW1H2R2M	ELECTRO 2.2UF 50WV		
C32			CQ93FMG1H104J	MYLAR 0.10UF J		
C33			CK73GB1H102K	CHIP C 1000PF K		
C34			CK73GB1C104K	CHIP C 0.10UF K		
C35			CQ93FMG1H223J	MYLAR 0.022UF J		
C36			CK73GB1H223K	CHIP C 0.022UF K		
C37			CF92FV1H564J	MF-C 0.56UF J		
C38			CE04LW1A101M	ELECTRO 100UF 10WV		
C39			CQ93FMG1H122J	MYLAR 1200PF J		
C40			CE04KW1A221M	ELECTRO 220UF 10WV		
C42			CK73GB1H102K	CHIP C 1000PF K		
C43 ,44			CC73GCH1H560J	CHIP C 56PF J	YMXTEE2	
C45			CE04LW1E470M	ELECTRO 47UF 25WV		
C46			CE04LW1HR33M	ELECTRO 0.33UF 50WV		
C49 ,50			CC73GCH1H221J	CHIP C 220PF J		
C51 ,52			CK73GB1C104K	CHIP C 0.10UF K		
C53			CE04LW1E221M	ELECTRO 220UF 25WV		
C54			CE04LW1A101M	ELECTRO 100UF 10WV		
C55			CK73GB1H102K	CHIP C 1000PF K		
CN1		*	E40-8621-05	FLAT CABLE CONNECTOR		
CN2			E40-3264-05	PIN ASSY		
CN3		*	E40-8508-05	FLAT CABLE CONNECTOR	KP	
CN4 ,5		*	E40-8531-05	FLAT CABLE CONNECTOR		
CN6			E40-3262-05	PIN ASSY		
CN7		*	E40-8510-05	FLAT CABLE CONNECTOR	YMXTEE2	
L1			L40-1001-31	SMALL FIXED INDUCTOR(10UH,K)		
X1			L77-2190-05	CRYSTAL RESONATOR(16.9344MHZ)	YMXTEE2	
X1			L78-0299-05	RESONATOR (16.93M)	KP	
R2 -5			RK73GB1J683J	CHIP R 68K J 1/16W		
R6			RK73GB1J910J	CHIP R 91 J 1/16W		
R7 -9			RK73GB1J683J	CHIP R 68K J 1/16W		
R10			RK73GB1J104J	CHIP R 100K J 1/16W		
R11 ,12			RK73GB1J334J	CHIP R 330K J 1/16W		
R13			RK73GB1J563J	CHIP R 56K J 1/16W		
R16			RK73GB1J333J	CHIP R 33K J 1/16W		
R17			RK73GB1J473J	CHIP R 47K J 1/16W		
R18			RK73GB1J331J	CHIP R 330 J 1/16W		
R19			RK73GB1J102J	CHIP R 1.0K J 1/16W		
R20			RK73GB1J222J	CHIP R 2.2K J 1/16W		
R21			RK73GB1J163J	CHIP R 16K J 1/16W		
R22			RK73GB1J222J	CHIP R 2.2K J 1/16W		
R23			RK73GB1J273J	CHIP R 27K J 1/16W		
R24			RK73GB1J752J	CHIP R 7.5K J 1/16W		
R25			RK73GB1J333J	CHIP R 33K J 1/16W		
R26			RK73GB1J103J	CHIP R 10K J 1/16W		
R27			RK73GB1J104J	CHIP R 100K J 1/16W		

L : Scandinavia

K : USA

P : Canada

R : Mexico

C : China

I : Malaysia

Y : PX(Far East,Hawaii)

T : England

E : Europe

G : Germany

V : China(Shanghai)

Y : AAFES(Europe)

X : Australia

Q : Russia

H : Korea

M : Other Areas

⚠ indicates safety critical components.

* New Parts

Parts without **Parts No.** are not supplied.Les articles non mentionnés dans le **Parts No.** ne sont pas fournis.Teile ohne **Parts No.** werden nicht geliefert.

Ref. No	Add-ress	New Parts	Parts No.	Description	Desti-nation	Re-marks
R29			RK73GB1J100J	CHIP R 10 J 1/16W		
R30			RK73GB1J473J	CHIP R 47K J 1/16W		
R31 ,32			RK73GB1J101J	CHIP R 100 J 1/16W		
R33			RK73GB1J102J	CHIP R 1.0K J 1/16W		
R34			RK73GB1J473J	CHIP R 47K J 1/16W		
R35			RK73GB1J123J	CHIP R 12K J 1/16W		
R37			RK73GB1J102J	CHIP R 1.0K J 1/16W		
R38			RK73GB1J333J	CHIP R 33K J 1/16W		
R39			RK73GB1J105J	CHIP R 1.0M J 1/16W		
R40			RK73GB1J221J	CHIP R 220 J 1/16W		
R41			RK73GB1J102J	CHIP R 1.0K J 1/16W		
R43			RK73GB1J333J	CHIP R 33K J 1/16W		
R44			RK73GB1J102J	CHIP R 1.0K J 1/16W		
R46			RK73GB1J102J	CHIP R 1.0K J 1/16W		
R48			RK73GB1J102J	CHIP R 1.0K J 1/16W		
R49			RK73GB1J220J	CHIP R 22 J 1/16W	YMXTEE2	
R50			RK73GB1J101J	CHIP R 100 J 1/16W		
R51			RK73GB1J121J	CHIP R 120 J 1/16W		
R52			RK73GB1J105J	CHIP R 1.0M J 1/16W		
R54			RK73GB1J184J	CHIP R 180K J 1/16W		
R59			RK73GB1J272J	CHIP R 2.7K J 1/16W		
R100-102			RK73GB1J101J	CHIP R 100 J 1/16W		
R103,104			RK73GB1J333J	CHIP R 33K J 1/16W		
R105,106			RK73GB1J102J	CHIP R 1.0K J 1/16W		
W101,102			R92-0670-05	CHIP R 0 OHM		
S1 ,2			S64-0028-05	LEVER SWITCH		
D1 ,2		*	SIR-34ST3F(KL)	INFRARED LED		
D3			HSS104A	DIODE		
D3			1SS133	DIODE		
IC1			AN8806SB	ANALOGUE IC		
IC2		*	MN35520	MOS-IC		
IC2			MN662748RPMFA	MOS-IC		
IC3			BA5936S	ANALOGUE IC		
PH1 ,2		*	RPT-37PB3F(MN)	PHOTO TRANSISTOR		
Q1			2SA954(L,K)	TRANSISTOR		
Q2		*	KTA1046	TRANSISTOR		
Q2			2SB1370	TRANSISTOR		
Q2			2SB1375	TRANSISTOR		
CD MECHANISM (D40-1662/1668-15)						
3	2A,3A		D14-0361-08	ROLLER(TRAY)		
4	1A	*	D13-1969-08	GEAR(PULLEY)		
5	1A	*	D13-1970-08	GEAR(IDLER)		
6	1A	*	D13-1971-08	GEAR(LOAD)		
8	2A	*	D10-3927-08	ARM(SW)		
9	1A	*	J99-0818-08	YRAY(ROTARY)		
12	1B	*	D13-1973-08	GEAR(HLICAL)		
13	2A	*	J11-0854-08	CLAMPER		
15	3B	*	J19-6046-08	HOLDER(TU)		
17	2A	*	A10-3501-08	CHASSIS		
18	1B	*	J99-0817-08	TRAY(SLIDE)		
19	1A	*	D16-0742-08	BELT(LOADING)		
20	3B	*	J02-1174-08	INSULATOR 37 DARK GREEN		
21	3B	*	J02-1175-08	INSULATOR 25 LIGHT GREEN		
22	2B	*	D16-0743-08	BELT(ROTARY)		

L : Scandinavia

K : USA

P : Canada

R : Mexico

C : China

I : Malaysia

Y : PX(Far East,Hawaii)

T : England

E : Europe

G : Germany

V : China(Shanghai)

Y : AAFES(Europe)

X : Australia

Q : Russia

H : Korea

M : Other Areas

⚠ indicates safety critical components.

HOW TO READ THE PARTS LIST

ABBREVIATION OF MODEL AND MASS PRODUCTION'S DESTINATIONS

MODEL	CNT	Australia	Canada	China	England	Europe	Germany	Korea	Malaysia
	ABB.	X	P	C	T	E	G	H	I
RXD-803		-	-	-	-	E	-	-	-
RXD-803E		-	-	-	-	E2	-	-	-
RXD-853		X	-	-	T	E	-	-	-
RXD-853E		-	-	-	-	E2	-	-	-
RXD-A83		-	P	-	-	-	-	-	-
MODEL	CNT	Mexico	PX/AAFES	Russia	Scandinavia	Shanghai	USA	Other area	
	ABB.	R	Y	Q	L	V	K	M	
RXD-803		-	-	-	-	-	-	-	-
RXD-803E		-	-	-	-	-	-	-	-
RXD-853		-	Y	-	-	-	-	M	-
RXD-853E		-	-	-	-	-	-	-	-
RXD-A83		-	-	-	-	-	K	-	-

* New Parts

Parts without **Parts No.** are not supplied.

Les articles non mentionnés dans le **Parts No.** ne sont pas fournis.

Teile ohne **Parts No.** werden nicht geliefert.

17

Ref. No	Add-ress	New Parts	Parts No.	Description	Desti-nation	Re-marks
23	2B	*	G09-0677-08	WIRE SPRING		
24	1A,3B	*	N09-3359-08	TAP TITE SCREW(2.6X6)		
25	1A	*	N09-8014-08	SCREW		
27	3B	*	D40-1663-05	TRAVERSE UNIT(KCTB5H)		
29	3B	*	E35-2474-08	WIRE HARNESS(3P)		
30	3A,3B	*	E35-2472-08	WIRE HARNESS(6P)		
31	3A,2B	*	E35-2476-08	FFC(7P)		
32	3A,3B	*	E35-2475-08	FFC(16P)		
33	2A	*	T99-0640-08	MAGNET		
35	2A	*	D10-3947-08	ARM ASSY		
36	2B	*	D13-1998-08	GEAR ASSY		
37	3A	*	T42-0977-08	MOTOR ASSY(L)		
38	2B	*	T42-0978-08	MOTOR ASSY(R)		
39	2A	*	G11-2748-08	CUSHION		
40	2B	*	D13-2000-08	GEAR(FINAL)		
41	2B	*	S74-0090-08	LEAF SWITCH		
42	3A	*	G11-2732-04	CUSHION		
CASSETTE MECHANISM (D40-1661-15)						
401	2D	*	D16-0748-08	MAIN BELT		
402	2D	*	D16-0749-08	F/R BELT		

L : Scandinavia

K : USA

P : Canada

R : Mexico

C : China

I : Malaysia

Y : PX(Far East,Hawaii)

T : England

E : Europe

G : Germany

V : China(Shanghai)

Y : AAFES(Europe)

X : Australia

Q : Russia

H : Korea

M : Other Areas

⚠ indicates safety critical components.

PARTS LIST

RXD-803/803E/853/853E/A83

RXD-803/803E/853/853E/A83

SPECIFICATIONS

Main unit

[Amplifier section]

Rated power output
(For U.S.A. and Canada)

65 watts per channel minimum RMS, both channels driven,
at 6 Ω form 40 Hz to 15 kHz with no more than 0.9 % total
harmonic distortion. (FTC)

(For U.K. and Europe)

1 kHz, 0.7 % T.H.D., 6 Ω (DIN) 65 W + 65 W

(Other countries)

1 kHz, 1 % T.H.D., 6 Ω (RMS) 85 W + 85 W

Effective output power during SURROUND operation

(One channel driven)

(For U.S.A. and Canada)

FRONT(1 kHz, 10 % T.H.D., 6 Ω) (RMS) 110 W + 110 W

CENTER(1 kHz, 10 % T.H.D., 6 Ω) (RMS) 35 W

REAR(1 kHz, 10 % T.H.D., 12 Ω) ... (RMS) 17.5 W + 17.5 W

(Other countries)

FRONT(1 kHz, 10 % T.H.D., 6 Ω) (RMS) 100 W + 100 W

CENTER(1 kHz, 10 % T.H.D., 6 Ω) (RMS) 35 W

REAR(1 kHz, 10 % T.H.D., 12 Ω) ... (RMS) 17.5 W + 17.5 W

Effective Music power (DIN) (One channel driven)

(For U.K. and Europe)

FRONT 200 W + 200 W

CENTER 50 W

REAR 25 W + 25 W

Signal to noise ratio

DVD/VIDEO INPUT 92 dB (IHF' 66)

Input sensitivity / impedance

DVD/MD INPUT 270 mV / 47 k Ω

(Except for U.K. and Europe)

6ch. FRONT (L/R) 430 mV / 33 k Ω

6ch. CENTER 240 mV / 22 k Ω

6ch. SURROUND (L/R) 240 mV / 33 k Ω

6ch. SUB WOOFER 47 mV / 33 k Ω

Output Level / impedance

SUPER WOOFER 2.0V / 600 k Ω

[Tuner section]

FM tuner section

Tuning frequency range 87.5 MHz ~ 108 MHz

MW (AM) Tuner section

Tuning frequency range

(For U.S.A. and Canada) 530 kHz ~ 1,700 kHz

(For U.K. and Europe) 531 kHz ~ 1,602 kHz

(Other countries)

9 kHz step 531 kHz ~ 1,602 kHz

10 kHz step 530 kHz ~ 1,610 kHz

LW Tuner section(For U.K.)

Tuning frequency range 153 kHz ~ 279 kHz

[Cassette deck section]

Track 4-track, 2-channel stereo

Recording system AC bias system

(Frequency: 105 kHz)

Heads

A deck Playback head 1

B deck Playback / recording head 1

Erasing head 1

Fast winding time Approx. 115 seconds

(C-60 tape)

[CD player section]

Laser wave length..... 770 to 795 nm

Laser power class Class 3A

Wow & Flutter Less than unmeasurable Limit

(Except for U.S.A. and Canada)

Digital output (Optical) - 15 dBm ~ - 21 dBm

(Wave length 660 nm)

[General]

Power consumption 150 W

Dimensions W : 270 mm (10-5/8")

H : 330 mm (13")

D : 390 mm (15-3/8")

Weight (net) 8.3 kg (18.3 lb)



1. KENWOOD follows a policy of continuous advancements in development. For this reason specifications may be changed without notice.
2. Sufficient performance may not be possible at very low temperatures (0°C or less).

Note:

Component and circuit are subject to modification to insure best operation under differing local conditions. This manual is based on Europe (E) standard, and provides information on regional circuit modification through use of alternate schematic diagrams, and information on regional component variations through use of parts list.

KENWOOD CORPORATION

14-6, Dogenzaka 1-chome, Shibuya-ku, Tokyo, 150-8501 Japan

KENWOOD SERVICE CORPORATION

P.O BOX 22745, 2201 East Dominguez St., Long Beach, CA 90801-5745, U.S.A.

KENWOOD ELECTRONICS CANADA INC.

6070 Kestrel Road, Mississauga, Ontario, Canada L5T 1S8

KENWOOD ELECTRONICS LATIN AMERICA S.A.

P.O BOX 55-2791, Piso 6 plaza Chase, Cl. 47 y Aquilino de la Guardia Panama, Republic de Panama

KENWOOD ELECTRONICS BRASIL LTDA.

Av. Moema, 170-17, Andar-Cobertura "B", Ed. Maximum Service Center, 04077-020 Moema, São Paulo-SP-Brasil

KENWOOD ELECTRONICS U.K. LIMITED

KENWOOD House, Dwight Road, Watford, Herts., WD1 8EB., United Kingdom

KENWOOD ELECTRONICS BELGIUM N.V.

Meachelsesteenweg 418, B-1930 Zaventem, Belgium

KENWOOD ELECTRONICS DEUTSCHLAND GMBH

Rembrücker Str. 15, 63150 Heusenstamm, Germany

KENWOOD ELECTRONICS FRANCE S.A.

13 Boulevard Ney, 75018 Paris, France

KENWOOD ELECTRONICS ITALIA S.p.A.

Via G. Sirtori, 7/9 20129, Milano, Italy

KENWOOD IBÉRICA S.A.

Bolivia, 239-08020 Barcelona, Spain

KENWOOD ELECTRONICS AUSTRALIA PTY. LTD.

(A.C.N. 001 499 074)

16 Giffnock Avenue, North Ryde, N.S.W. 2113, Australia

KENWOOD ELECTRONICS (HONG KONG) LTD.

Unit 3712-3724, Level 37, Tower 1, Metroplaza, 223 Hing Fong Road, Kwai Fong N.T., Hong Kong

KENWOOD ELECTRONICS GULF FZE

P.O.Box 61318, Jebel Ali, Dubai, U.A.E.

KENWOOD ELECTRONICS SINGAPORE PTE LTD.

No. 1 Genting Lane #02-02, KENWOOD Building, Singapore, 349544

KENWOOD ELECTRONICS (MALAYSIA) SDN BHD.

#4.01 Level 4, Wisma Academy Lot 4A, Jalan 19/1 46300 Petaling Jaya Selangor Darul Ehsan Malaysia

KENWOOD ELECTRONICS (THAILAND) CO., LTD.

2019 New Pechburi Road, Bangkapi, Huaykwang, Bangkok, 10320 Thailand