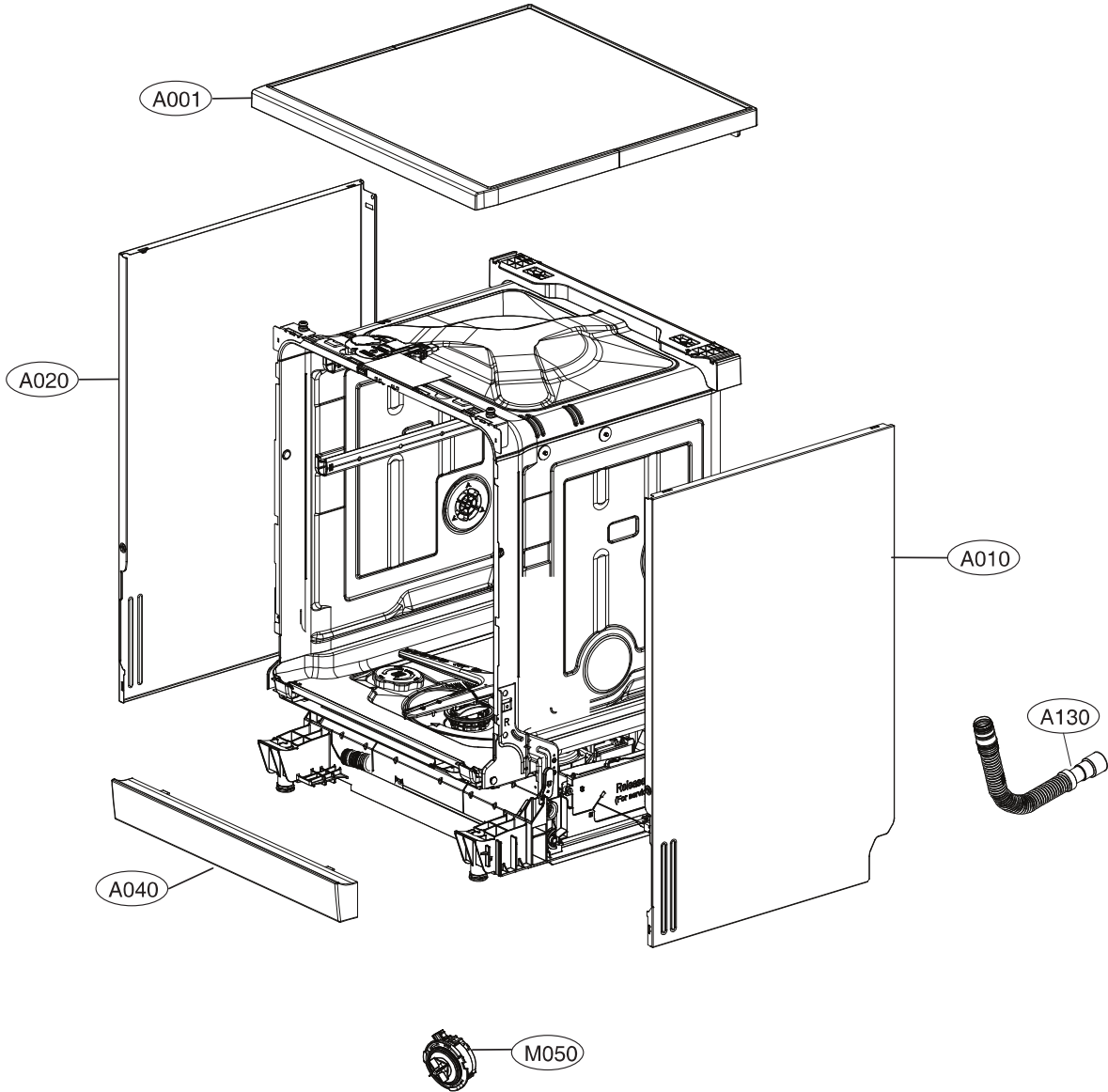





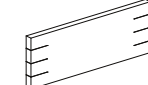

# 9. EXPLODED VIEW

XD90\*\*, XD89\*\*, XD88\*\*, XD77\*, XD74\*, XD64\*

DF212\*\*, DF415\*\*\*

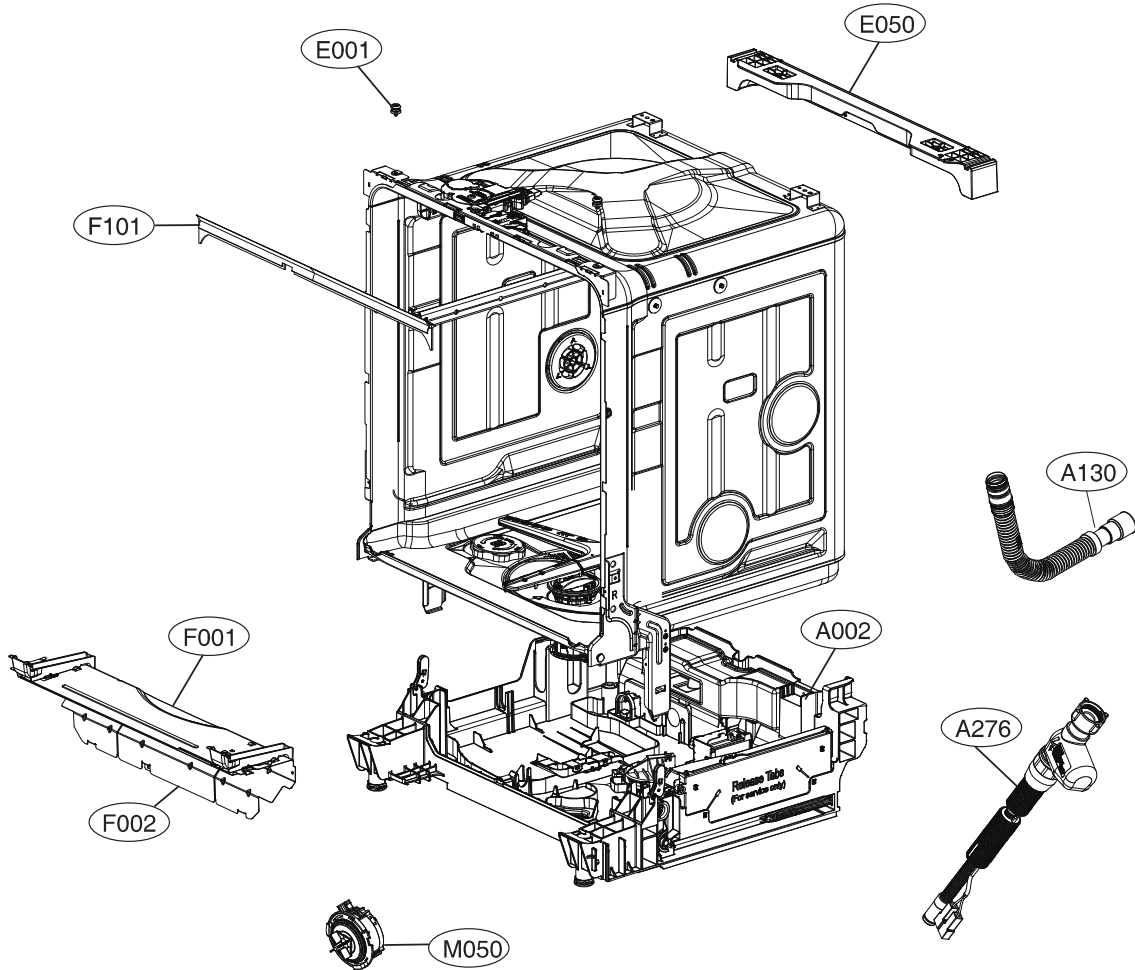
## ■ Exploded View



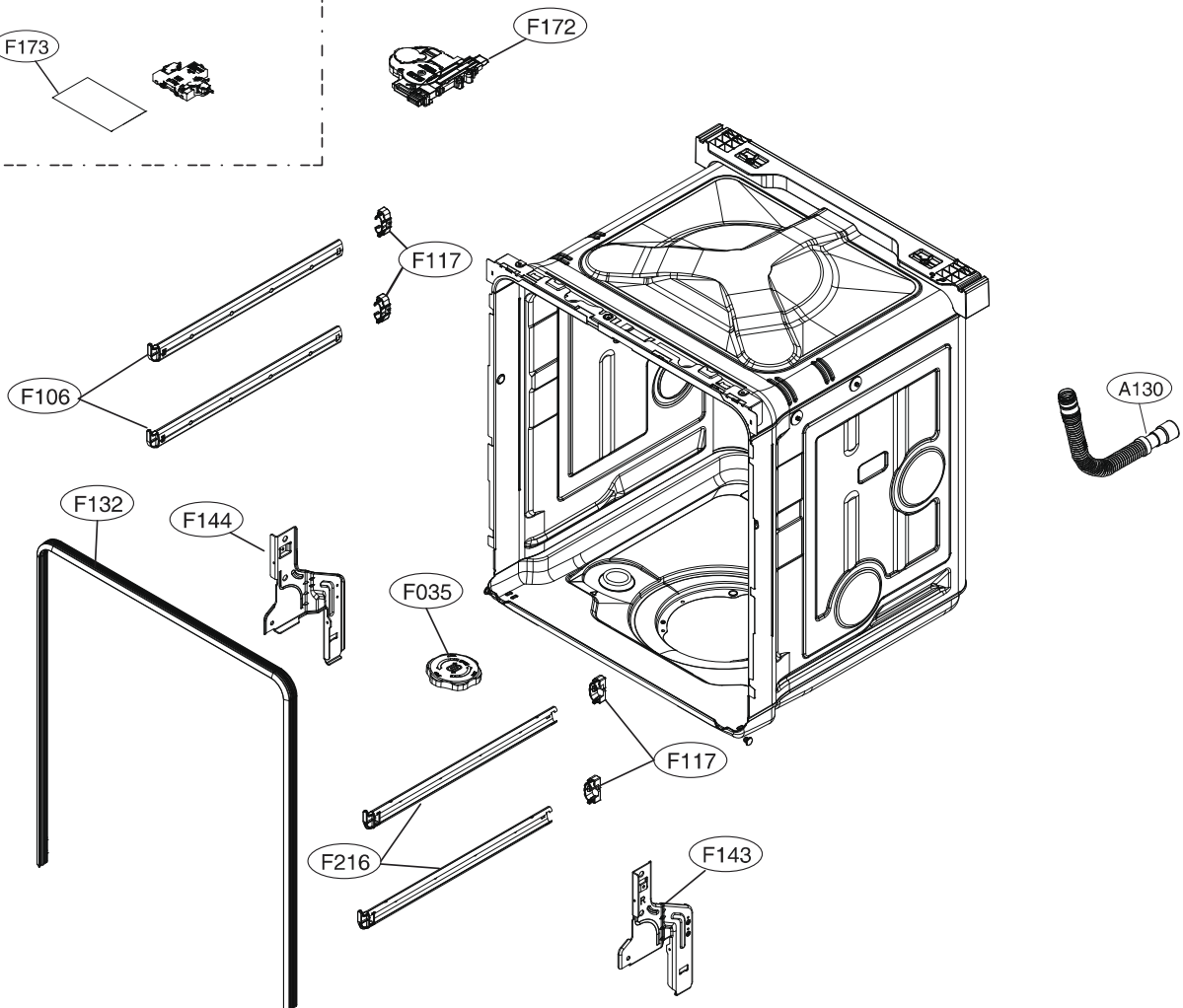
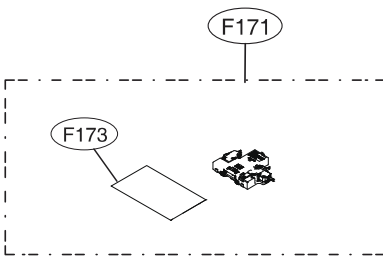
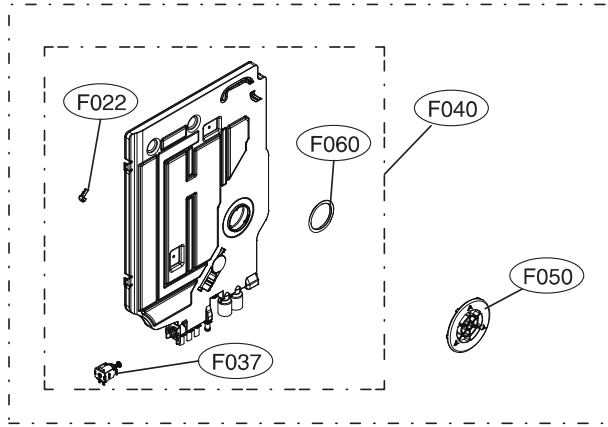
ACCESSORIES				
	E202		E005	E006
Side Cabinet Strip	Lower Cover Strip	Front Cover Strip	Lower Damper	Funnel (All models)
	 E203			

**XD90\*\*, XD89\*\*, XD88\*\*, XD77\*, XD74\*, XD64\*, DF212\*\*, DF415\*\*\***

■ Exploded View

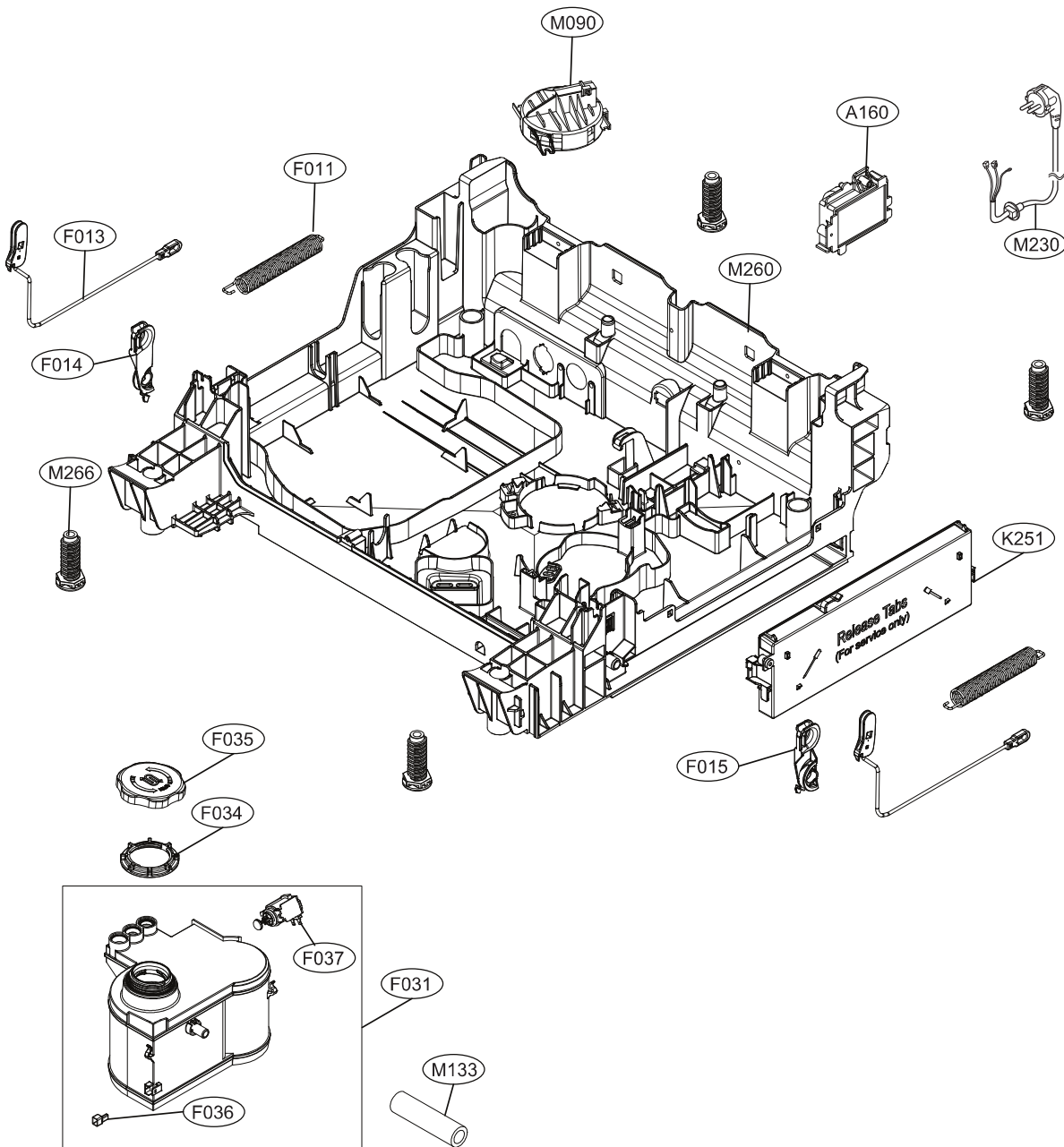


## ■ Tub Assembly

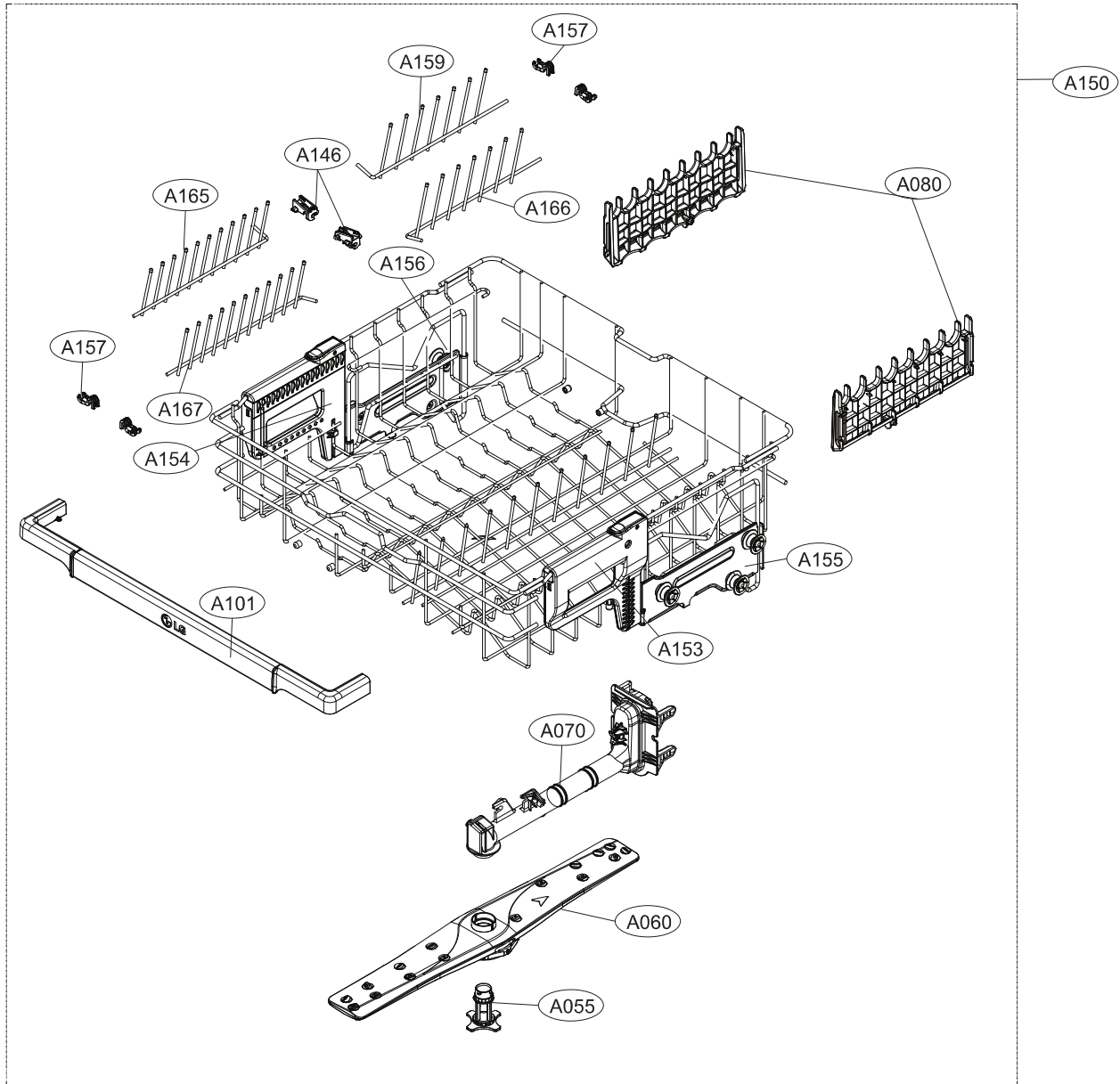


# XD90\*\*, XD89\*\*, XD88\*\*, XD77\*, XD74\*, XD64\*, DF212\*\*, DF415\*\*\*

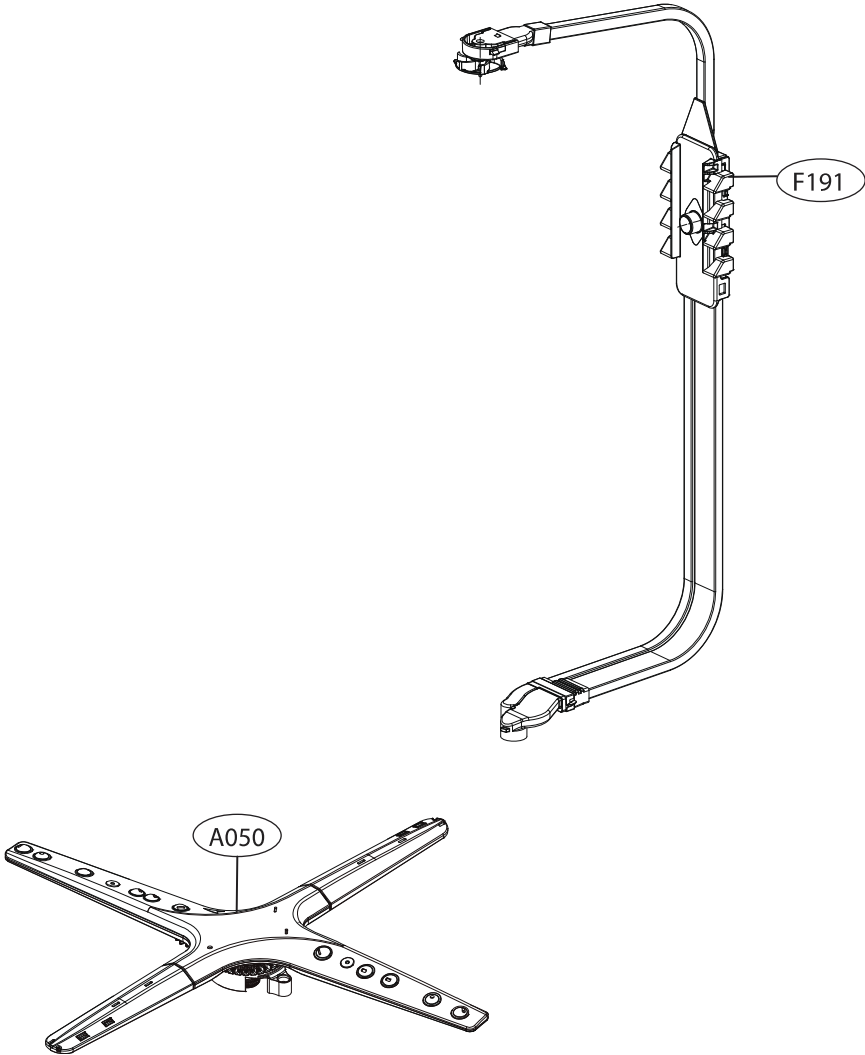
## ■ Base Assembly



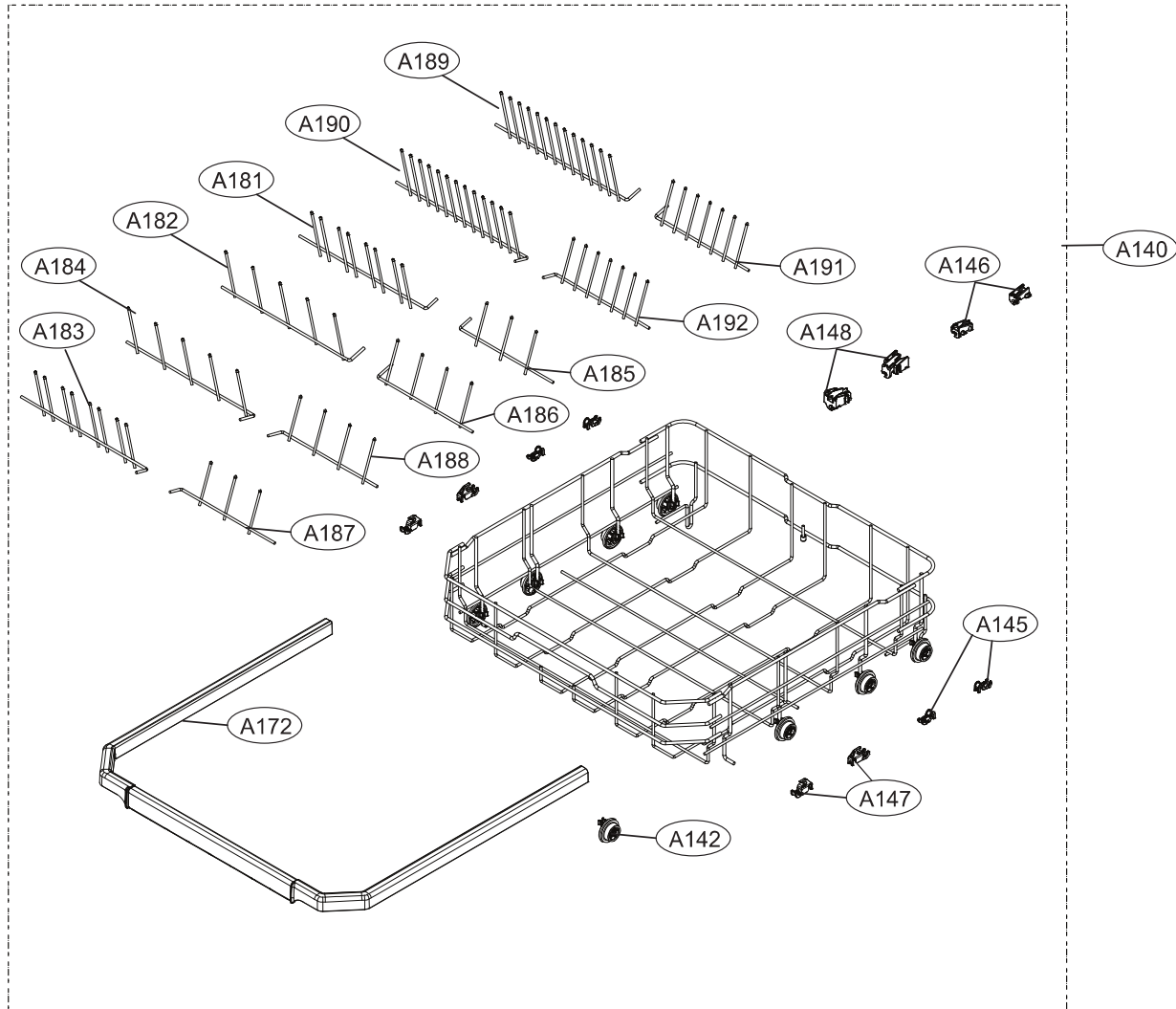
**■ Upper Rack Assembly**



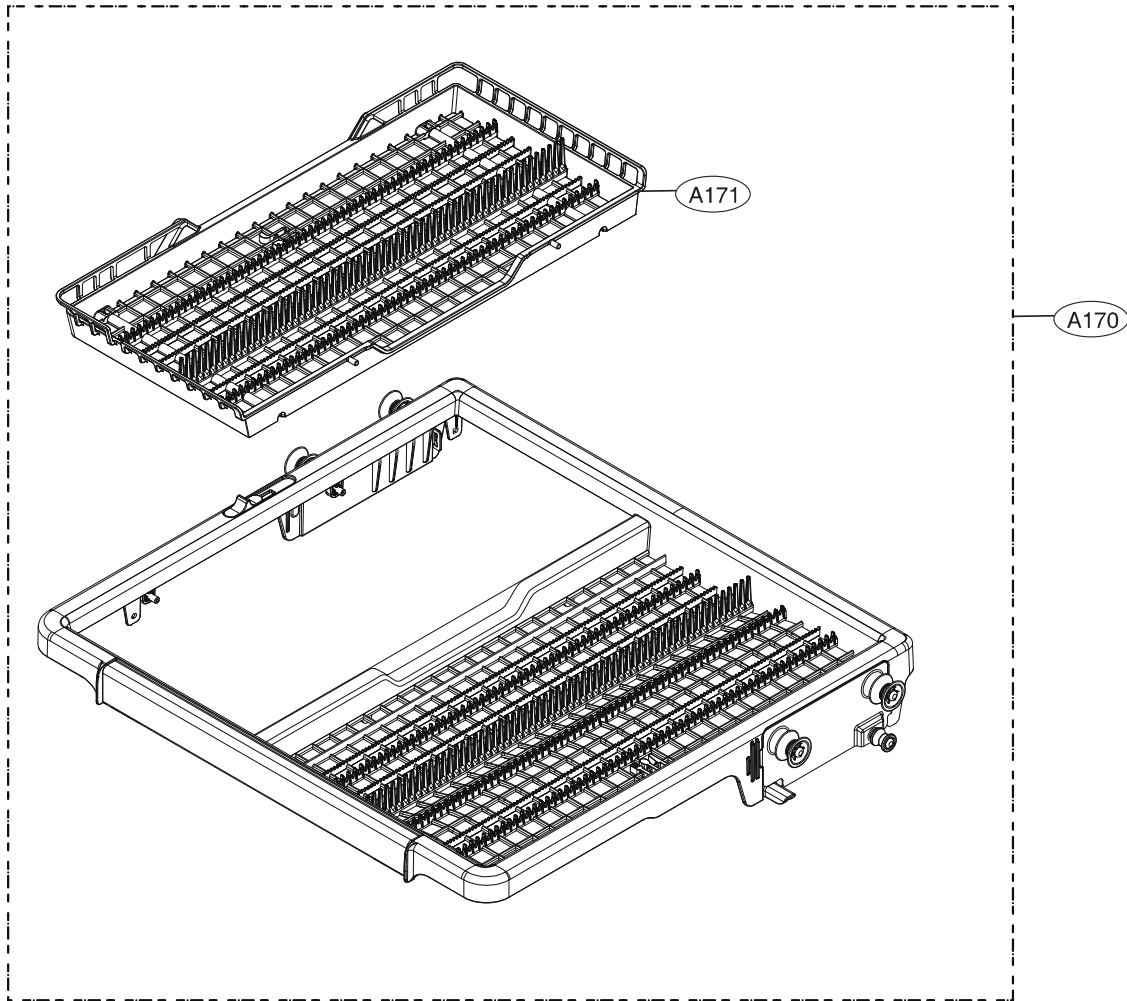
**■ Water Guide Assembly**



**■ Lower Rack Assembly**



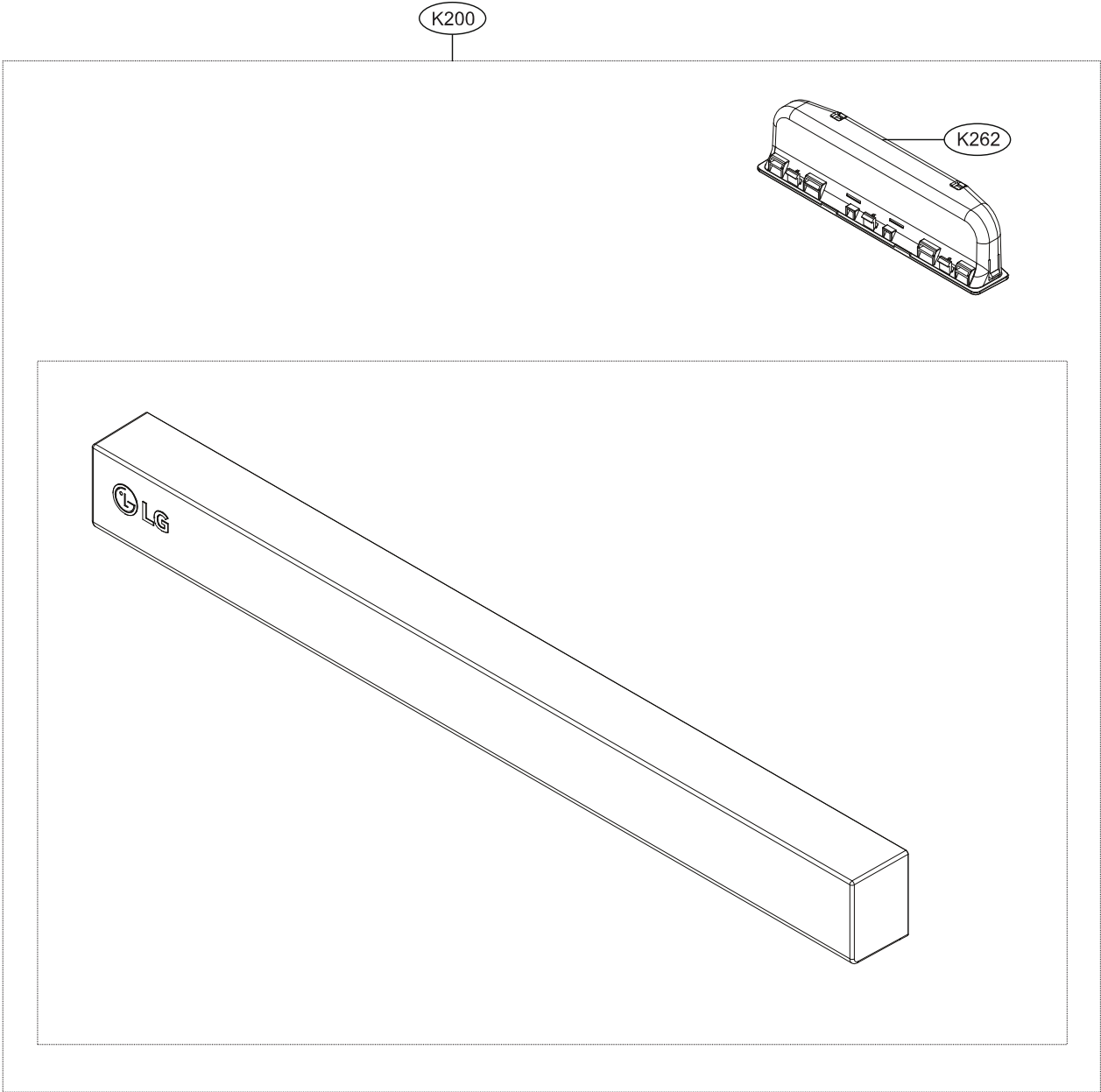
■ **3rd Rack Assembly**



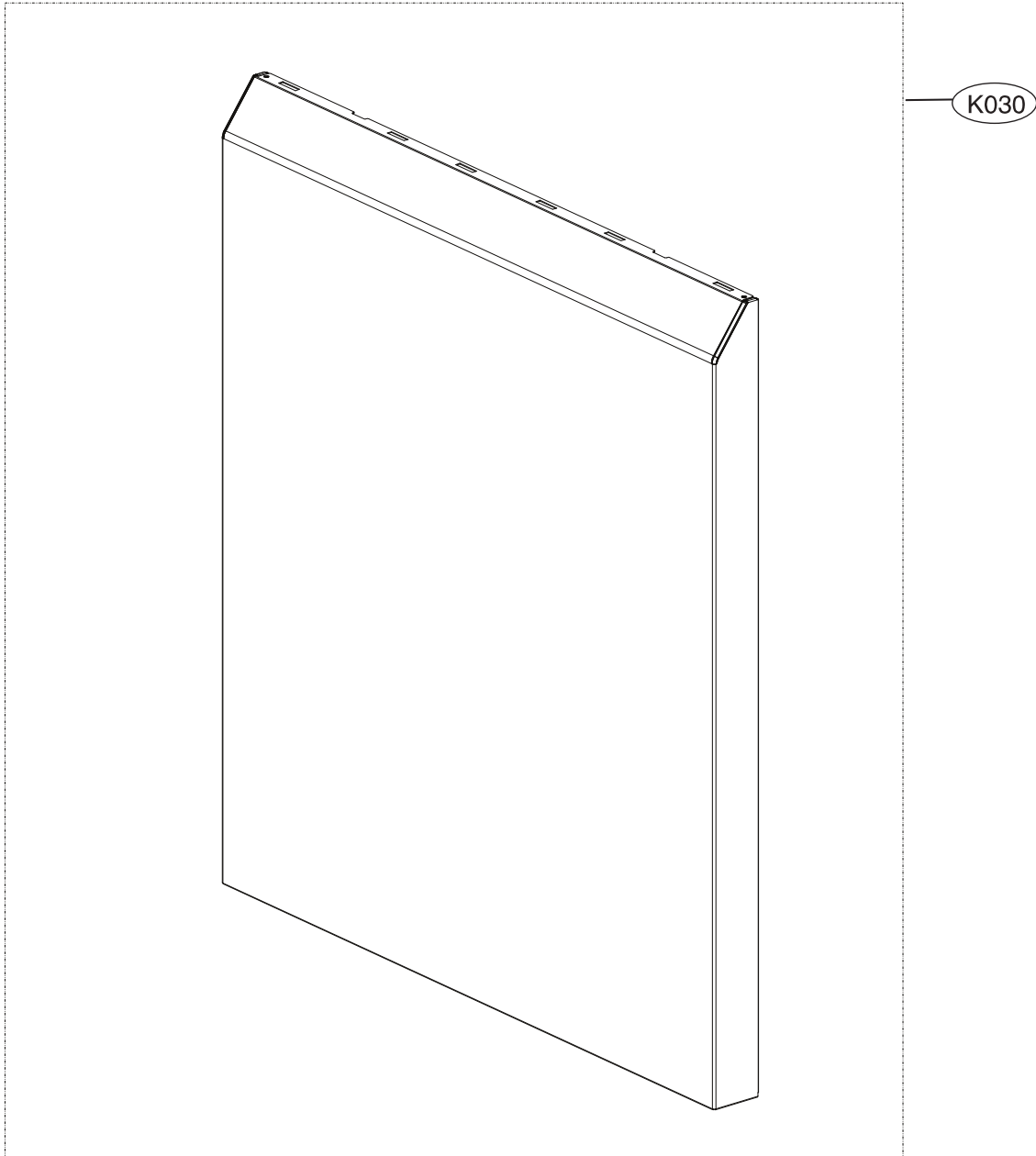


**XD90\*\*, XD89\*\*, XD88\*\*, XD77\*, XD74\*, XD64\*, DF212\*\*, DF415\*\*\***

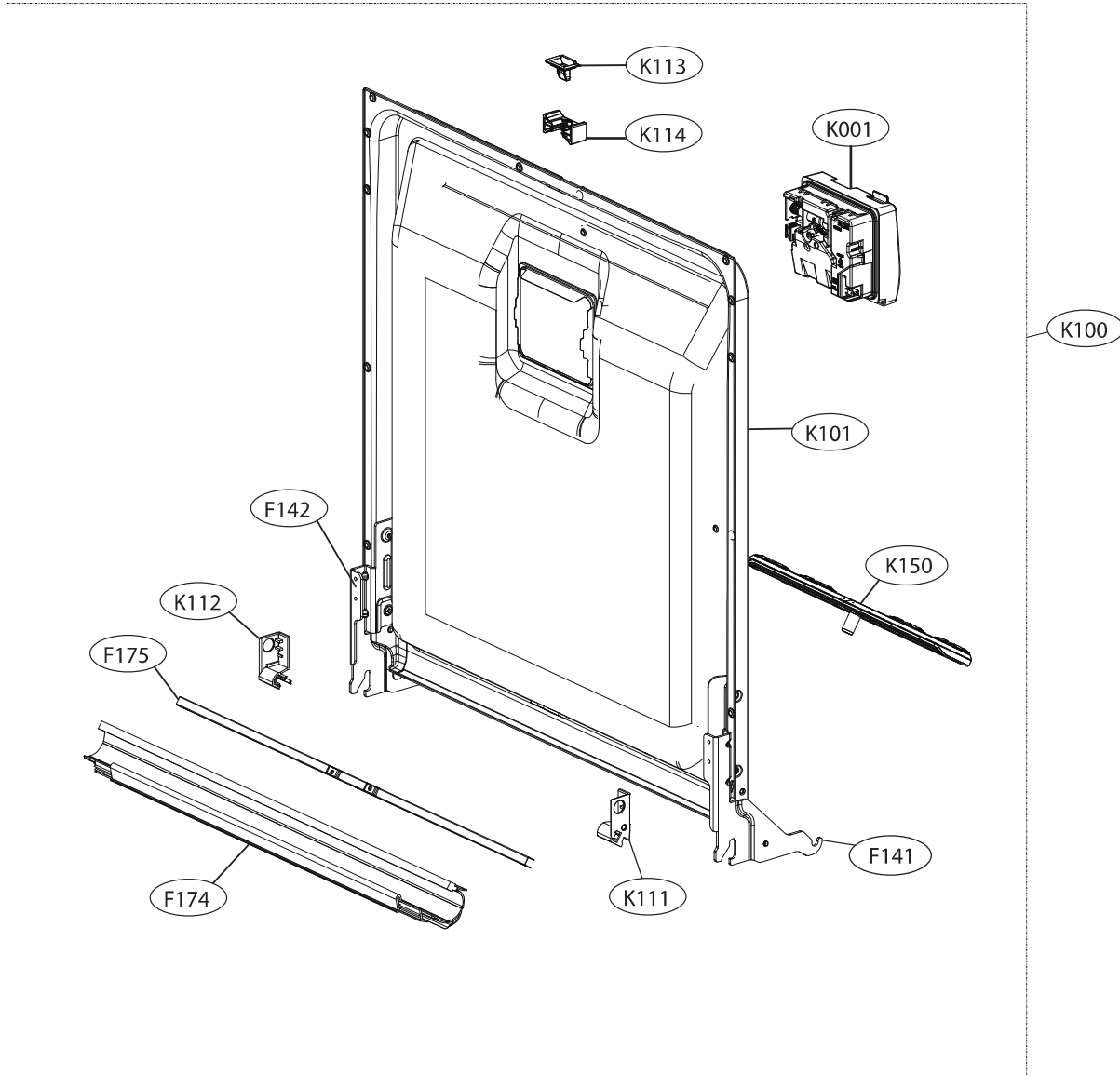
**■ Panel Assembly**



**■ Front Cover Assembly**



**XD90\*\*, XD89\*\*, XD88\*\*, XD77\*, DF415\*\*\***



■ Sump Assembly

