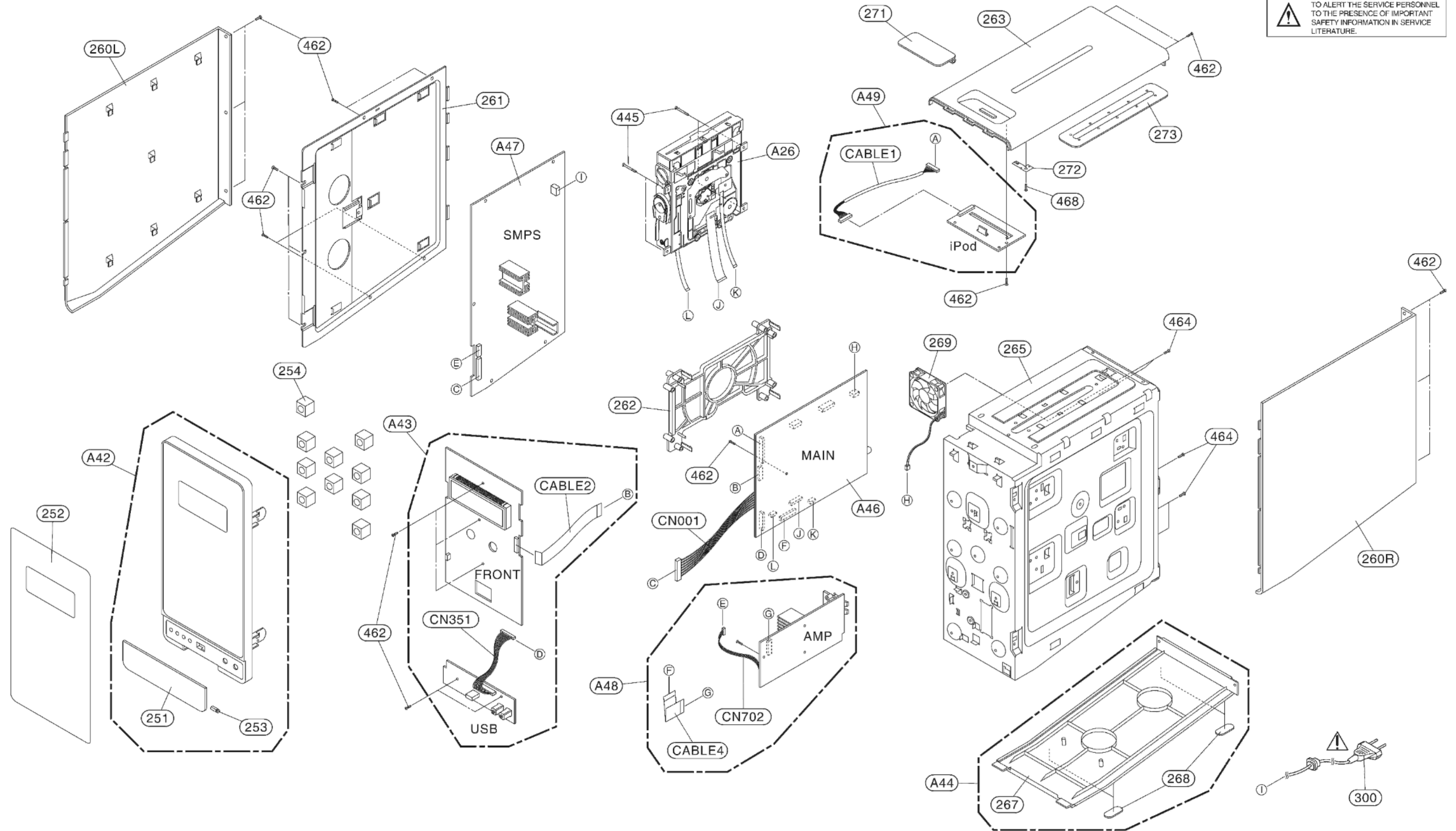


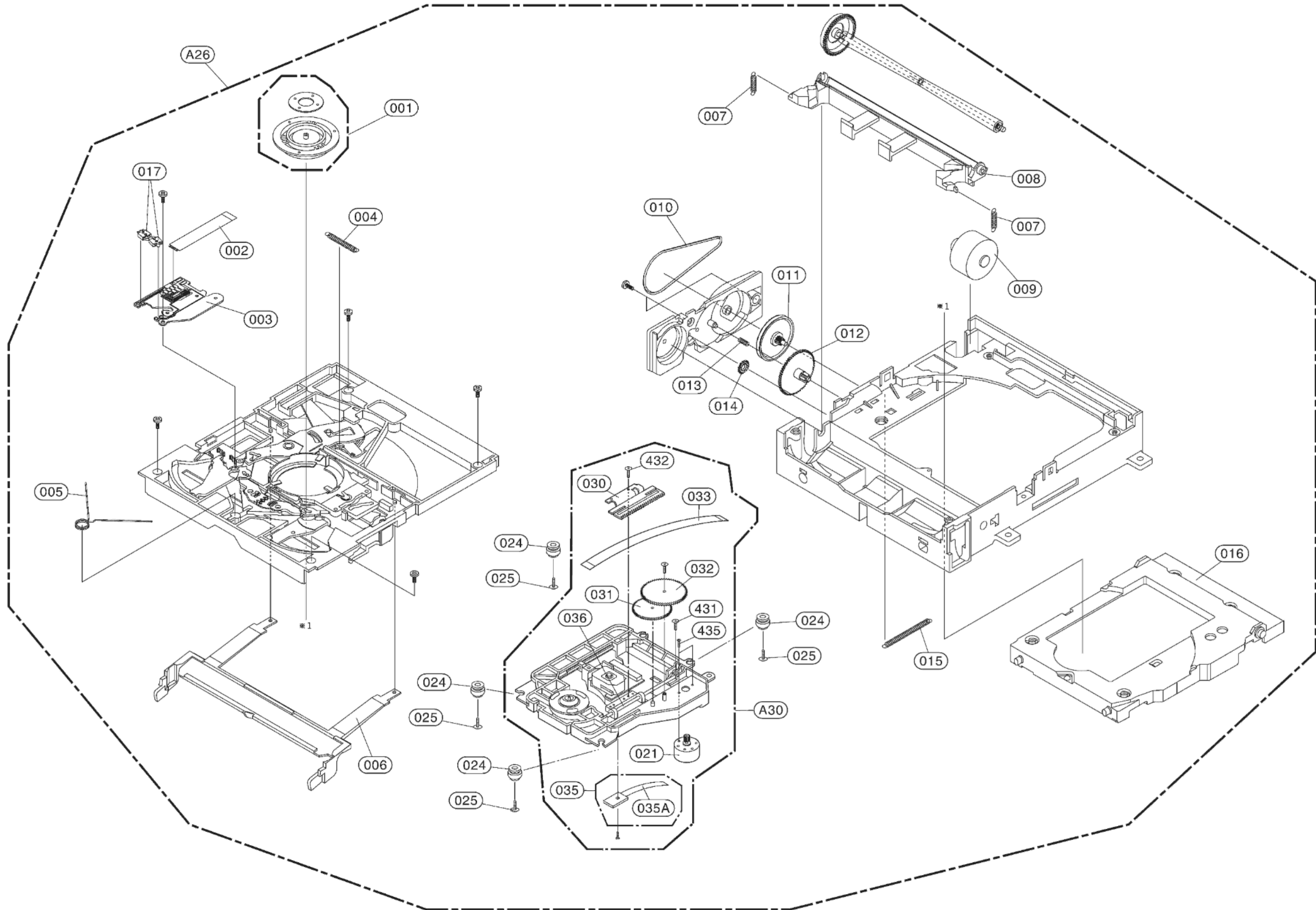
EXPLODED VIEWS

1. CABINET AND MAIN FRAME SECTION (FA166)

NOTES) THE EXCLAMATION POINT WITHIN AN EQUILATERAL TRIANGLE IS INTENDED TO ALERT THE SERVICE PERSONNEL TO THE PRESENCE OF IMPORTANT SAFETY INFORMATION IN SERVICE LITERATURE.

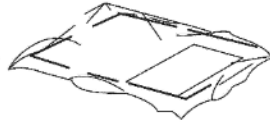


2. DECK MECHANISM SECTION (SCP-03B)



3. PACKING ACCESSORY SECTION

801 Owner's Manual



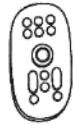
808 Battery



818 Stereo Cable



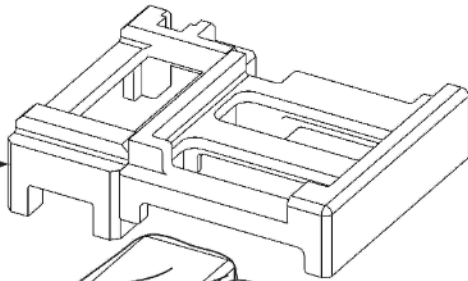
900 Remote Control



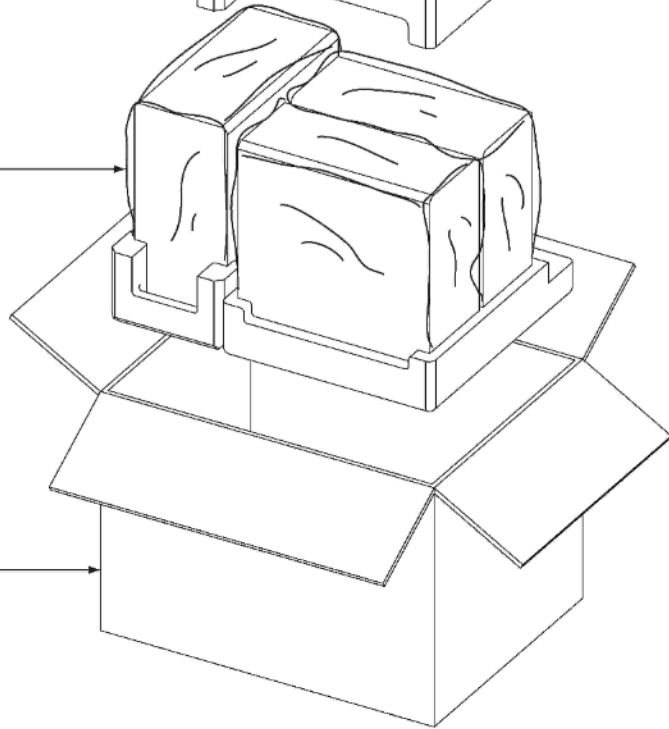
825 FM Wire Antenna



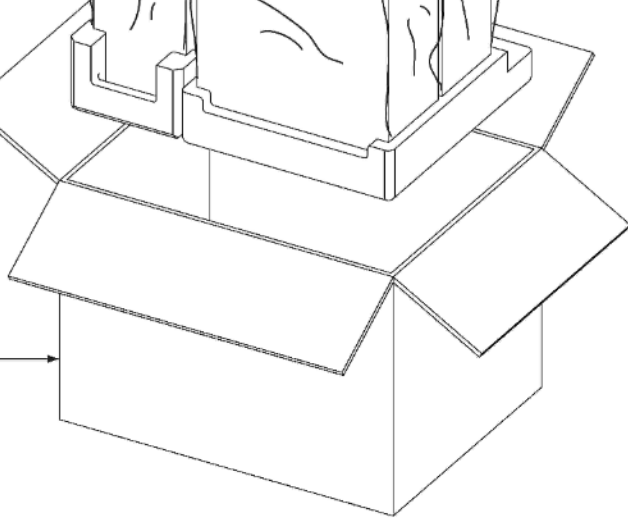
803 Packing



804 Bag



802 Box



4. SPEAKER SECTION (FAS166F)

