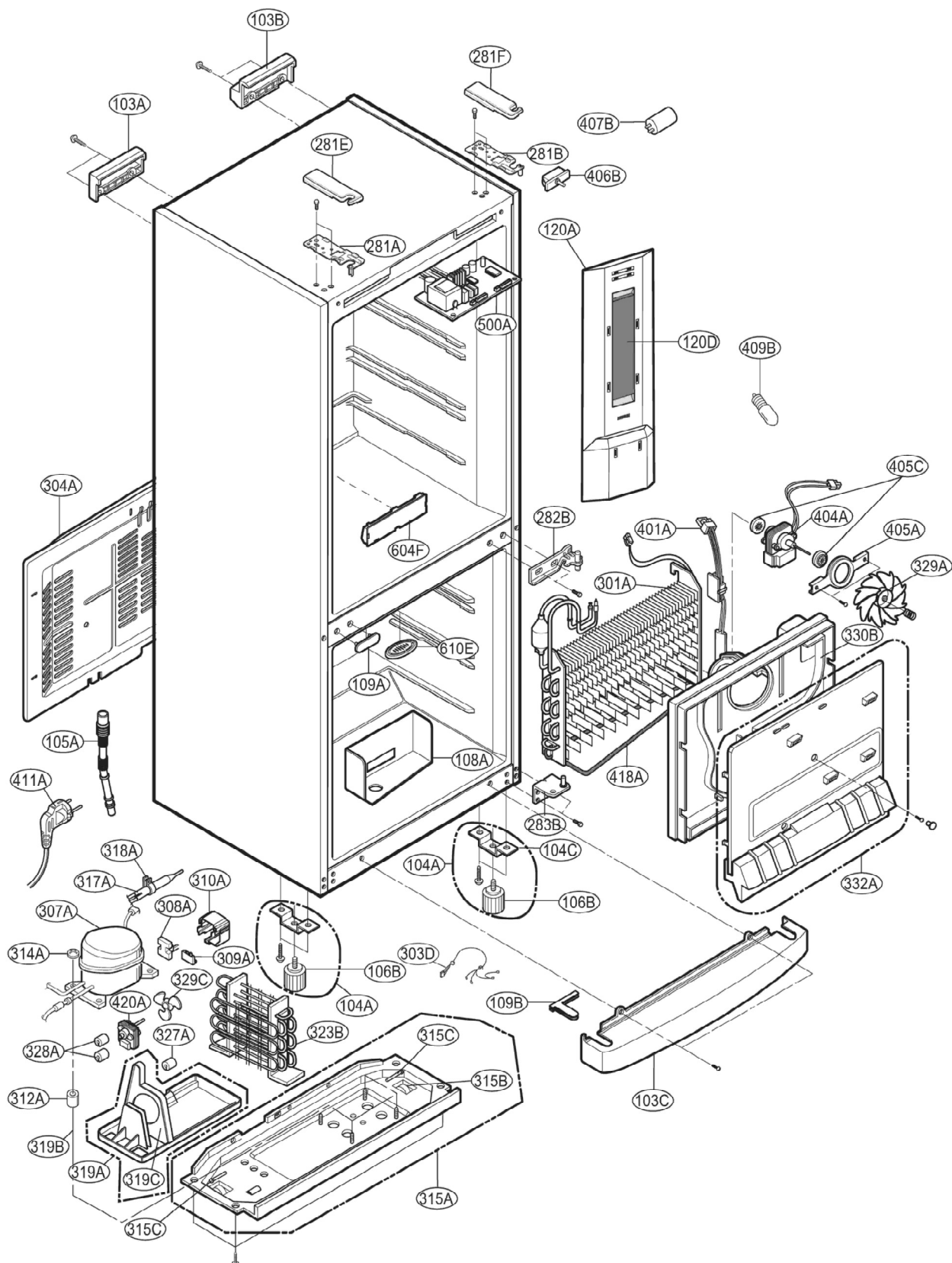


# EXPLODED VIEW & REPLACEMENT PARTS LIST



# EXPLODED VIEW

