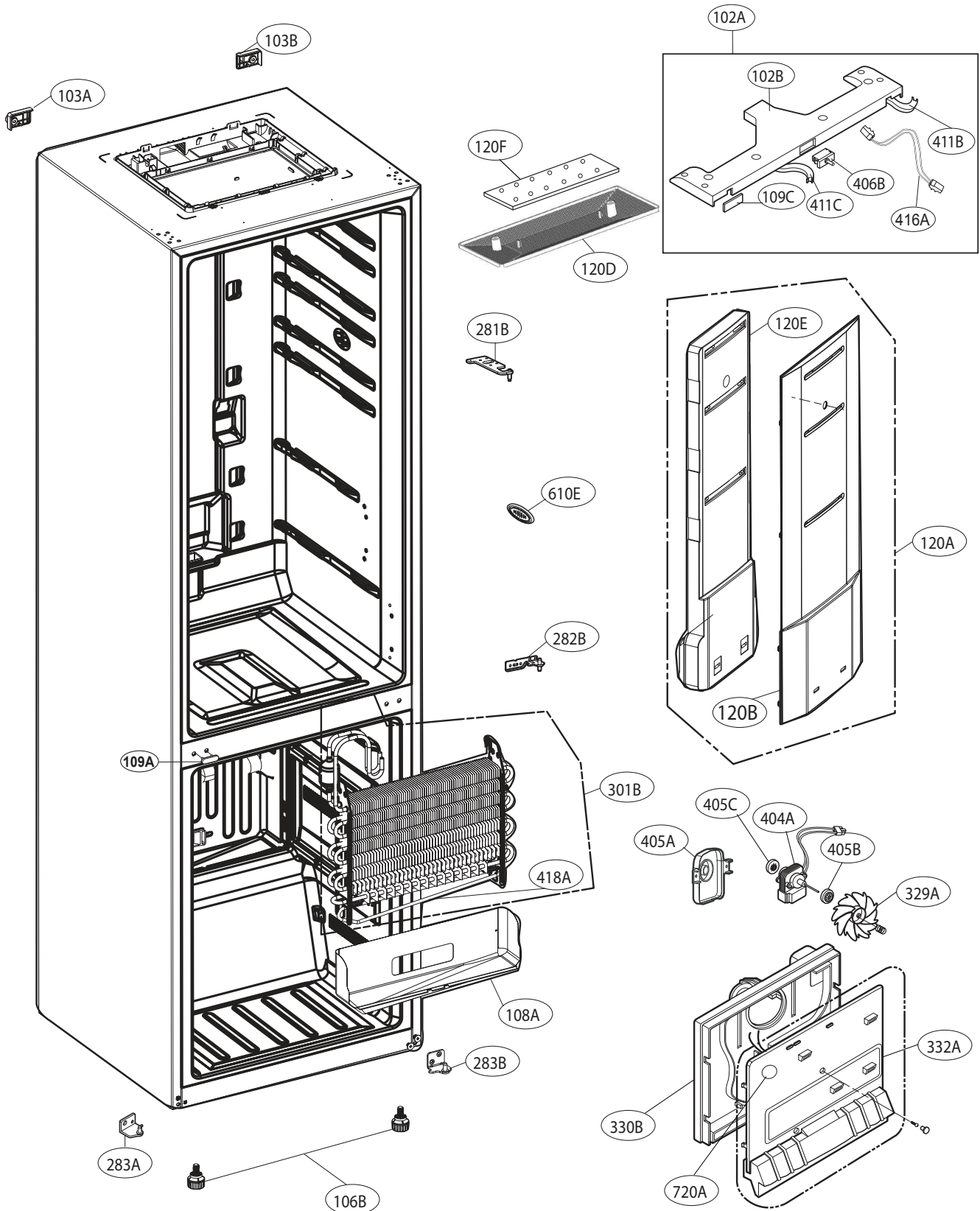


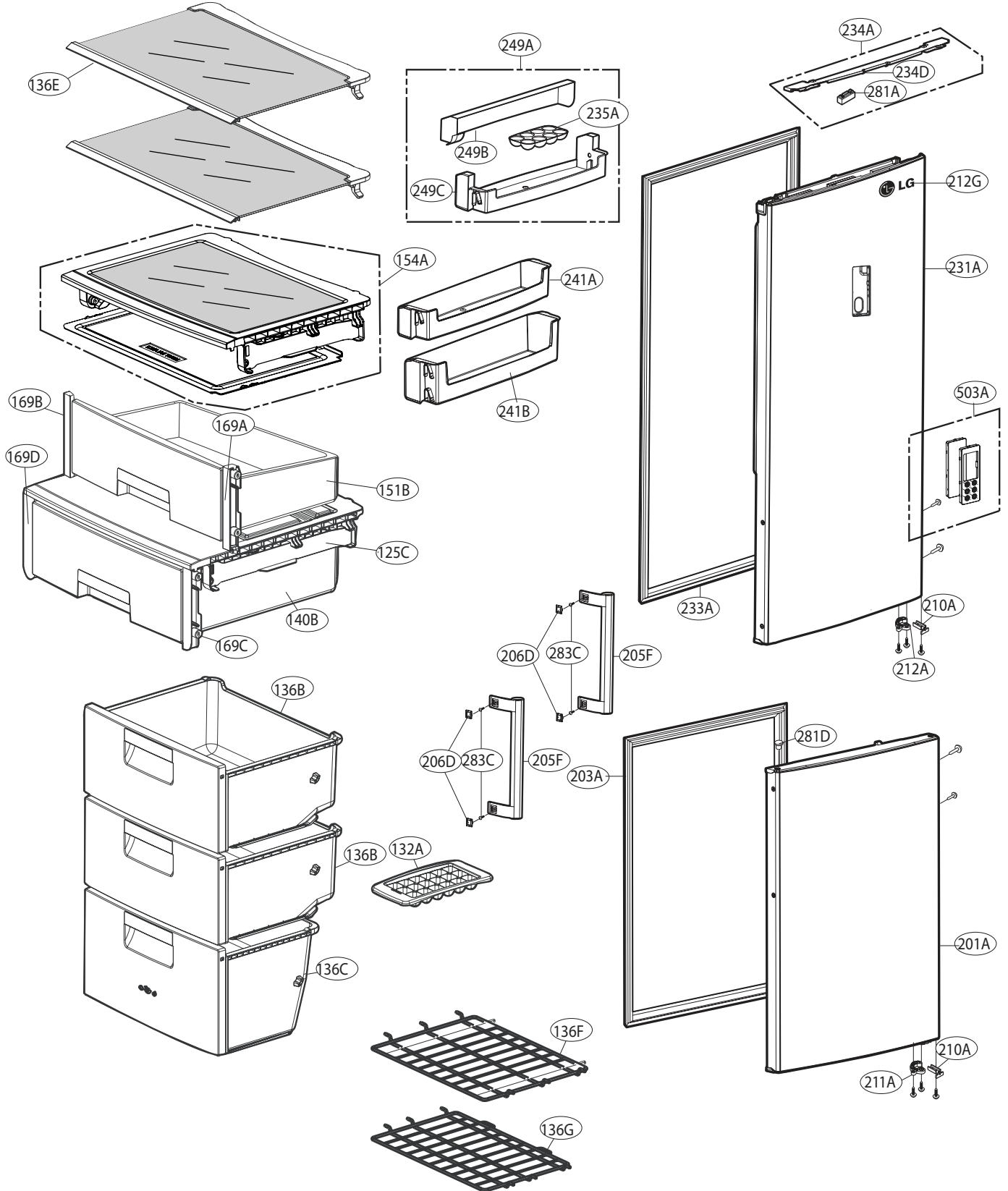
# EXPLODED VIEW

Ref. No : GB5237\*\*(E/F)\*

☒ The parts of refrigerator and the shape of each part are subject to change in different localities.



Ref. No: GB5237\*\*F(Z/W)



Ref. No: GB5240\*\*\*W, GB5237\*\*\*W, GB5234\*\*\*W

