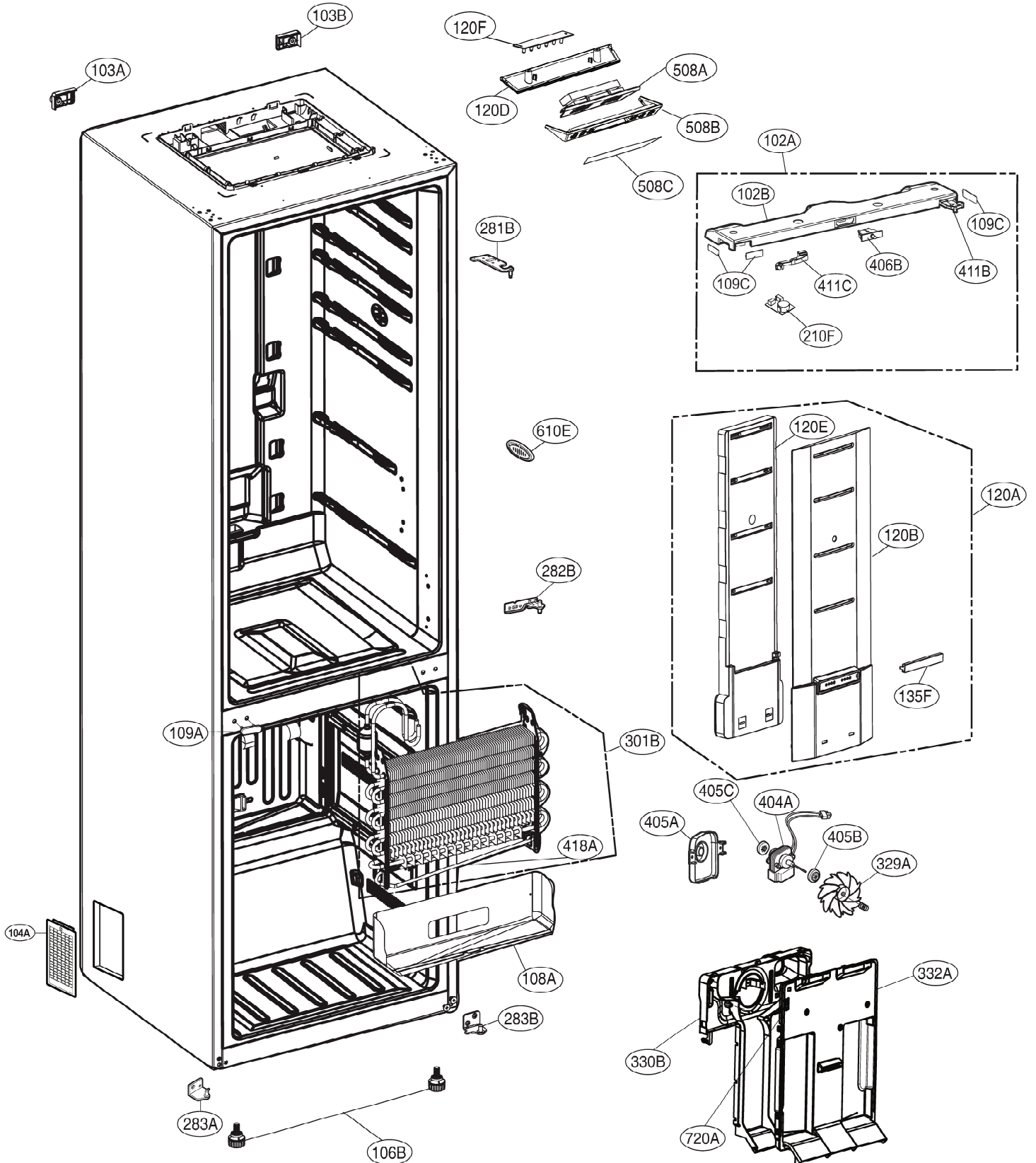


# EXPLODED VIEW

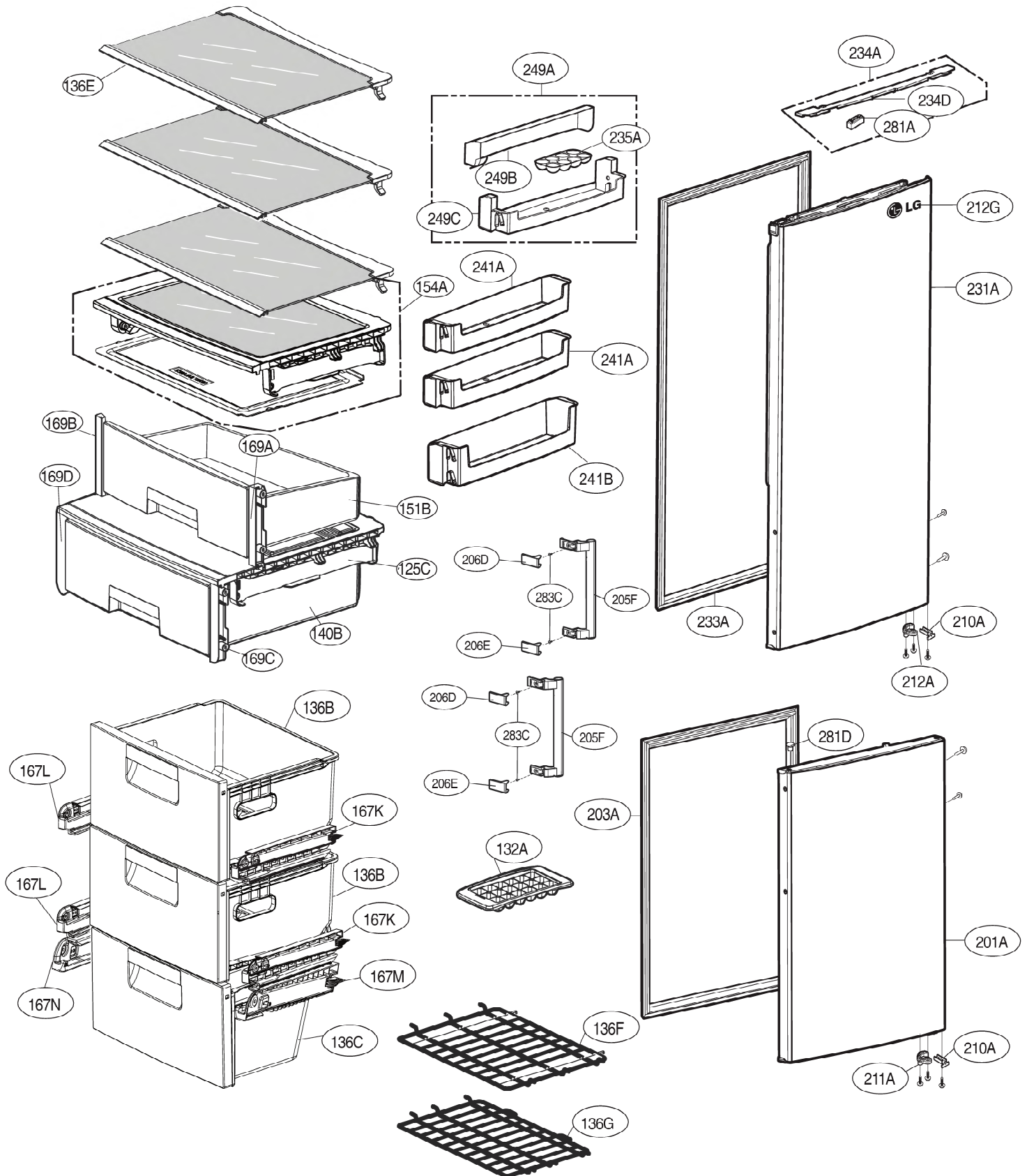
Ref. No : GBB530\*\*\*\*\* GBB532\*\*\*\*\*



► The parts of refrigerator and the shape of each part are subject to change in different localities.

# EXPLODED VIEW

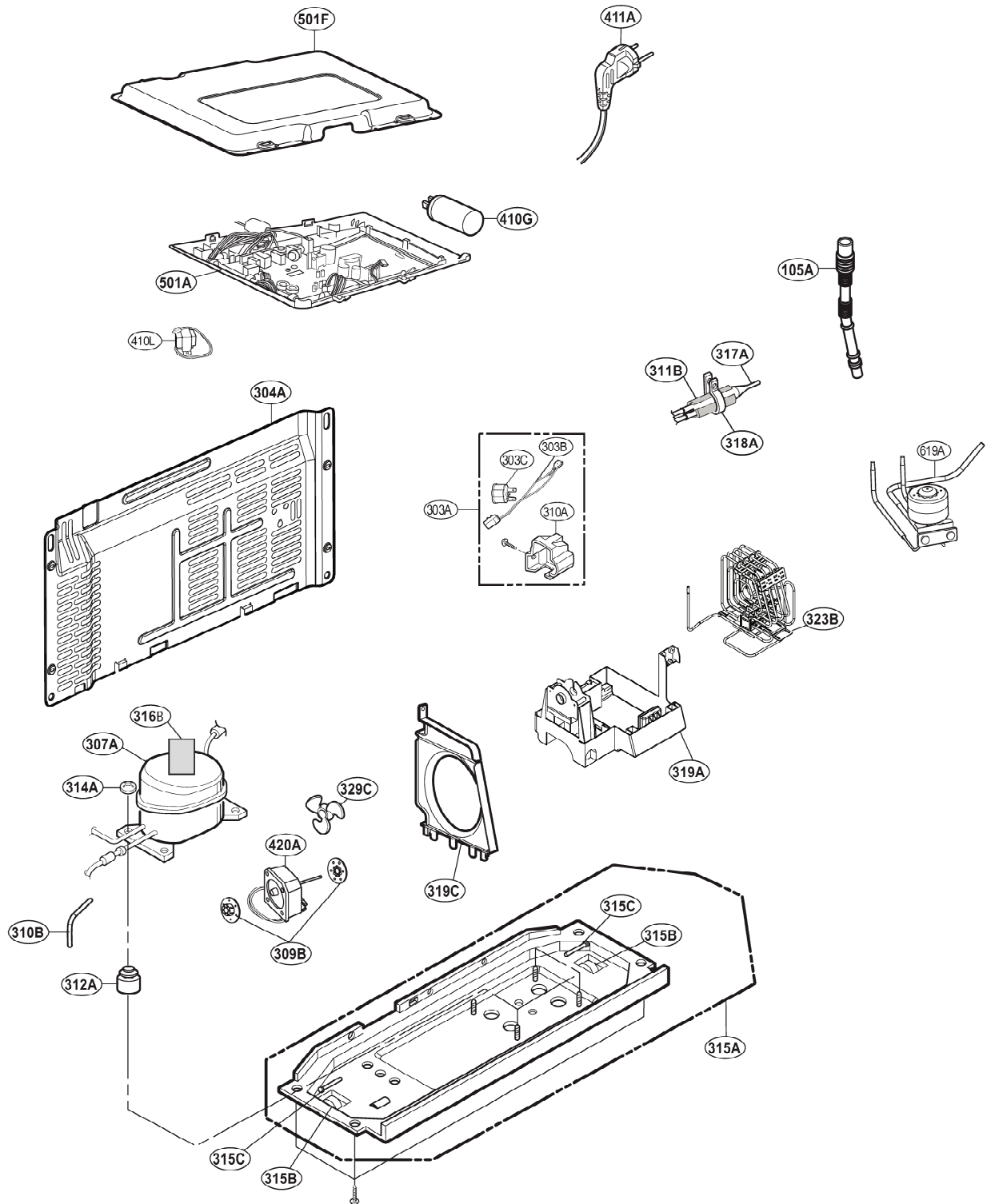
Ref. No : GBB530\*\*\*\*E GBB532\*\*\*\*E



► The parts of refrigerator and the shape of each part are subject to change in different localities.

# EXPLODED VIEW

Ref. No: GBB530\*\*\*F\* GBB539\*\*\*F\* GBB532\*\*\*F\* GBB531\*\*\*F\*



► The parts of refrigerator and the shape of each part are subject to change in different localities.