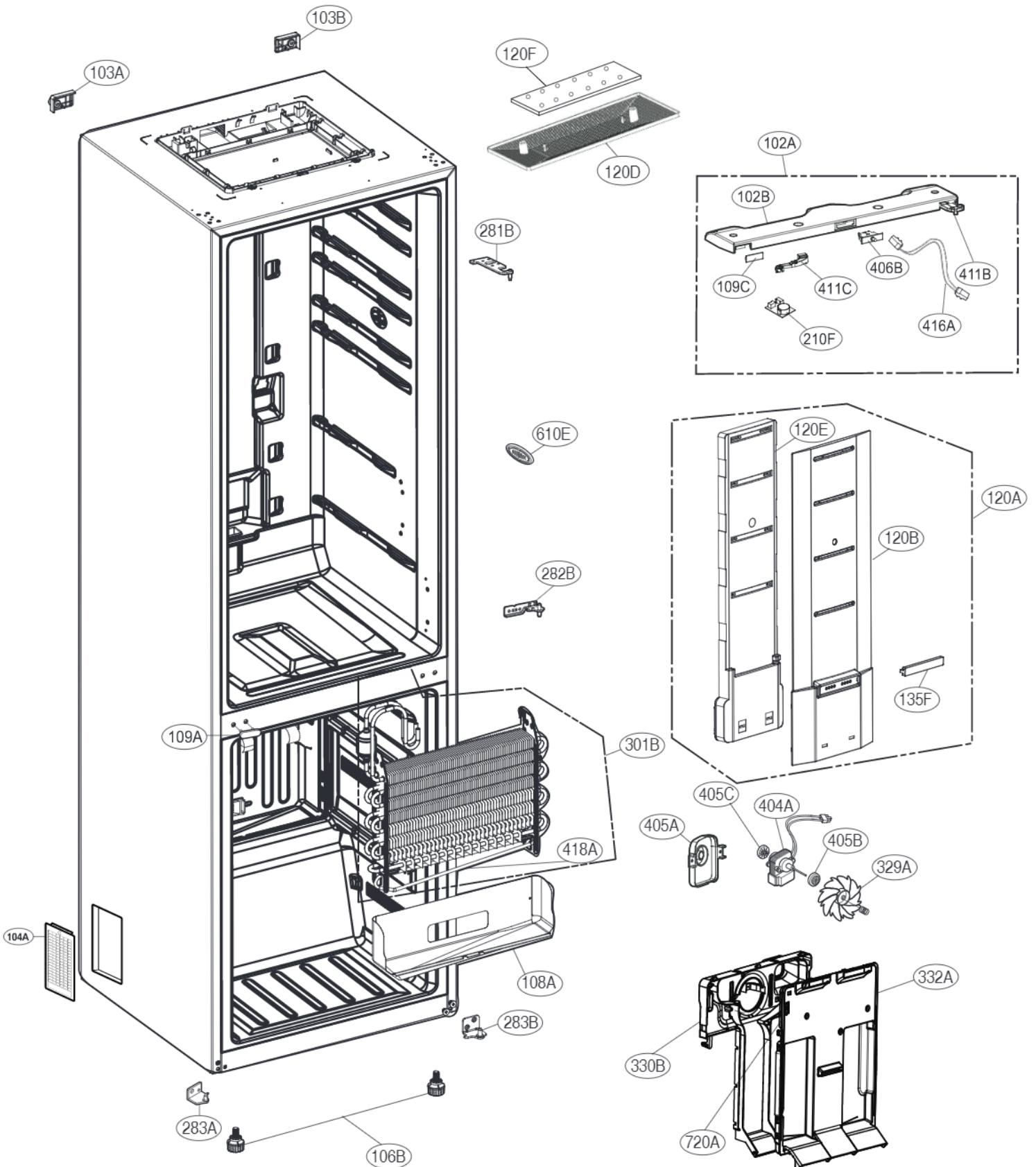


# EXPLODED VIEW

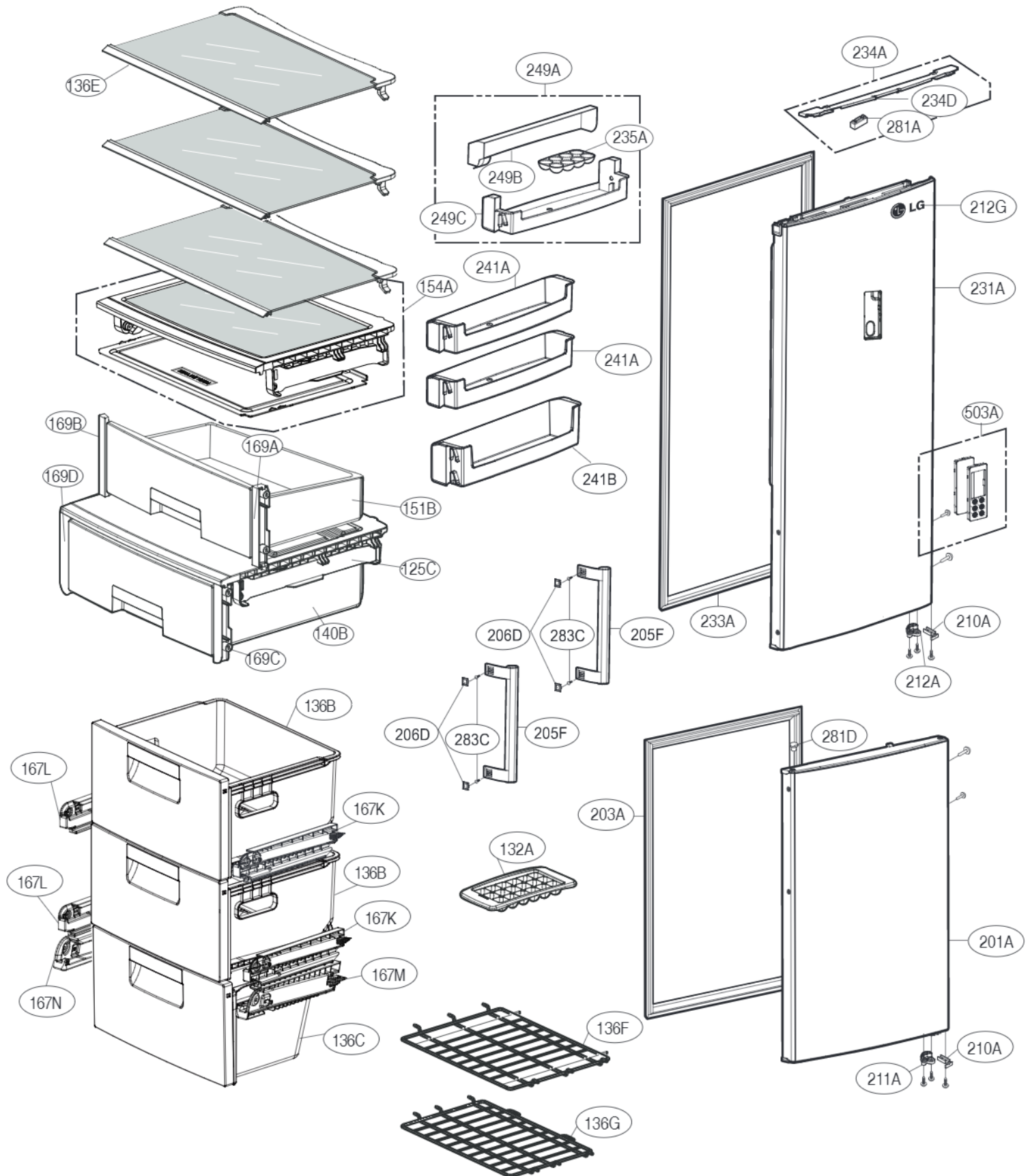
Ref. No : GBB530\*\*QP\* GBB530\*\*QF\*



► The parts of refrigerator and the shape of each part are subject to change in different localities.

# EXPLODED VIEW

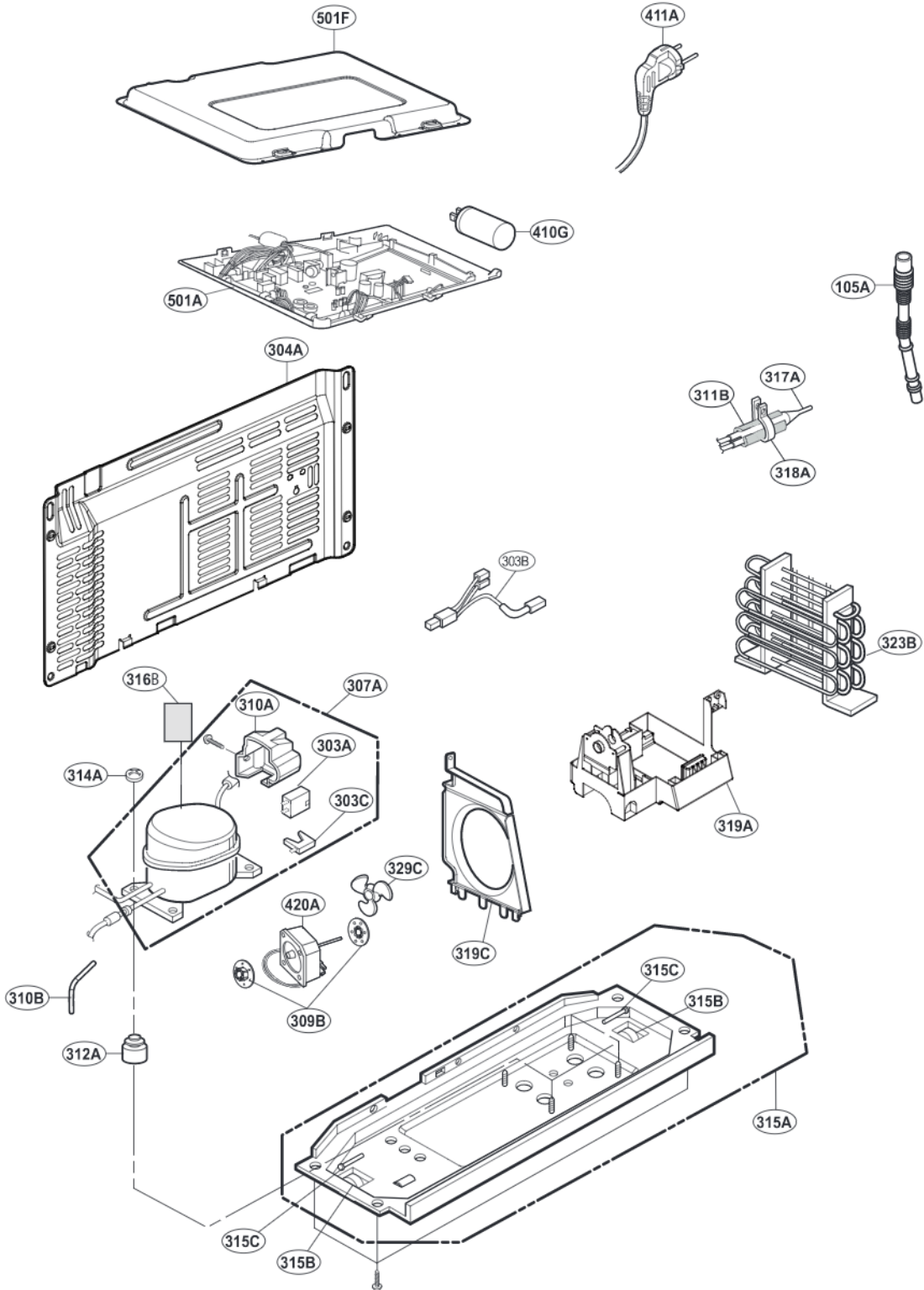
Ref. No : GBB530\*\*QP



► The parts of refrigerator and the shape of each part are subject to change in different localities.

# EXPLODED VIEW

Ref. No: GBB530\*\*\*P\* GBB539\*\*\*P\*



► The parts of refrigerator and the shape of each part are subject to change in different localities.