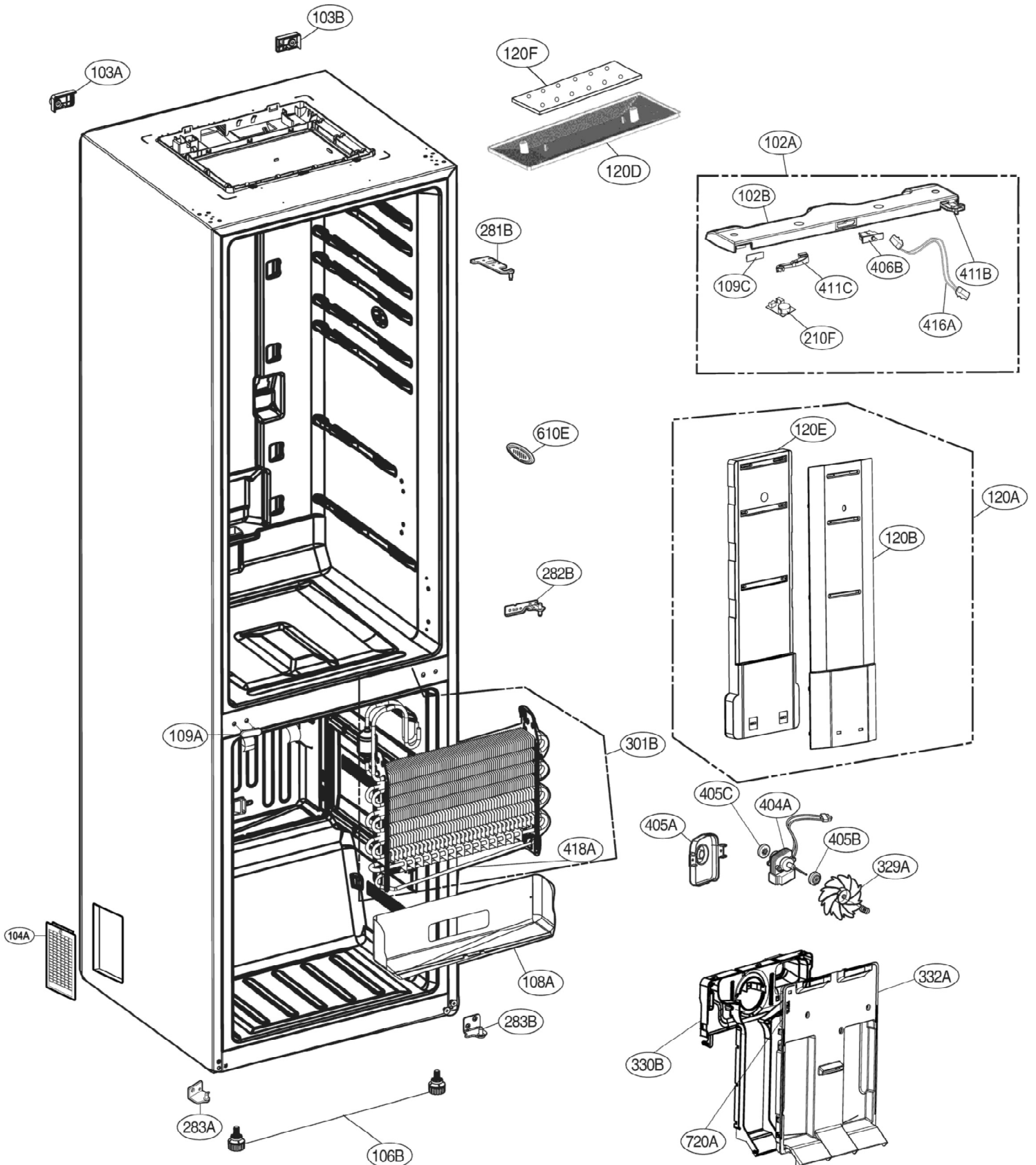


# EXPLODED VIEW

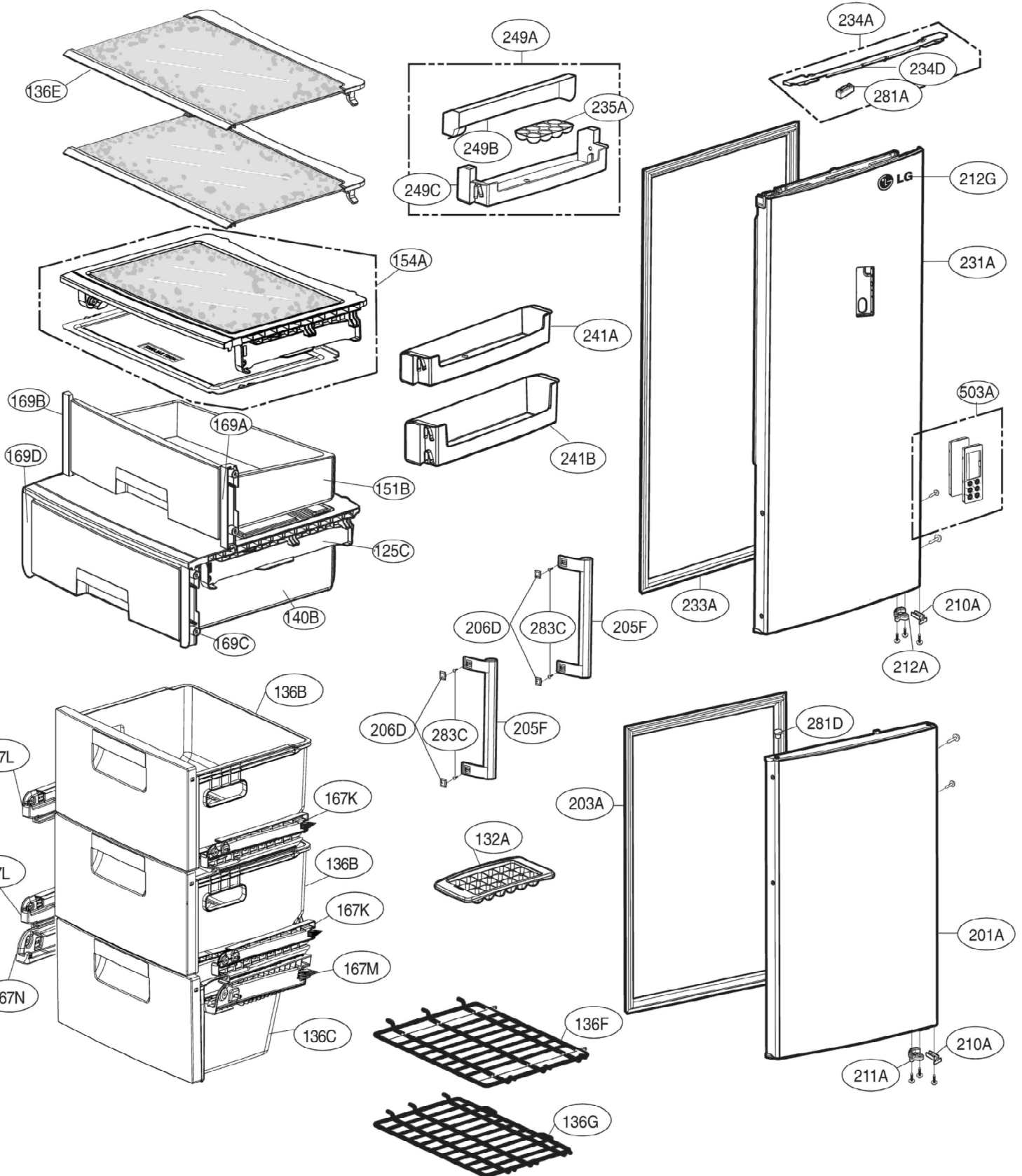
Ref. No : GBB539\*\*QP\* GBB539\*\*QF\*



► The parts of refrigerator and the shape of each part are subject to change in different localities.

# EXPLODED VIEW

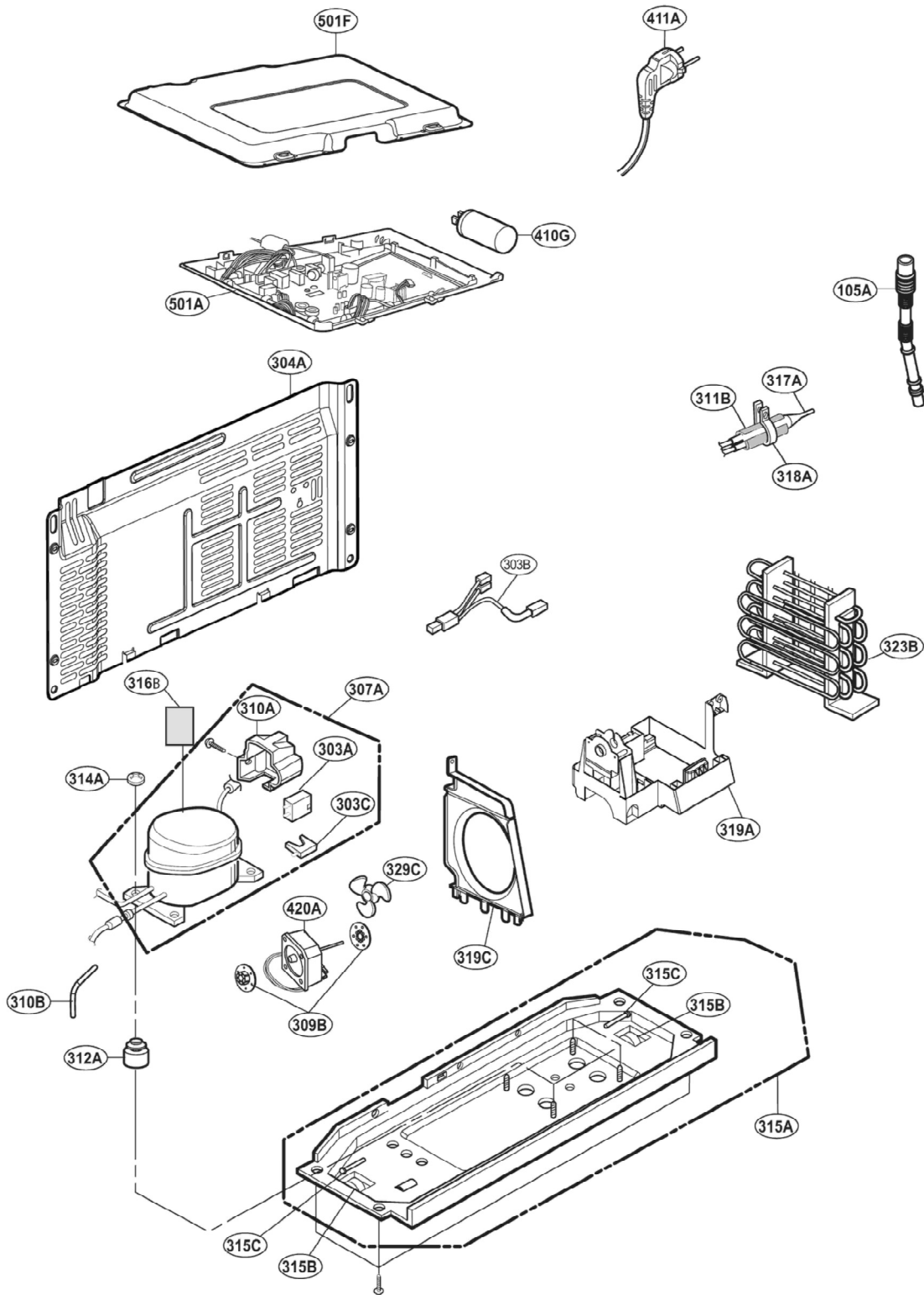
Ref. No :



► The parts of refrigerator and the shape of each part are subject to change in different localities.

# EXPLODED VIEW

Ref. No: GBB530\*\*\*P\* GBB539\*\*\*P\*



► The parts of refrigerator and the shape of each part are subject to change in different localities.