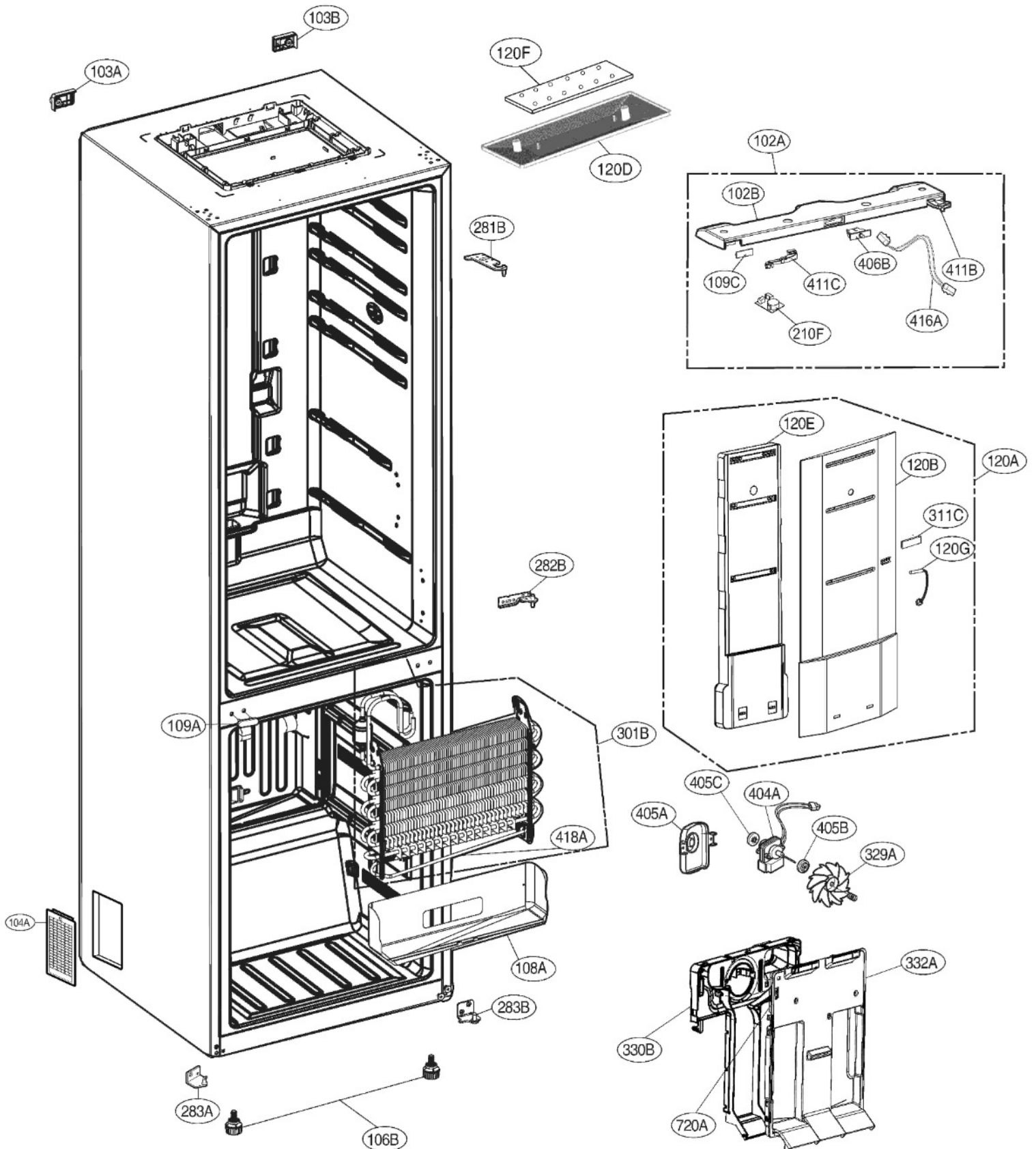


# EXPLODED VIEW

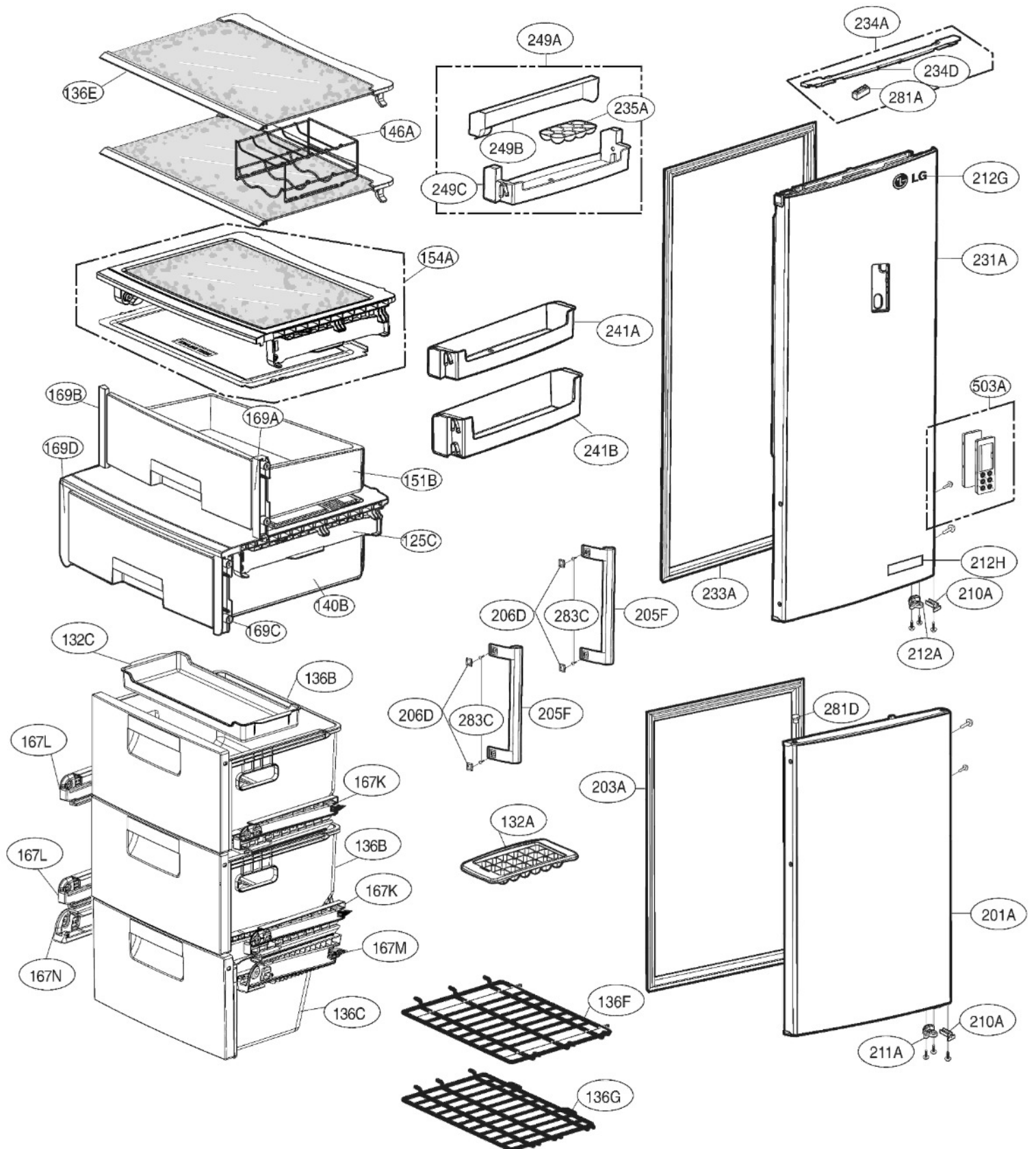
Ref. No : GBB539\*\*Q



► The parts of refrigerator and the shape of each part are subject to change in different localities.

# EXPLODED VIEW

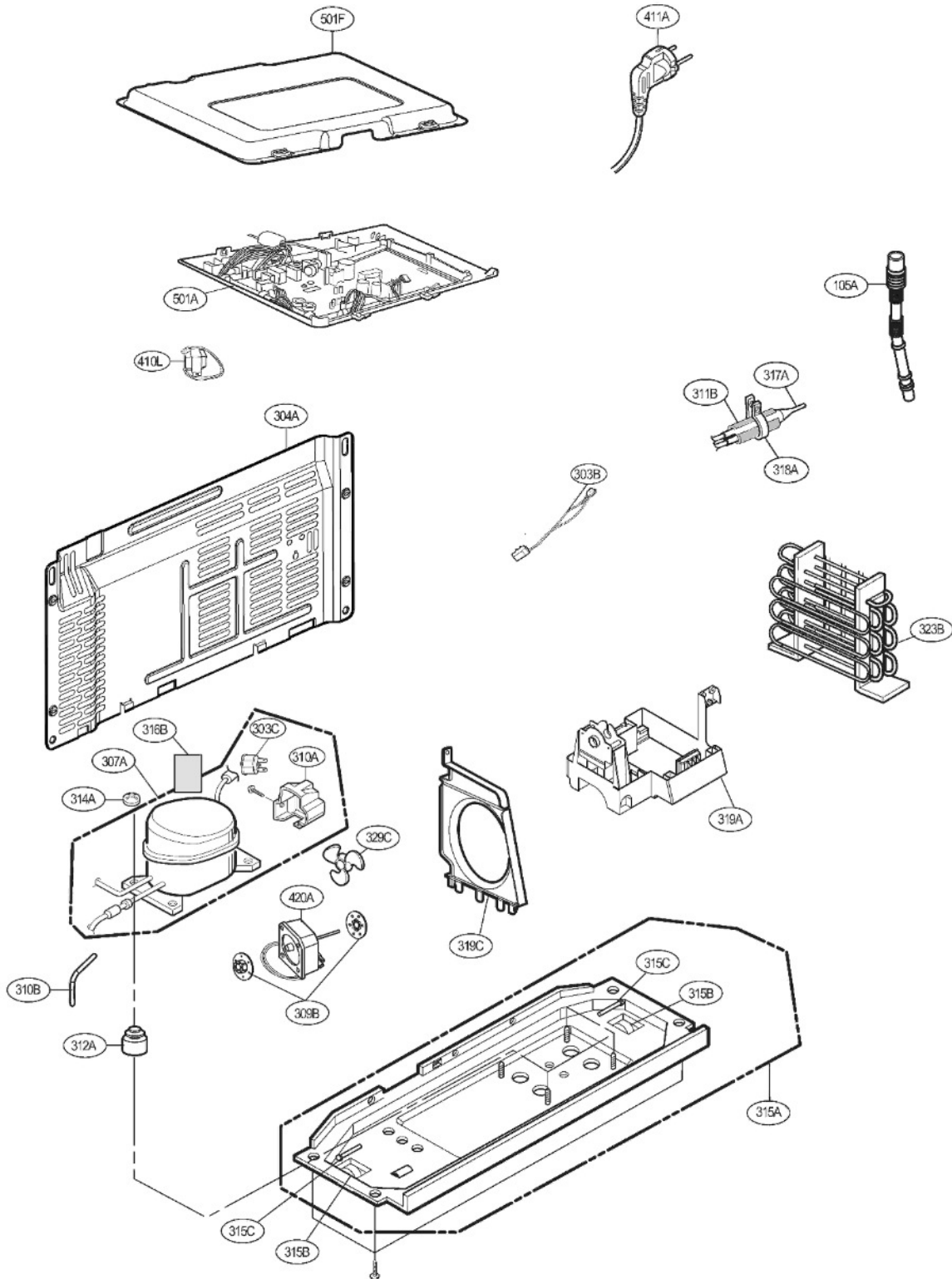
Ref. No : GBB539\*\*QMB



► The parts of refrigerator and the shape of each part are subject to change in different localities.

# EXPLODED VIEW

Ref. No: GBB530\*\*\*M\* GBB539\*\*\*M\*



► The parts of refrigerator and the shape of each part are subject to change in different localities.