

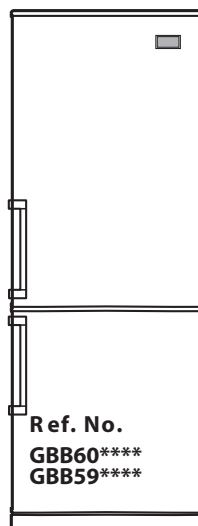


<http://biz.lgservice.com>

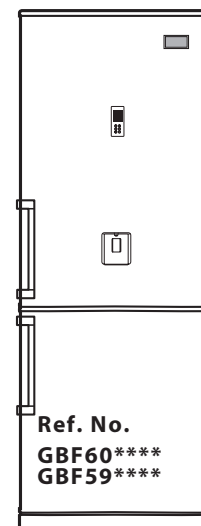
REFRIGERATOR

SERVICE MANUAL

CAUTION
BEFORE SERVICING THE UNIT, READ THE "SAFETY
PRECAUTIONS" IN THIS MANUAL.



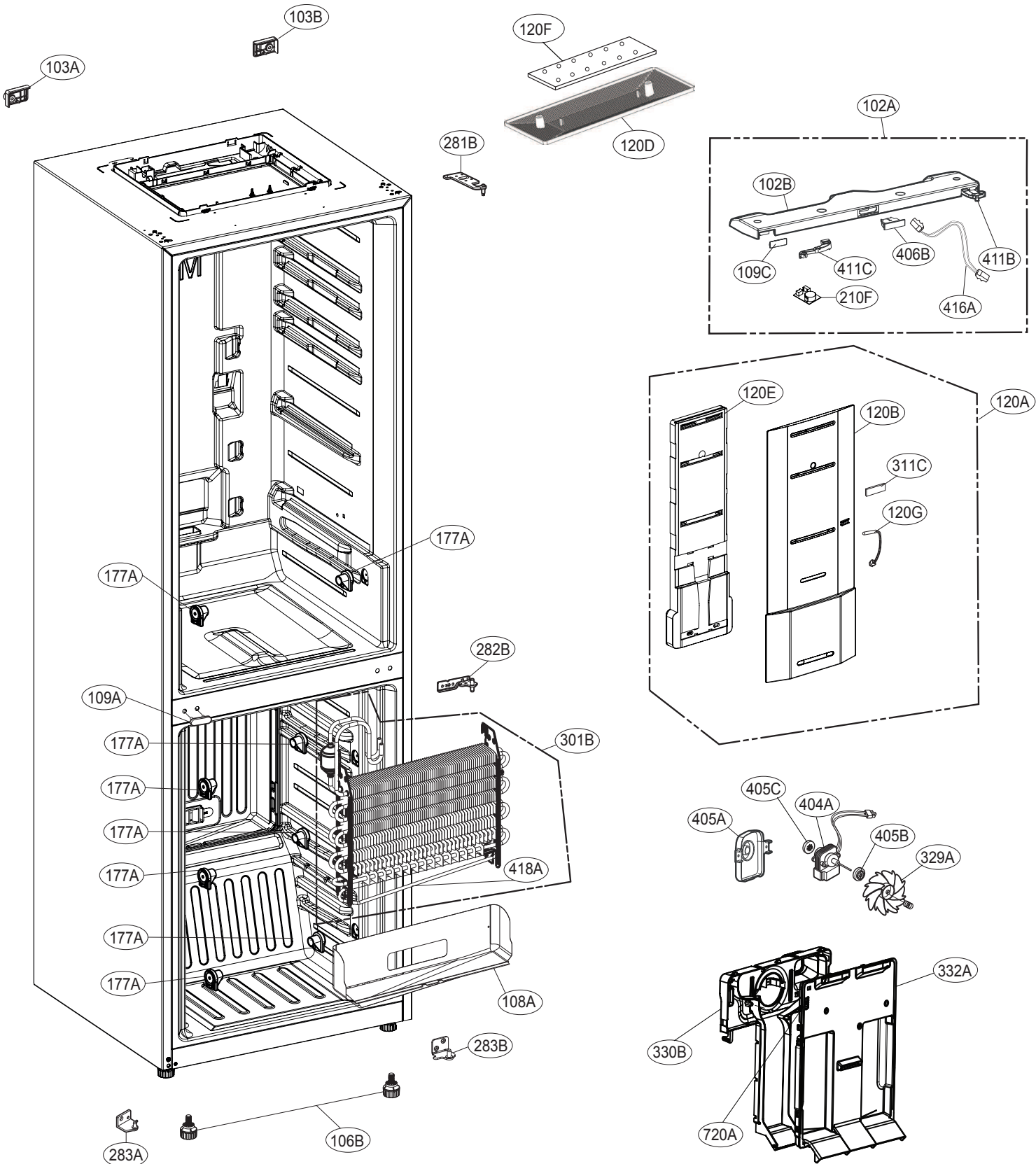
MODEL :



COLOR :

EXPLODED VIEW

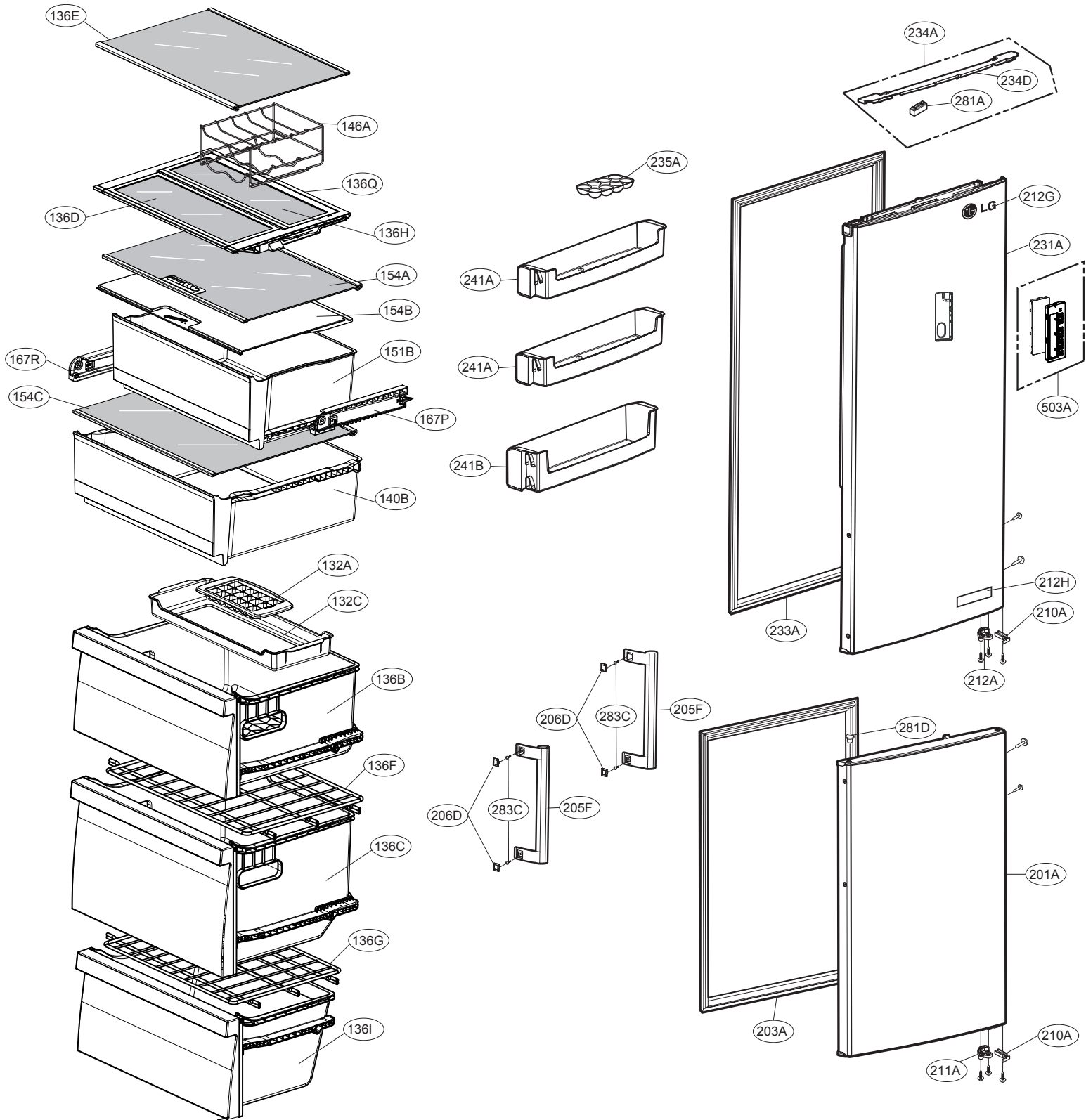
Ref. No : GB*59**KZ, GB*59**FZ,



► The parts of refrigerator and the shape of each part are subject to change in different localities.

EXPLODED VIEW

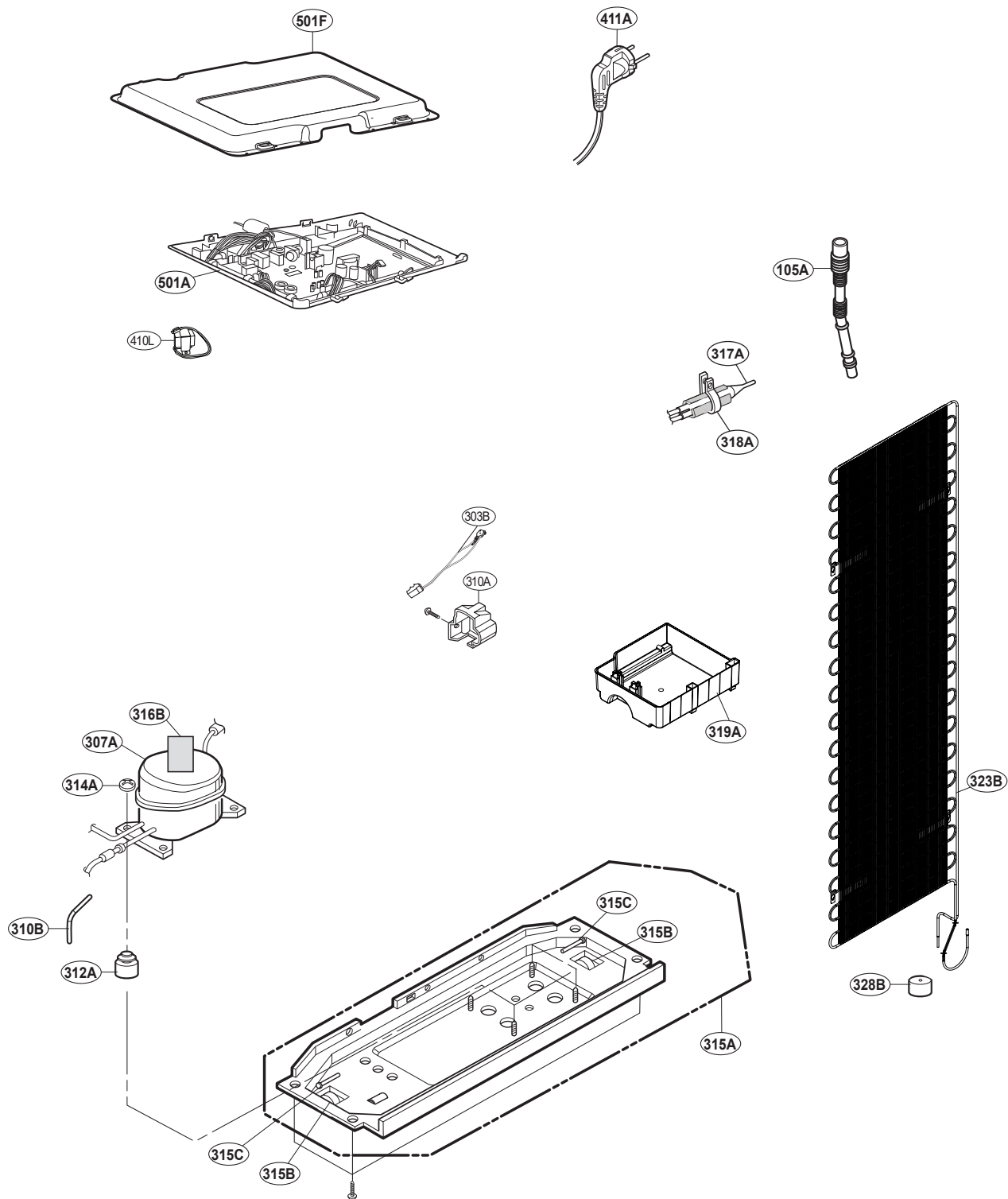
Ref. No : GBB59**FZB



► The parts of refrigerator and the shape of each part are subject to change in different localities.

EXPLODED VIEW

Ref. No: GB*59***Z*



► The parts of refrigerator and the shape of each part are subject to change in different localities.



P/No. MFL69407201

FEB., 2016 Printed in Poland